



US00D581174S

(12) **United States Design Patent**
Beckerman

(10) **Patent No.:** **US D581,174 S**

(45) **Date of Patent:** **** Nov. 25, 2008**

(54) **ROCKING CHAIR**

D526,033 S * 8/2006 Van Straaten et al. D21/688

(76) Inventor: **Laurie Ellen Beckerman**, 500 Second Ave., Suite 19E, New York, NY (US) 10016

* cited by examiner

Primary Examiner—Mimosa De
(74) *Attorney, Agent, or Firm*—Cahn & Samuels, LLP

(**) Term: **14 Years**

(57) **CLAIM**

(21) Appl. No.: **29/306,672**

The ornamental design for a rocking chair, as shown and described.

(22) Filed: **Apr. 14, 2008**

(51) **LOC (8) Cl.** **06-01**

DESCRIPTION

(52) **U.S. Cl.** **D6/346; D6/348; D6/375**

FIG. 1 is a perspective view of the rocking chair according to the present invention.

(58) **Field of Classification Search** D6/334–336, D6/344, 346, 348, 370, 374, 375, 376, 379, D6/380, 500–502; 297/244, 258.1, 271.5, 297/271.6, 272.1; D21/412, 688

FIG. 2 is a side view of the rocking chair according to the present invention.

See application file for complete search history.

FIG. 3 is a top view of the rocking chair according to the present invention.

FIG. 4 is a bottom view of the rocking chair according to the present invention.

(56) **References Cited**

U.S. PATENT DOCUMENTS

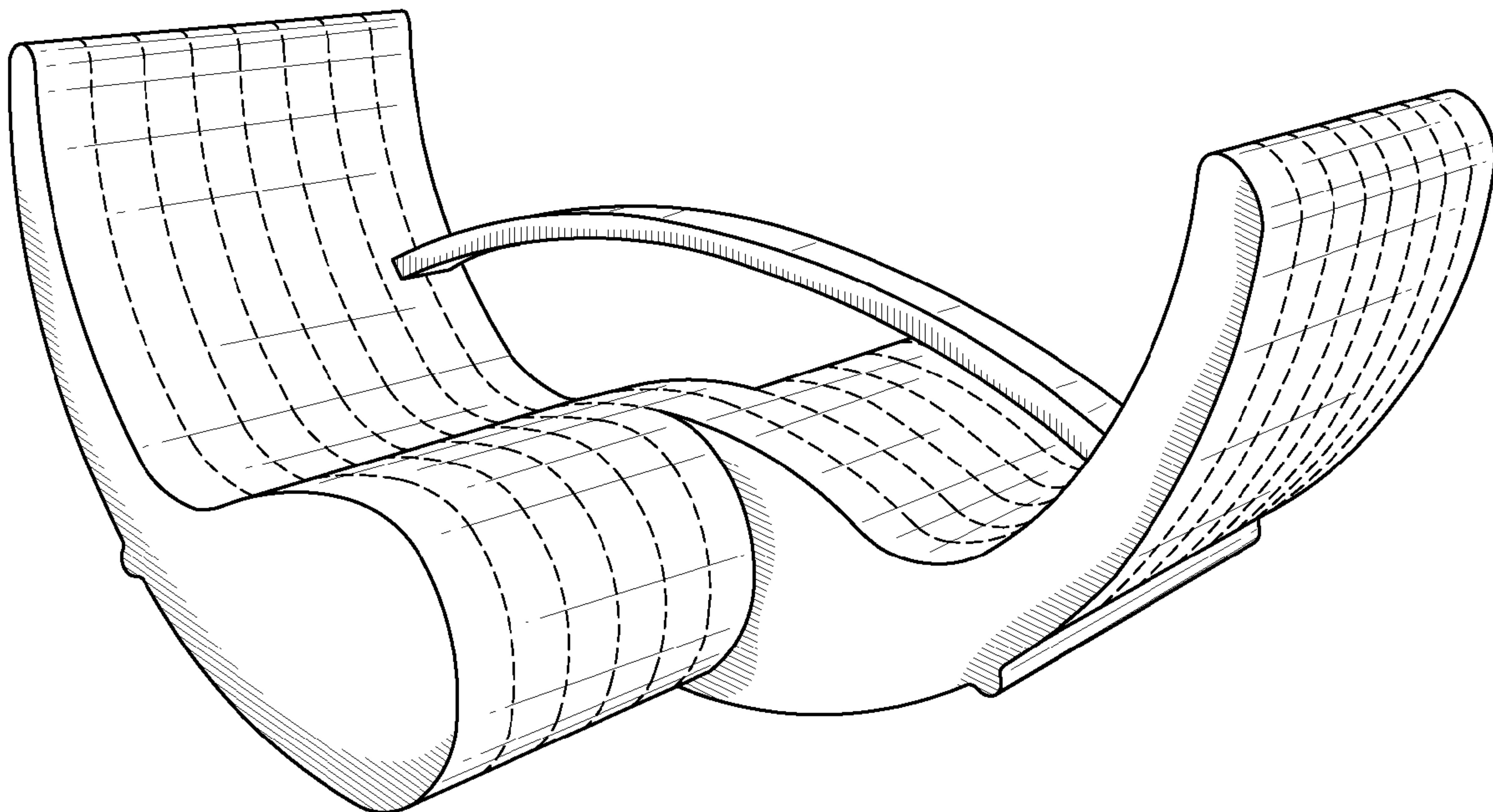
- 464,142 A * 12/1891 Pooley 297/244
- 3,804,459 A * 4/1974 Nose 297/271.6
- 4,109,960 A * 8/1978 Stinchfield 297/271.5
- 4,258,952 A * 3/1981 Dutra 297/271.5
- D315,643 S * 3/1991 Wade Guy D6/334
- D360,665 S * 7/1995 Hatfield D21/688
- D374,695 S * 10/1996 Hatfield D21/412

FIG. 5 is a front view of the rocking chair according to the present invention; and,

FIG. 6 is a rear view of the rocking chair according to the present invention.

The broken lines shown in the drawing are not part of the claimed design.

1 Claim, 4 Drawing Sheets



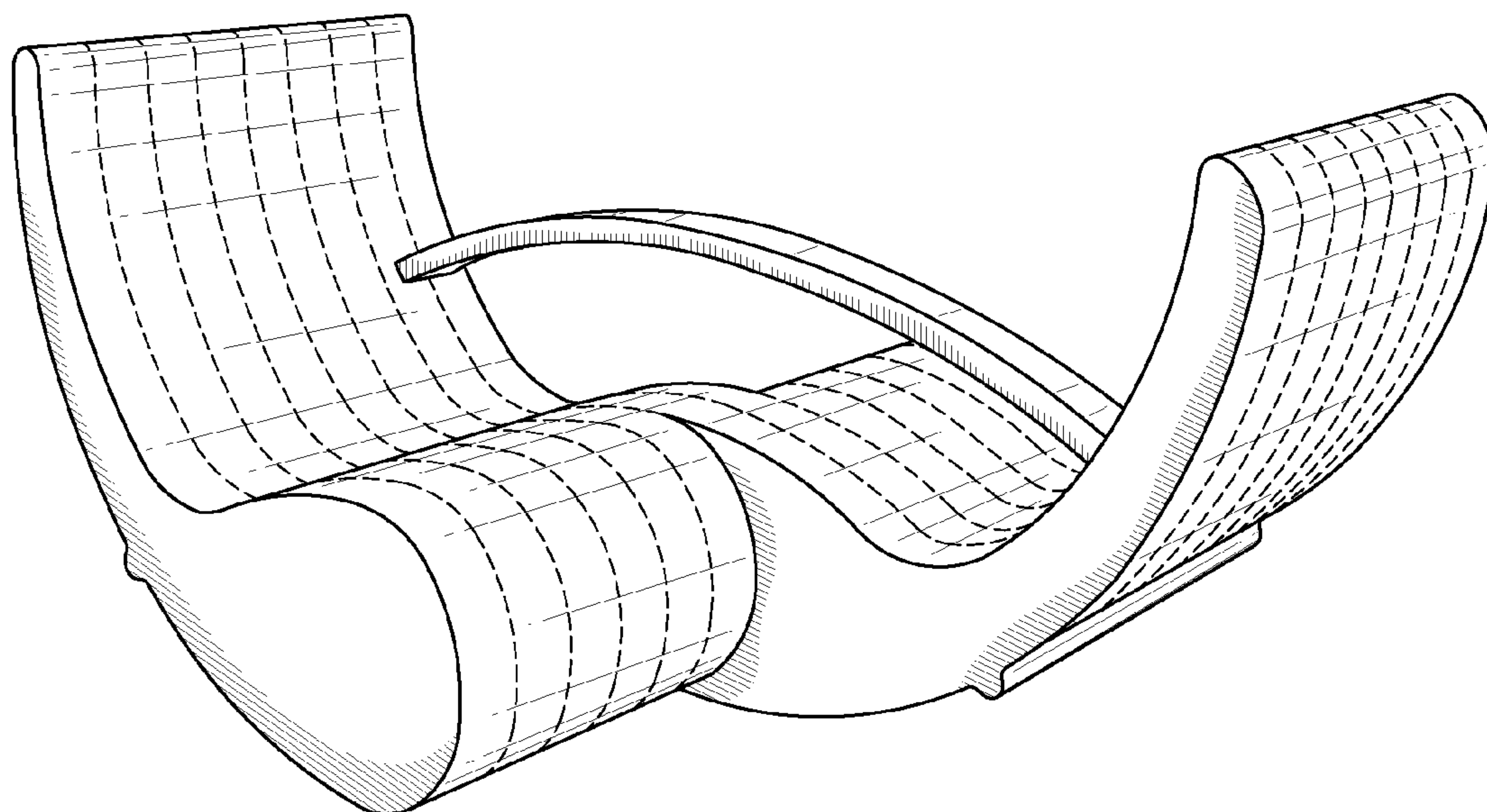


FIG. 1

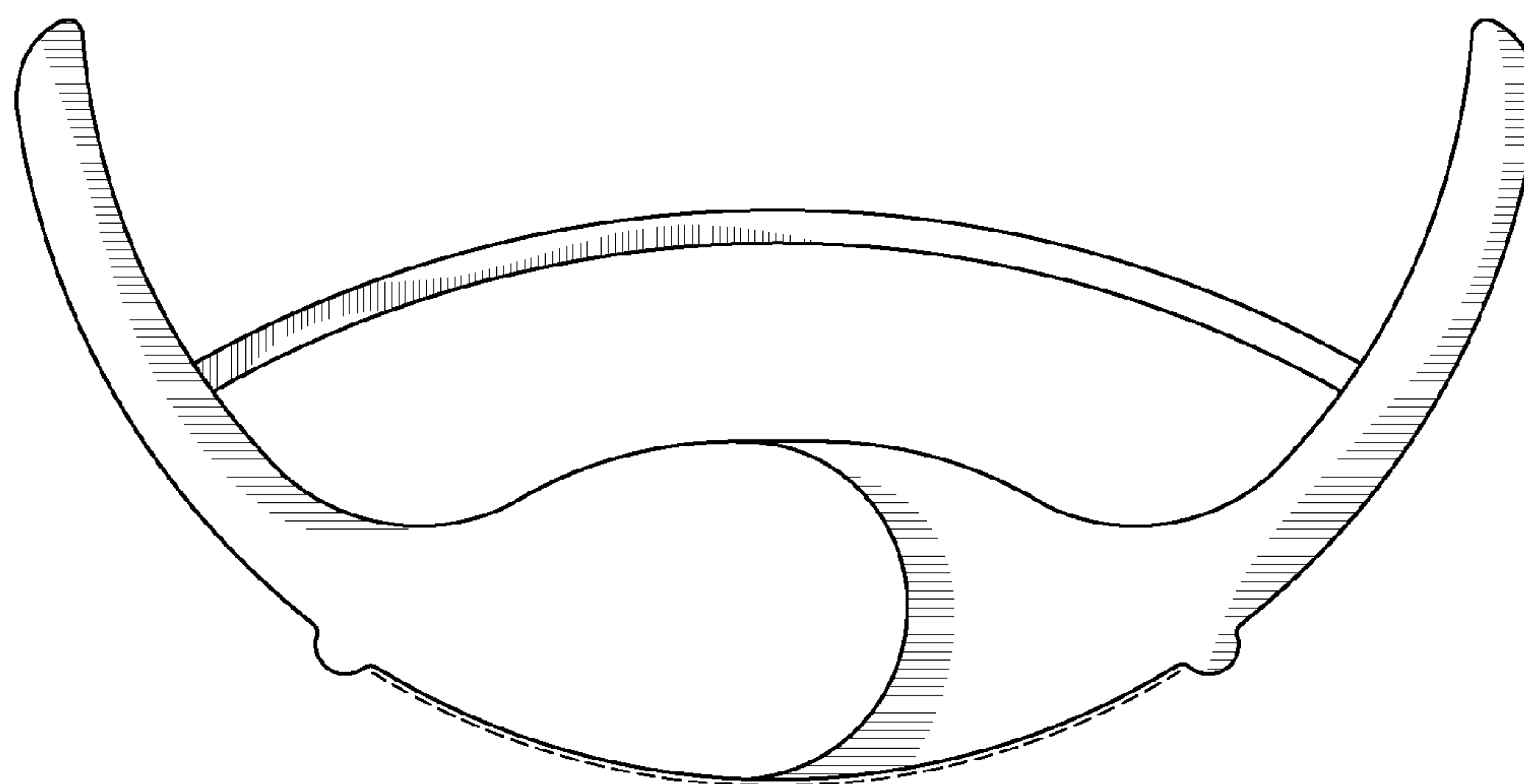


FIG. 2

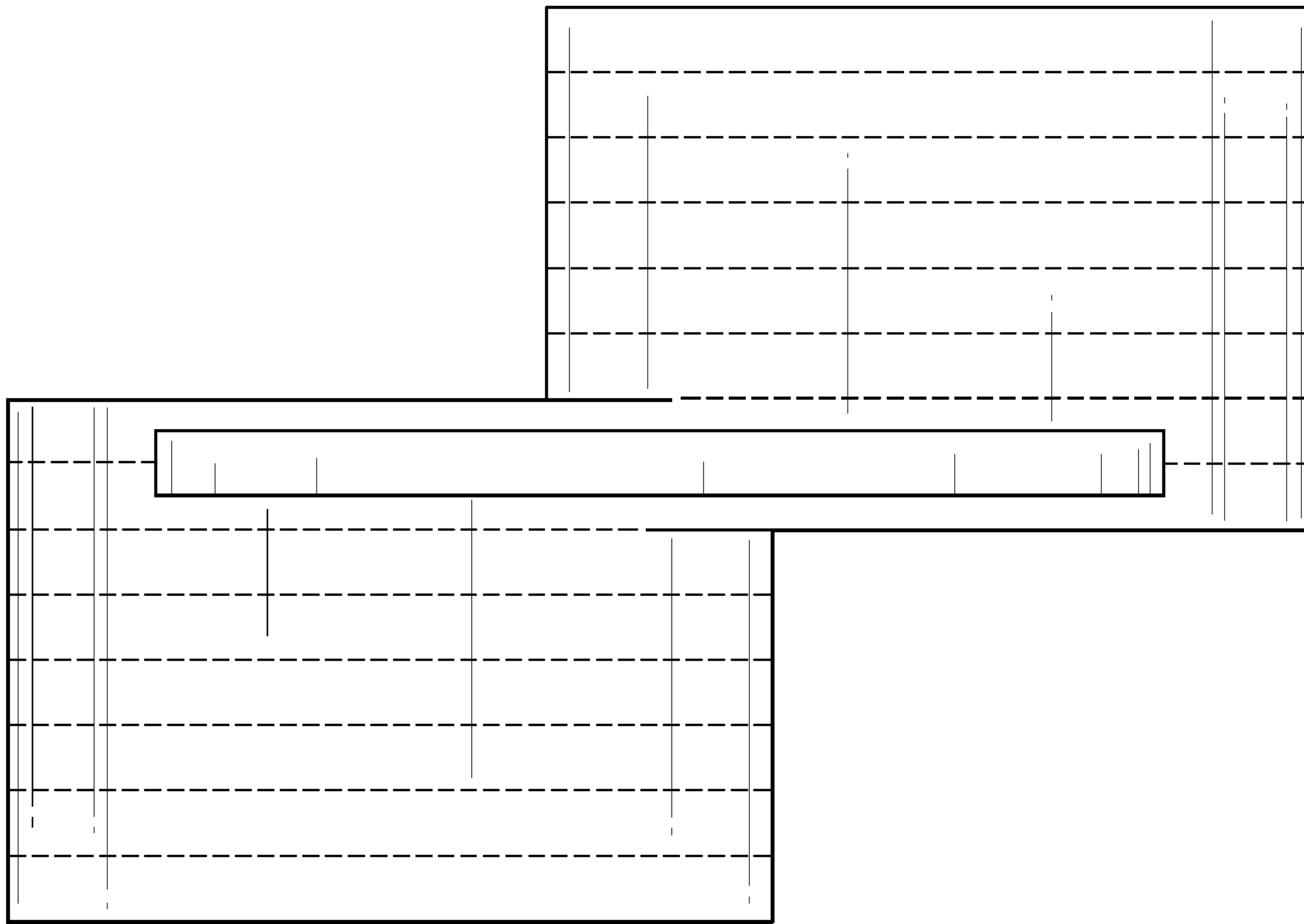


FIG. 3

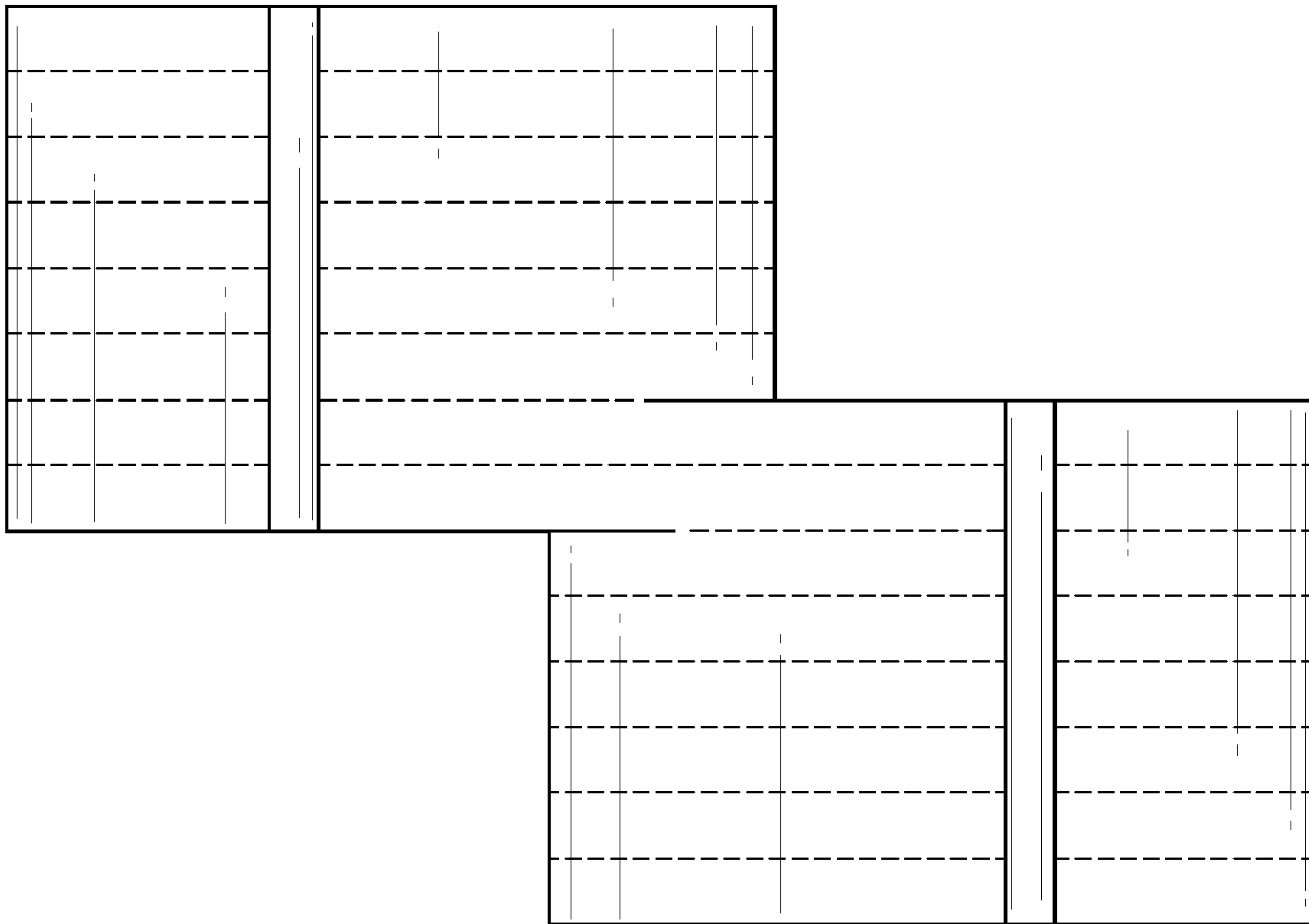


FIG. 4

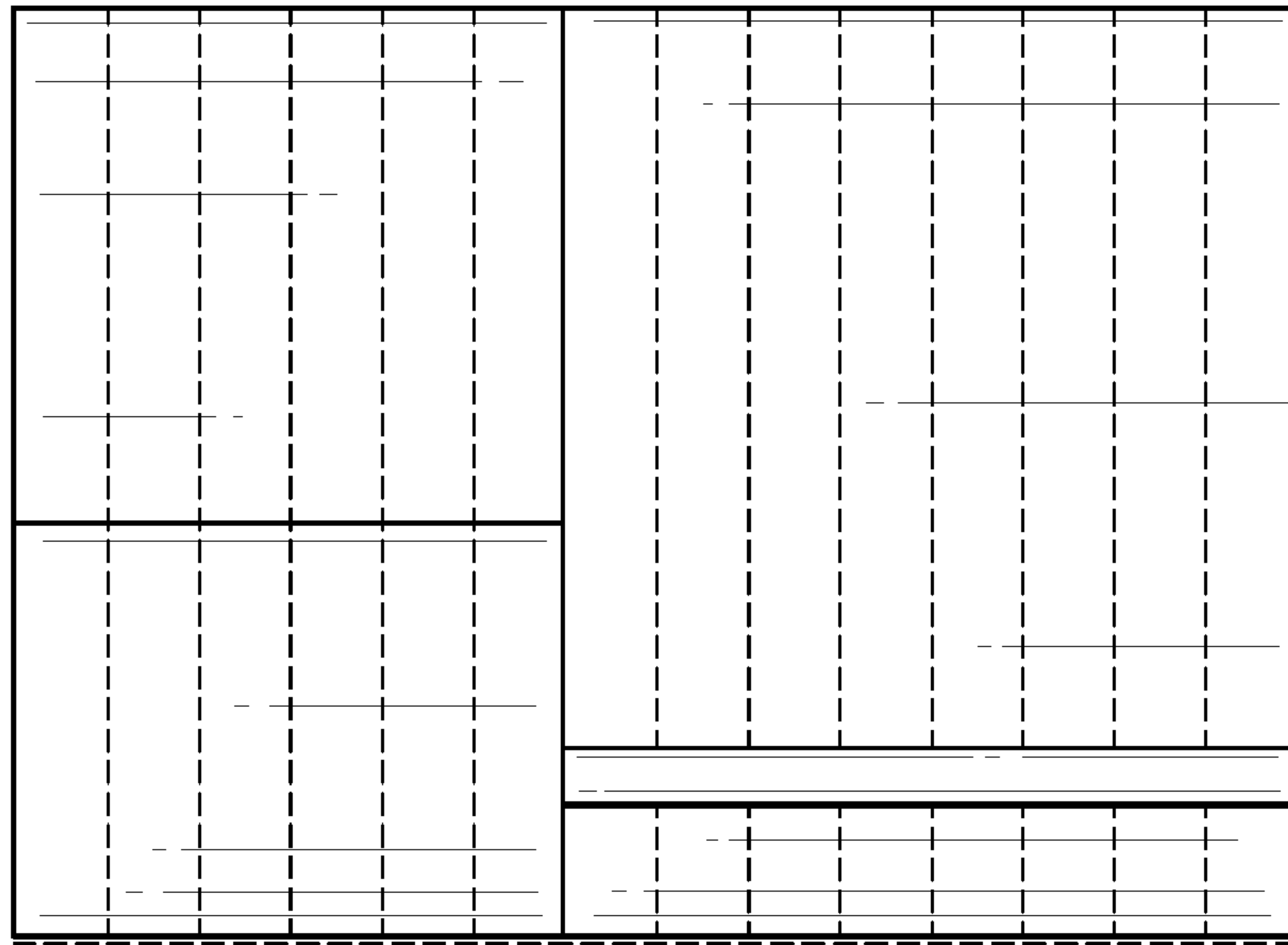


FIG. 5

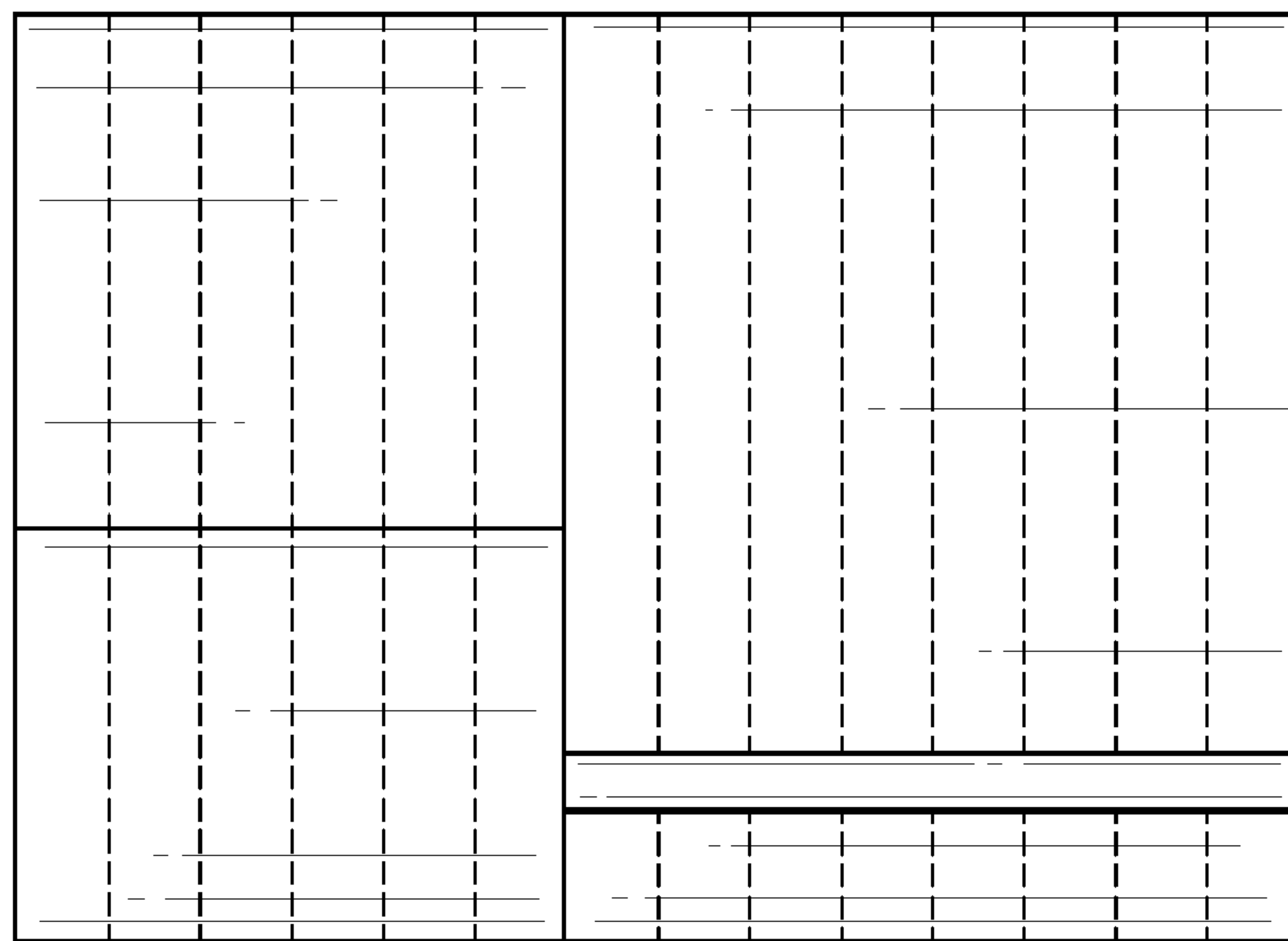


FIG. 6