



US00D581173S

(12) **United States Design Patent**
Skalka

(10) **Patent No.:** **US D581,173 S**
(45) **Date of Patent:** **** Nov. 25, 2008**

(54) **TABLE AND BENCH SET**

(75) Inventor: **Gerald Skalka**, Potomac, MD (US)

(73) Assignee: **Victor Stanley, Inc.**, Dunkirk, MD (US)

(**) Term: **14 Years**

(21) Appl. No.: **29/294,019**

(22) Filed: **Dec. 21, 2007**

(51) **LOC (8) Cl.** **06-01**

(52) **U.S. Cl.** **D6/337**

(58) **Field of Classification Search** D6/334-338,
D6/360, 367, 374, 375, 482, 491, 495, 500-502;
297/83, 157.1, 158.3, 170, 184.16, 188.14,
297/244, 423.19; 5/12.1, 12.2; D21/803
See application file for complete search history.

(56) **References Cited**

U.S. PATENT DOCUMENTS

D67,030	S	4/1925	Haase	
2,722,971	A *	11/1955	Gallagher et al.	297/158.5
2,746,525	A *	5/1956	Cooper	297/158.5
D214,042	S	5/1969	Henebry	
D225,194	S	11/1972	Ruth	
D231,963	S *	7/1974	Palmer	D6/337
D232,673	S *	9/1974	Taylor	D6/337
D235,394	S *	6/1975	Ruth	D6/337
D299,595	S	1/1989	Shields	
D336,796	S	6/1993	Chang	
D365,937	S	1/1996	Skalka	
D386,012	S	11/1997	Skalka	
D396,358	S	7/1998	Geier	
D416,693	S *	11/1999	Kovalchek	D6/337
D442,788	S *	5/2001	Nye et al.	D6/337
D453,424	S	2/2002	Stewart	
D457,738	S	5/2002	Slear et al.	
D481,211	S	10/2003	Chipman	

(Continued)

Primary Examiner—Sandra Snapp

(74) *Attorney, Agent, or Firm*—Jacobson Holman PLLC

(57) **CLAIM**

The ornamental design for a table and bench set, as shown and described.

DESCRIPTION

FIG. 1 is an isometric view of a first embodiment of a table and bench set showing my new design.

FIG. 2 is a top plan view of the table and bench set of FIG. 1.

FIG. 3 is a right side elevational view of the table and bench set of FIG. 1, the left side elevational view being a mirror image thereof.

FIG. 4 is a bottom plan view of the table and bench set of FIG. 1.

FIG. 5 is a front elevational view of the table and bench set of FIG. 1, the back elevational view being a mirror image thereof.

FIG. 6 is an isometric view of a second embodiment of a table and bench set showing my new design.

FIG. 7 is a top plan view of the table and bench set of FIG. 6.

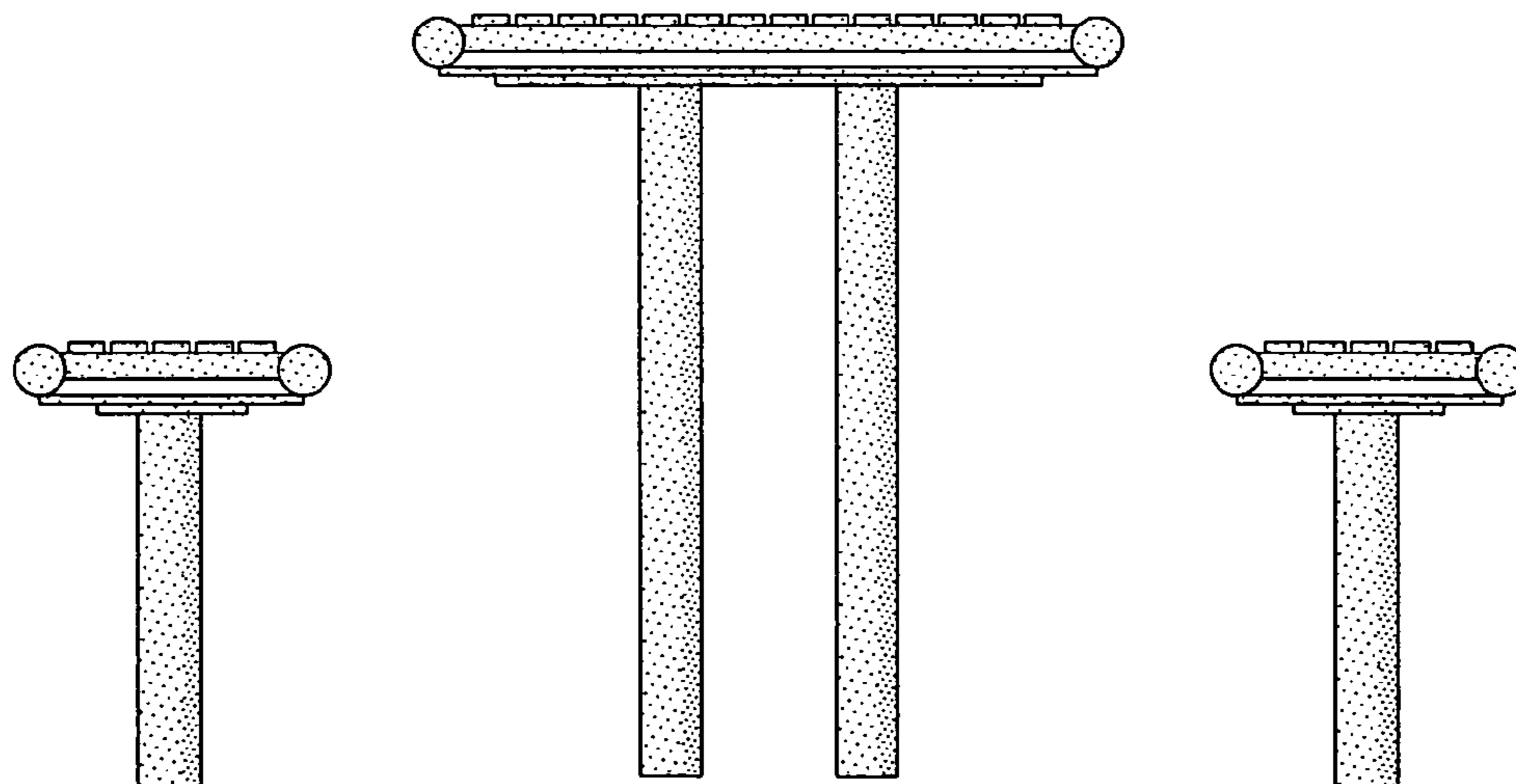
FIG. 8 is a right side elevational view of the table and bench set of FIG. 6, the left side elevational view being a mirror image thereof.

FIG. 9 is a bottom plan view of the table and bench set of FIG. 6; and,

FIG. 10 is a front elevational view of the table and bench set of FIG. 6, the back elevational view being a mirror image thereof.

The table and bench set is shown broken-away transversely in the various views to indicate that a specific length forms no part of the claimed design.

1 Claim, 6 Drawing Sheets



US D581,173 S

Page 2

U.S. PATENT DOCUMENTS

D489,539 S	*	5/2004	Thomas et al.	D6/337	D522,775 S	6/2006	Skalka
D490,992 S	*	6/2004	Thomas et al.	D6/337	D523,650 S	6/2006	Skalka
D493,291 S	*	7/2004	Thomas et al.	D6/337	D526,805 S	8/2006	Skalka
D496,799 S	*	10/2004	Thomas et al.	D6/337	D532,620 S	11/2006	Skalka
D497,262 S	*	10/2004	Thomas et al.	D6/337	D536,184 S	2/2007	Skalka
D503,552 S		4/2005	Messier		7,252,331 B1	8/2007	Walton
D506,631 S	*	6/2005	Astle	D6/511	D556,362 S	11/2007	Pfund et al.
D510,199 S		10/2005	Messier		D559,569 S	1/2008	Pappas
D521,763 S		5/2006	Wilmotte		2003/0230912 A1	12/2003	Arnold et al.

* cited by examiner

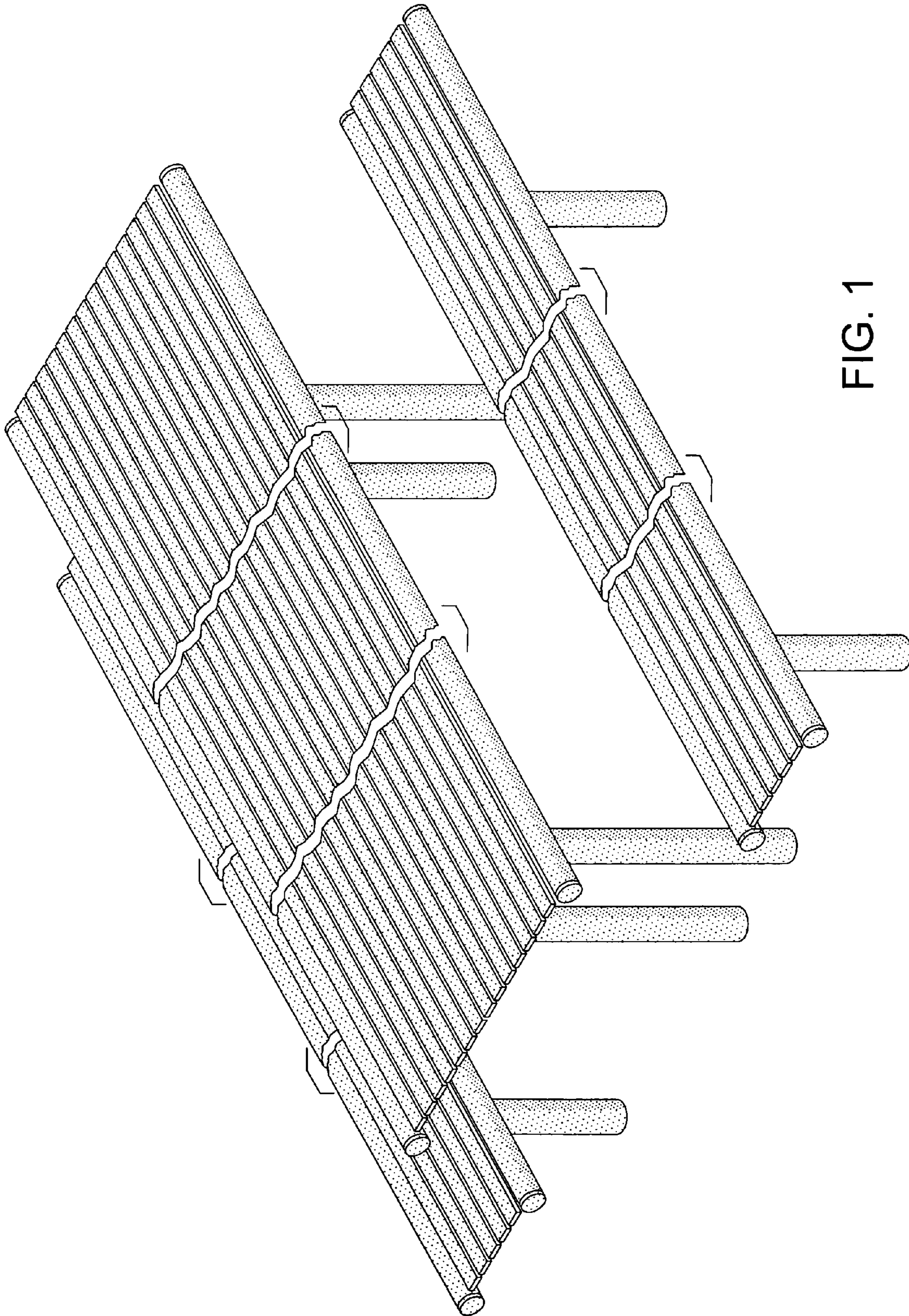


FIG. 1

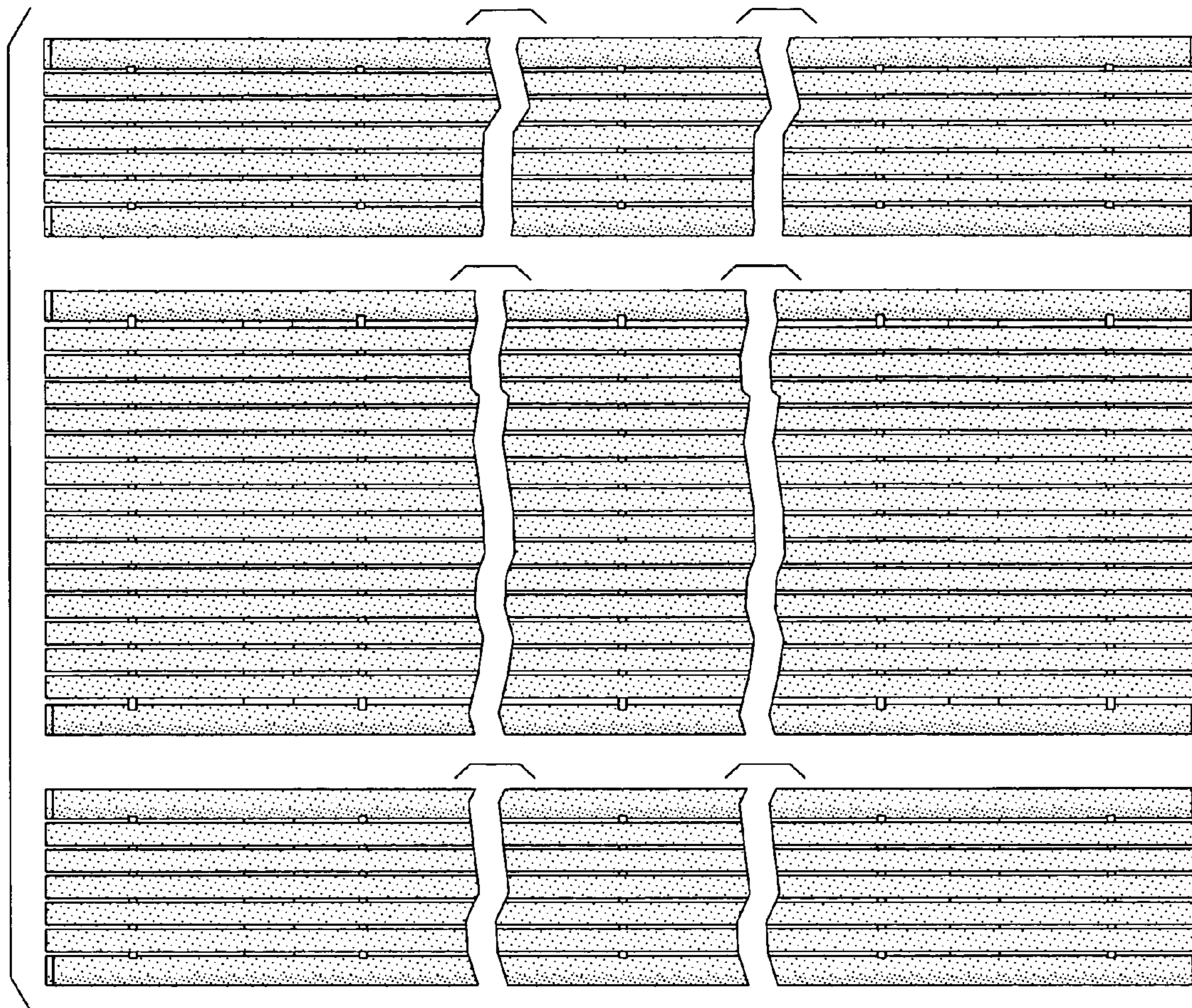


FIG. 2

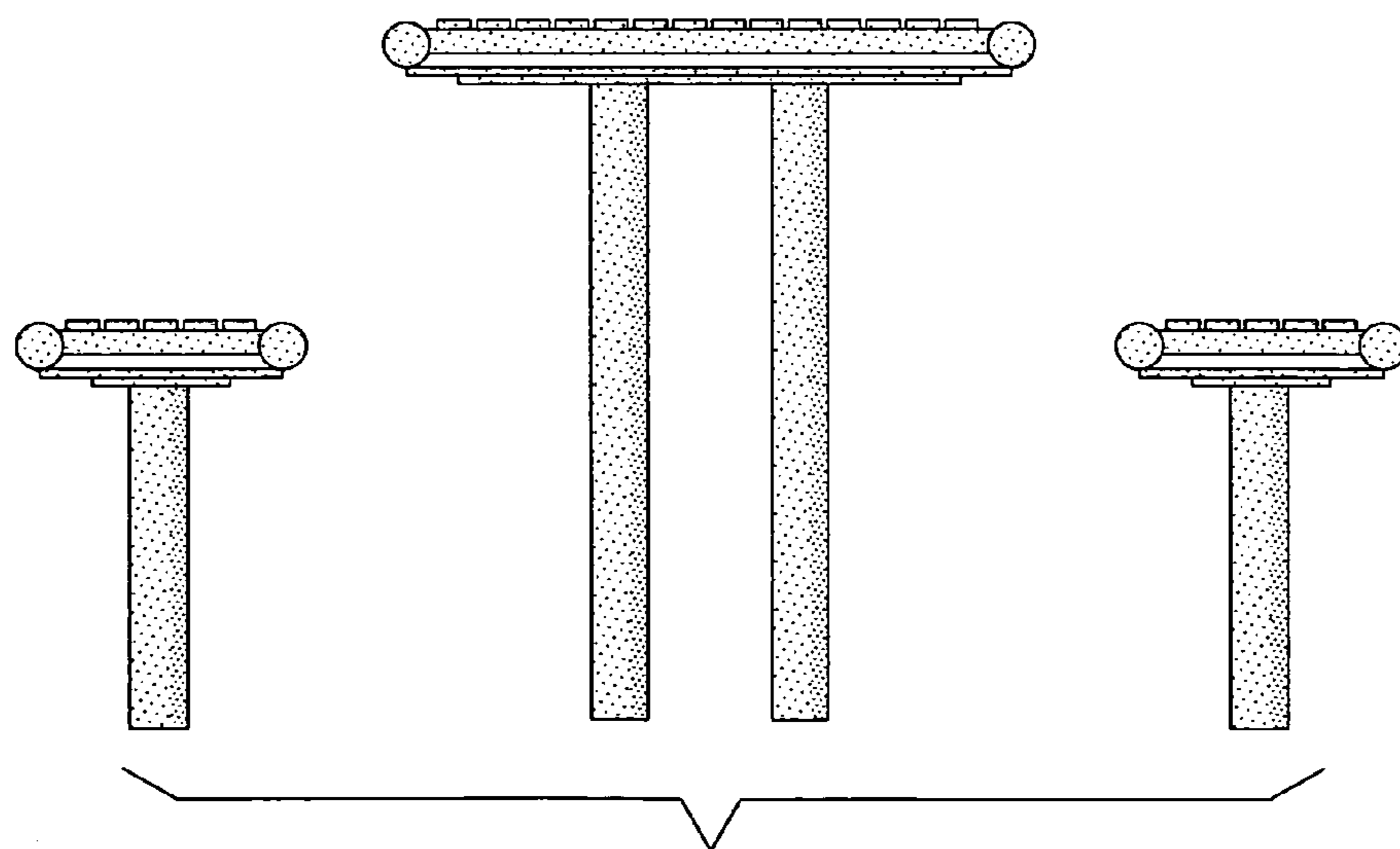


FIG. 3

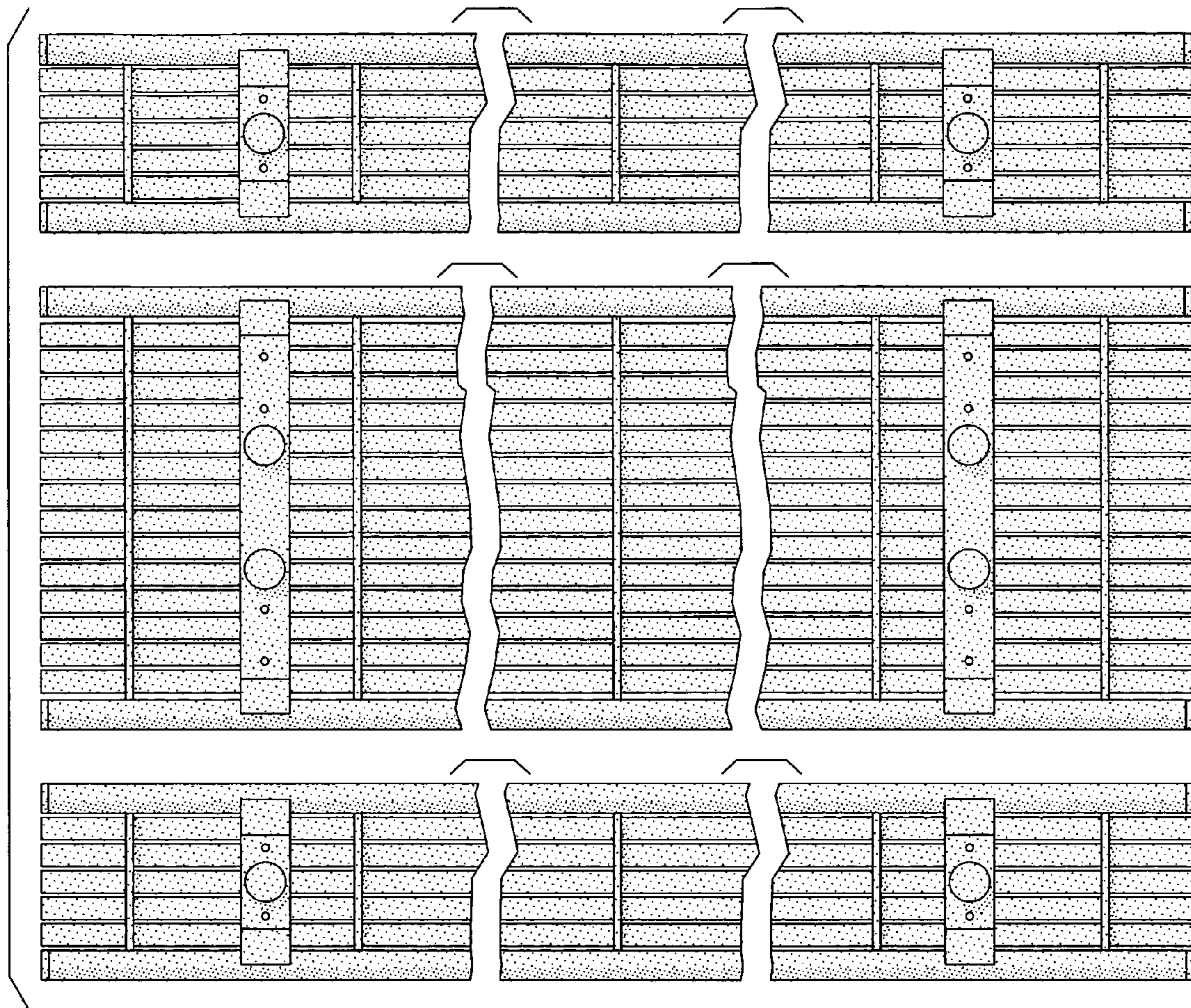


FIG. 4

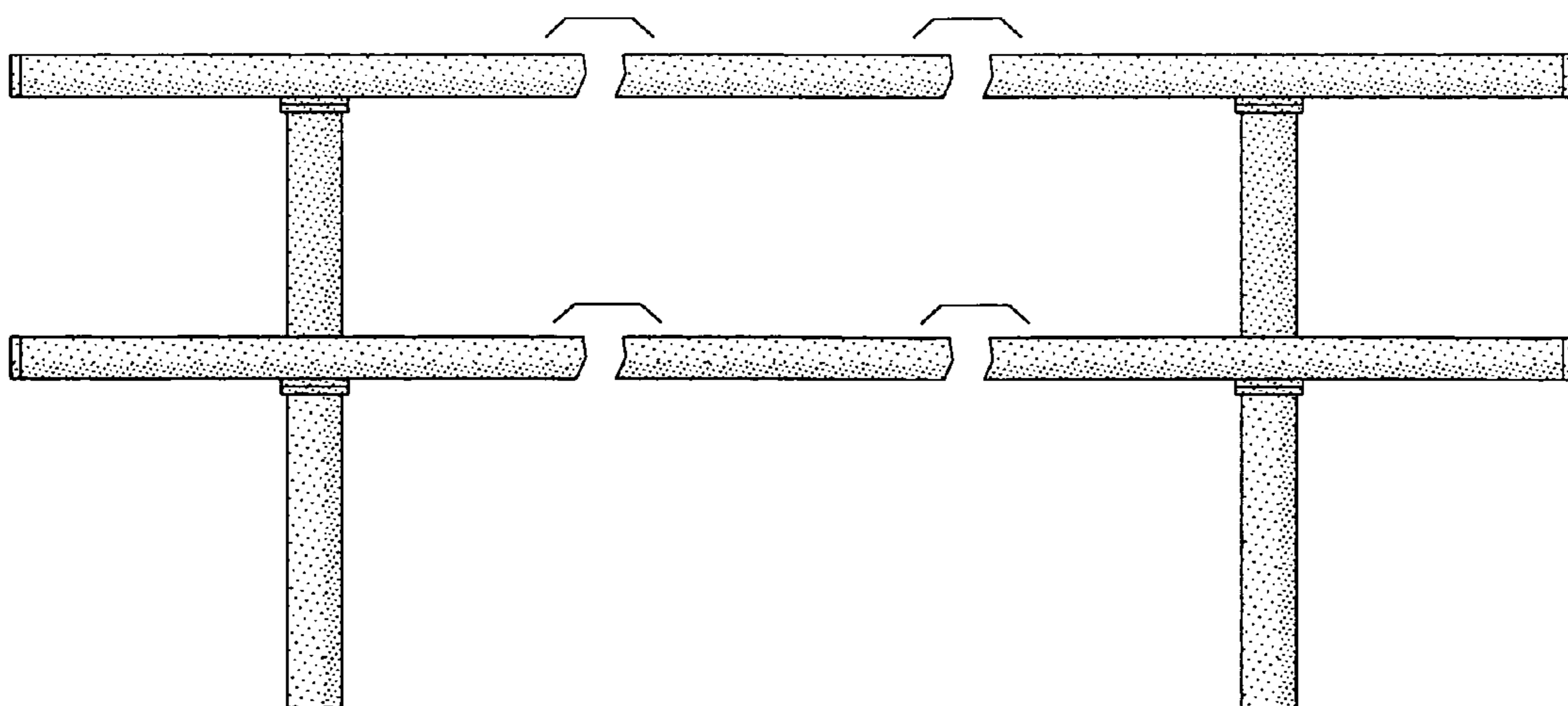


FIG. 5

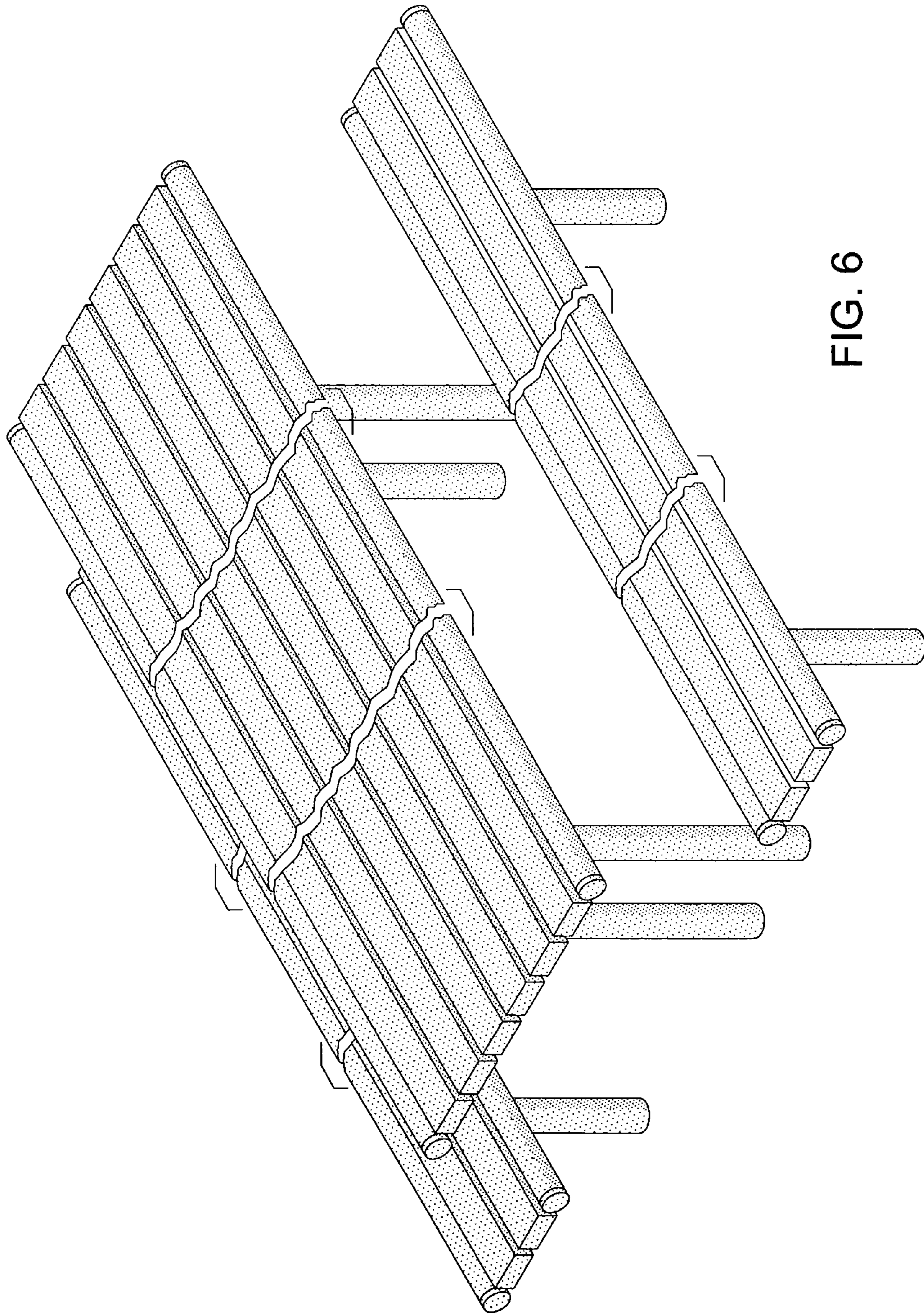


FIG. 6

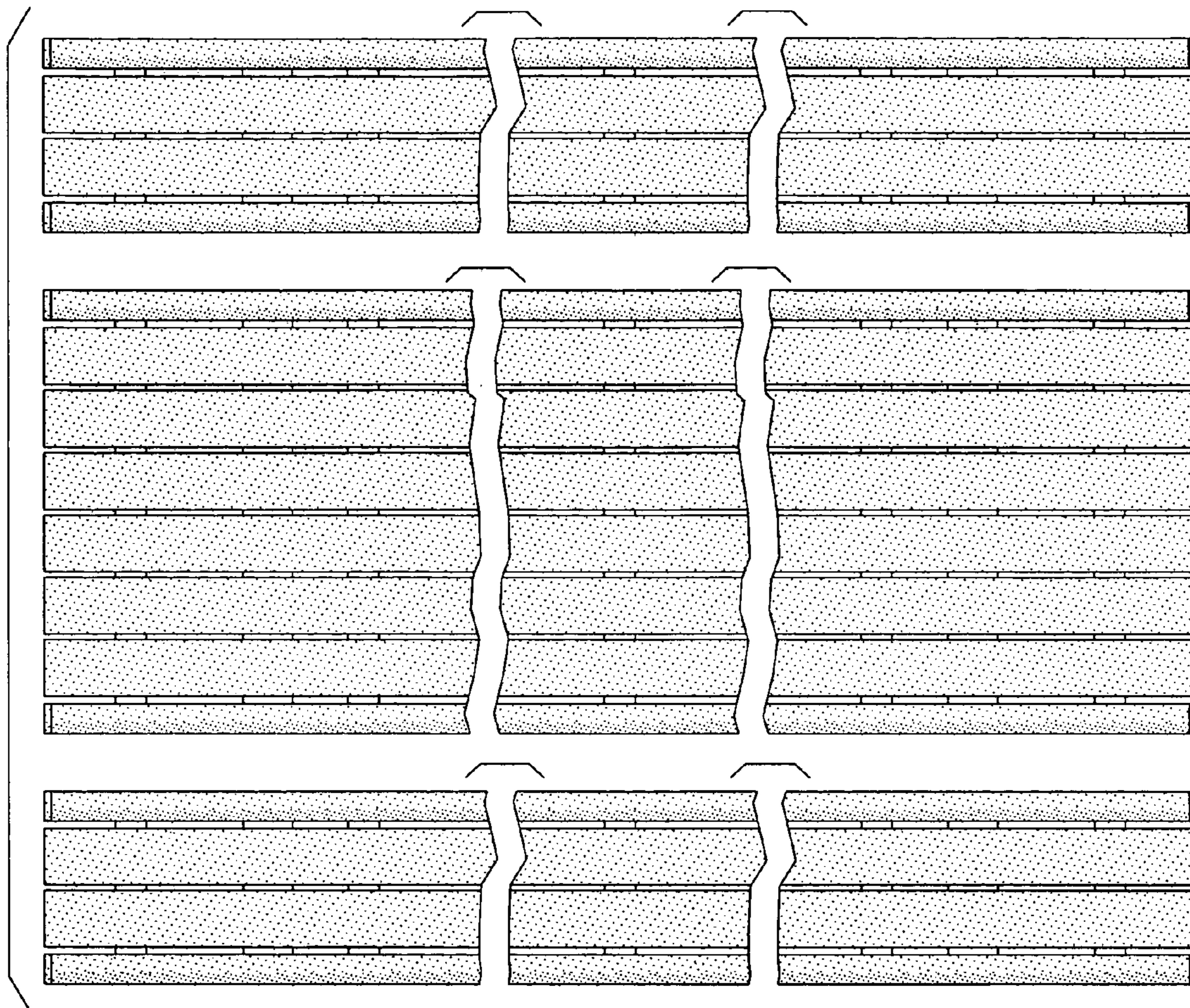


FIG. 7

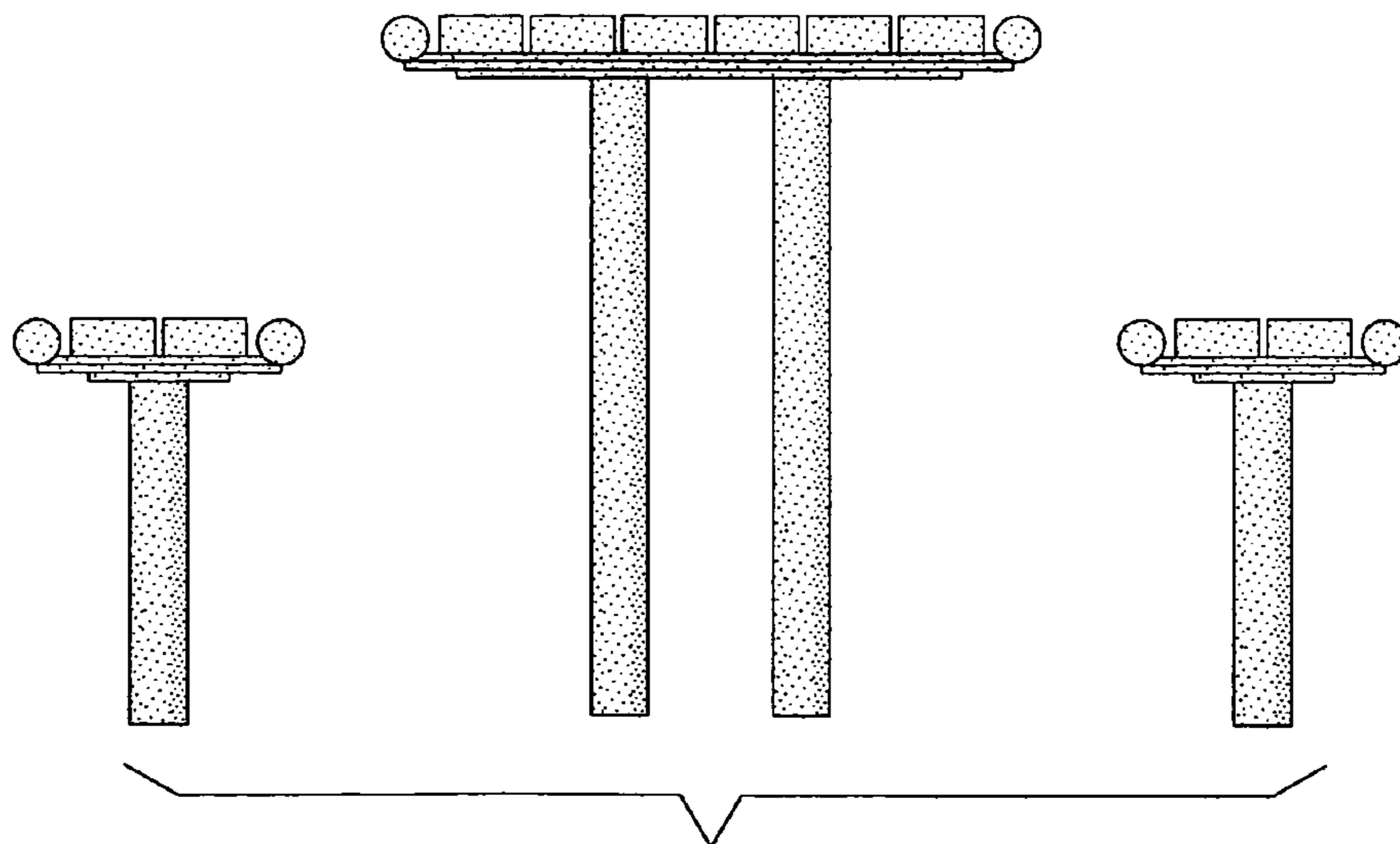


FIG. 8

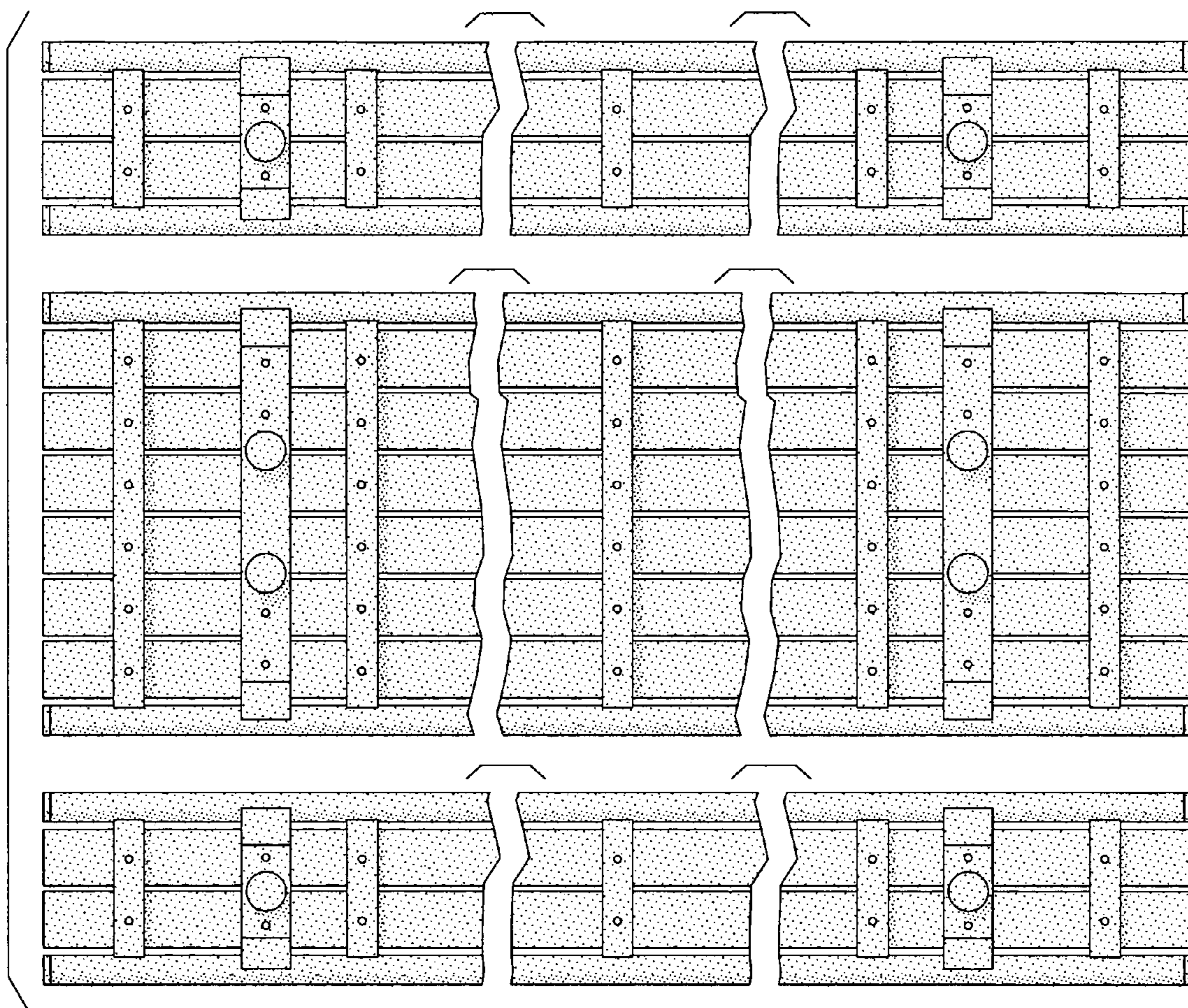


FIG. 9

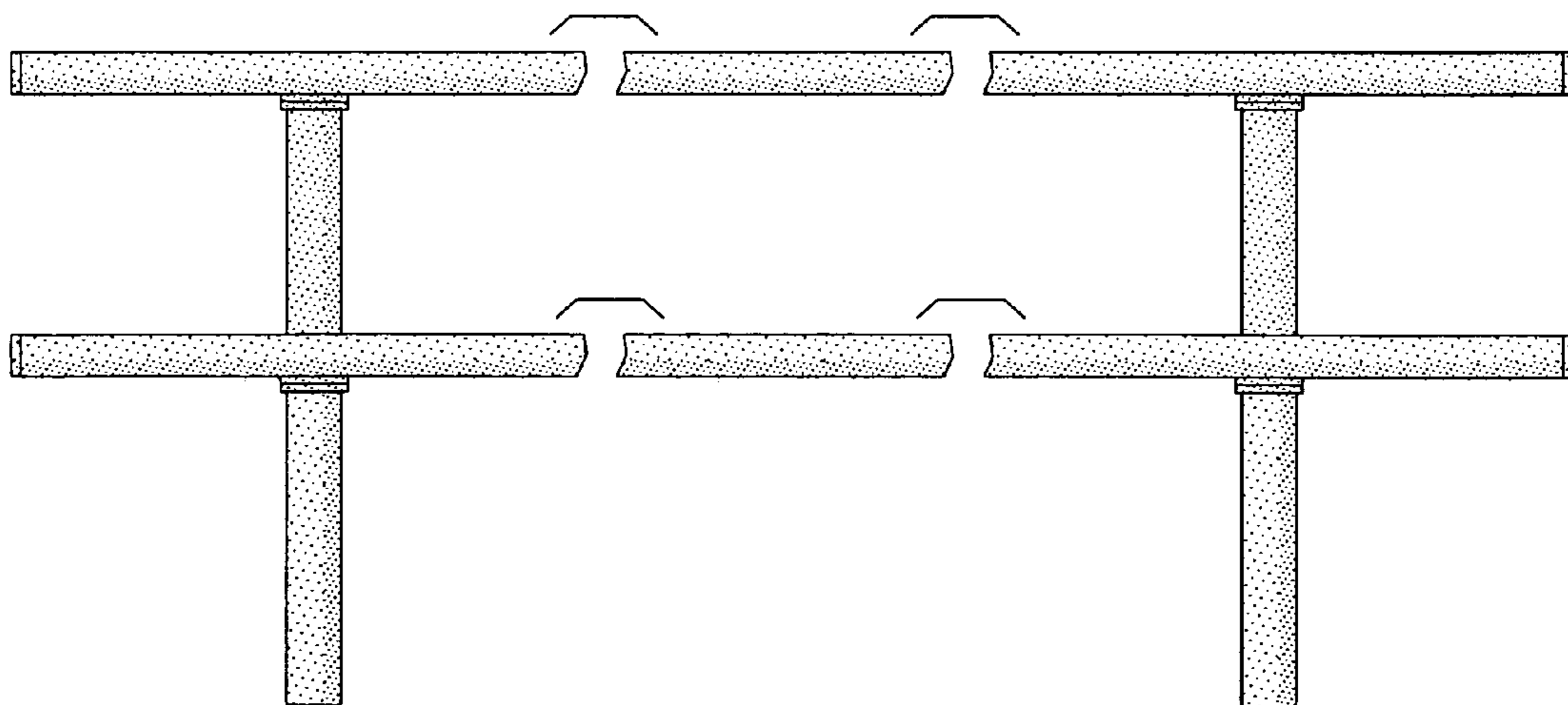


FIG. 10