



US00D581172S

(12) **United States Design Patent**
Kobrinetz

(10) **Patent No.:** **US D581,172 S**
(45) **Date of Patent:** **** Nov. 25, 2008**

(54) **ARMCHAIR FOR BEAUTICIANS**
(75) Inventor: **Anton Kobrinetz**, Castiglione Delle Stiviere (IT)
(73) Assignee: **Gamma & Bross S.p.A.**, Castiglione Delle Stiviere (IT)

(**) Term: **14 Years**

(21) Appl. No.: **29/302,418**

(22) Filed: **Jan. 16, 2008**

(30) **Foreign Application Priority Data**
Jul. 17, 2007 (EM) 000760871

(51) **LOC (8) Cl.** **06-01**
(52) **U.S. Cl.** **D6/336**
(58) **Field of Classification Search** D6/335-338, D6/360-361, 367, 491, 495, 500-502; 297/188.01, 297/423.19, 135, 180.15; D28/56, 61; 4/622; 601/158

See application file for complete search history.

(56) **References Cited**
U.S. PATENT DOCUMENTS

D424,819	S	*	5/2000	Galati et al.	D6/336
D434,916	S	*	12/2000	Galati et al.	D6/336
D454,705	S	*	3/2002	Long et al.	D6/336
D455,017	S	*	4/2002	Tran	D6/336
D455,566	S	*	4/2002	Park	D6/336

D456,154	S	*	4/2002	Huynh et al.	D6/336
6,503,212	B2	*	1/2003	Park	601/158
D498,599	S	*	11/2004	Luong	D6/336
D504,783	S	*	5/2005	Park	D6/336
D505,021	S	*	5/2005	Kim	D6/336
D520,761	S	*	5/2006	Masuda	D6/336
D562,575	S	*	2/2008	Le	D6/336
2004/0060108	A1	*	4/2004	Hoon Park	4/622
2004/0261173	A1	*	12/2004	Chen	4/622
2006/0242760	A1	*	11/2006	Chao	4/622
2007/0226896	A1	*	10/2007	Fugate et al.	4/622

* cited by examiner

Primary Examiner—Sandra Snapp
(74) *Attorney, Agent, or Firm*—Frommer Lawrence & Haug LLP; Ronald R. Santucci

(57) **CLAIM**

The ornamental design for an armchair for beauticians, as shown and described.

DESCRIPTION

FIG. 1 is a front-side perspective view of the armchair for beauticians showing my new design;
FIG. 2 is a front elevation view thereof;
FIG. 3 is a right side elevation view thereof;
FIG. 4 is a left side elevation view thereof;
FIG. 5 is a top plan view thereof; and,
FIG. 6 is a rear elevation view thereof.

1 Claim, 4 Drawing Sheets

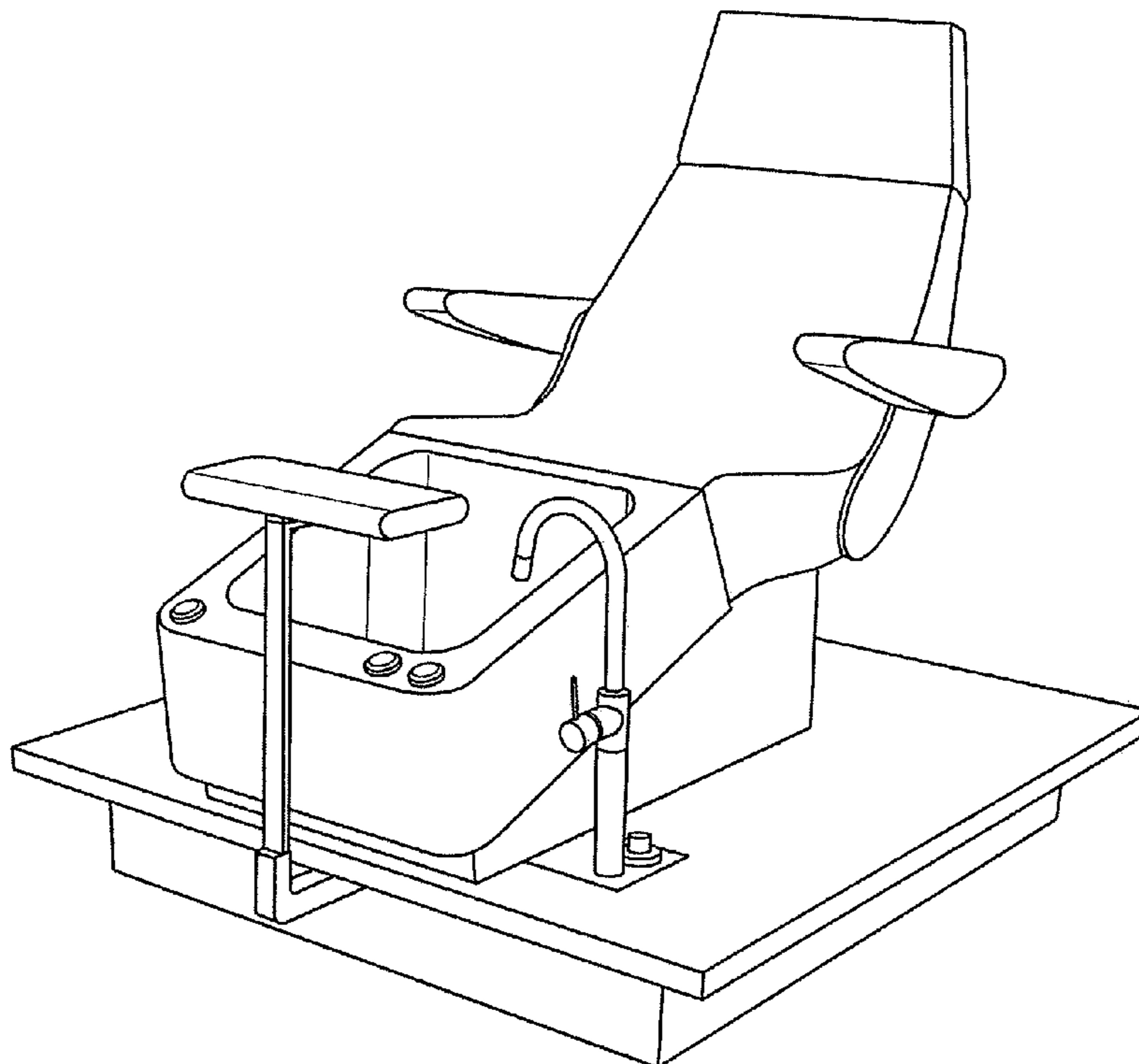


FIGURE 1

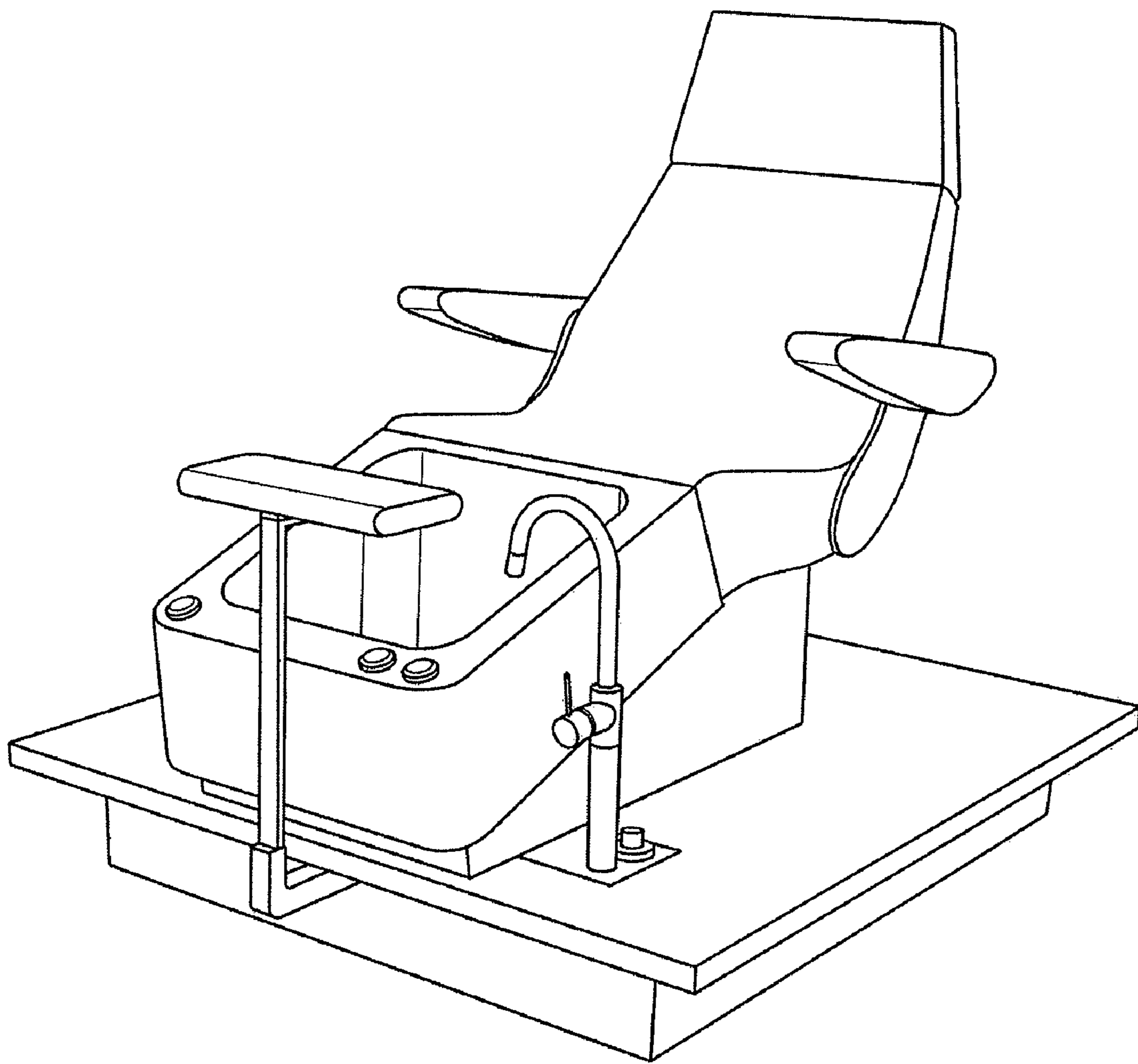


FIGURE 2

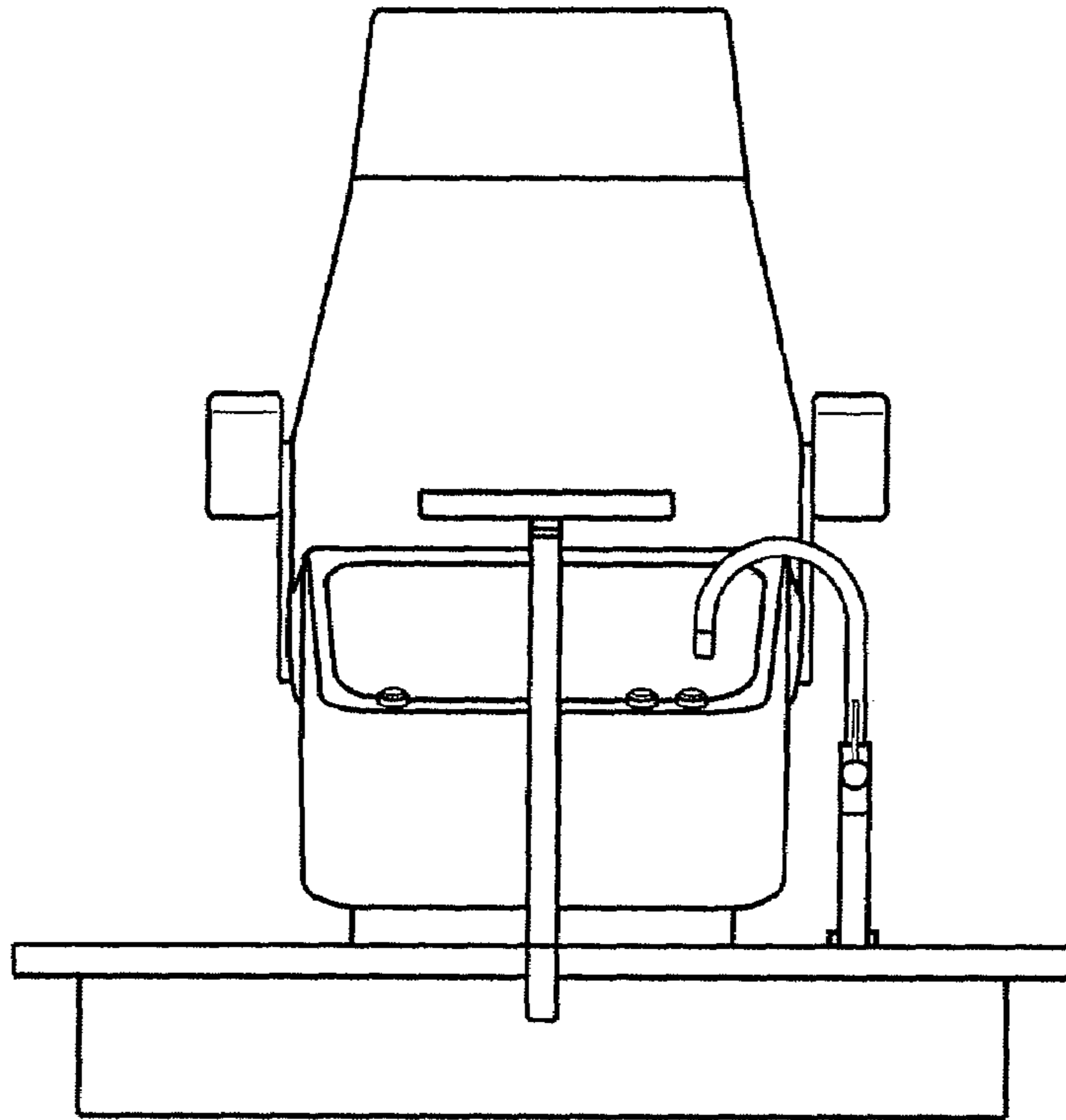


FIGURE 3

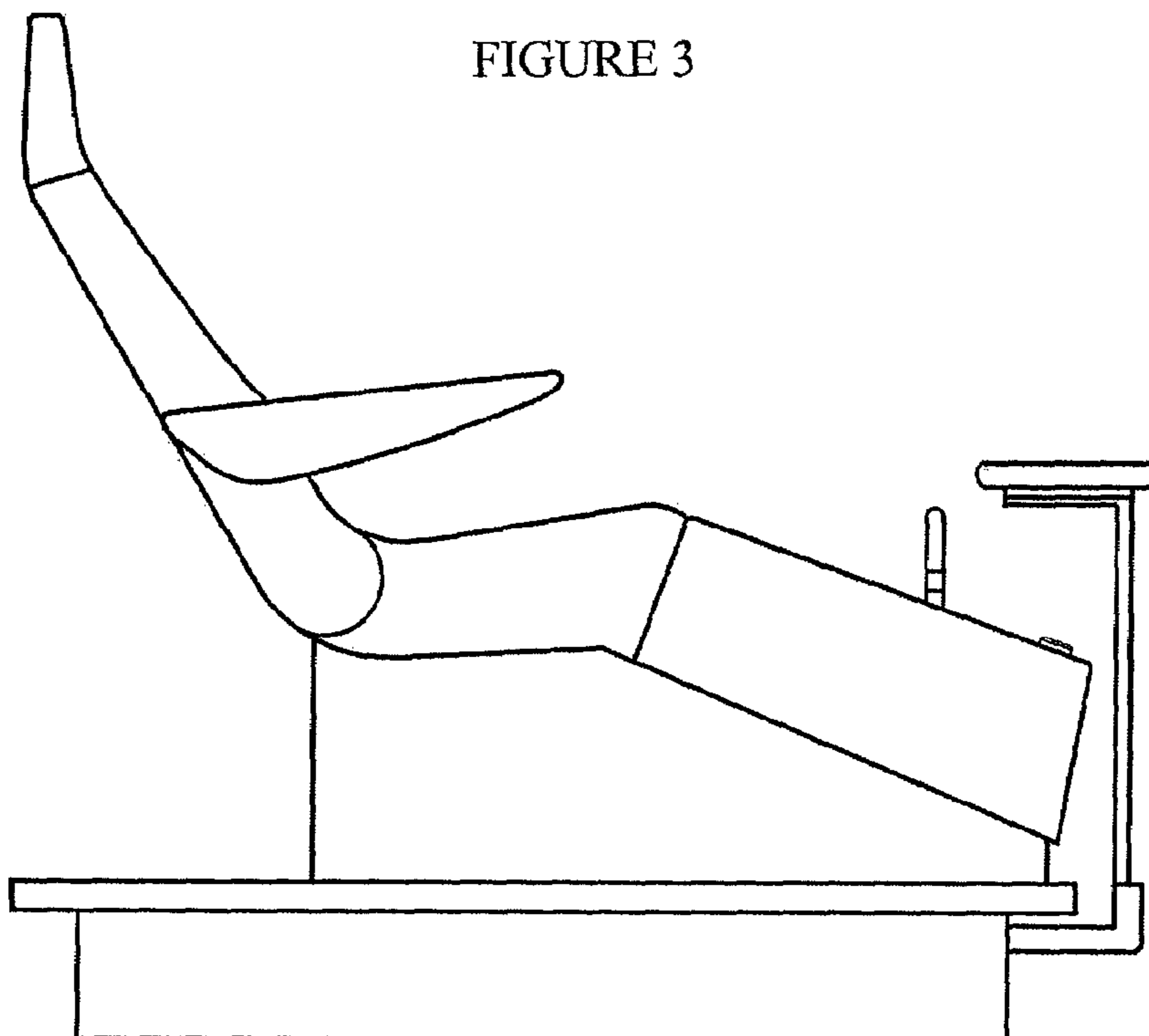


FIGURE 4

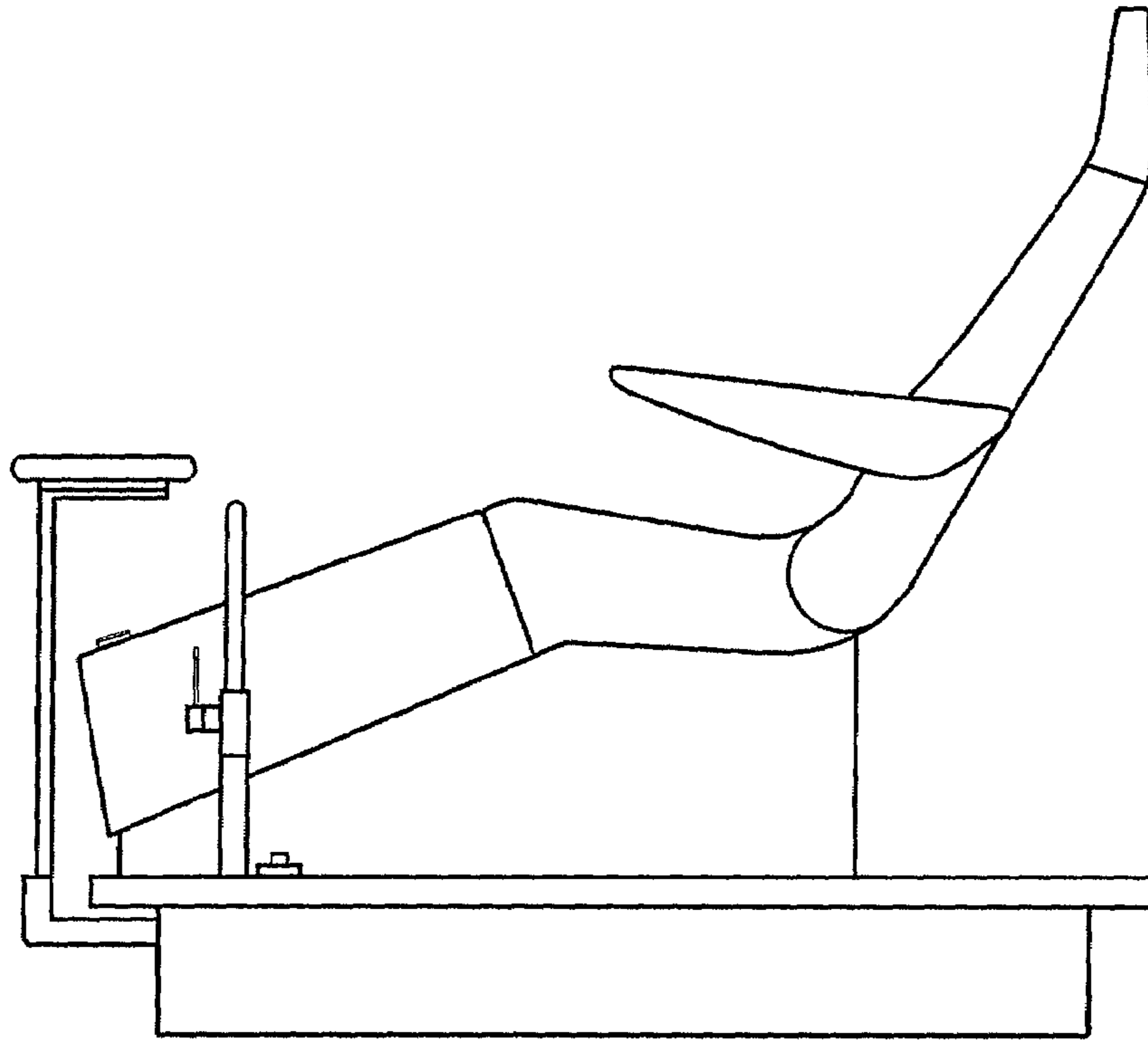


FIGURE 5

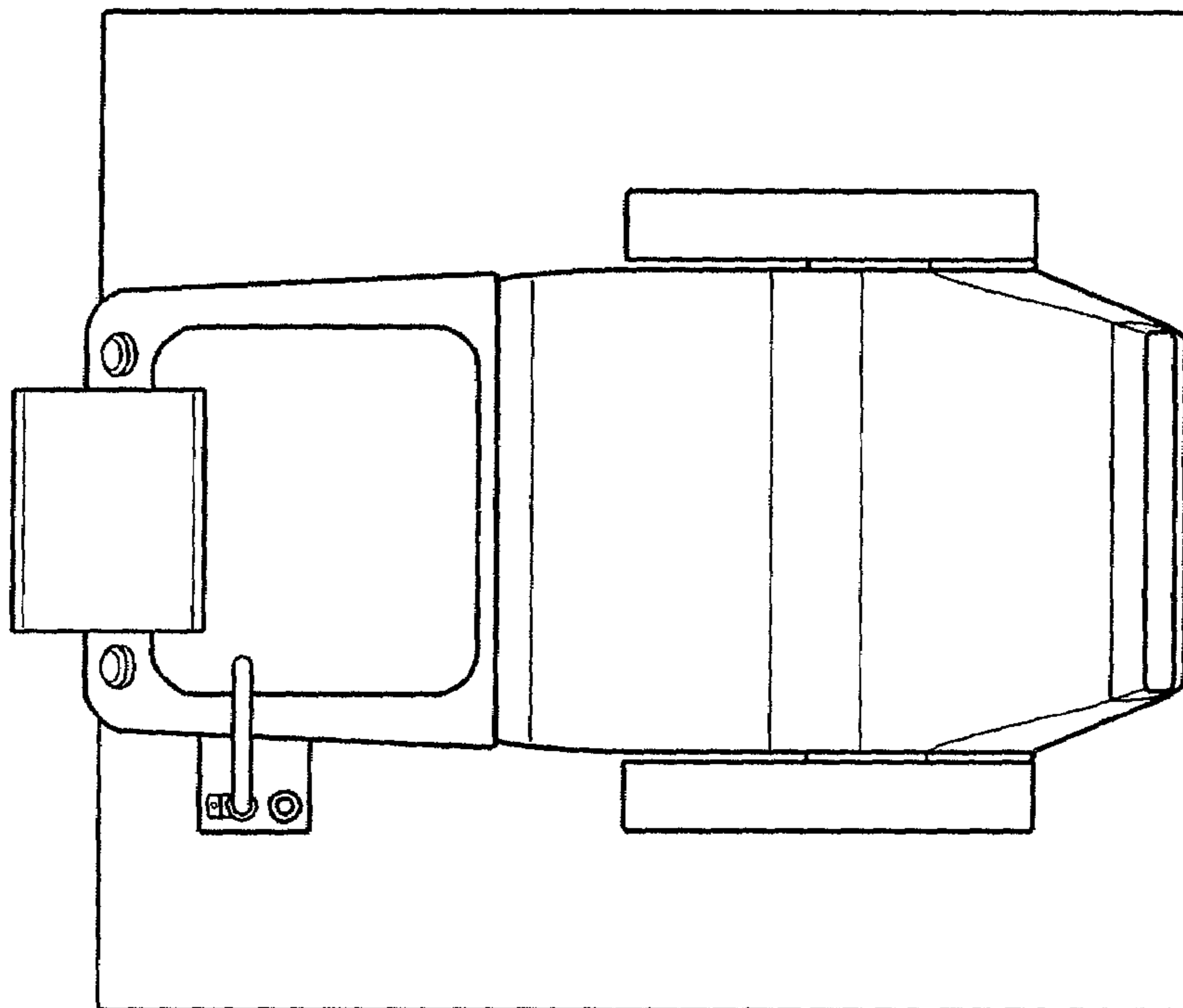


FIGURE 6

