

US00D581169S

(12) **United States Design Patent**
Berhault

(10) **Patent No.:** **US D581,169 S**

(45) **Date of Patent:** **** Nov. 25, 2008**

(54) **MASCARA BRUSH**

(75) Inventor: **Alain Berhault**, Paris (FR)

(73) Assignee: **Alcan Packaging Beauty Services** (FR)

(**) Term: **14 Years**

(21) Appl. No.: **29/279,793**

(22) Filed: **May 8, 2007**

(30) **Foreign Application Priority Data**

Nov. 9, 2006 (EM) 000623202

(51) **LOC (8) Cl.** **04-02**

(52) **U.S. Cl.** **D4/133; D4/136**

(58) **Field of Classification Search** 15/207.2,
15/206, DIG. 5, 27, 188; 132/218, 317, 320,
132/223, 226, 237, 262, 271; 401/122, 126,
401/127, 129; D4/128, 136, 133; D28/7,
D28/35, 36

See application file for complete search history.

(56) **References Cited**

U.S. PATENT DOCUMENTS

D247,076	S	*	1/1978	MacCollum	D4/128
4,635,659	A	*	1/1987	Spatz	132/218
4,964,429	A	*	10/1990	Cole	132/218
5,345,644	A	*	9/1994	Gueret	132/218
5,709,230	A	*	1/1998	Miraglia	132/218
5,794,632	A	*	8/1998	Gueret	132/317
5,860,432	A	*	1/1999	Gueret	132/218
5,862,812	A	*	1/1999	Dumler	132/218
D441,199	S	*	5/2001	Johnstone et al.	D4/128
6,616,366	B1	*	9/2003	Weihrauch	132/218
2003/0172485	A1	*	9/2003	Dumler et al.	15/DIG. 5
2005/0034740	A1	*	2/2005	Eckers et al.	132/218
2005/0217691	A1	*	10/2005	Petit	132/320
2006/0002758	A1	*	1/2006	Gueret	401/129
2006/0260633	A1	*	11/2006	Wyatt et al.	132/218
2006/0289027	A1	*	12/2006	Wyatt et al.	132/218

2007/0033759	A1	*	2/2007	Dumler	132/218
2007/0034223	A1	*	2/2007	Dumler et al.	132/218
2007/0062551	A1	*	3/2007	De Brouwer et al.	132/218
2007/0062552	A1	*	3/2007	De Brouwer et al.	132/218
2007/0204875	A1	*	9/2007	Kim	132/218
2007/0221241	A1	*	9/2007	Gueret	132/218
2008/0011317	A1	*	1/2008	Malvar et al.	132/218
2008/0023020	A1	*	1/2008	Gueret	132/218

FOREIGN PATENT DOCUMENTS

EP 1752067 * 2/2007

* cited by examiner

Primary Examiner—Cathron C Brooks

Assistant Examiner—Lavone D Tabor

(74) *Attorney, Agent, or Firm*—Banner & Witcoff, Ltd.

(57) **CLAIM**

I claim, the ornamental design for a mascara brush, as shown and described.

DESCRIPTION

FIG. 1 is an isometric view of a mascara brush, showing my new design;

FIG. 2 is a front elevation view thereof;

FIG. 3 is a rear elevation view thereof;

FIG. 4 is a first side elevation view thereof;

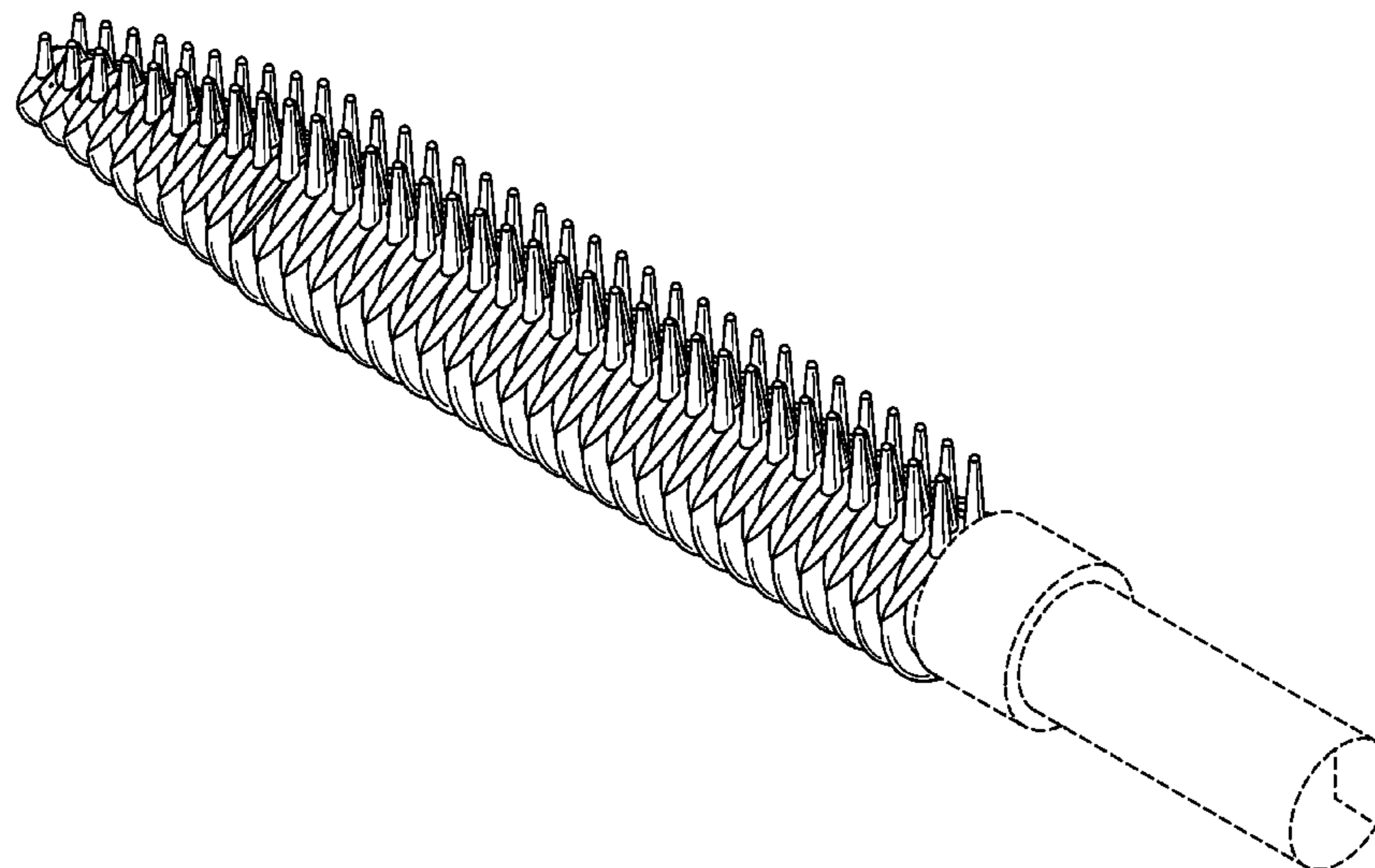
FIG. 5 is a second side elevation view thereof;

FIG. 6 is a top plan view thereof, enlarged to depict my claimed design more clearly; and,

FIG. 7 is a bottom plan view thereof, enlarged to depict my claimed design more clearly.

The broken line shown on the free end of the brush head in FIGS. 2–6 represents the bounds of the claim and the broken line showing of a handle represents a portion of the article neither of which forms part of the claimed design.

1 Claim, 4 Drawing Sheets



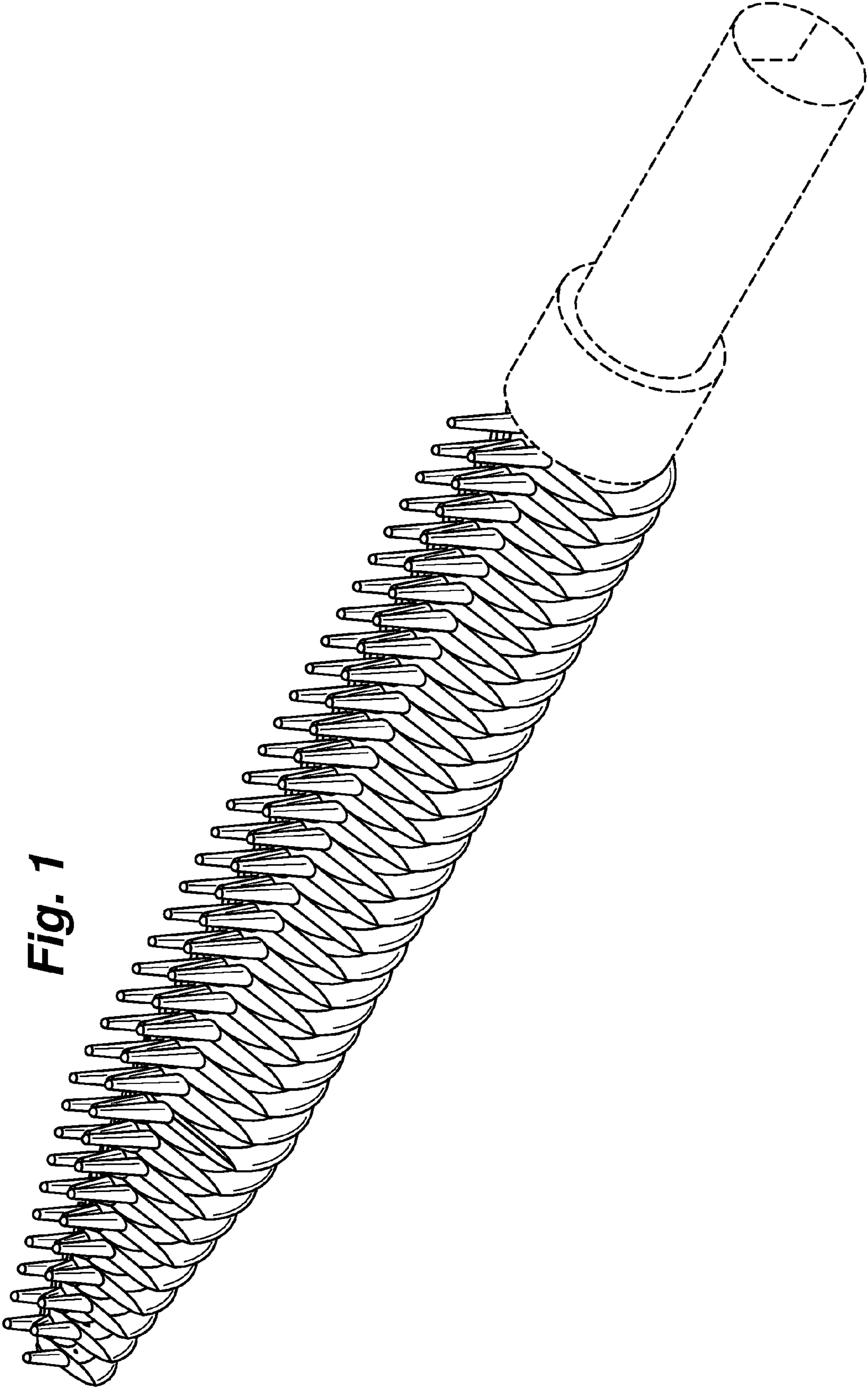


Fig. 1

Fig. 2

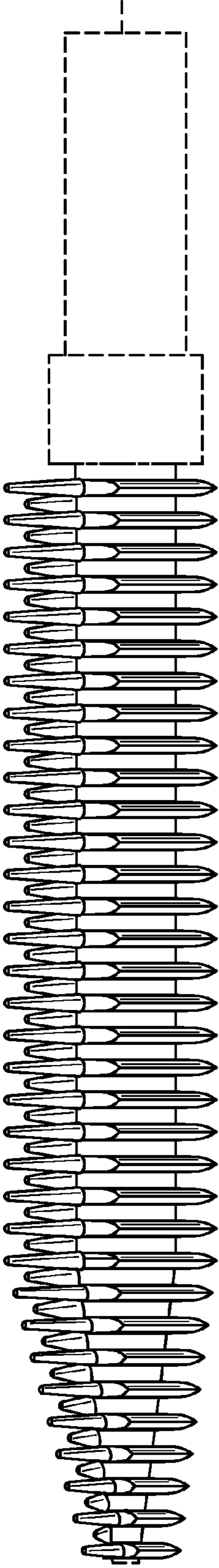


Fig. 3

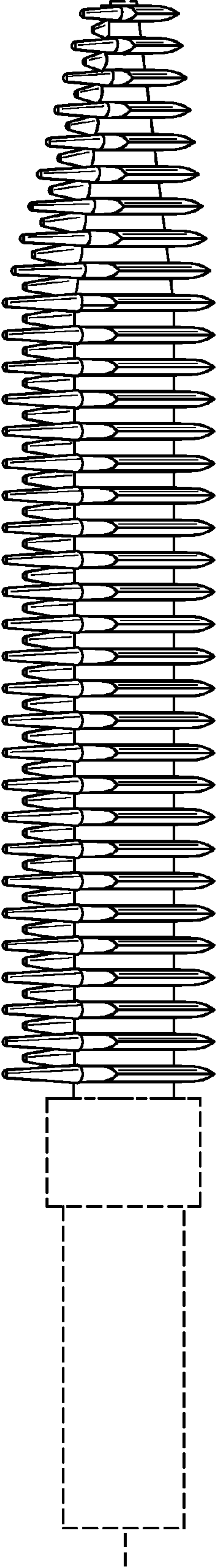


Fig. 4

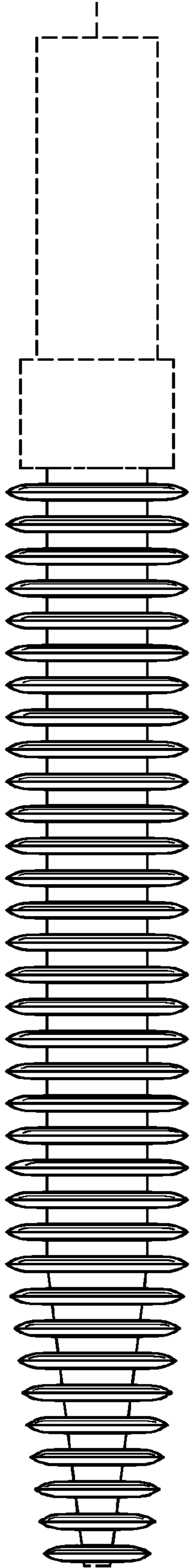


Fig. 5

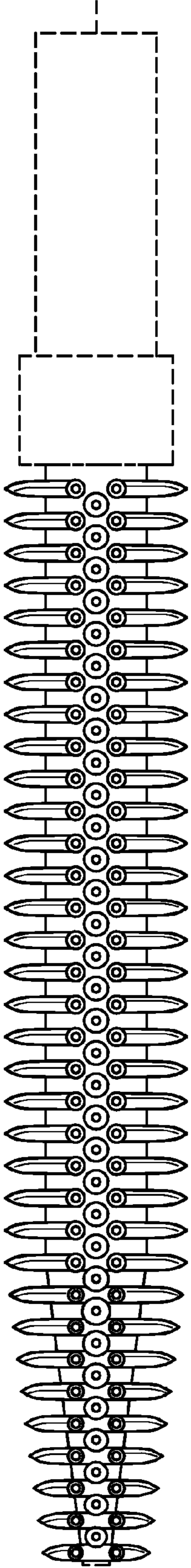


Fig. 6

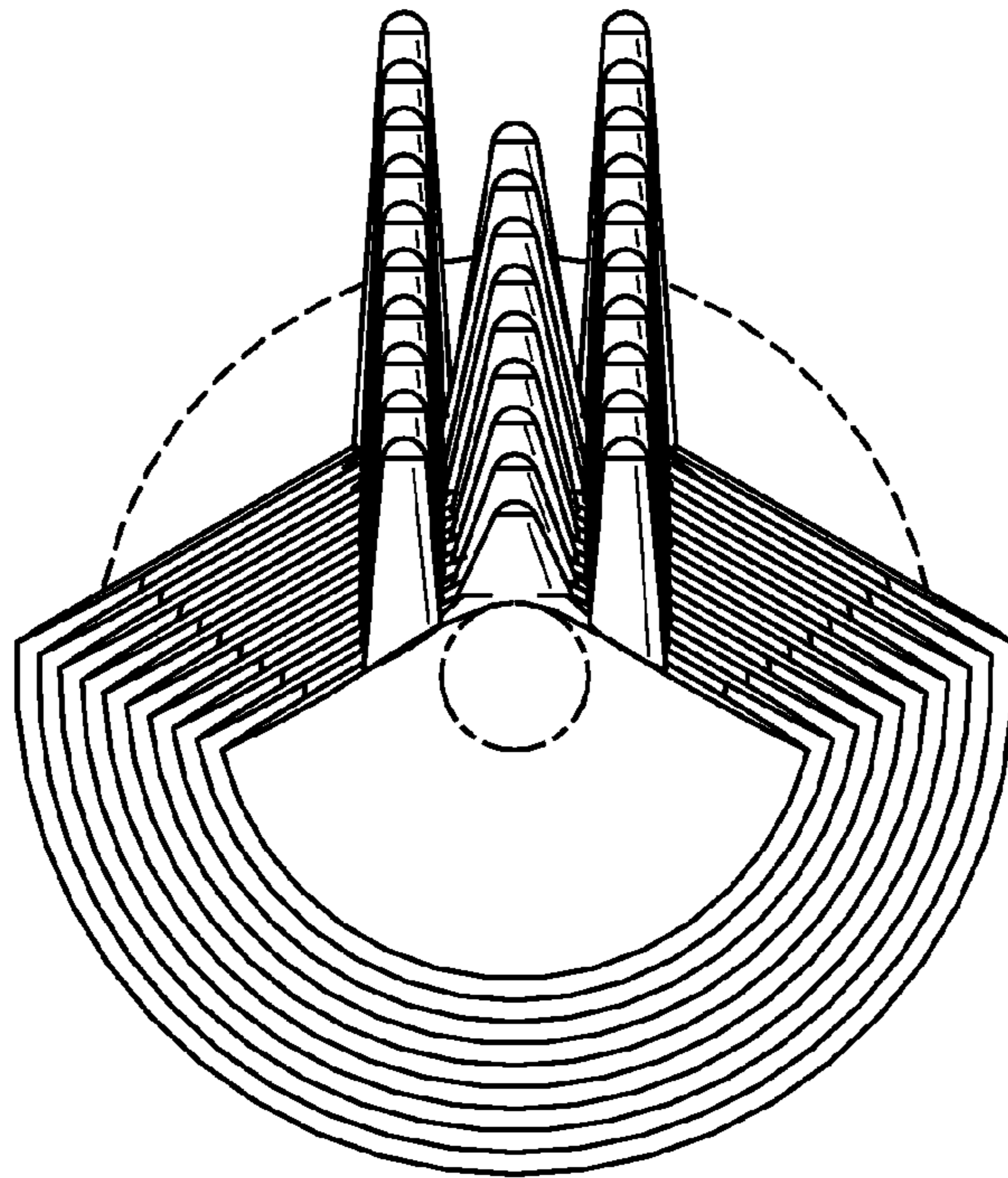


Fig. 7

