



US00D581165S

(12) **United States Design Patent**
Moskovich

(10) **Patent No.:** **US D581,165 S**
(45) **Date of Patent:** **** Nov. 25, 2008**

(54) **HEAD PORTION OF A TOOTHBRUSH**

(75) Inventor: **Robert Moskovich**, East Brunswick, NJ (US)

(73) Assignee: **Colgate-Palmolive Company**, New York, NY (US)

(**) Term: **14 Years**

(21) Appl. No.: **29/322,991**

(22) Filed: **Aug. 15, 2008**

Related U.S. Application Data

(60) Division of application No. 29/251,951, filed on Jan. 17, 2006, now Pat. No. Des. 576,798, which is a continuation-in-part of application No. 11/256,790, filed on Oct. 24, 2005, and a continuation-in-part of application No. 11/122,224, filed on May 5, 2005.

(51) **LOC (8) Cl.** **04-02**

(52) **U.S. Cl.** **D4/108**

(58) **Field of Classification Search** D4/101, D4/104-113; D24/133, 146, 147, 152; 15/110, 15/167.1, 167.2; 606/161; 601/139, 141
See application file for complete search history.

(56) **References Cited**

U.S. PATENT DOCUMENTS

1,993,662 A 3/1935 Green
D514,320 S 2/2006 Hohlbein
2004/0134007 A1 7/2004 Davies
2006/0064833 A1 3/2006 Jacobs

FOREIGN PATENT DOCUMENTS

JP 2001314232 A 11/2001
JP 2005348899 A 12/2005
WO 200245573 A1 6/2001

OTHER PUBLICATIONS

DE 202005009026 U1 (Buerstenmann GmbH), (abstract), Nov. 24, 2005. Derwent Information Ltd.

Primary Examiner—Robin V Webster

Assistant Examiner—Lavone D Tabor

(74) *Attorney, Agent, or Firm*—Michael J. Wallace, Jr.

(57) **CLAIM**

The ornamental design for a head portion of a toothbrush, as shown and described.

DESCRIPTION

FIG. 1 is a front view of a head portion of a toothbrush showing my design;

FIG. 2 is a right side view thereof, the left side view being a mirror image thereto;

FIG. 3 is a rear view thereof;

FIG. 4 is a top view thereof;

FIG. 5 is a bottom view thereof;

FIG. 6 is a right, frontal perspective view thereof; and,

FIG. 7 is a left, rear perspective view thereof.

The dotted lines are for purposes of illustration and form no part of the claimed design.

1 Claim, 3 Drawing Sheets

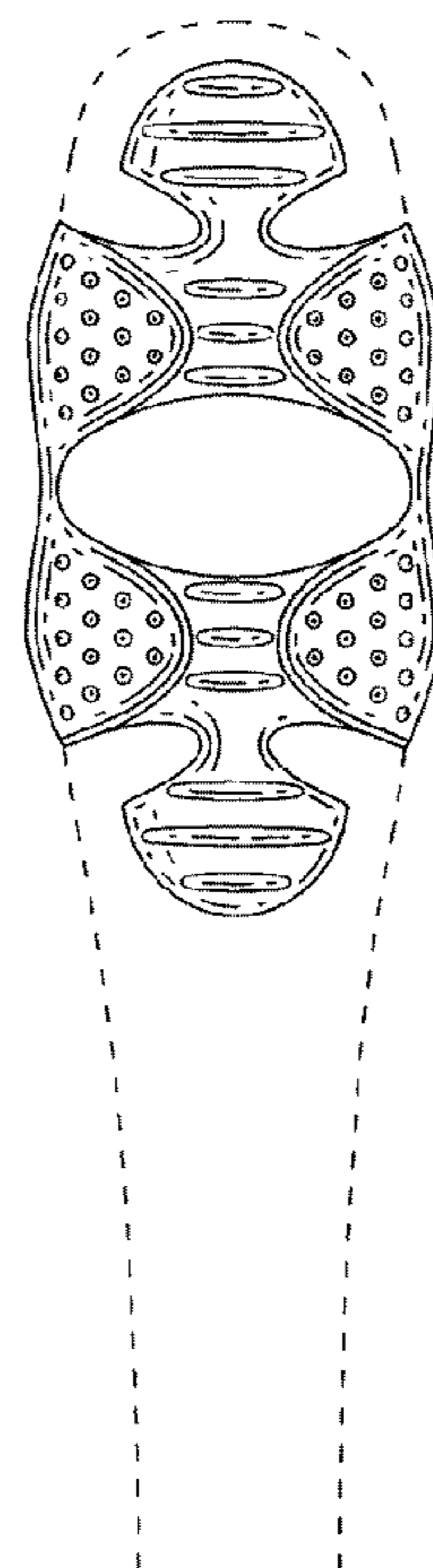
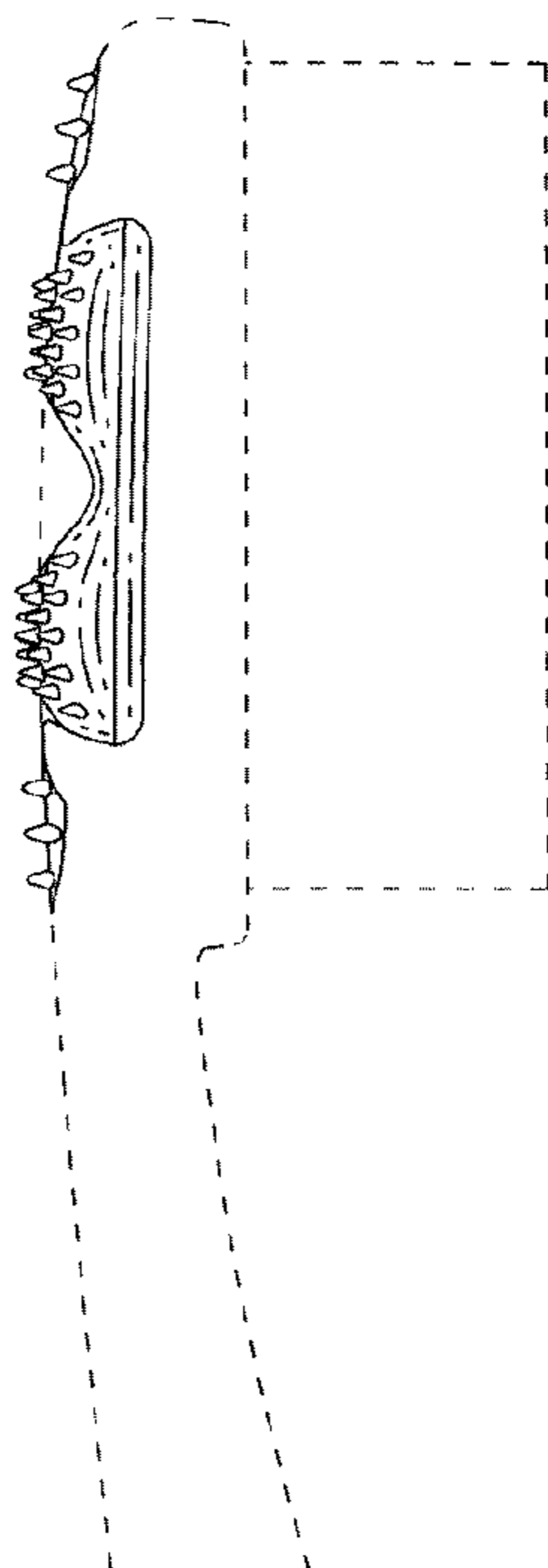


FIG. 1

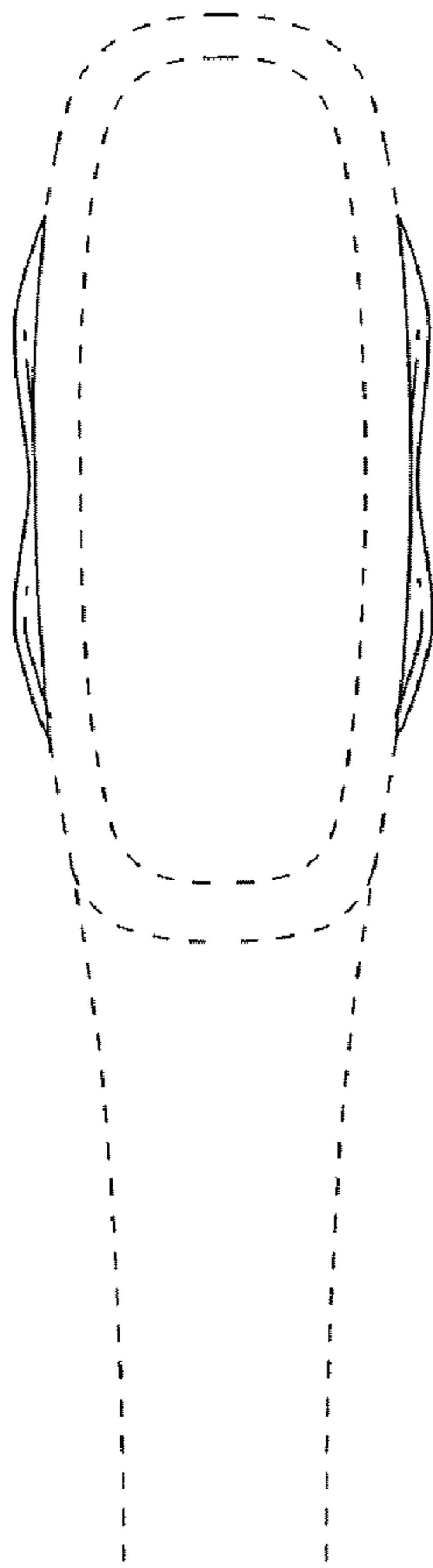


FIG. 2

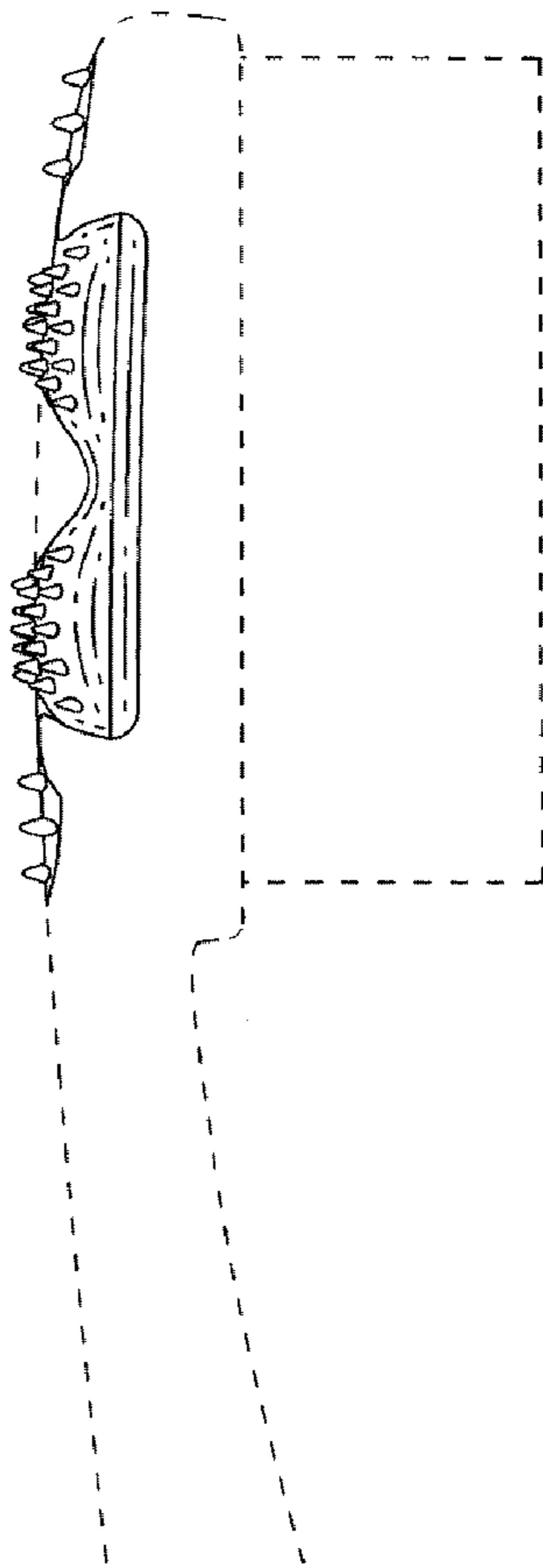


FIG. 3

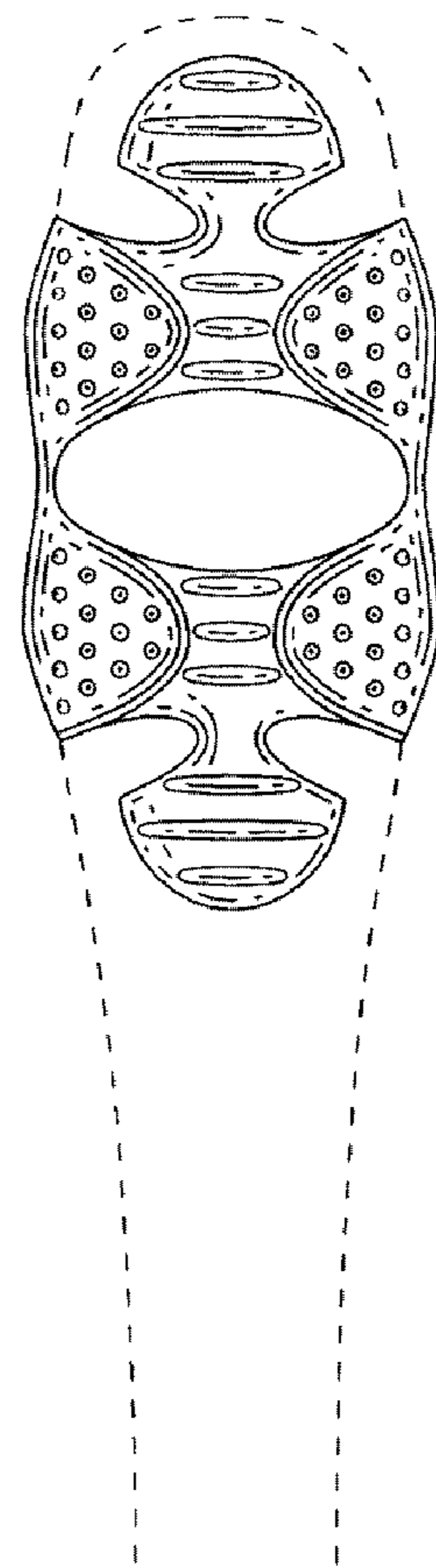


FIG. 4

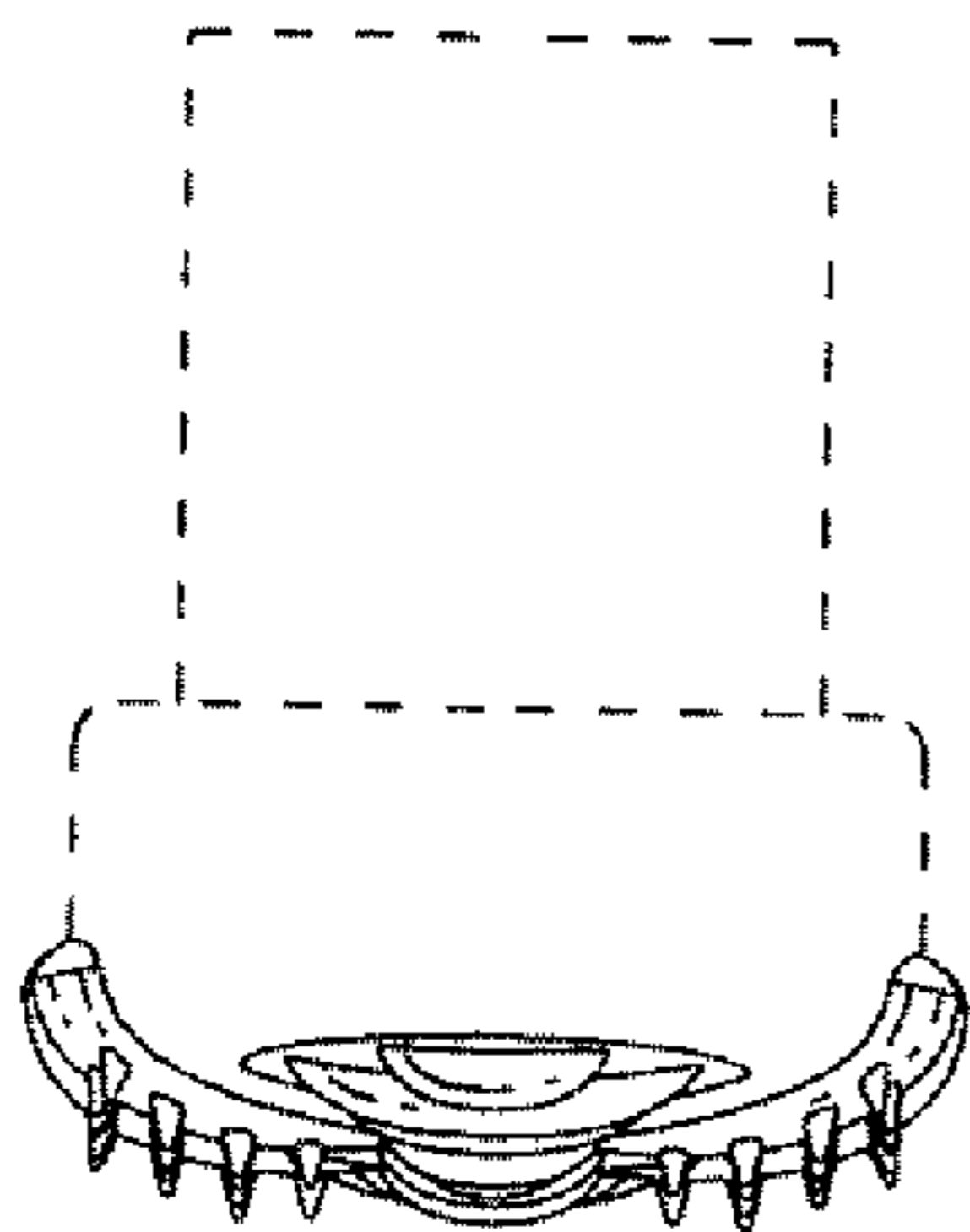
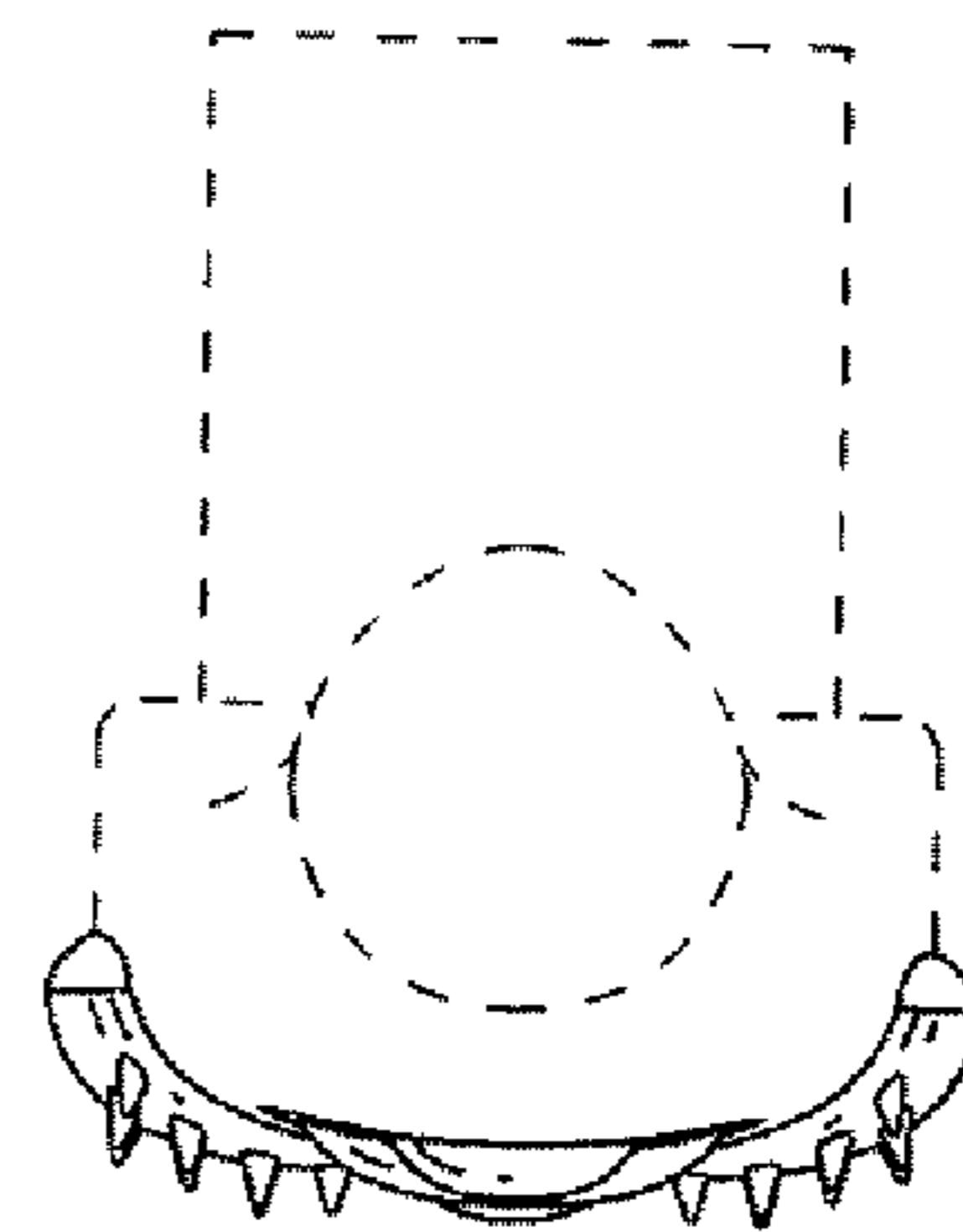


FIG. 5



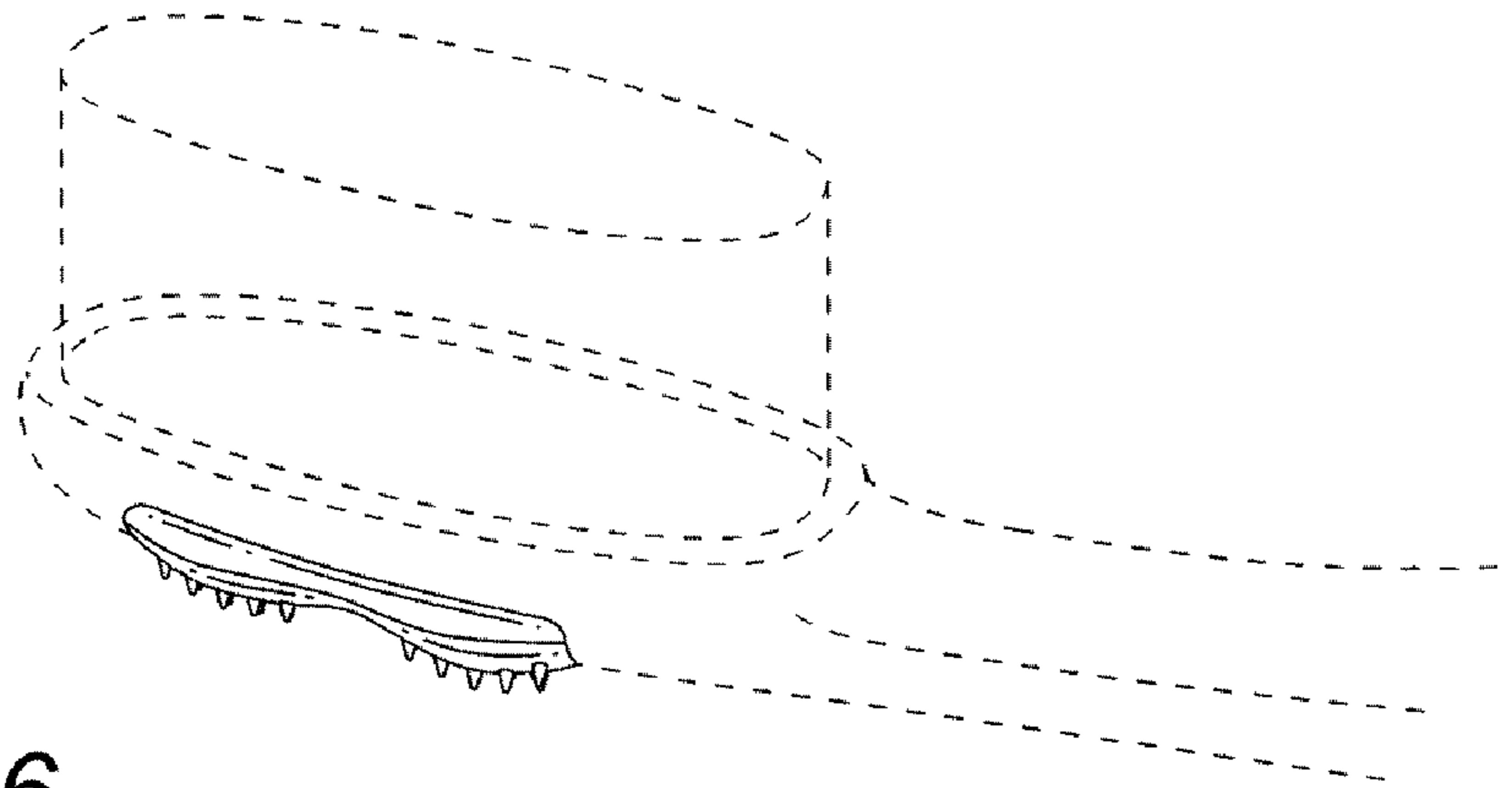


FIG. 6

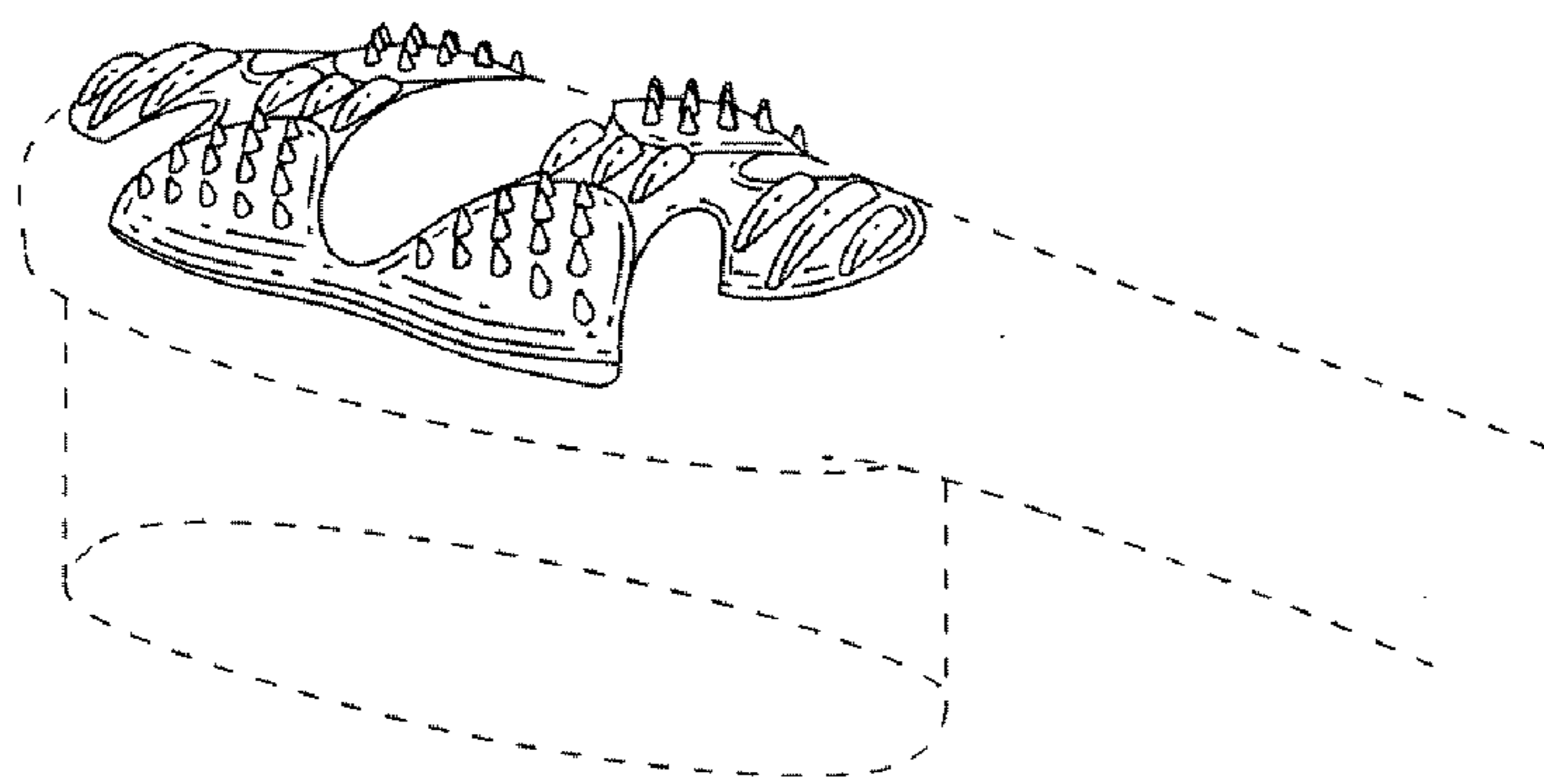


FIG. 7