

US00D581161S

(12) **United States Design Patent**
Tong

(10) **Patent No.:** **US D581,161 S**

(45) **Date of Patent:** **** Nov. 25, 2008**

(54) **CORNER WHEEL OF A SUITCASE**

(76) **Inventor:** **Joy Tong**, 2932 NW. 27th St. Bldg. 14,
Ft. Lauderdale, FL (US) 33311

(**) **Term:** **14 Years**

(21) **Appl. No.:** **29/287,881**

(22) **Filed:** **Sep. 28, 2007**

(51) **LOC (8) Cl.** **03-01**

(52) **U.S. Cl.** **D3/318; D8/375**

(58) **Field of Classification Search** D3/318,
D3/321, 322, 273, 279; 190/18 A, 24, 37;
248/346, 346.11; 186/27; D34/12, 23, 25,
D34/27; 16/45, 18 CG; 8/375

See application file for complete search history.

(56) **References Cited**

U.S. PATENT DOCUMENTS

D411,041 S *	6/1999	Kinzer et al.	D3/318
D421,338 S *	3/2000	Moon	D3/318
D425,705 S *	5/2000	Santy et al.	D3/318
6,193,324 B1 *	2/2001	Chang	301/111.05
D438,382 S *	3/2001	Chang	D3/321
D439,410 S *	3/2001	Chang	D3/318
6,322,156 B1 *	11/2001	Kuo	301/111.01
D473,379 S *	4/2003	Moon	D3/318
D476,484 S *	7/2003	Santy et al.	D3/318
D487,348 S *	3/2004	Fenton et al.	D3/318
D498,053 S *	11/2004	Nordstrom et al.	D3/318
D513,560 S *	1/2006	Neumann	D3/318
D520,240 S *	5/2006	Karl	D3/318

D522,753 S *	6/2006	Moon	D3/318
D523,638 S *	6/2006	Yonkman et al.	D3/318
D525,033 S *	7/2006	Neumann	D3/318
7,195,322 B2 *	3/2007	Lin et al.	301/111.05
D539,543 S *	4/2007	Wu	D3/318
D541,047 S *	4/2007	Moon	D3/318
D541,048 S *	4/2007	Moon	D3/318
D557,900 S *	12/2007	Sijmons	D3/318

* cited by examiner

Primary Examiner—Holly H. Baynham

Assistant Examiner—Sheryl Lane

(74) *Attorney, Agent, or Firm*—Bacon & Thomas, PLLC

(57) **CLAIM**

I claim the ornamental design for a corner wheel of a suitcase, as shown and described.

DESCRIPTION

FIG. 1 is a right side perspective view of a corner wheel of a suitcase, showing my new design;

FIG. 2 is a front view thereof;

FIG. 3 is a rear view thereof;

FIG. 4 is a left side view thereof;

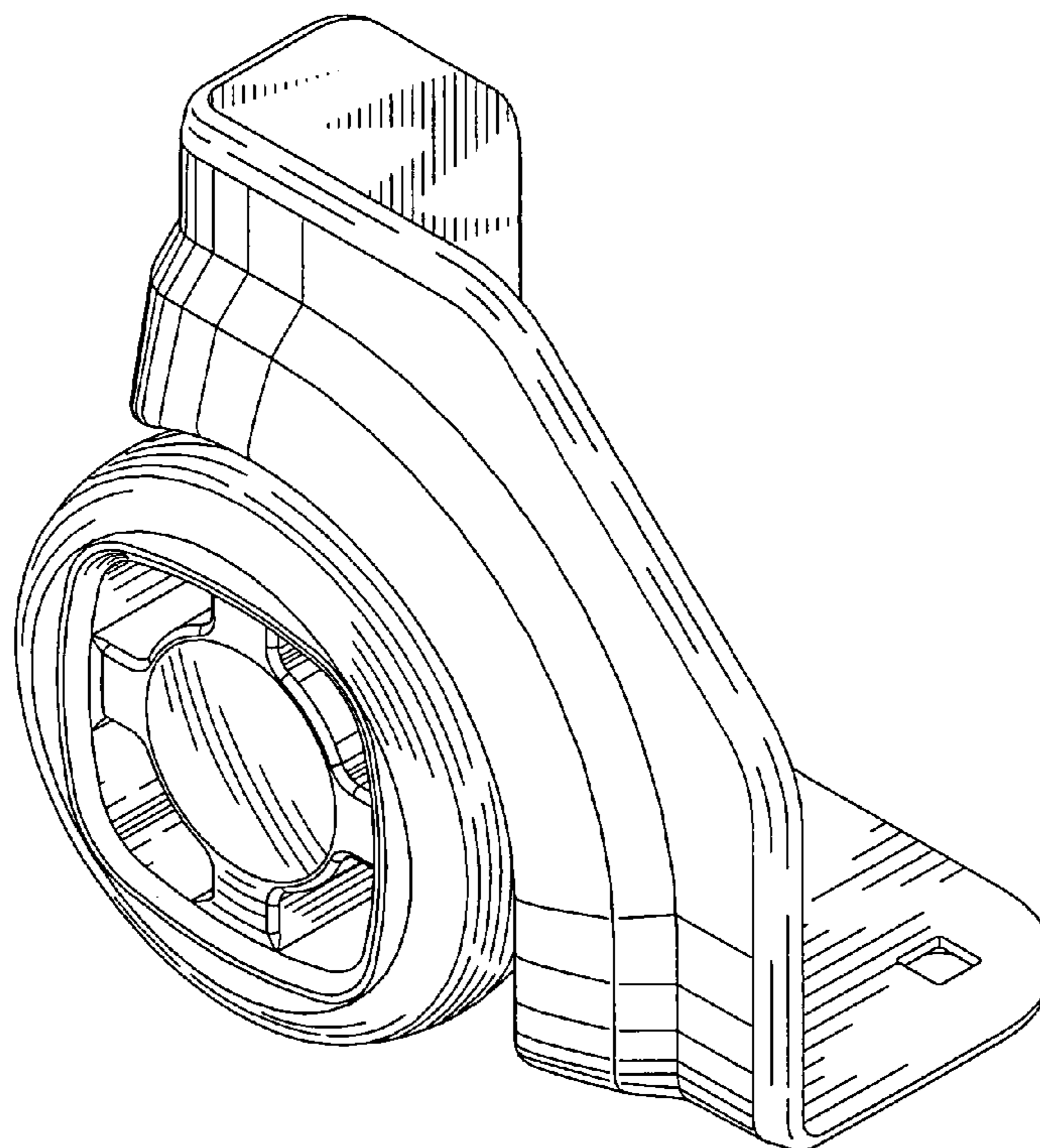
FIG. 5 is a right side view thereof;

FIG. 6 is a top view thereof;

FIG. 7 is a bottom view thereof; and,

FIG. 8 is an environmental reduced scale front view of the wheel in FIG. 2, shown in a alternate position.

1 Claim, 5 Drawing Sheets



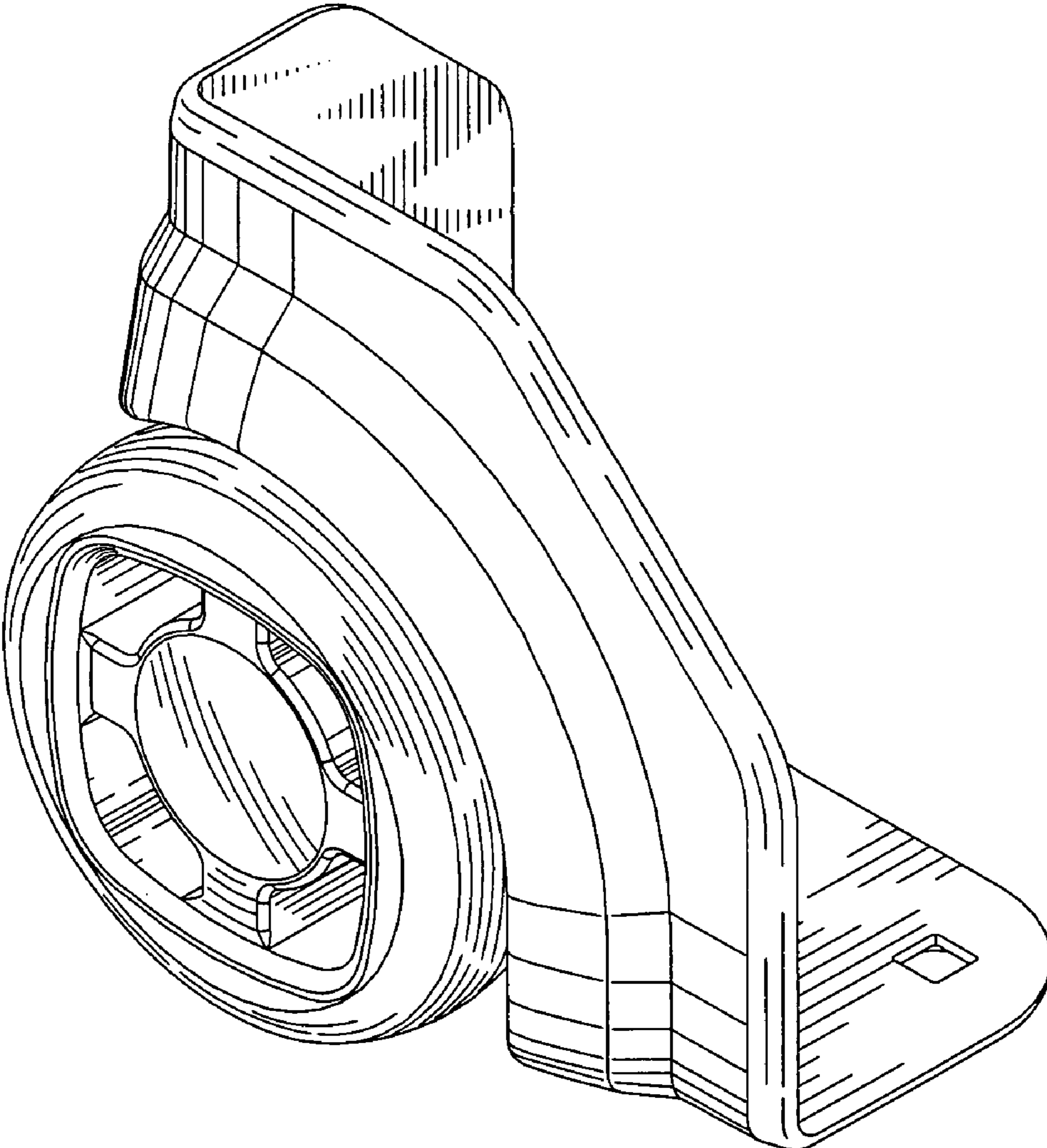


FIG. 1

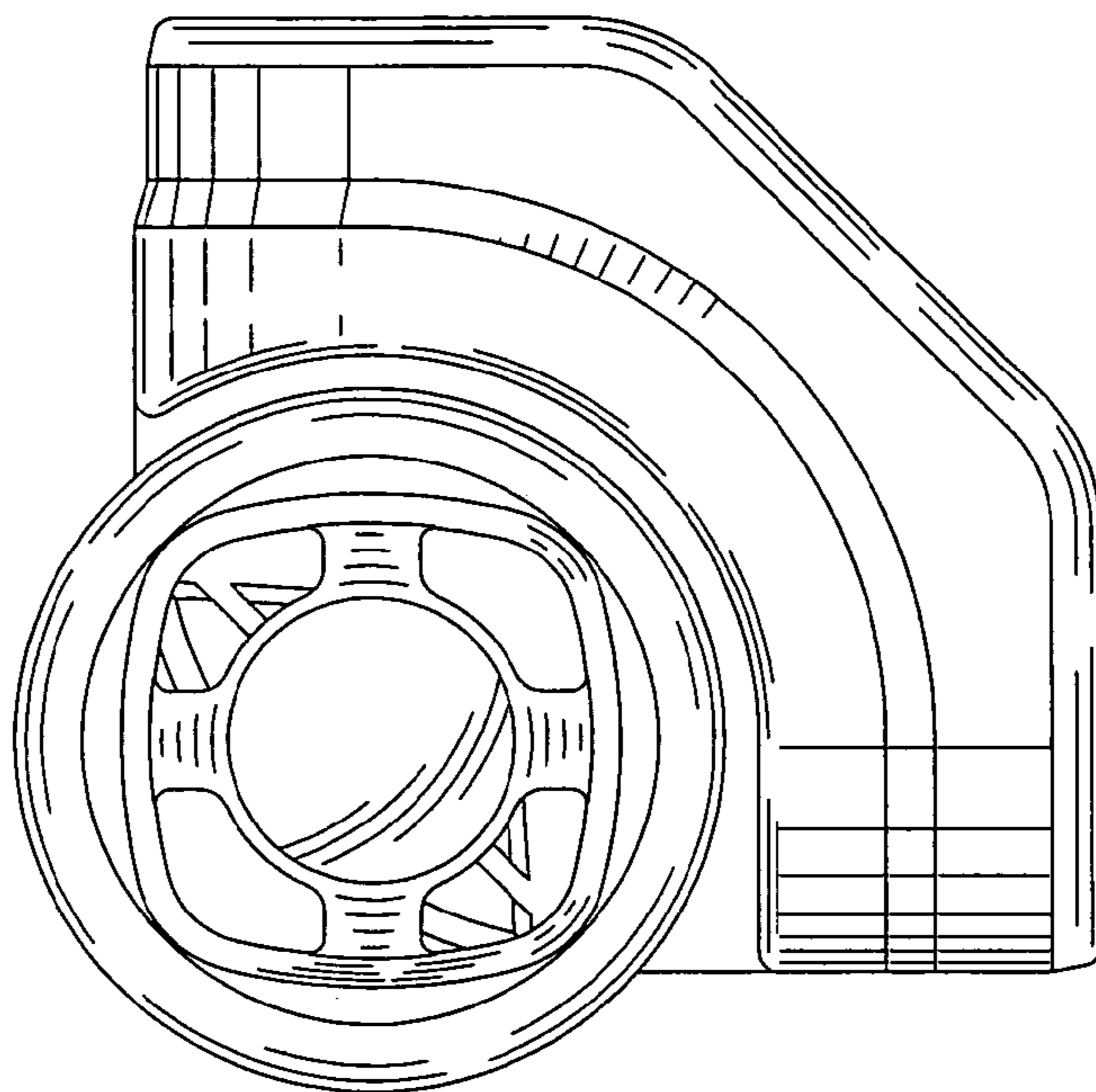


FIG. 2

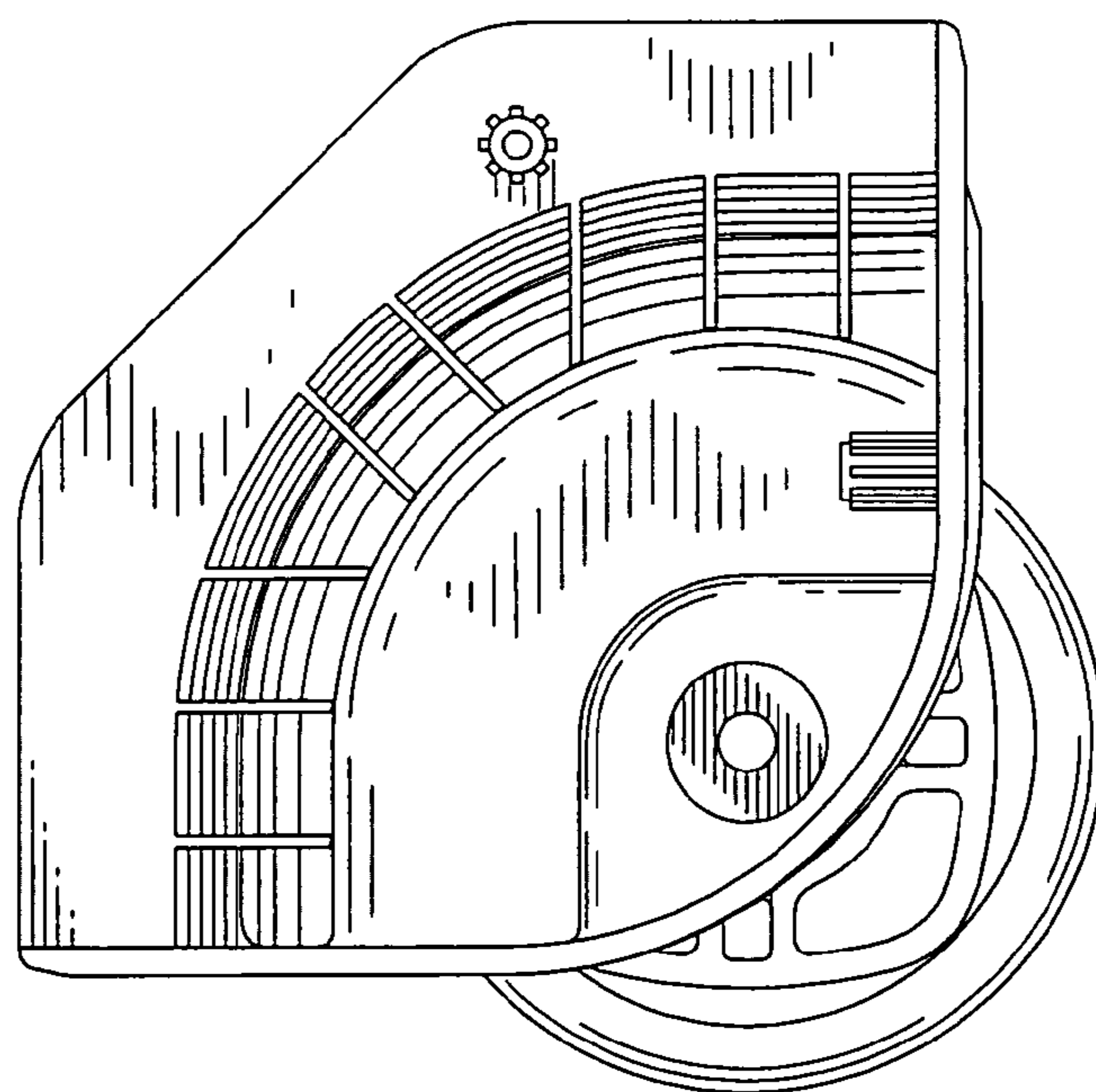


FIG. 3

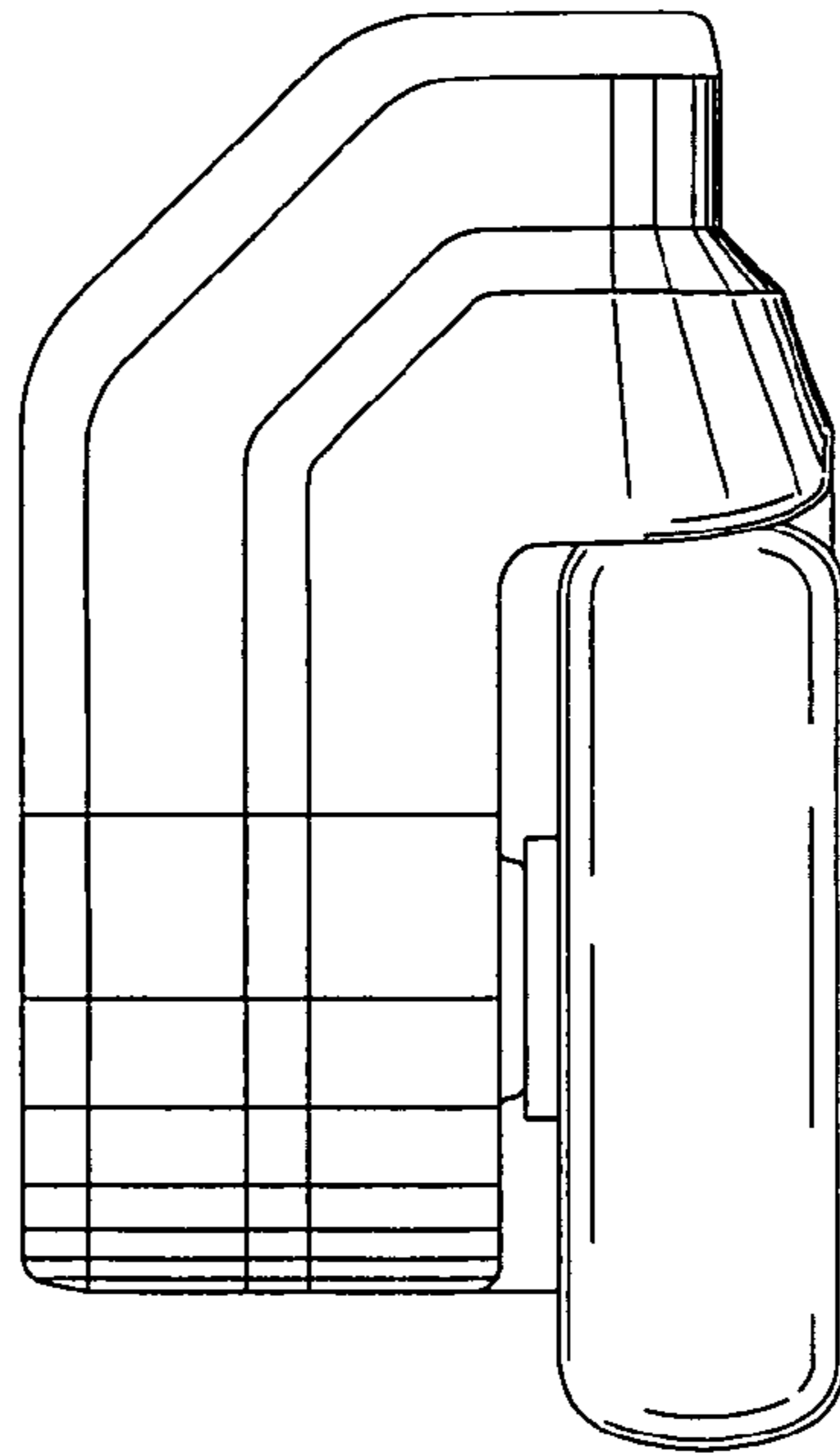


FIG. 4

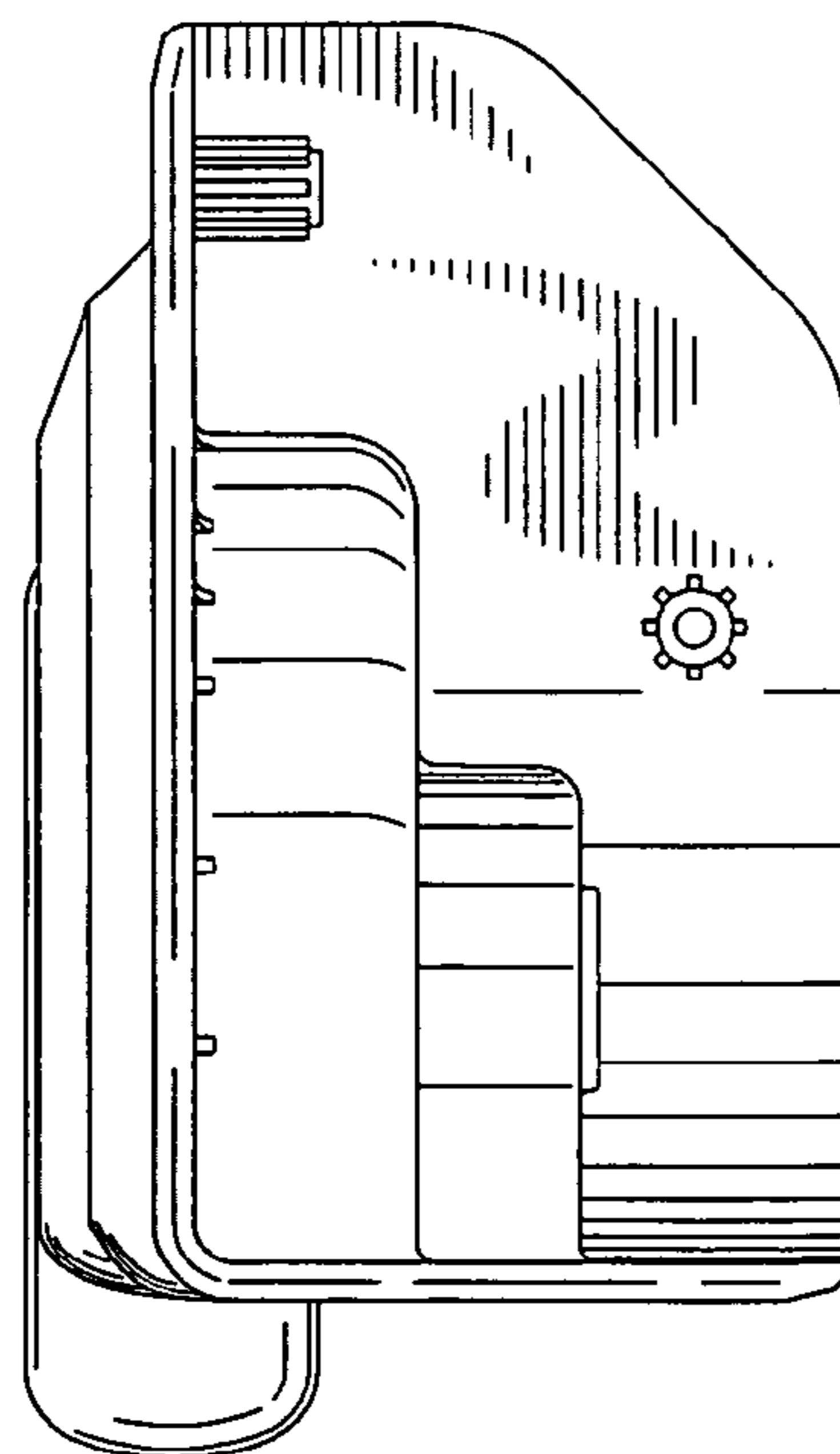


FIG. 5

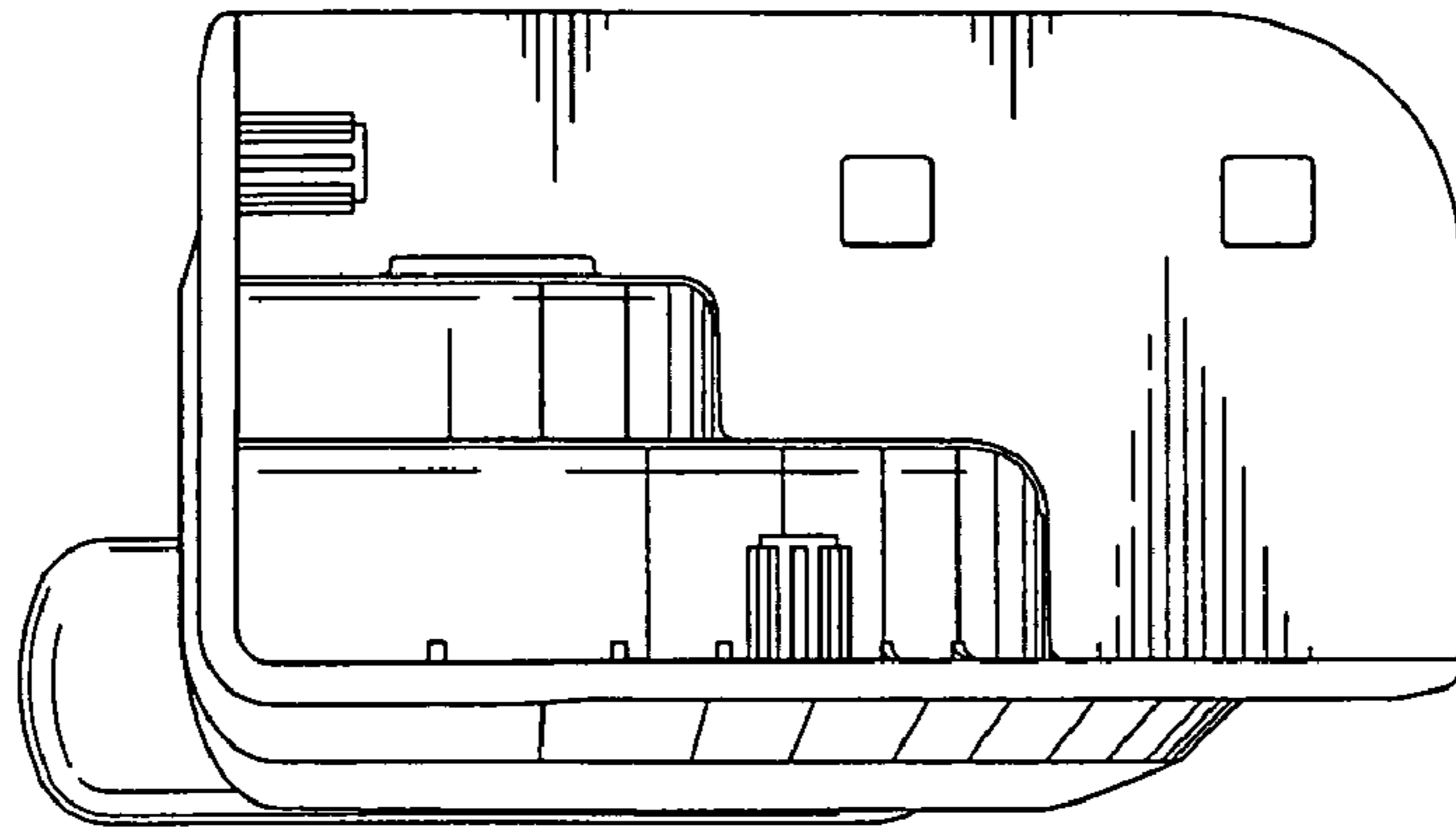


FIG. 6

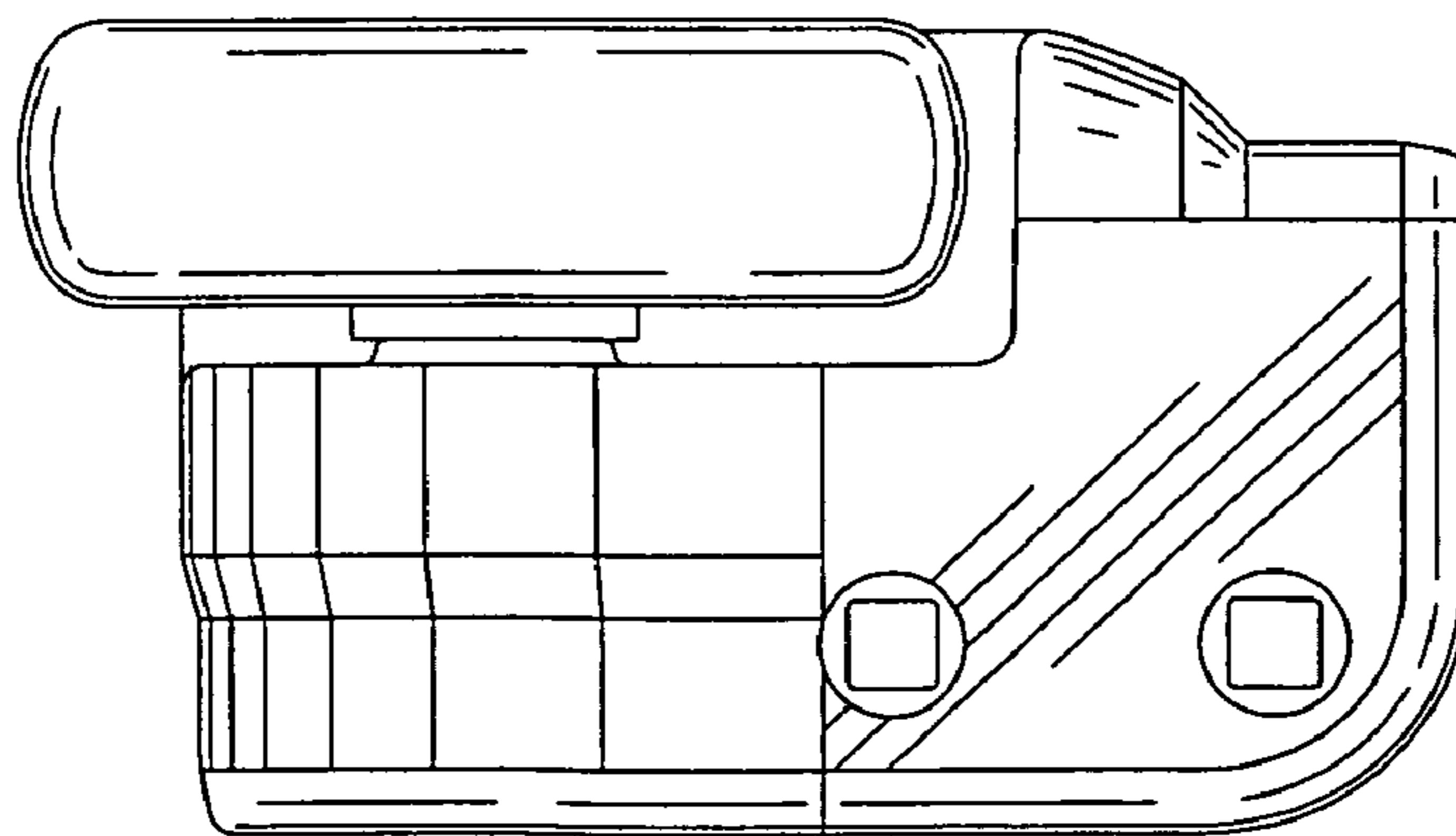


FIG. 7

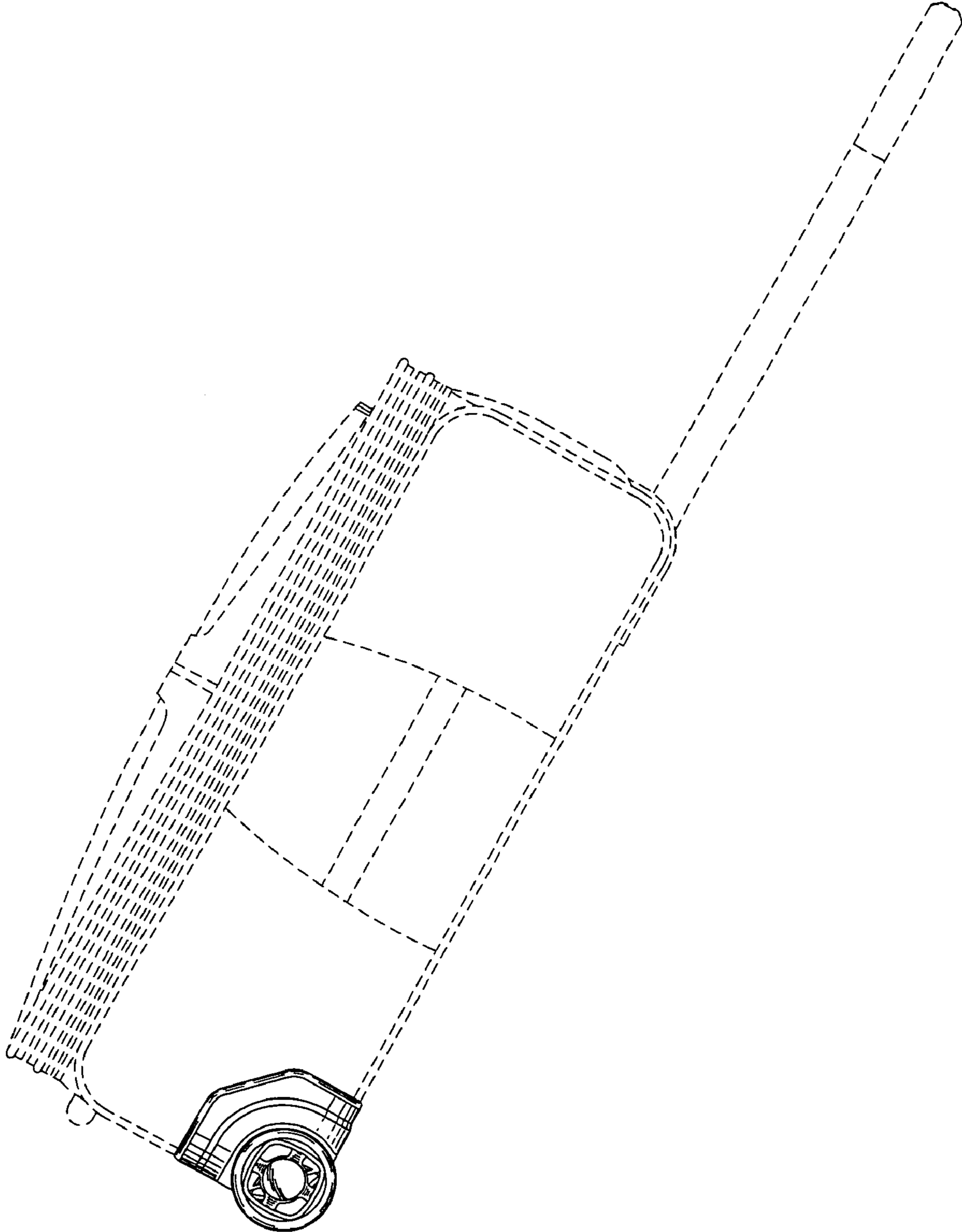


FIG. 8