



US00D581156S

(12) **United States Design Patent**
Wang

(10) **Patent No.:** **US D581,156 S**
(45) **Date of Patent:** **** Nov. 25, 2008**

(54) **EXTERNAL CASE FOR DATA STORAGE MEDIA**

D559,267 S * 1/2008 Griffin D14/496
D570,593 S * 6/2008 Justiss D3/201
D570,598 S * 6/2008 Chan D3/218

(75) Inventor: **Chia-Jen Wang**, Taipei Hsien (TW)

* cited by examiner

(73) Assignee: **Datastore Technology Corp.**, Taipei Hsien (TW)

Primary Examiner—Catherine R Oliver
(74) *Attorney, Agent, or Firm*—Finnegan, Henderson, Farabow, Garrett & Dunner, L.L.P.

(**) Term: **14 Years**

(21) Appl. No.: **29/299,712**

(57) **CLAIM**

(22) Filed: **Jan. 3, 2008**

The ornamental design for external case for data storage media, as shown and described

(30) **Foreign Application Priority Data**

DESCRIPTION

Jul. 5, 2007 (TW) 96303729

FIG. 1 is a perspective view of external case for data storage media showing my new design;

(51) **LOC (8) Cl.** **03-01**

FIG. 2 is a front elevational view thereof;

(52) **U.S. Cl.** **D3/218**

FIG. 3 is a rear elevational view thereof;

(58) **Field of Classification Search** D3/218,
D3/201, 215, 219, 224, 226, 272-273, 269,
D3/299, 294; 224/901, 904, 682-683, 666,
224/674, 605, 930, 602, 240, 625, 664; 206/305,
206/320, 581; D14/496, 156, 138; 379/455;
455/90, 92, 42

FIG. 4 is a left side elevational view thereof;

FIG. 5 is a right side elevational view thereof;

See application file for complete search history.

FIG. 6 is a top plan view thereof;

FIG. 7 is a bottom plan view thereof;

FIG. 8 is a perspective view in use; and,

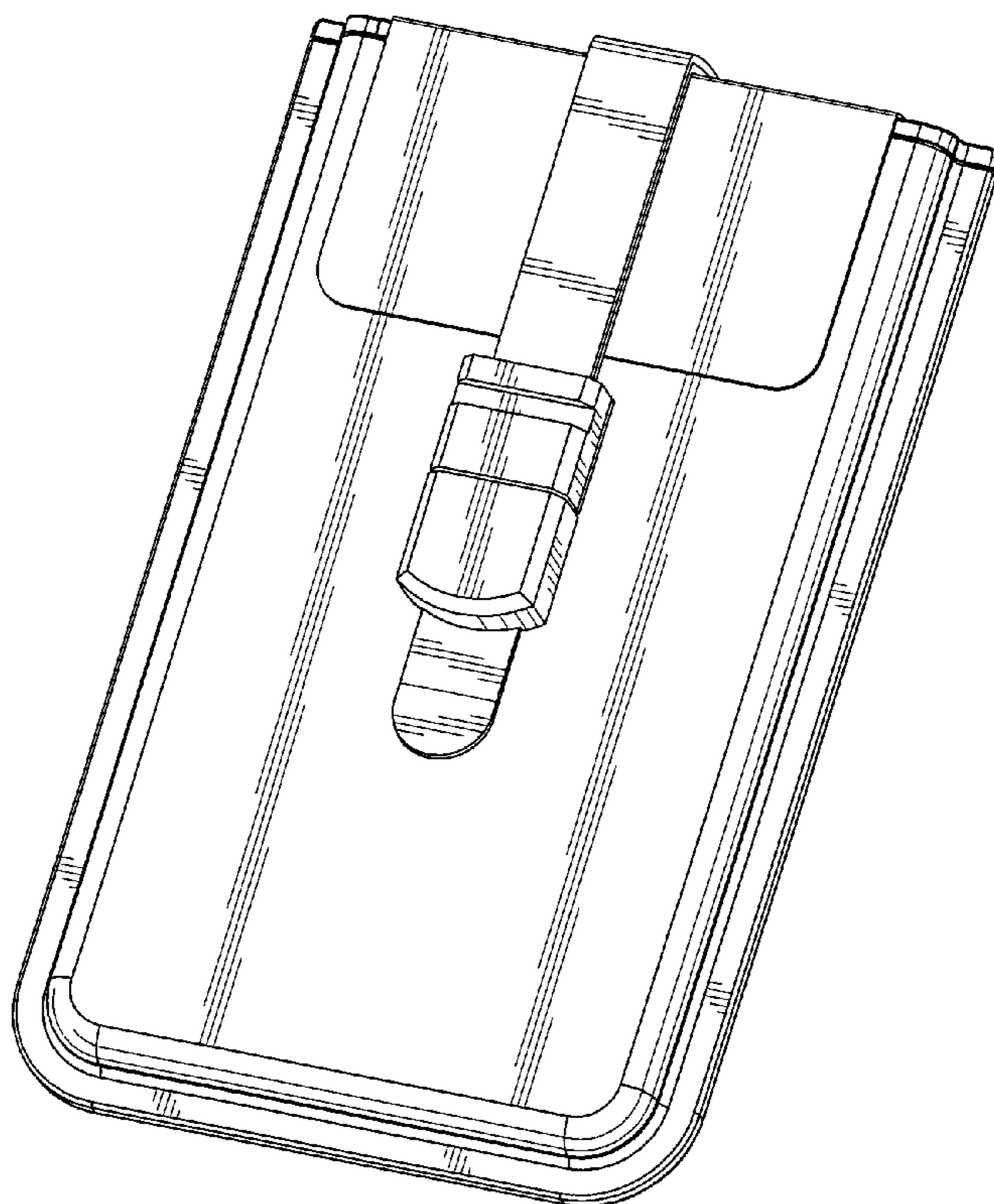
(56) **References Cited**

FIG. 9 is another perspective view in use; the portions shown in dashed lines do not form part of the design.

U.S. PATENT DOCUMENTS

D558,973 S * 1/2008 Hussaini et al. D3/201

1 Claim, 5 Drawing Sheets



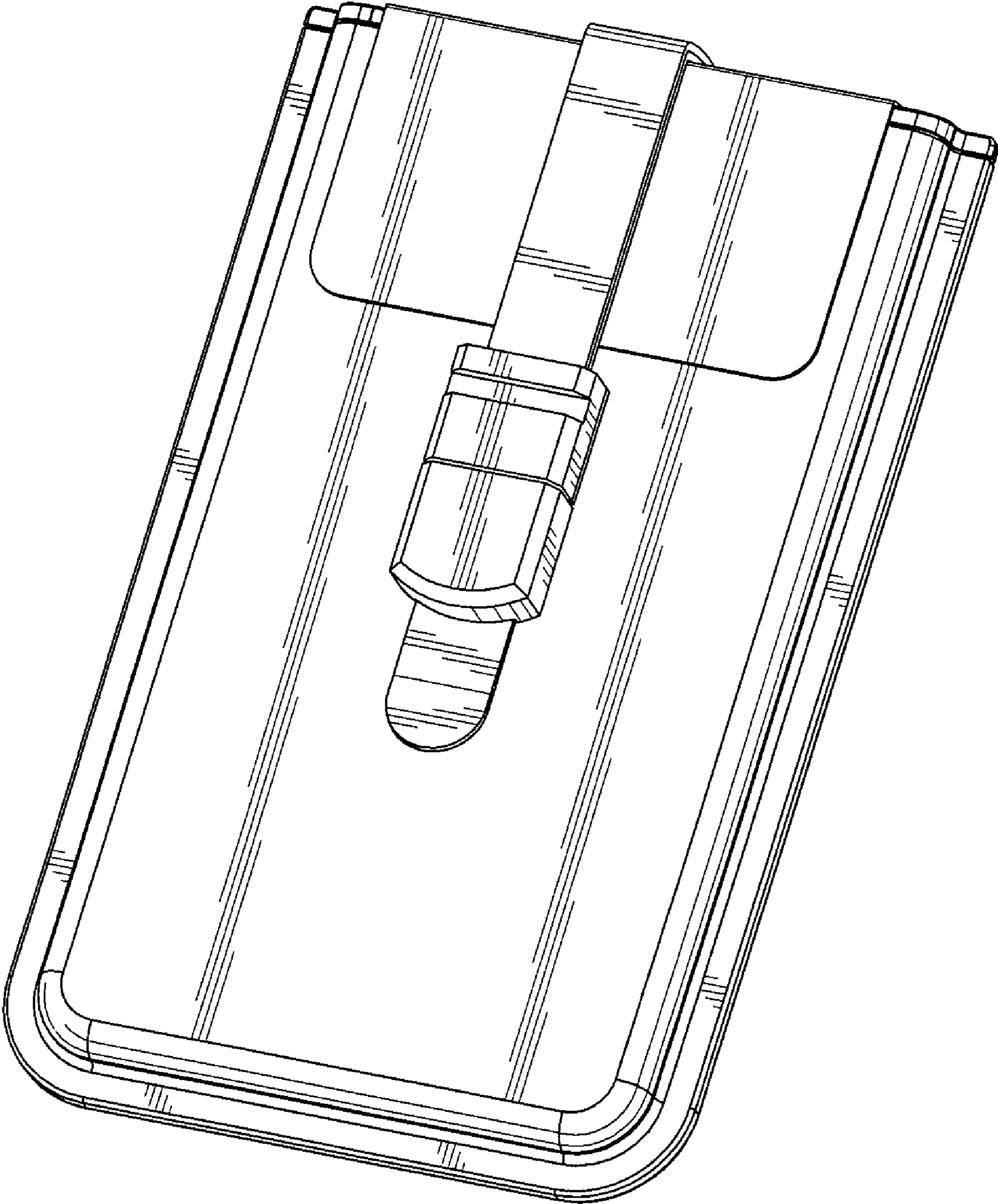


FIG. 1

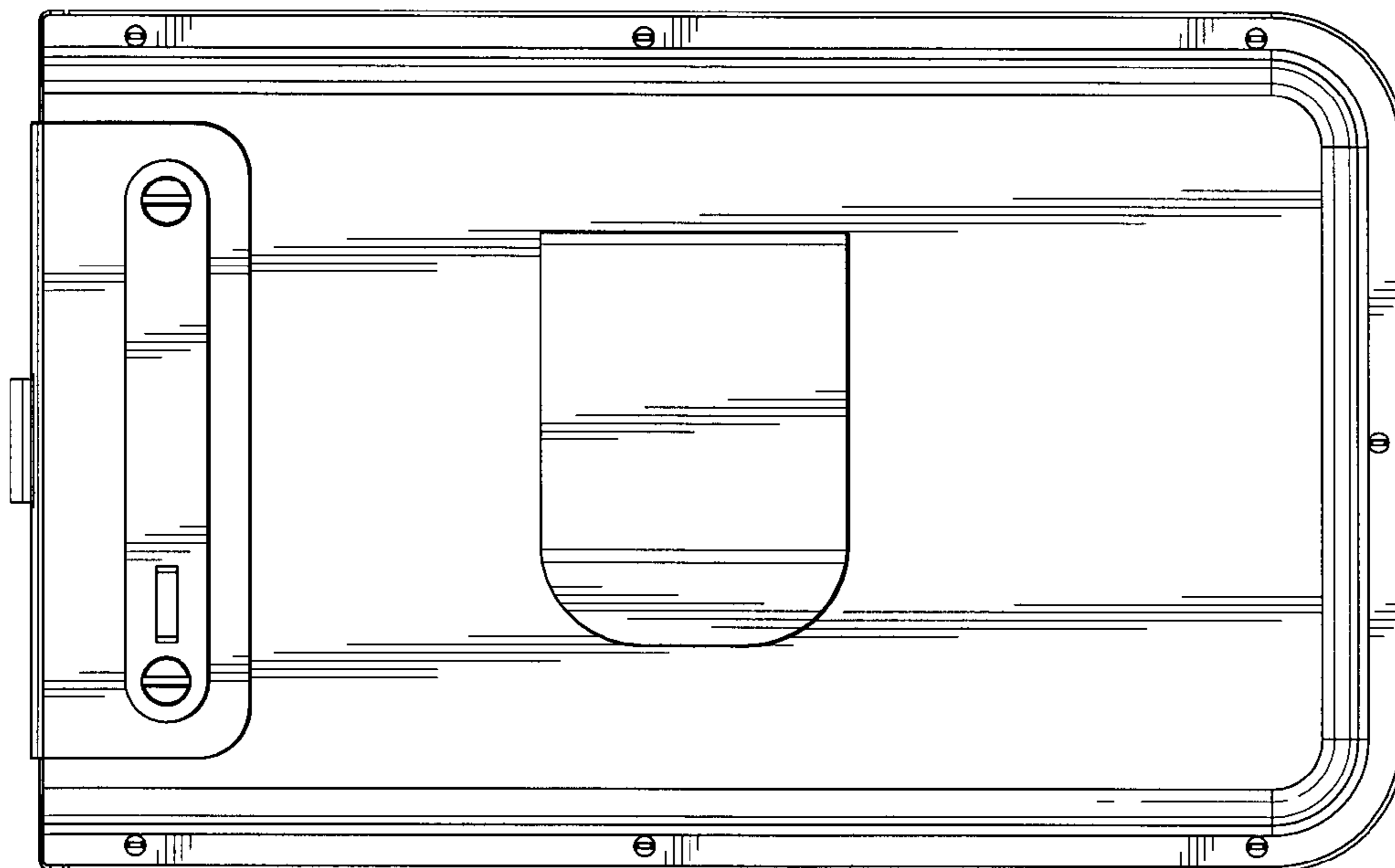


FIG. 3

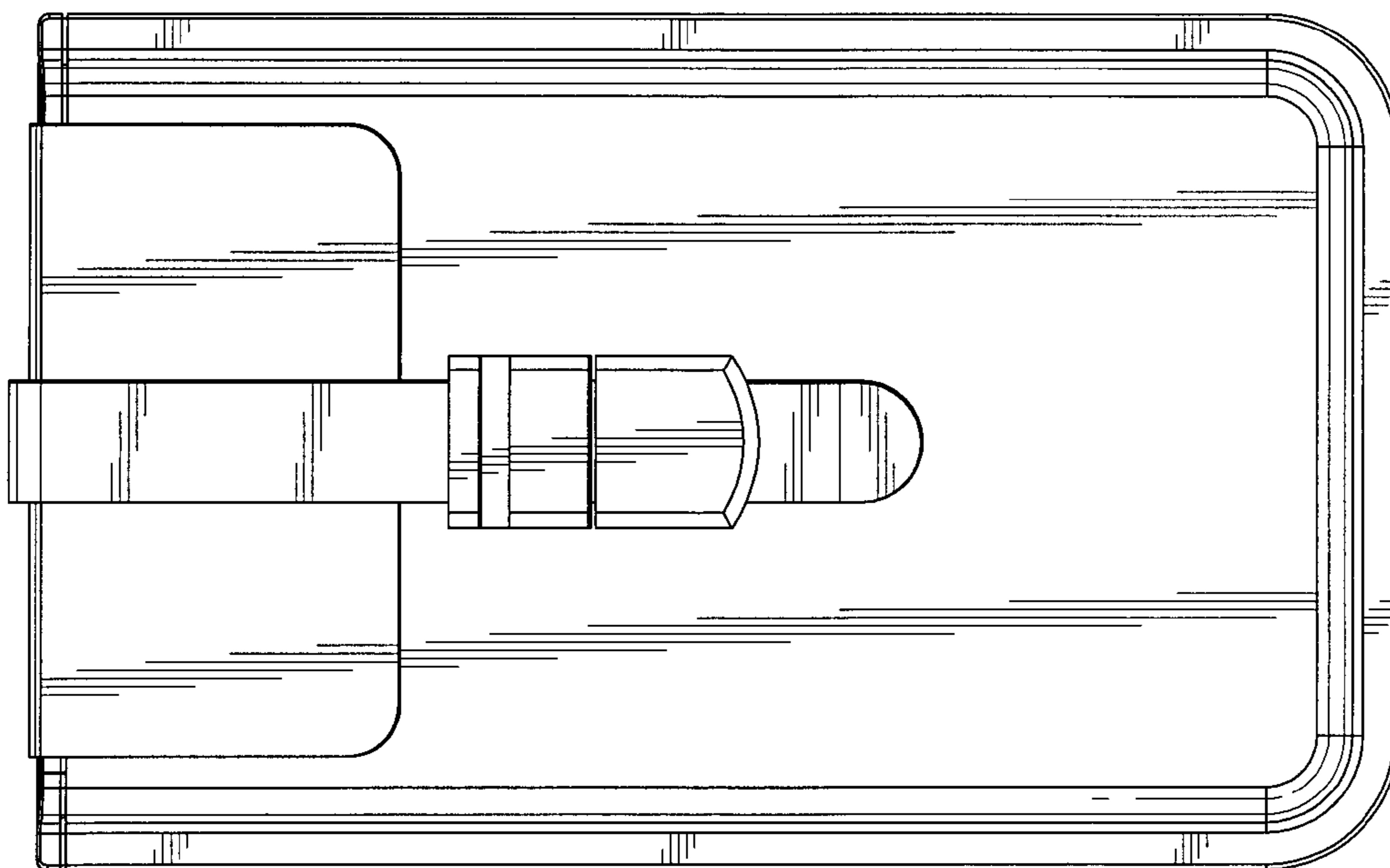


FIG. 2

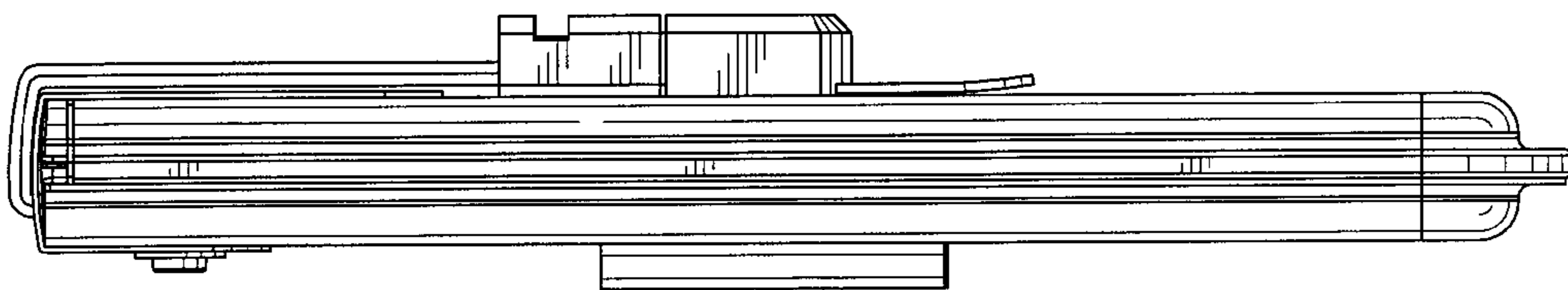


FIG. 4

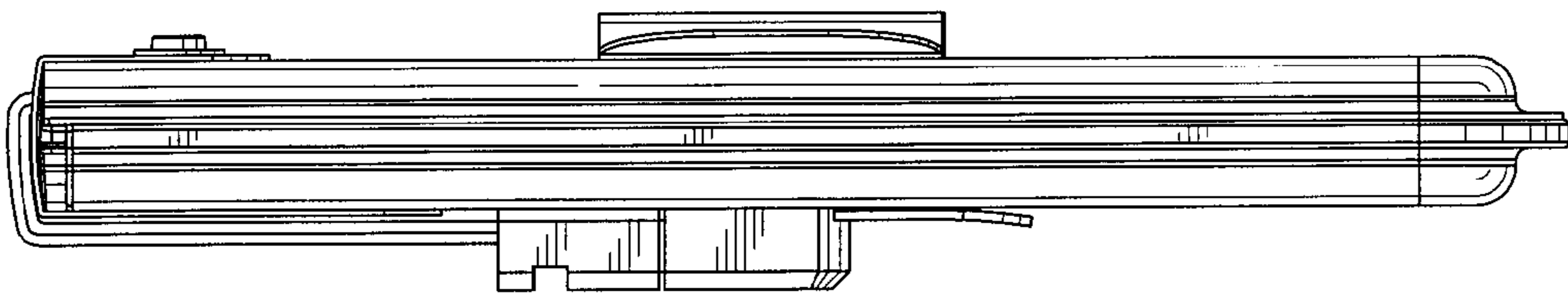


FIG. 5

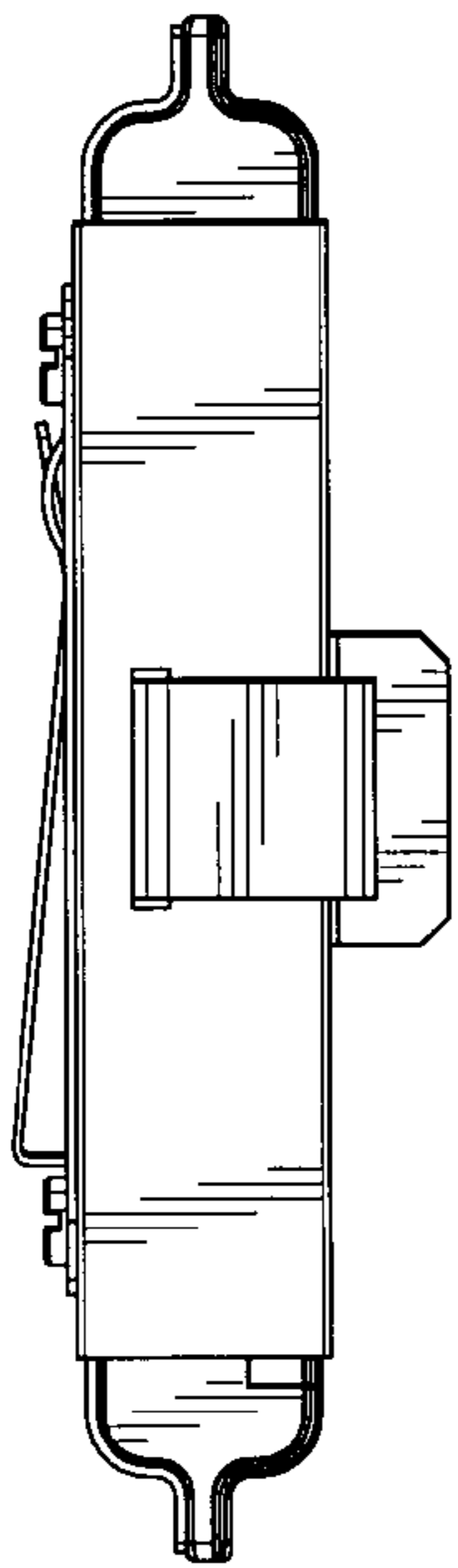


FIG. 6

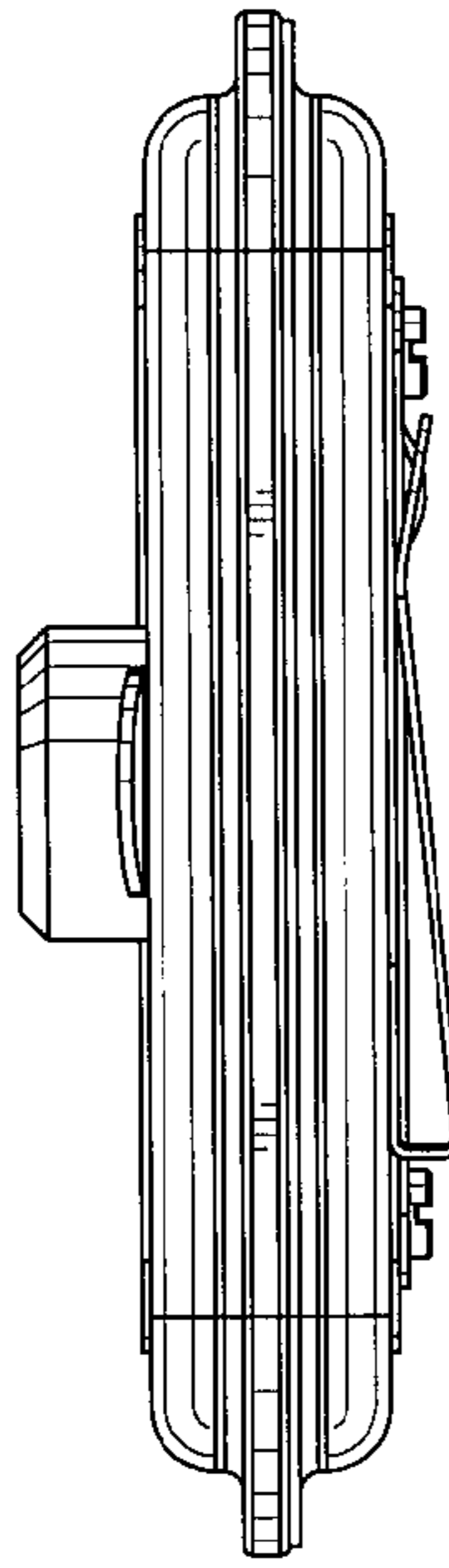


FIG. 7

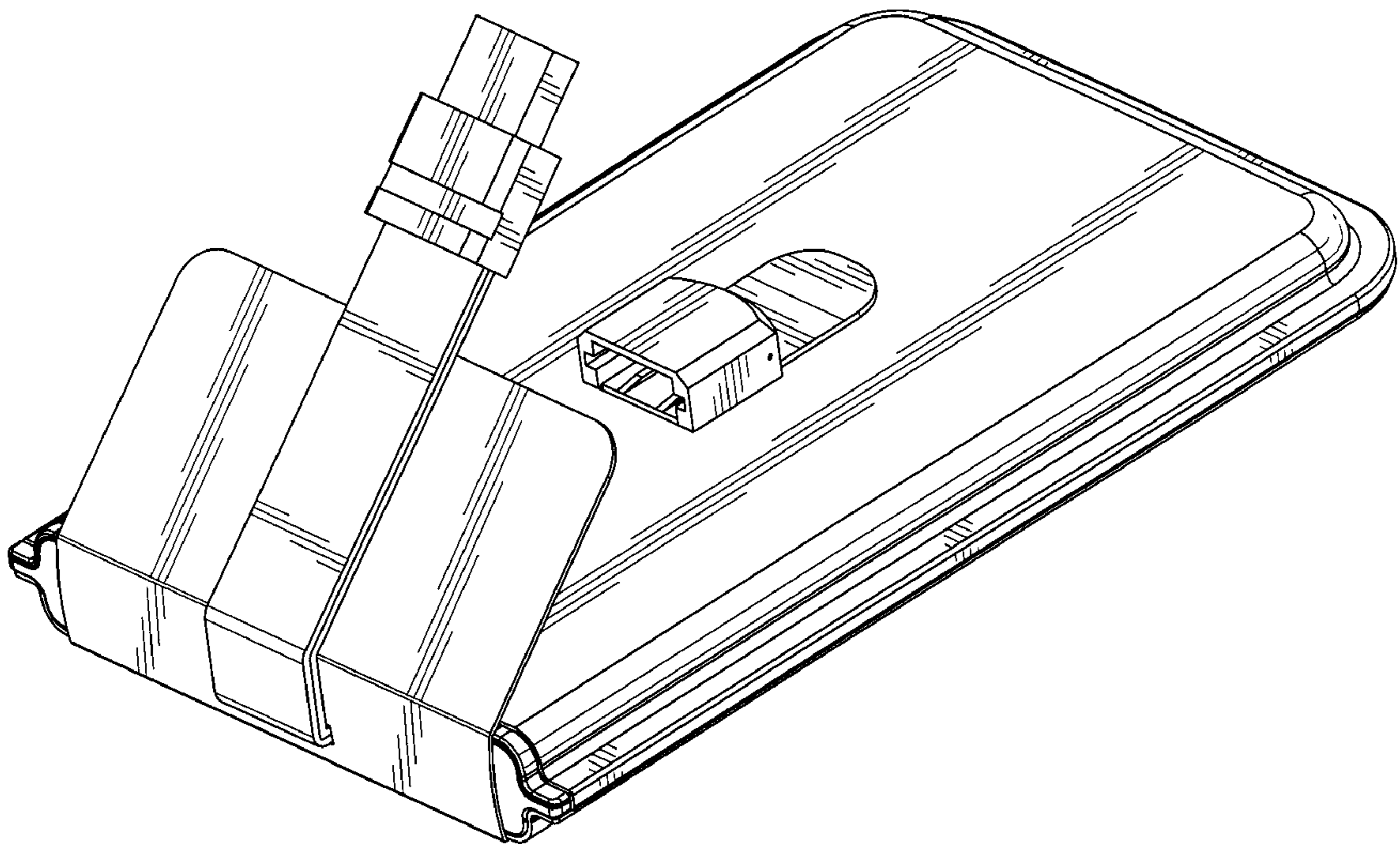


FIG. 8

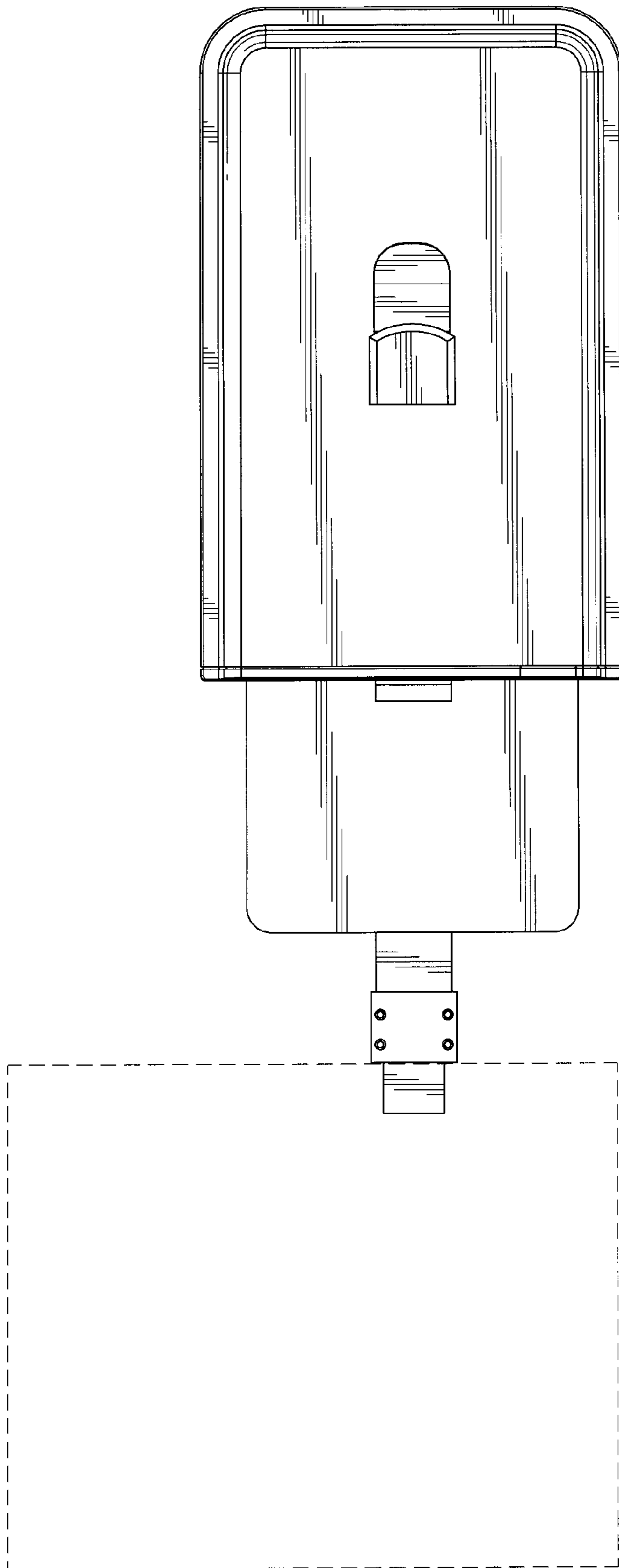


FIG. 9