

US00D581155S

(12) **United States Design Patent**  
**Richardson et al.**

(10) **Patent No.:** **US D581,155 S**  
(45) **Date of Patent:** **\*\* Nov. 25, 2008**

(54) **CASE**

(75) Inventors: **Curtis R. Richardson**, Fort Collins, CO (US); **Jason M. Thompson**, Broomfield, CO (US); **Matthew M. Glanzer**, Loveland, CO (US); **Jamie Lee Johnson**, Fort Collins, CO (US); **Alan V. Morine**, Fort Collins, CO (US)

(73) Assignee: **Otter Products, LLC**, Fort Collins, CO (US)

(\*\*) Term: **14 Years**

(21) Appl. No.: **29/298,580**

(22) Filed: **Dec. 7, 2007**

(51) **LOC (8) Cl.** ..... **03-01**  
(52) **U.S. Cl.** ..... **D3/218**  
(58) **Field of Classification Search** ..... D3/218,  
D3/201, 215, 226, 269, 272-273; 206/305,  
206/320; 455/90, 92, 42; 379/455; 224/901,  
224/904, 682-683, 666; D14/496, 156, 138  
See application file for complete search history.

(56) **References Cited**

**U.S. PATENT DOCUMENTS**

2,392,787 A 1/1946 Vermot  
D216,853 S 3/1970 Schurman  
D220,233 S 3/1971 Schurman  
D275,822 S 10/1984 Gatland et al.  
4,703,161 A 10/1987 McLean  
4,762,227 A 8/1988 Patterson  
5,092,459 A 3/1992 Uijanic et al.  
D327,646 S 7/1992 Hardigg et al.  
D329,747 S 9/1992 Embree  
D330,329 S 10/1992 Brightbill  
5,175,873 A 12/1992 Goldenburg et al.  
D335,220 S 5/1993 Ward  
D342,609 S 12/1993 Brightbill  
D347,324 S 5/1994 Dickinson  
D347,732 S 6/1994 Wentz  
D353,048 S 12/1994 VanSkiver et al.  
D381,512 S 7/1997 Green

D386,611 S 11/1997 Sheu  
D402,105 S 12/1998 Erickson  
D409,374 S 5/1999 Laba et al.  
D412,062 S 7/1999 Potter et al.  
D413,202 S 8/1999 Schmitt et al.  
D413,203 S 8/1999 Zurwelle et al.  
D419,297 S 1/2000 Richardson et al.  
D419,767 S 2/2000 Richardson et al.  
D419,768 S 2/2000 Richardson et al.  
6,031,524 A 2/2000 Kunert  
6,041,924 A 3/2000 Tajima  
6,049,813 A 4/2000 Danielson et al.  
D423,772 S 5/2000 Cooper et al.  
6,068,119 A 5/2000 Derr et al.  
D429,884 S 8/2000 Zurwelle et al.  
6,094,785 A 8/2000 Montgomery et al.

(Continued)

**OTHER PUBLICATIONS**

U.S. Appl. No. 29/284,532, filed Sep. 10, 2007.

*Primary Examiner*—Catherine R Oliver  
(74) *Attorney, Agent, or Firm*—William W. Cochran;  
Cochran Freund & Young LLC

(57) **CLAIM**

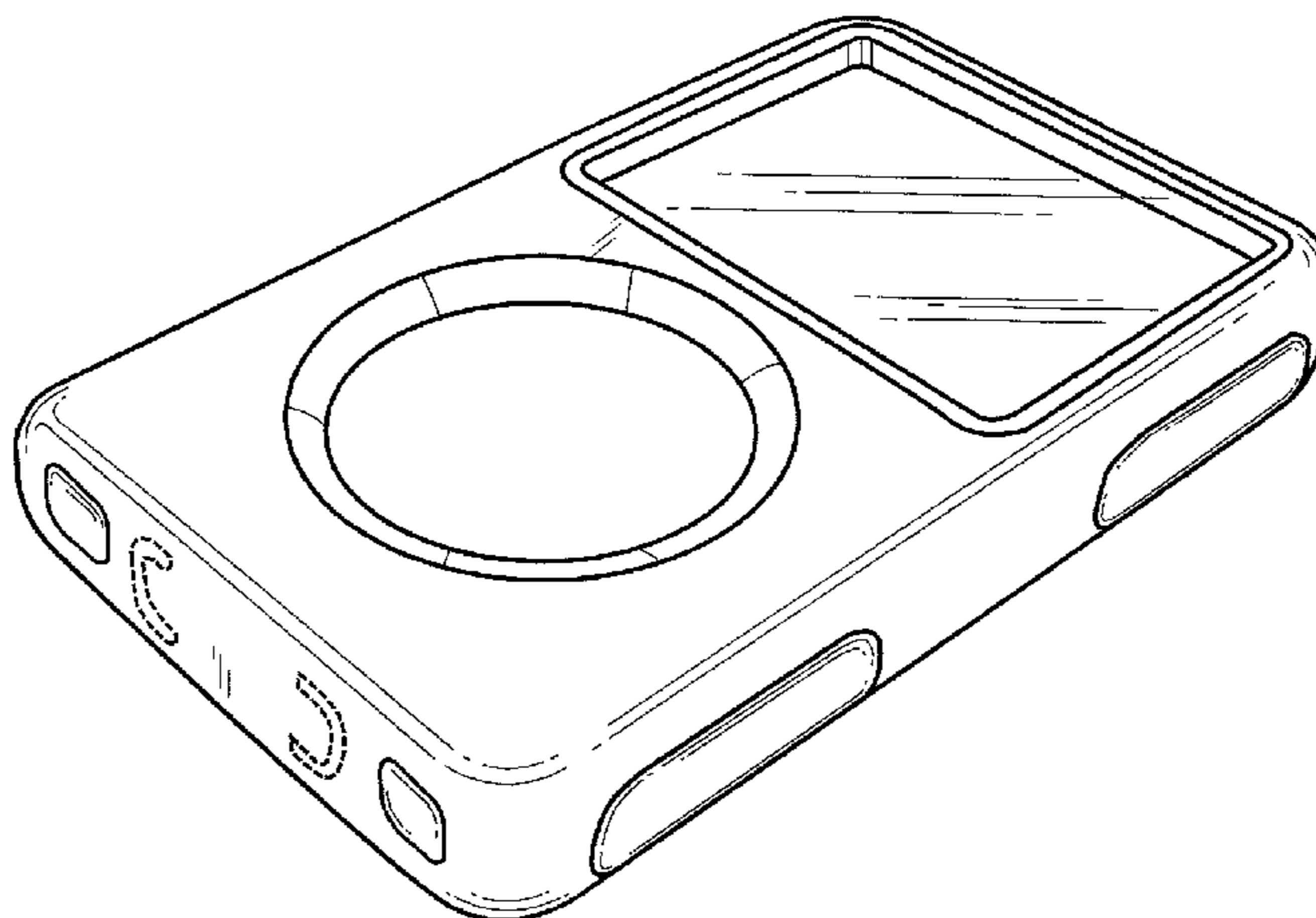
The ornamental design for a case, as shown and described.

**DESCRIPTION**

FIG. 1 is an isometric view of a case showing our new design.  
FIG. 2 is a front view thereof.  
FIG. 3 is a top view thereof.  
FIG. 4 is a left side view thereof.  
FIG. 5 is a right side view thereof.  
FIG. 6 is a bottom view thereof; and,  
FIG. 7 is a rear view thereof.

The broken line showing of environment in the drawings is included for the purpose of illustrating only and forms no part of the claimed design.

**1 Claim, 4 Drawing Sheets**



# US D581,155 S

Page 2

## U.S. PATENT DOCUMENTS

D433,798 S	11/2000	Weinstock	6,646,864 B2	11/2003	Richardson et al.
D439,407 S	3/2001	Parker	6,665,174 B1	12/2003	Derr et al.
6,215,474 B1	4/2001	Shah	D513,123 S	12/2005	Richardson et al.
D441,954 S	5/2001	Parker	D513,451 S	1/2006	Richardson et al.
6,239,968 B1	5/2001	Kim et al.	D514,808 S	2/2006	Morine et al.
D443,133 S	6/2001	Richardson et al.	6,995,976 B2	2/2006	Richardson et al.
6,273,252 B1	8/2001	Mitchell	D516,309 S	3/2006	Richardson et al.
6,301,100 B1	10/2001	Iwata	D516,553 S	3/2006	Richardson et al.
6,313,892 B2	11/2001	Gleckman	D516,556 S	3/2006	Richardson et al.
6,317,313 B1	11/2001	Mosgrove et al.	D516,807 S	3/2006	Richardson et al.
6,415,138 B2	7/2002	Sirola et al.	D526,780 S	8/2006	Richardson et al.
6,445,577 B1	9/2002	Madsen et al.	D530,079 S	10/2006	Richardson et al.
6,456,487 B1	9/2002	Hetterick et al.	7,158,376 B2	1/2007	Richardson et al.
D464,196 S	10/2002	Parker	7,180,735 B2	2/2007	Richardson et al.
6,471,056 B1	10/2002	Tzeng	D542,524 S	5/2007	Richardson et al.
D465,330 S	11/2002	Parker	D553,852 S *	10/2007	Brandenburg ..... D3/218
D470,659 S	2/2003	Story et al.	D556,448 S *	12/2007	Brandenburg ..... D3/218
6,519,141 B2	2/2003	Tseng et al.	D557,205 S *	12/2007	Kim ..... D3/218
6,536,589 B2	3/2003	Chang	D563,093 S *	3/2008	Nussberger et al. .... D3/201
D472,384 S	4/2003	Richardson	D566,962 S *	4/2008	Griffin et al. .... D3/218
			2002/0101707 A1	8/2002	Canova et al.

\* cited by examiner

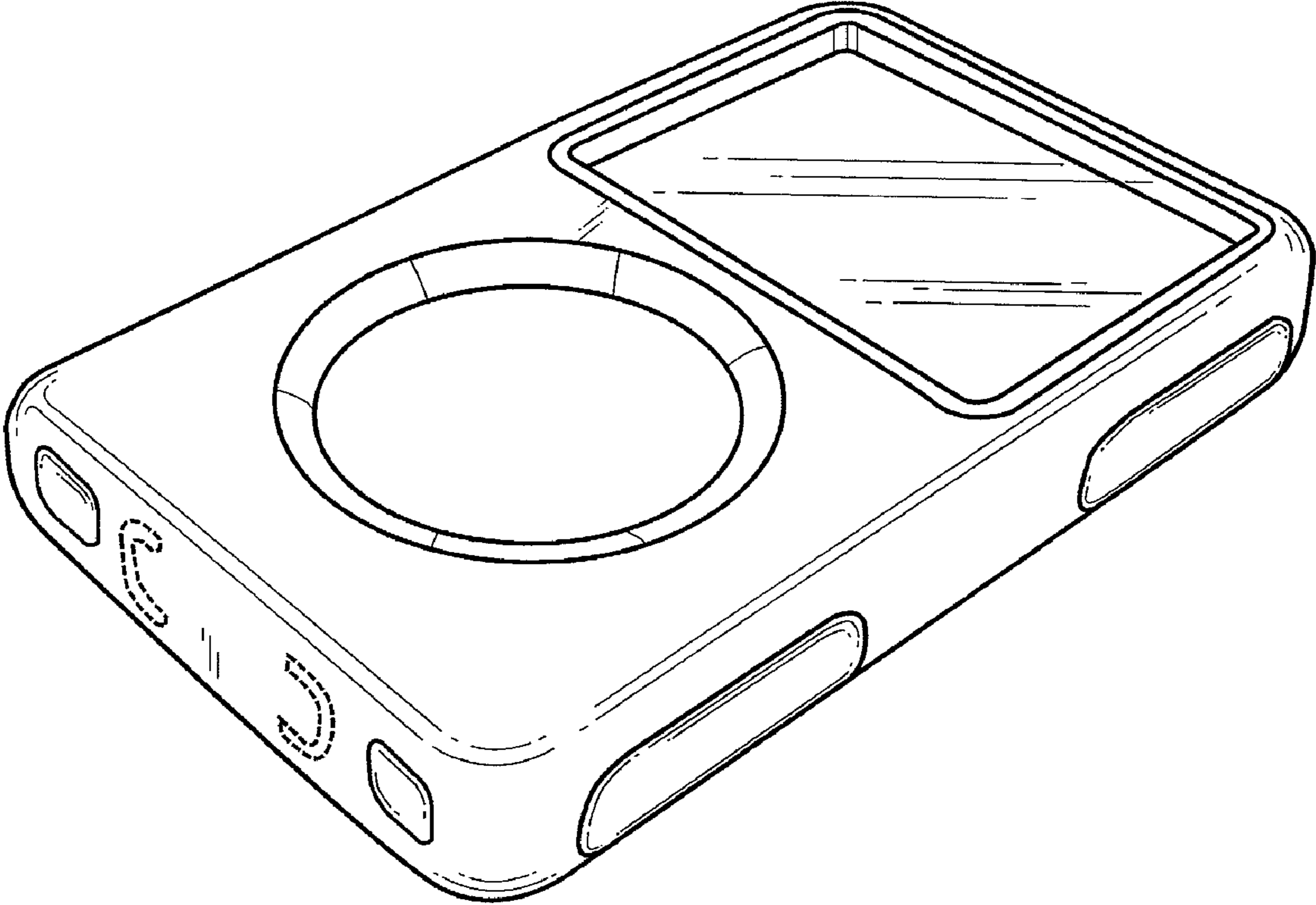


FIG. 1

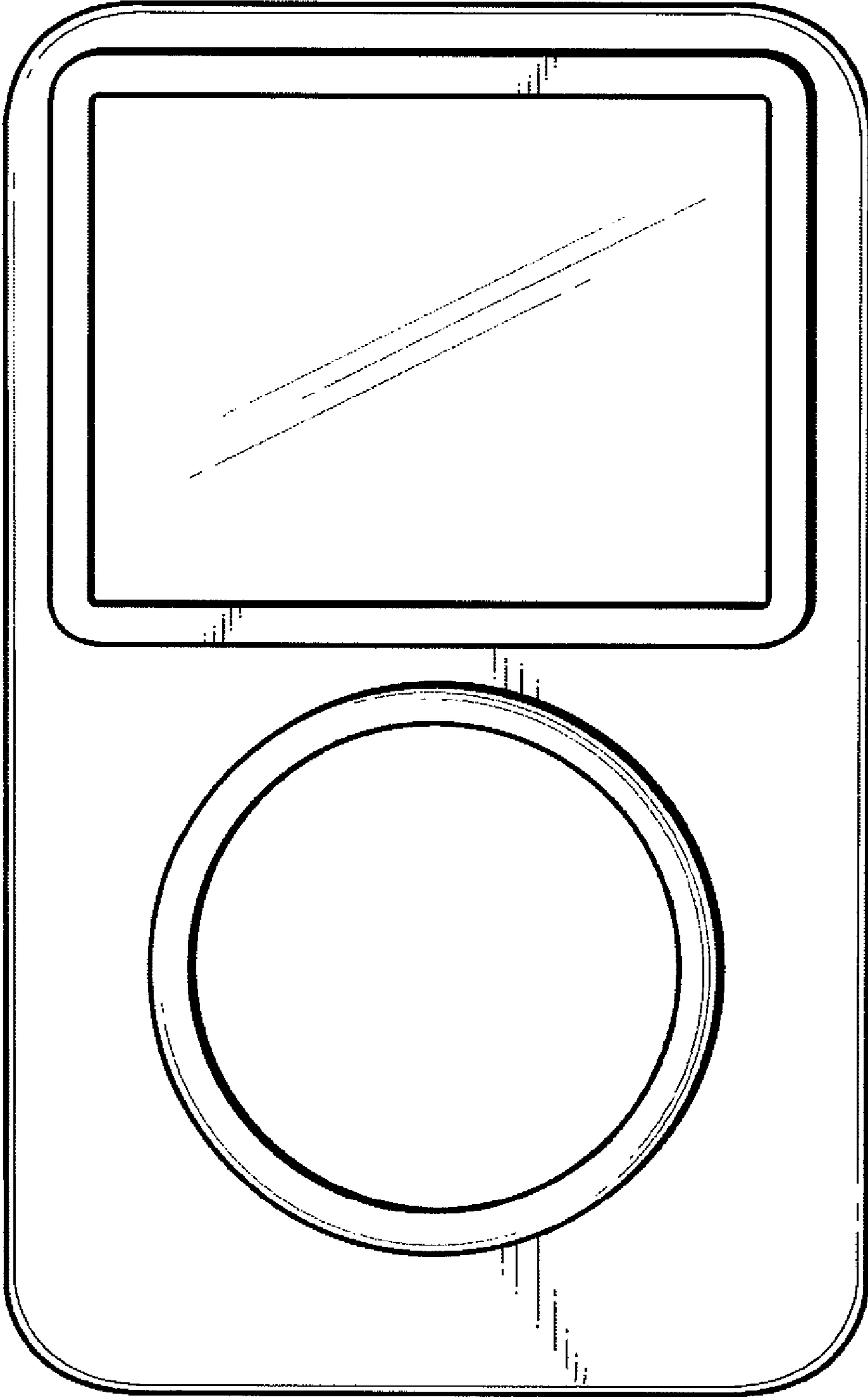


FIG. 2

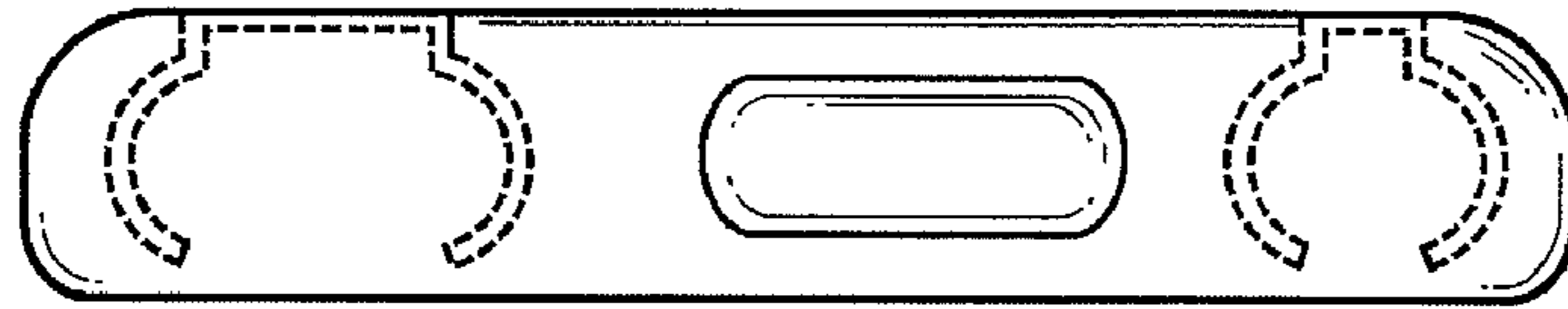


FIG. 3

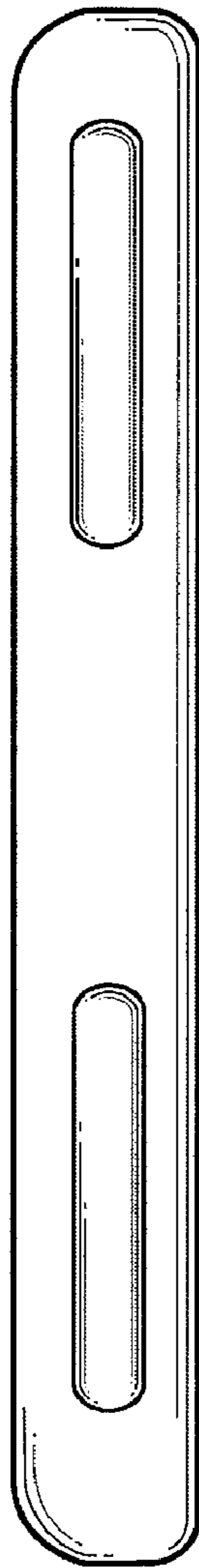


FIG. 4

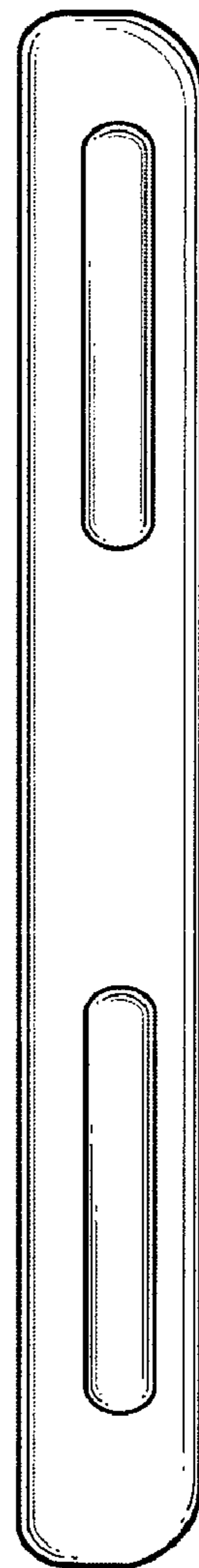


FIG. 5

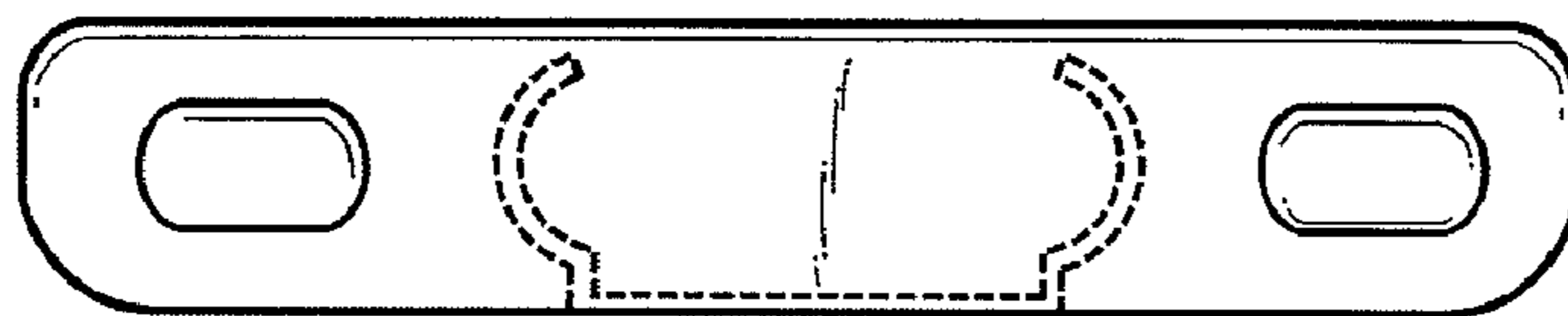


FIG. 6



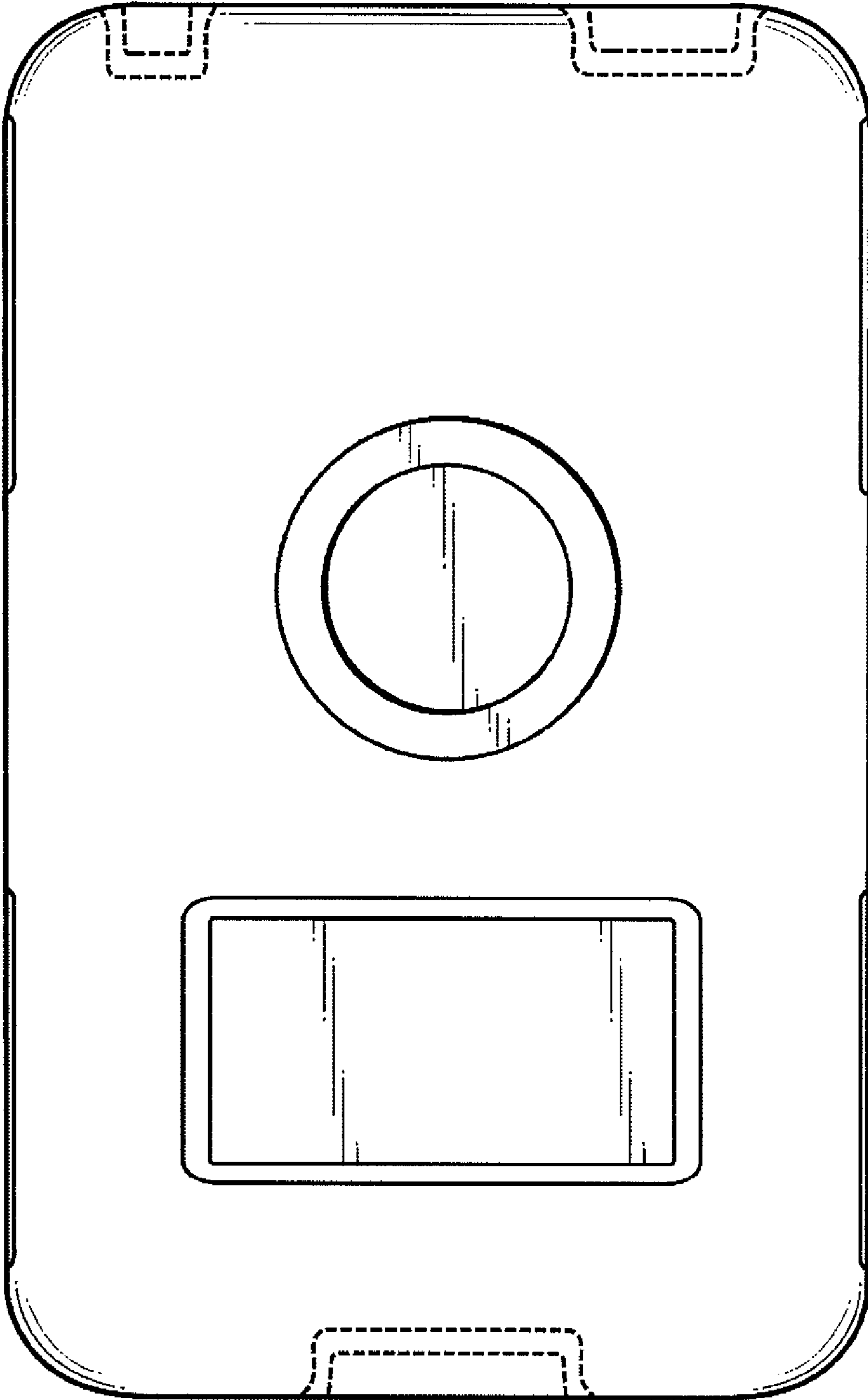


FIG. 7