



US00D581152S

(12) **United States Design Patent**  
**Karl et al.**

(10) **Patent No.:** **US D581,152 S**  
(45) **Date of Patent:** **\*\* Nov. 25, 2008**

(54) **PERSONAL HYDRATION SYSTEM  
RESERVOIR**

(75) Inventors: **Frederick T. Karl**, West Linn, OR (US);  
**Brie G. Karl**, West Linn, OR (US);  
**William M. Dieter**, Portland, OR (US);  
**Cynthia L. Maletz**, Portland, OR (US)

(73) Assignee: **Fiskars Brands, Inc.**, Madison, WI (US)

(\*\*) Term: **14 Years**

(21) Appl. No.: **29/285,027**

(22) Filed: **Mar. 19, 2007**

(51) **LOC (8) Cl.** ..... **09-02**

(52) **U.S. Cl.** ..... **D3/202**

(58) **Field of Classification Search** ..... D3/202;  
224/148.1, 148.2, 148.3, 148.4, 148.5, 92,  
224/94; D9/453, 707-708, 305-306; 222/175,  
222/105, 148.2, 107, 92; 383/66, 33, 42,  
383/93, 107, 204, 209, 905; D24/118, 11  
See application file for complete search history.

(56) **References Cited**

**U.S. PATENT DOCUMENTS**

D32,787 S	6/1900	La Vigne
4,193,518 A	3/1980	Holmes
4,850,566 A	7/1989	Riggert
4,852,781 A	8/1989	Shurnick et al.
4,948,023 A	8/1990	Tripp
5,060,833 A	10/1991	Edison et al.
5,085,349 A	2/1992	Fawcett
5,115,947 A *	5/1992	McDonnell et al. .... 222/107
5,263,618 A	11/1993	Talavera
5,427,290 A	6/1995	Thatcher
5,524,612 A	6/1996	Chen
5,571,260 A	11/1996	Krug
5,645,404 A	7/1997	Zelenak
5,727,714 A	3/1998	Fawcett
5,730,336 A	3/1998	Lerner
D398,776 S	9/1998	Fawcett
5,803,333 A	9/1998	Fawcett
5,806,726 A	9/1998	Ho

D400,252 S	10/1998	Ropiak et al.
5,911,406 A	6/1999	Winefordner et al.
5,913,456 A	6/1999	Dikeman
D411,915 S	7/1999	George
5,971,357 A	10/1999	Denton et al.
6,032,831 A	3/2000	Gardner et al.
6,039,305 A	3/2000	Hoskins et al.
6,070,767 A	6/2000	Gardner et al.
D436,846 S	1/2001	Millon
6,199,729 B1	3/2001	Drzymkowski
6,241,135 B1	6/2001	Thatcher
6,283,344 B1	9/2001	Bradley
6,364,168 B1	4/2002	Gardner et al.
6,409,048 B1	6/2002	Belzeski
6,497,348 B2	12/2002	Forsman et al.
D476,079 S	6/2003	Kubalak et al.

(Continued)

**OTHER PUBLICATIONS**

PCT International Search Report based on International Application No. PCT/US2004/014179, date of mailing of the International Search Report Dec. 20, 2004 (2 pgs.).

*Primary Examiner*—Catherine R Oliver  
(74) *Attorney, Agent, or Firm*—Foley & Lardner LLP

(57) **CLAIM**

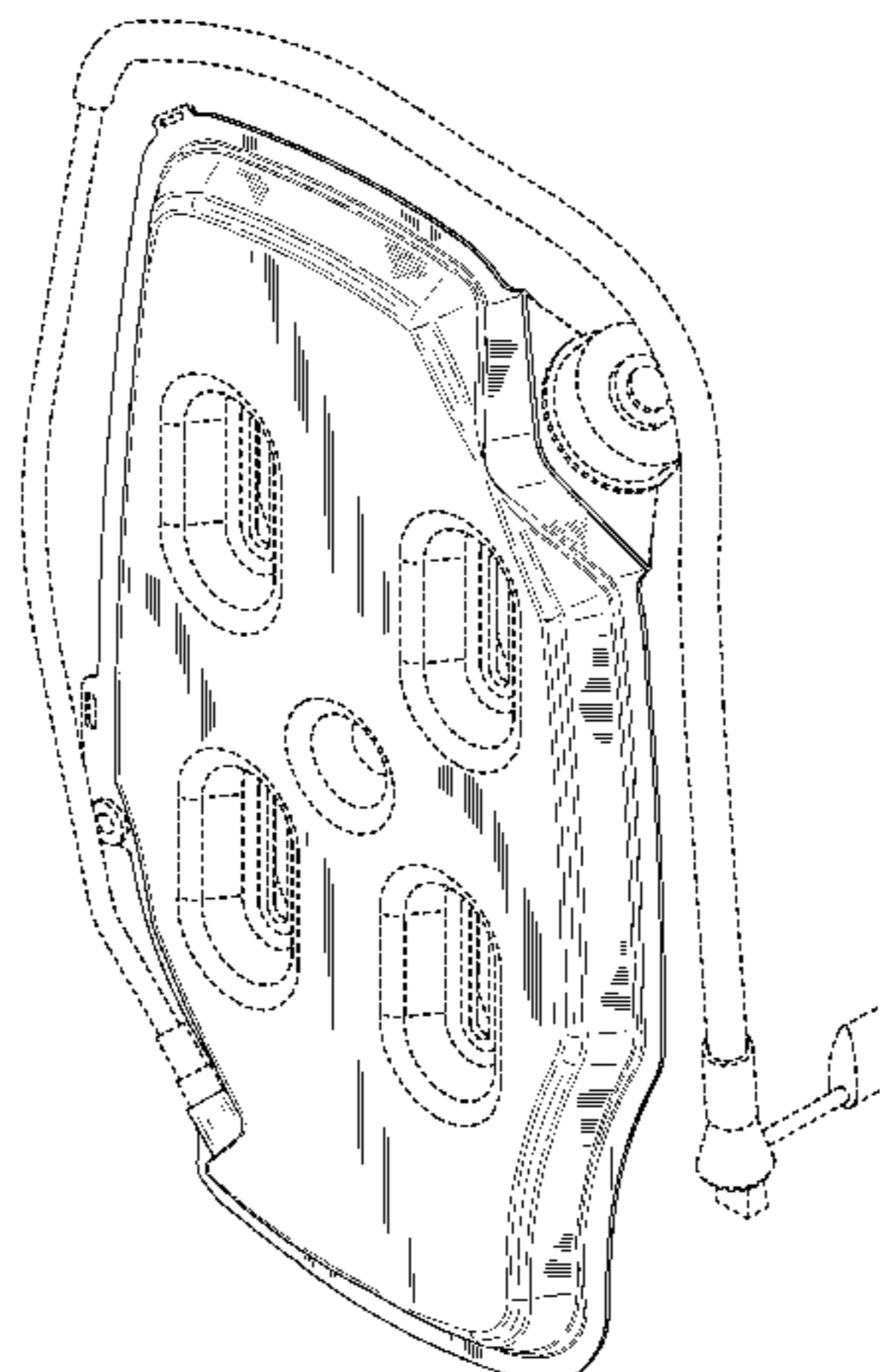
We claim the ornamental design for a personal hydration system reservoir, as shown and described.

**DESCRIPTION**

FIG. 1 is a front perspective view of the claimed design.  
FIG. 2 is a front elevation view of the claimed design.  
FIG. 3 is a left side view of the claimed design.  
FIG. 4 is a right side view of the claimed design.  
FIG. 5 is a top view of the claimed design; and,  
FIG. 6 is a bottom view of the claimed design.

The ornamental design which is claimed is shown in solid lines in the drawings. The broken lines in the drawings are for illustrative purposes only and form no part of the claimed design.

**1 Claim, 4 Drawing Sheets**



# US D581,152 S

Page 2

---

## U.S. PATENT DOCUMENTS

2004/0007605	A1	1/2004	Mares	2002/0092877	A1	7/2002	Bowman
2004/0045980	A1	3/2004	Robins	2002/0112502	A1	8/2002	Fiore, Jr.
2005/0029313	A1	2/2005	Robins et al.	2002/0113101	A1	8/2002	Skillern
2005/0029319	A1	2/2005	Robins et al.	2003/0168470	A1	9/2003	Choi et al.
2005/0072804	A1	4/2005	Brown	2003/0218035	A1	11/2003	Willows et al.
2006/0163284	A1	7/2006	Karl et al.	2004/0000570	A1	1/2004	Forsman
D538,030	S *	3/2007	Karl et al. ....	6,666,360	B1	12/2003	Swank
D539,028	S	3/2007	Robins et al.	6,675,998	B2	1/2004	Forsman et al.

\* cited by examiner

FIGURE 1

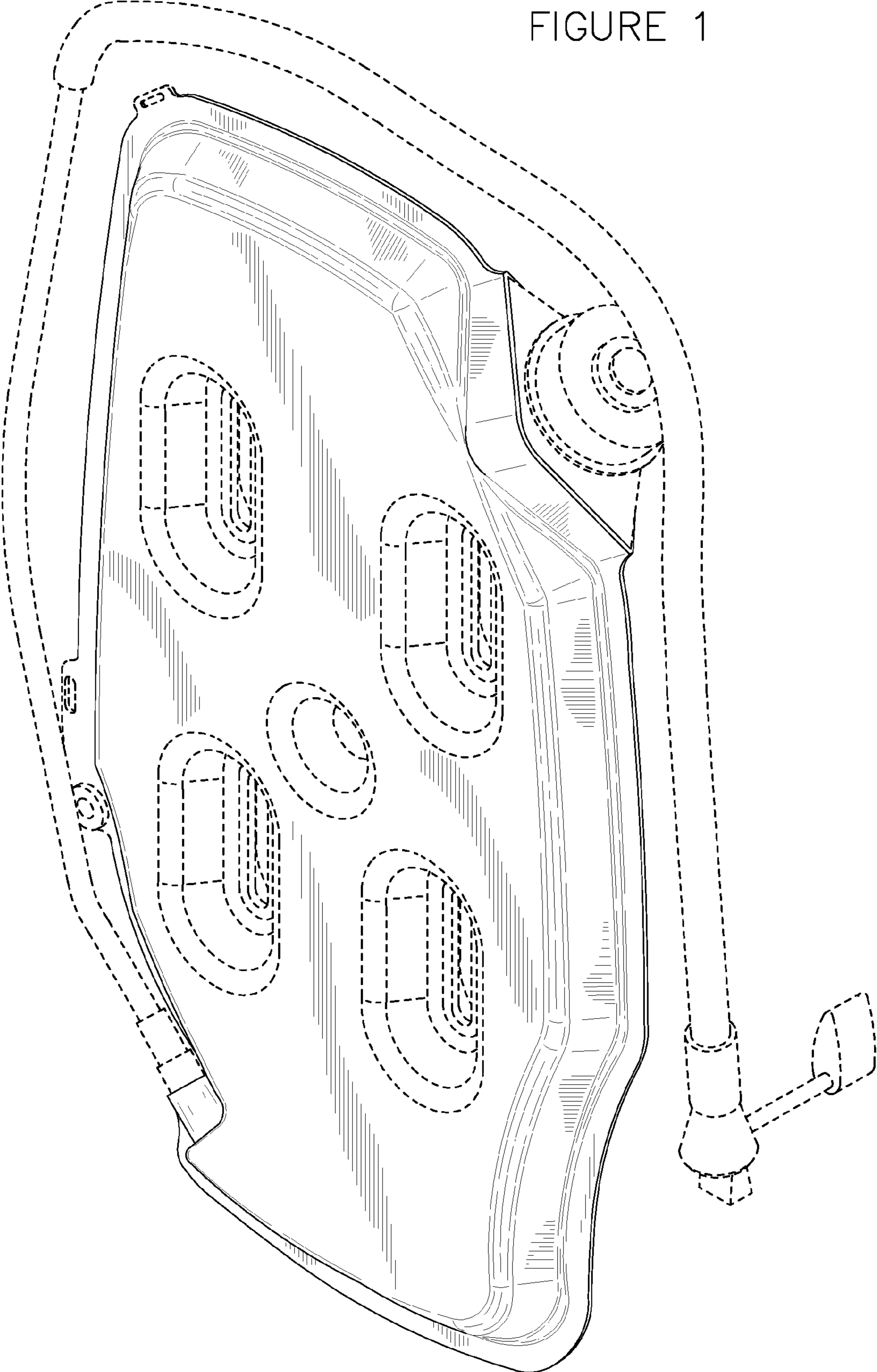


FIGURE 2

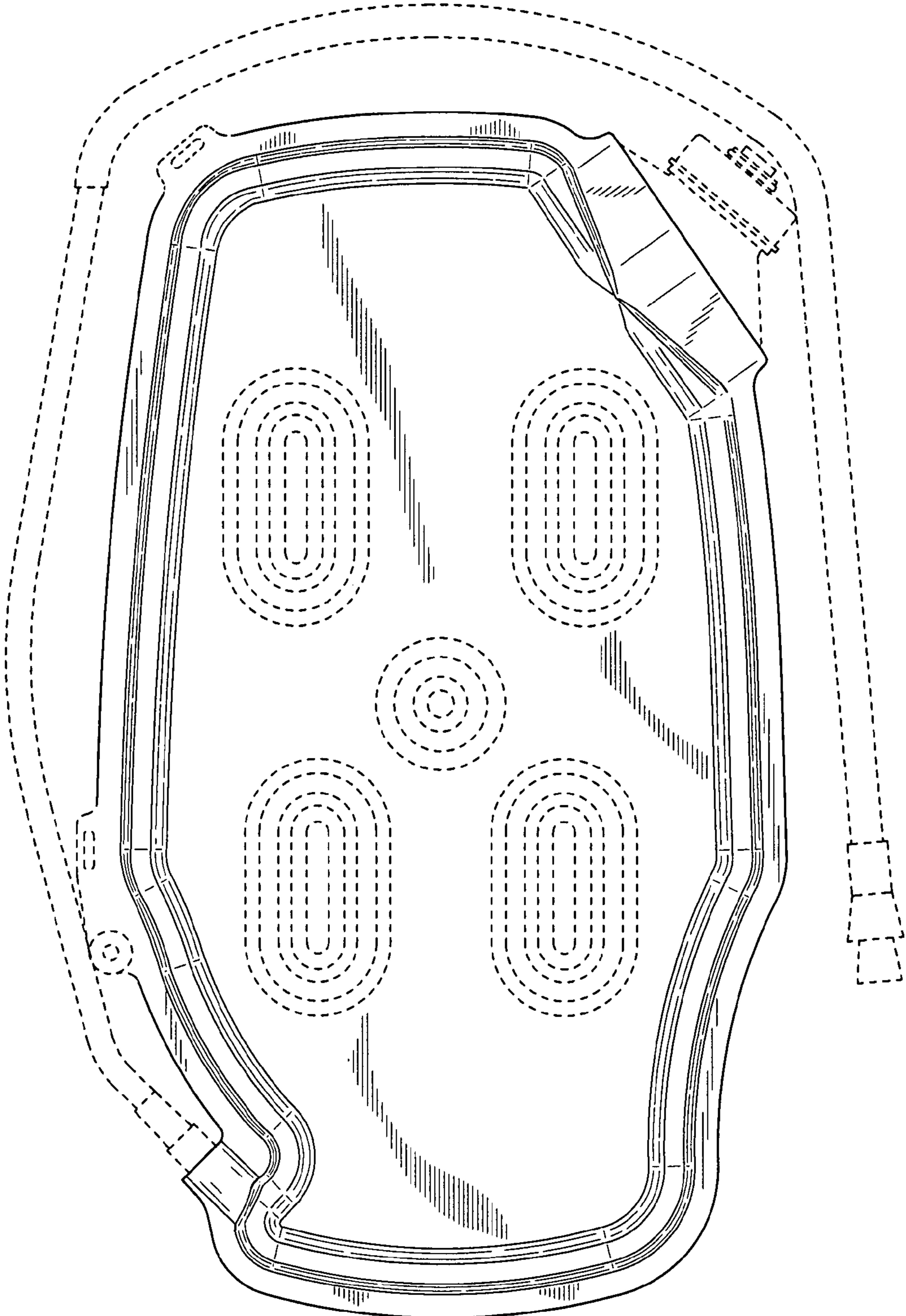


FIGURE 3

FIGURE 4

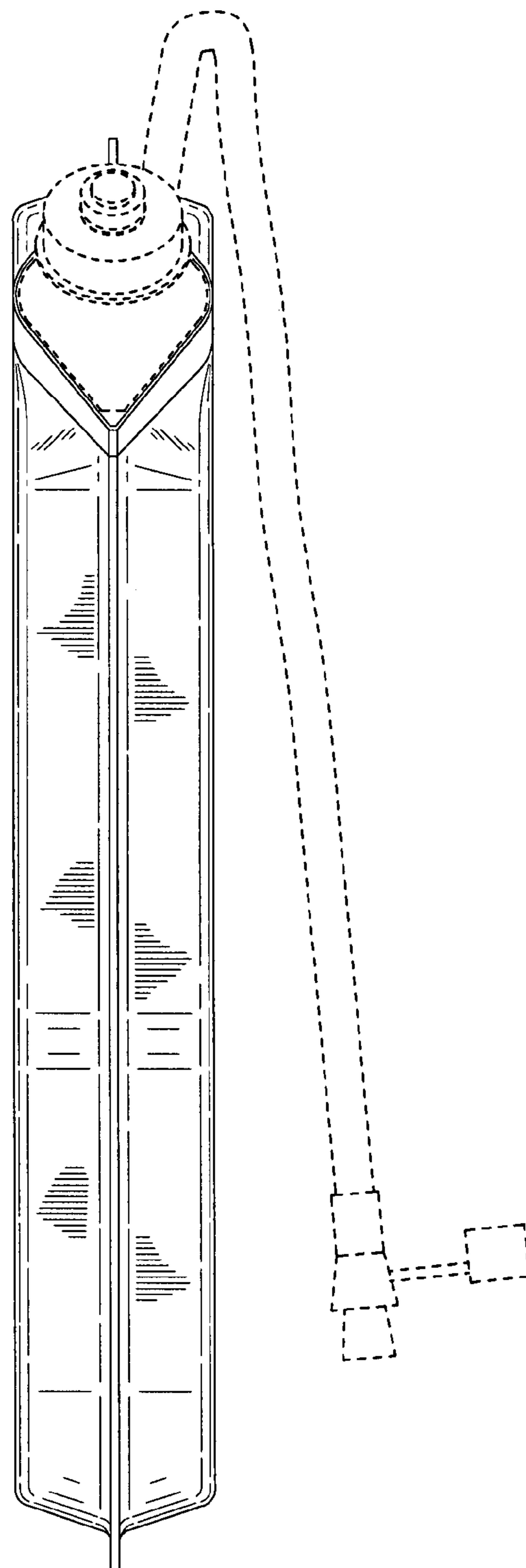
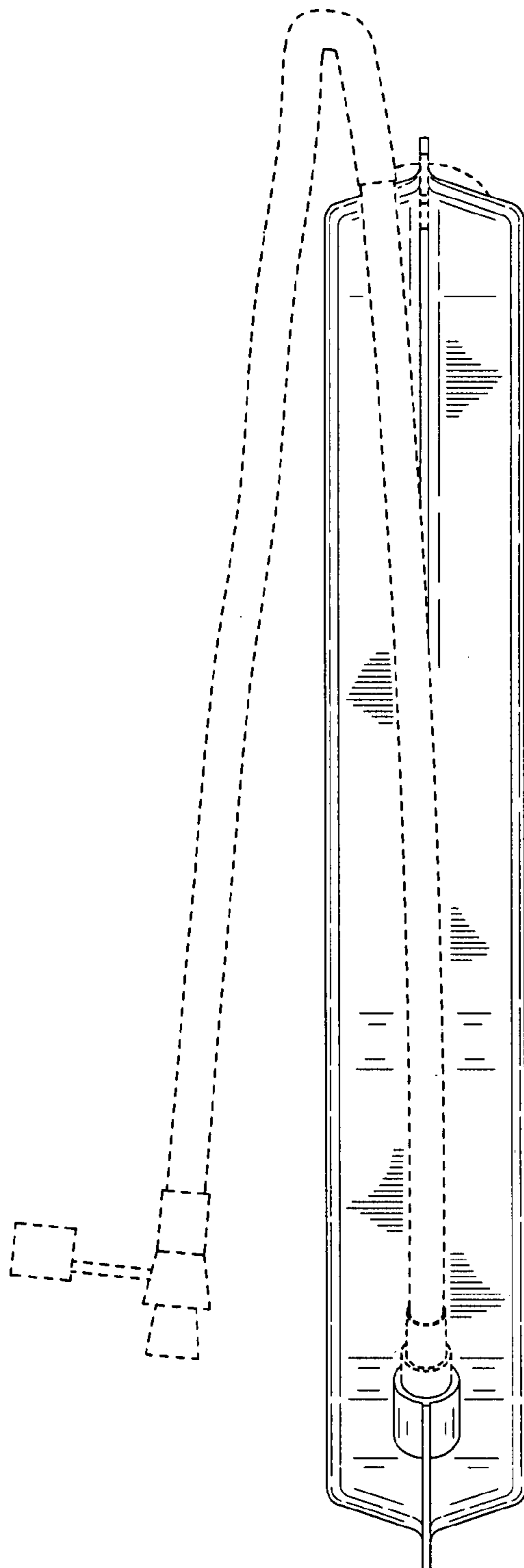


FIGURE 5

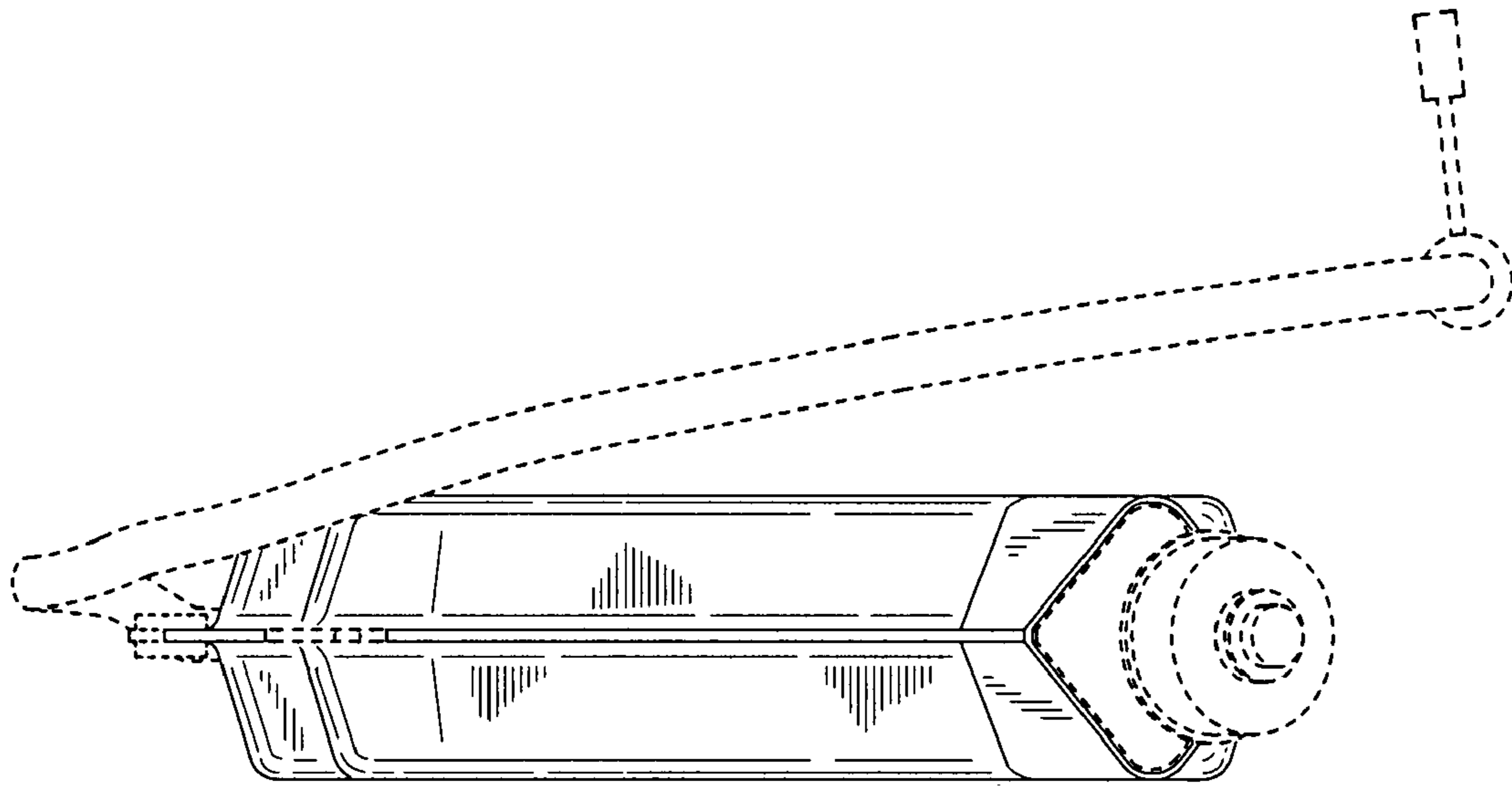


FIGURE 6

