



US00D581138S

(12) **United States Design Patent**
White et al.

(10) **Patent No.:** **US D581,138 S**

(45) **Date of Patent:** **** Nov. 25, 2008**

(54) **CLOG**

(75) Inventors: **Erin D. White**, Lawrence, KS (US);
David J. Nielsen, Topeka, KS (US);
Robert M. Mingione, New York, NY
(US); **Bernard C. Figueroa**, Asbury
Park, NJ (US); **Joseph M. Wallace**,
Lawrence, KS (US)

(73) Assignee: **Payless ShoeSource Worldwide, Inc.**,
Topeka, KS (US)

(**) Term: **14 Years**

(21) Appl. No.: **29/298,579**

(22) Filed: **Dec. 7, 2007**

(51) **LOC (8) Cl.** **02-04**

(52) **U.S. Cl.** **D2/896; D2/923; D2/926**

(58) **Field of Classification Search** D2/896,
D2/902, 903, 919, 923, 925, 926, 969, 951,
D2/953-955; 36/1, 83, 113, 114, 116, 4,
36/24.5, 26, 87

See application file for complete search history.

(56) **References Cited**

U.S. PATENT DOCUMENTS

D155,956 S * 11/1949 Wood D2/969
D228,266 S * 9/1973 Famolare D2/926
D247,073 S * 1/1978 Kane et al. D2/926
D310,289 S * 9/1990 Farina D2/926

D395,540 S * 6/1998 Gaudio D2/954
D418,662 S * 1/2000 Bergmans D2/926
D479,034 S * 9/2003 Tzenos D2/926
D517,790 S * 3/2006 Seamans D2/969
D545,032 S * 6/2007 Wolf D2/923
D545,033 S * 6/2007 Wolf D2/926
D554,331 S * 11/2007 Matis D2/954
D561,982 S * 2/2008 Hoyt D2/896
D567,481 S * 4/2008 Hoyt D2/896
D571,986 S * 7/2008 Horton D2/953
D573,778 S * 7/2008 Hawker D2/896

* cited by examiner

Primary Examiner—Dominic Simone

(74) *Attorney, Agent, or Firm*—Lathrop & Gage LC

(57) **CLAIM**

The ornamental design for a clog, as shown and described.

DESCRIPTION

FIG. 1 is a right perspective view of a clog showing our new design;

FIG. 2 is a top plan view thereof;

FIG. 3 is a bottom plan view thereof;

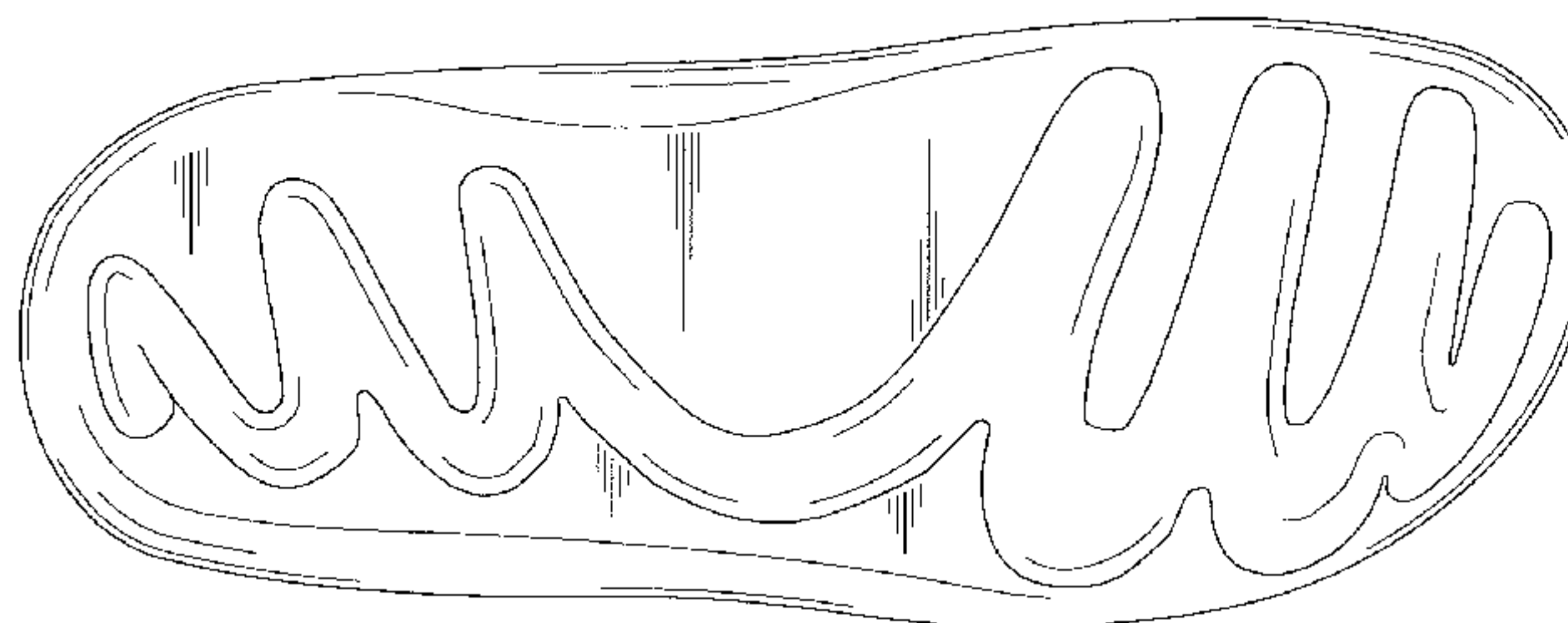
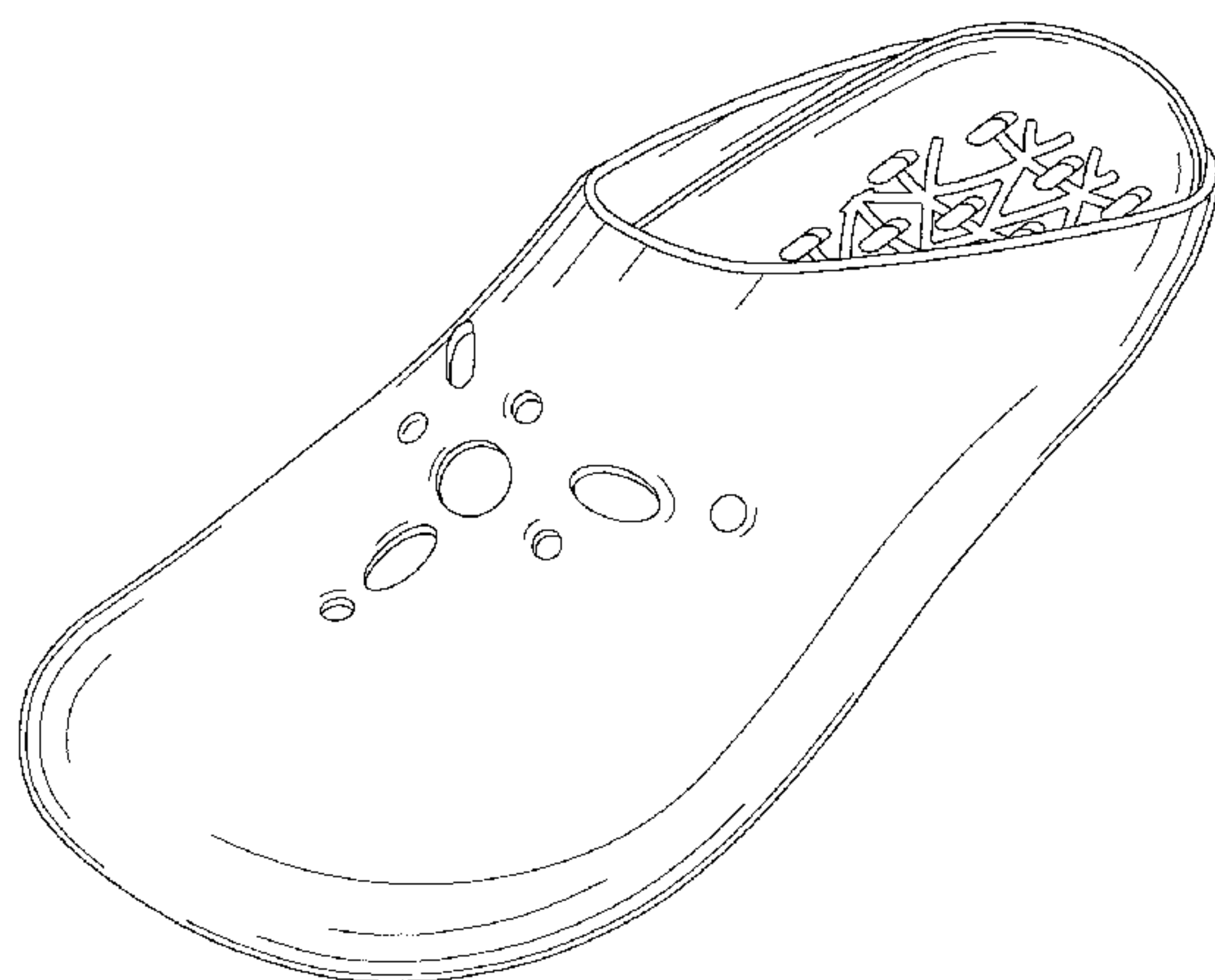
FIG. 4 is a right side elevational view thereof;

FIG. 5 is a left side elevational view thereof;

FIG. 6 is a front elevational view thereof; and,

FIG. 7 is a rear elevational view thereof.

1 Claim, 4 Drawing Sheets



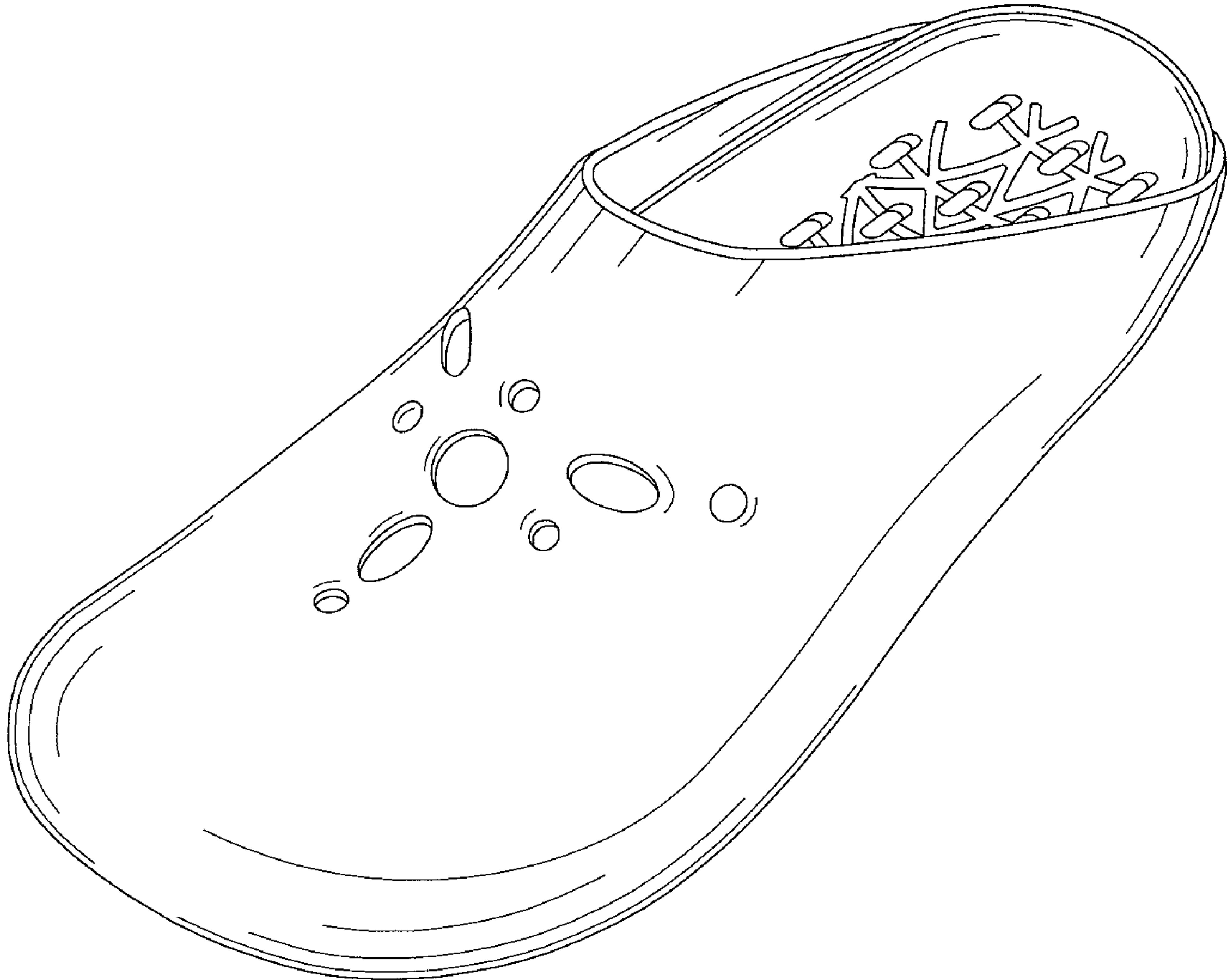


FIG. 1

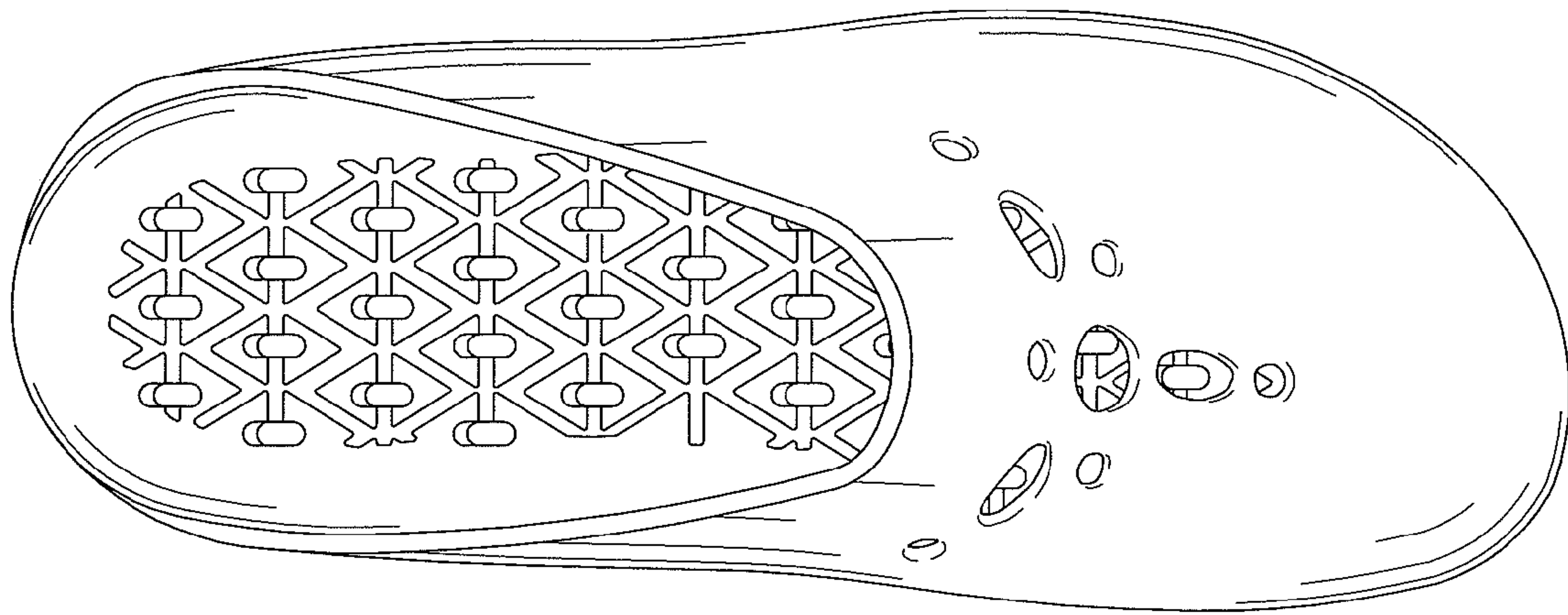


FIG. 2

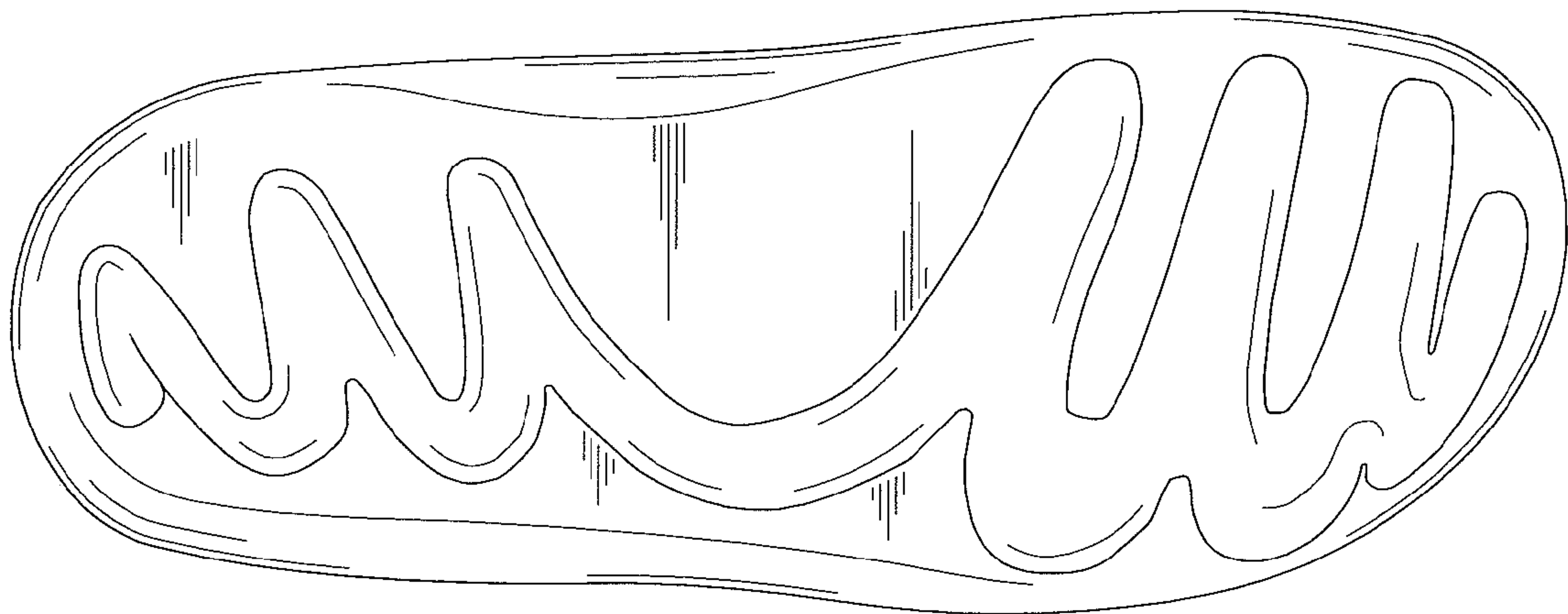


FIG. 3

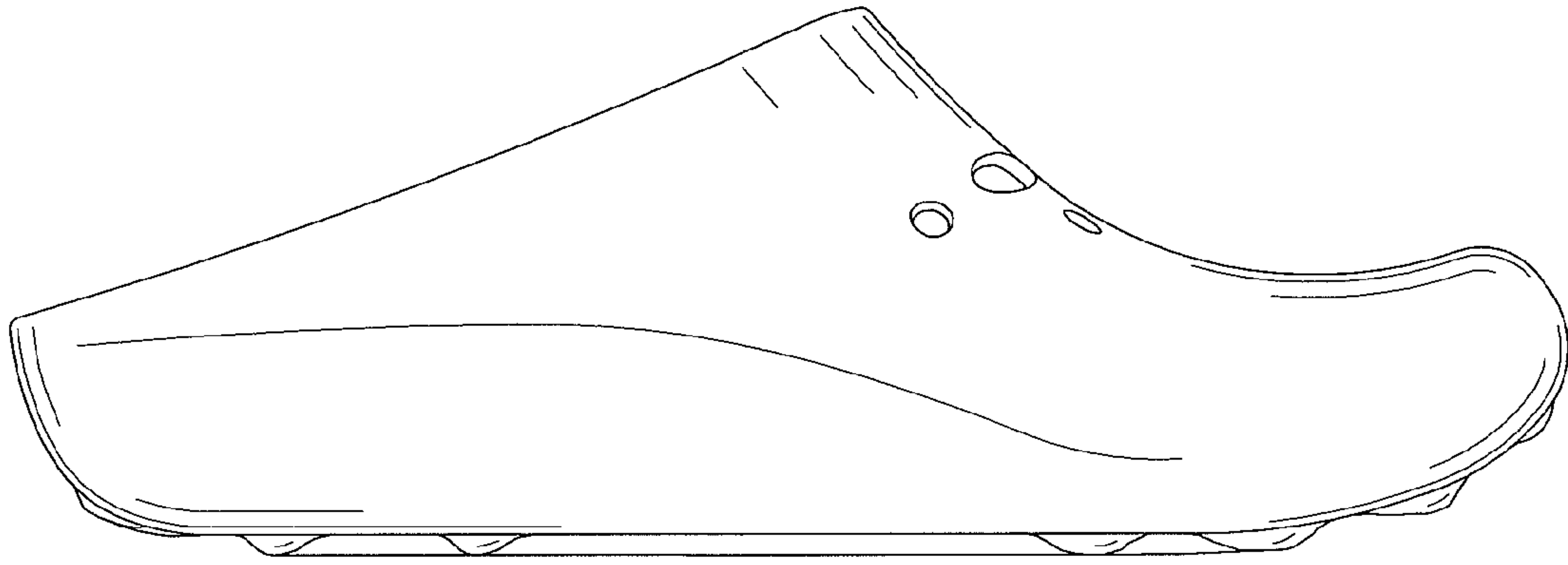


FIG. 4

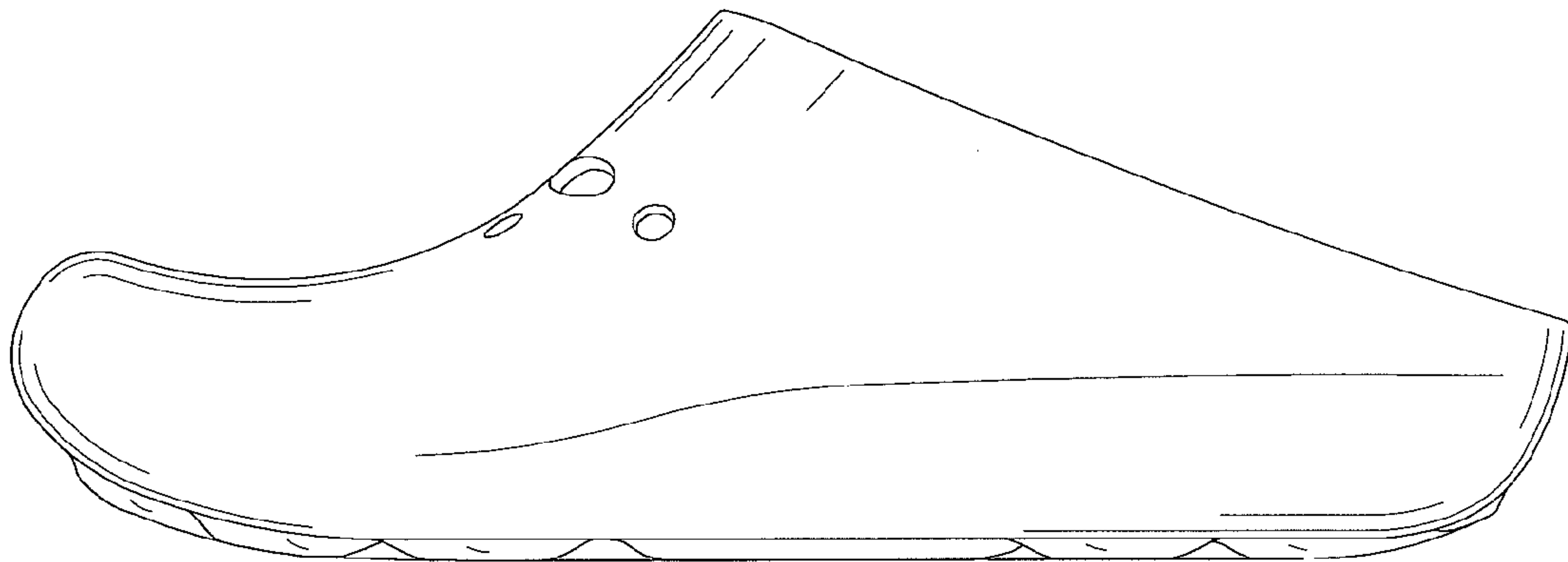


FIG. 5

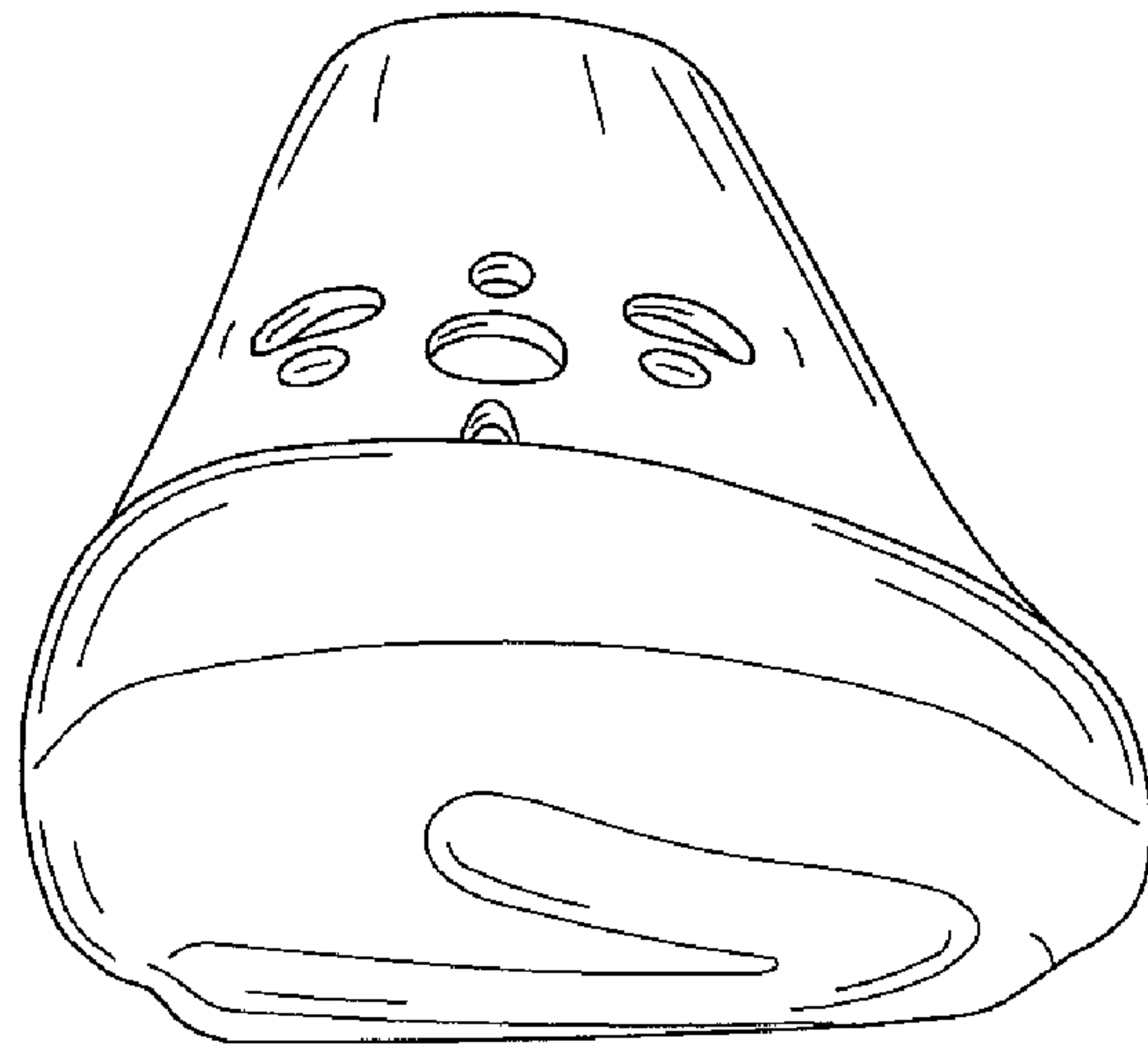


FIG. 6

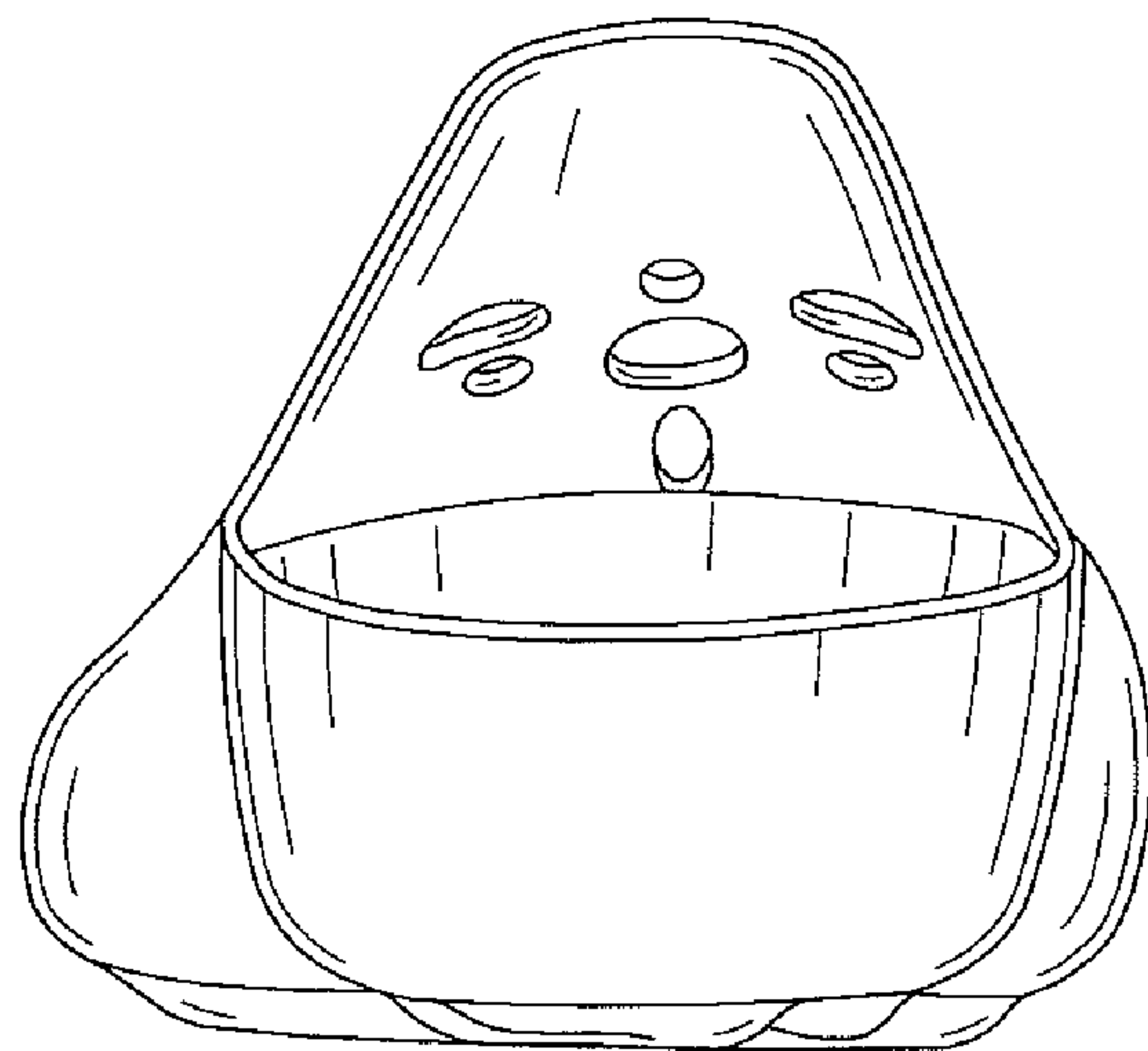


FIG. 7