



US00D581133S

(12) **United States Design Patent**  
**Seguin**

(10) **Patent No.:** **US D581,133 S**

(45) **Date of Patent:** **\*\* Nov. 25, 2008**

(54) **BUTTOCK REGION OF A PAIR OF  
FIREFIGHTER PANTS**

D464,790 S \* 10/2002 Townes et al. .... D2/739  
7,065,796 B2 \* 6/2006 Watkins et al. .... 2/227  
D534,709 S \* 1/2007 Dipietro ..... D2/742

(75) Inventor: **Catherine Seguin**, Montreal (CA)

(73) Assignee: **Sperian Protective Apparel, Ltd.**,  
Montreal, Quebec (CA)

(\*\*) Term: **14 Years**

(21) Appl. No.: **29/228,596**

(22) Filed: **Apr. 26, 2005**

(51) **LOC (8) Cl.** ..... **02-01**

(52) **U.S. Cl.** ..... **D2/739; D2/742**

(58) **Field of Classification Search** ..... D2/705,  
D2/731, 735-737, 743, 742, 720, 738, 857,  
D2/858, 739, 840, 841, 847, 849, 853, 760,  
D2/793, 794, 796, 706-710; 2/275, 400,  
2/267, 227, 236, 237, 115, 119, 106; 450/57;  
D29/101.2, 101.3, 101.5, 124

See application file for complete search history.

(56) **References Cited**

**U.S. PATENT DOCUMENTS**

D415,335 S \* 10/1999 Castiglione ..... D2/861  
D463,094 S \* 9/2002 Haselmayer et al. .... D2/739

\* cited by examiner

*Primary Examiner*—Charles A. Rademaker

*Assistant Examiner*—Charles D Hanson

(74) *Attorney, Agent, or Firm*—Ladas & Parry LLP

(57) **CLAIM**

The ornamental design for a buttock region of a pair of fire-  
fighter pants, as shown and described.

**DESCRIPTION**

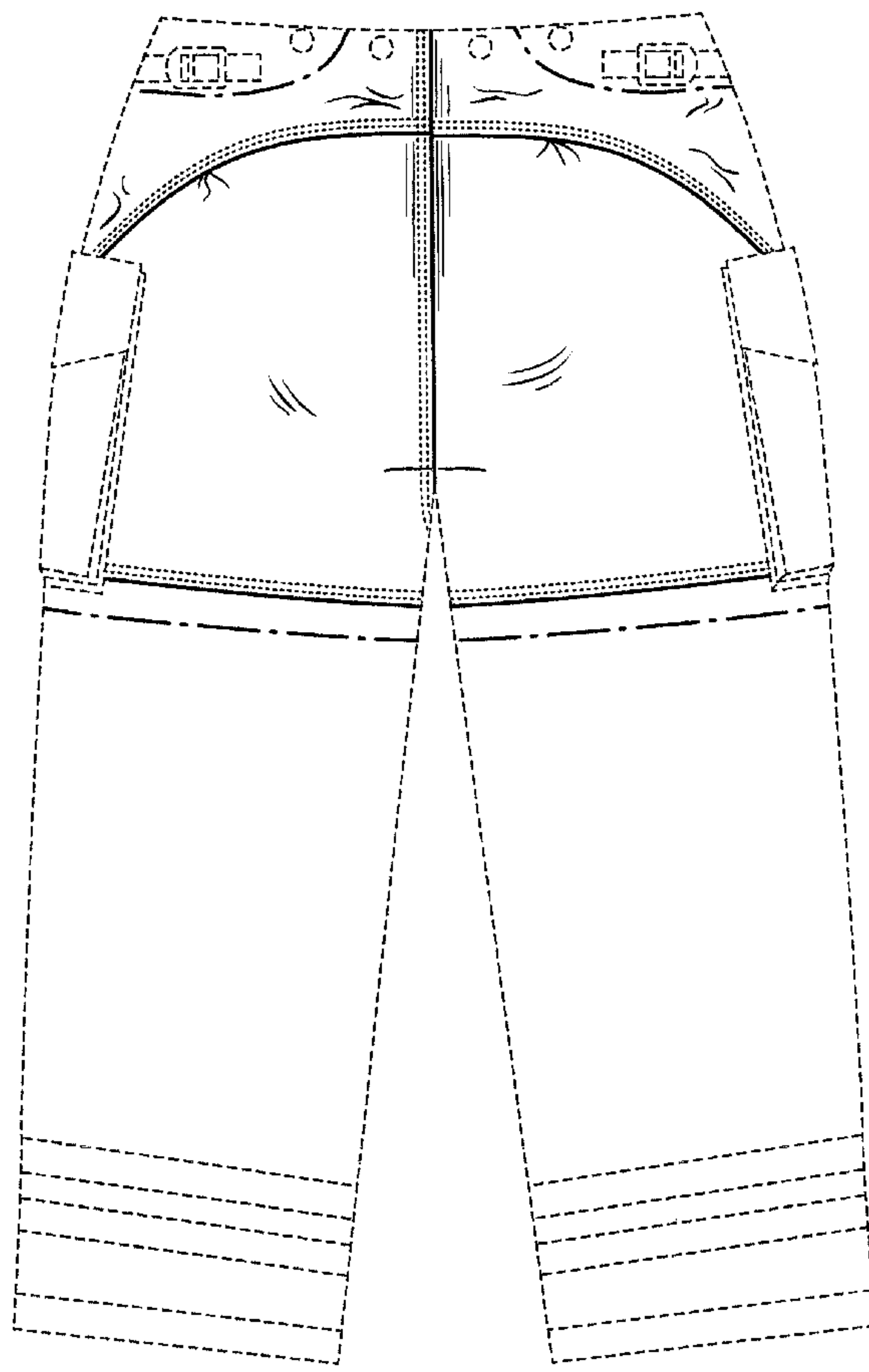
FIG. 1 is a right side elevation view of a buttock region of a  
pair of firefighter pants showing my new design;

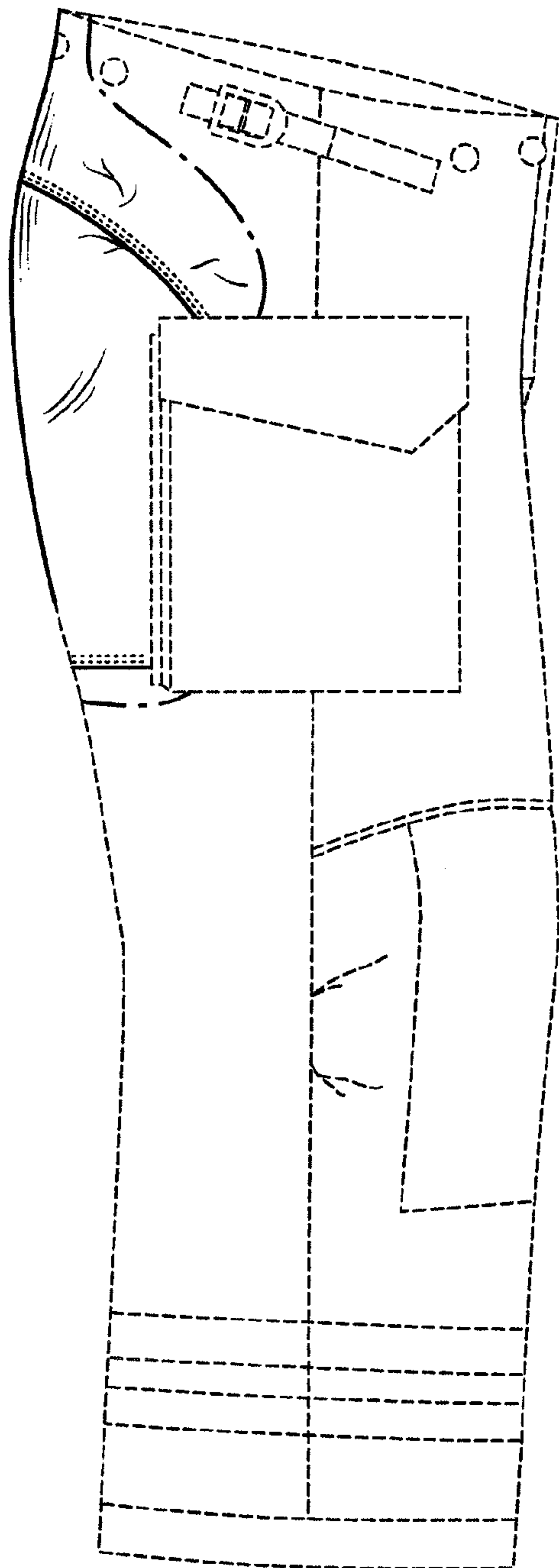
FIG. 2 is a left side elevation view thereof; and,

FIG. 3 is a rear elevation view thereof.

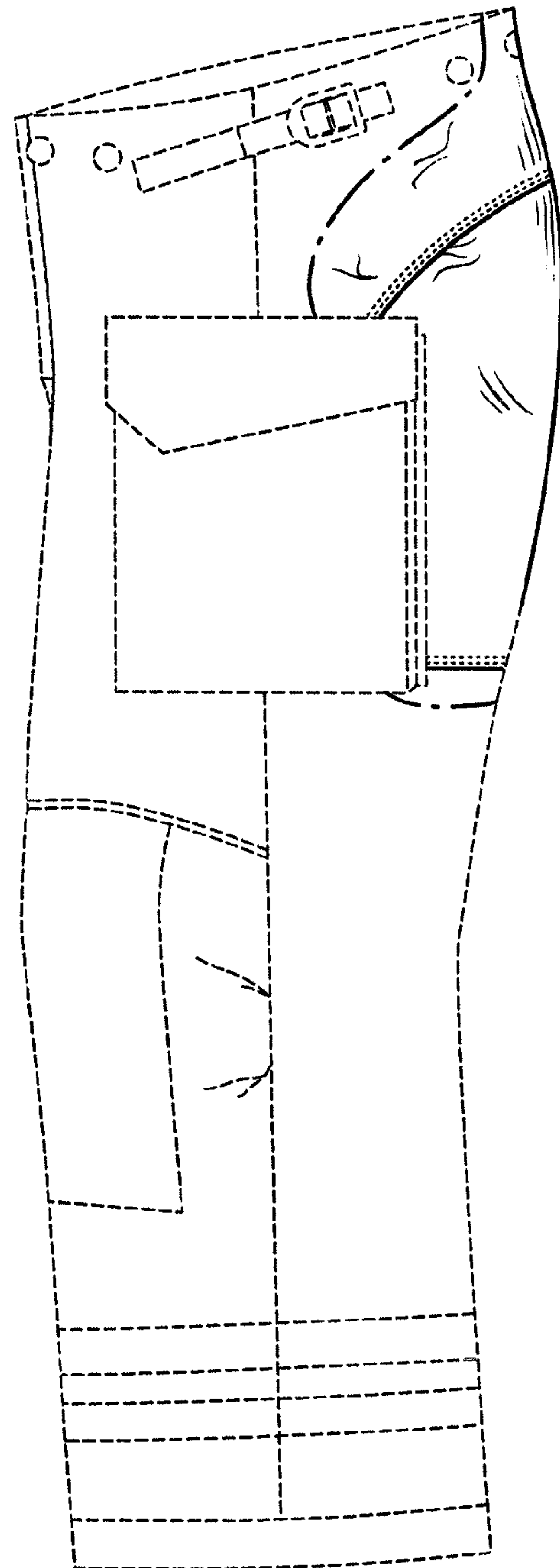
The dashed line showing of the portions of the pants are for  
illustrating environment. The dash-dot-dash lines represent  
the boundary of the claimed design. None of the broken lines  
form any part of the claimed design.

**1 Claim, 2 Drawing Sheets**





**FIG. 1**



**FIG. 2**

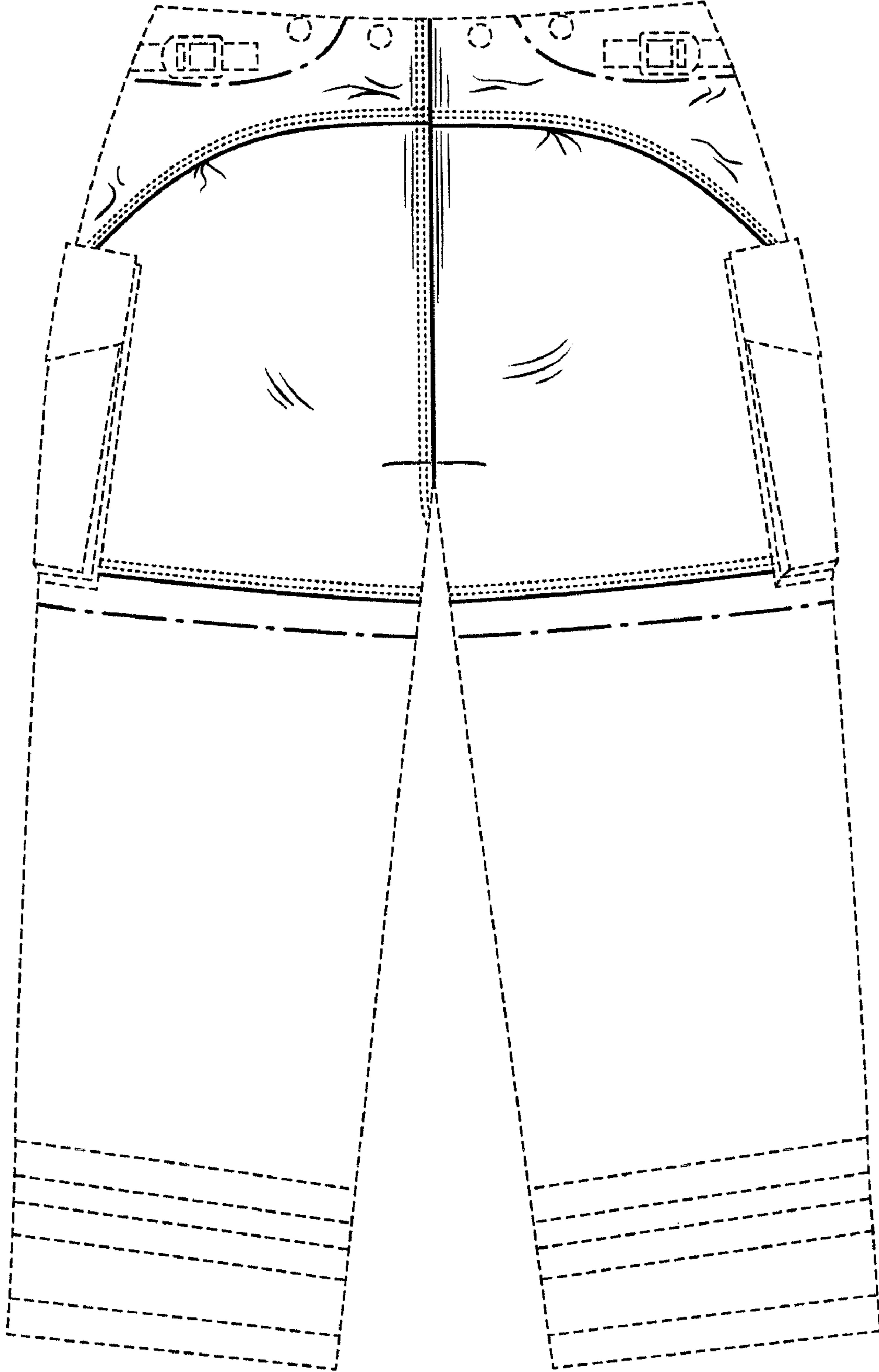


FIG. 3