



US00D581123S

(12) **United States Design Patent**
Henderson

(10) **Patent No.:** **US D581,123 S**
(45) **Date of Patent:** **** Nov. 18, 2008**

(54) **HAND CART FOR SPOOLS OF CABLE AND WIRE**

(76) Inventor: **Randolph N Henderson**, 801 Basalt Dr.,
Vallejo, CA (US) 94589

(**) Term: **14 Years**

(21) Appl. No.: **29/297,518**

(22) Filed: **Nov. 13, 2007**

(51) **LOC (8) Cl.** **12-02**

(52) **U.S. Cl.** **D34/12**

(58) **Field of Classification Search** D34/12-27;
280/5.22, 47.28, 47.27, 47.19, 654, 47, 19,
280/79.11, 79.2, 79.3; 180/9.22; 242/594.6;
211/85.5

See application file for complete search history.

(56) **References Cited**

U.S. PATENT DOCUMENTS

D128,819	S	*	8/1941	Gamb	D34/26
2,533,352	A	*	12/1950	Chapman et al.	414/445
D249,032	S	*	8/1978	Tarran	D34/14
5,123,666	A	*	6/1992	Moore	280/47.28
D327,761	S	*	7/1992	Stanfield	D34/26
5,285,981	A		2/1994	Pavelka		
D356,197	S	*	3/1995	Loughlin	D34/12

D373,669	S	*	9/1996	Perkins, Sr.	D34/24
5,577,745	A		11/1996	Birk		
6,135,466	A	*	10/2000	Irwin	280/47.28
6,422,504	B1	*	7/2002	Elder	242/594.6
6,685,132	B1		2/2004	Allen		
6,752,404	B1	*	6/2004	Blake	280/47.27
2006/0061053	A1	*	3/2006	Cortese	280/47.27

* cited by examiner

Primary Examiner—Cynthia E Ramirez

(57) **CLAIM**

The ornamental design for a hand cart for spools of cable and wire, as shown and described.

DESCRIPTION

FIG. 1 is a front elevation view of a hand cart for spools of cable and wire showing my new design;

FIG. 2 is a rear elevation view thereof;

FIG. 3 is a right elevation view thereof;

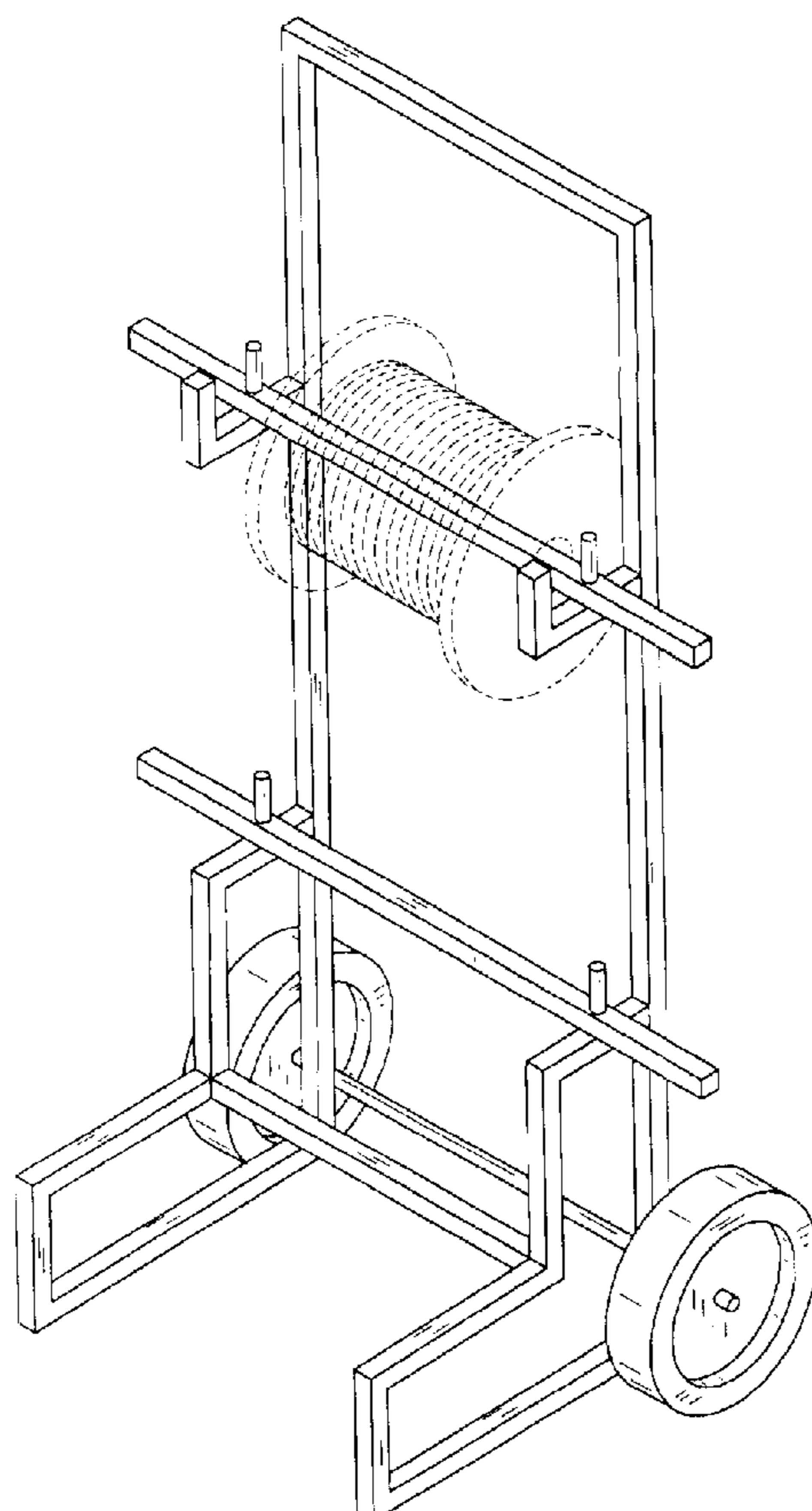
FIG. 4 is a top plan view thereof;

FIG. 5 is a bottom plan view thereof; and,

FIG. 6 is an isometric view thereof.

The broken lines shown in FIG. 6 are for illustrative purposes only and form no part of the claimed design.

1 Claim, 3 Drawing Sheets



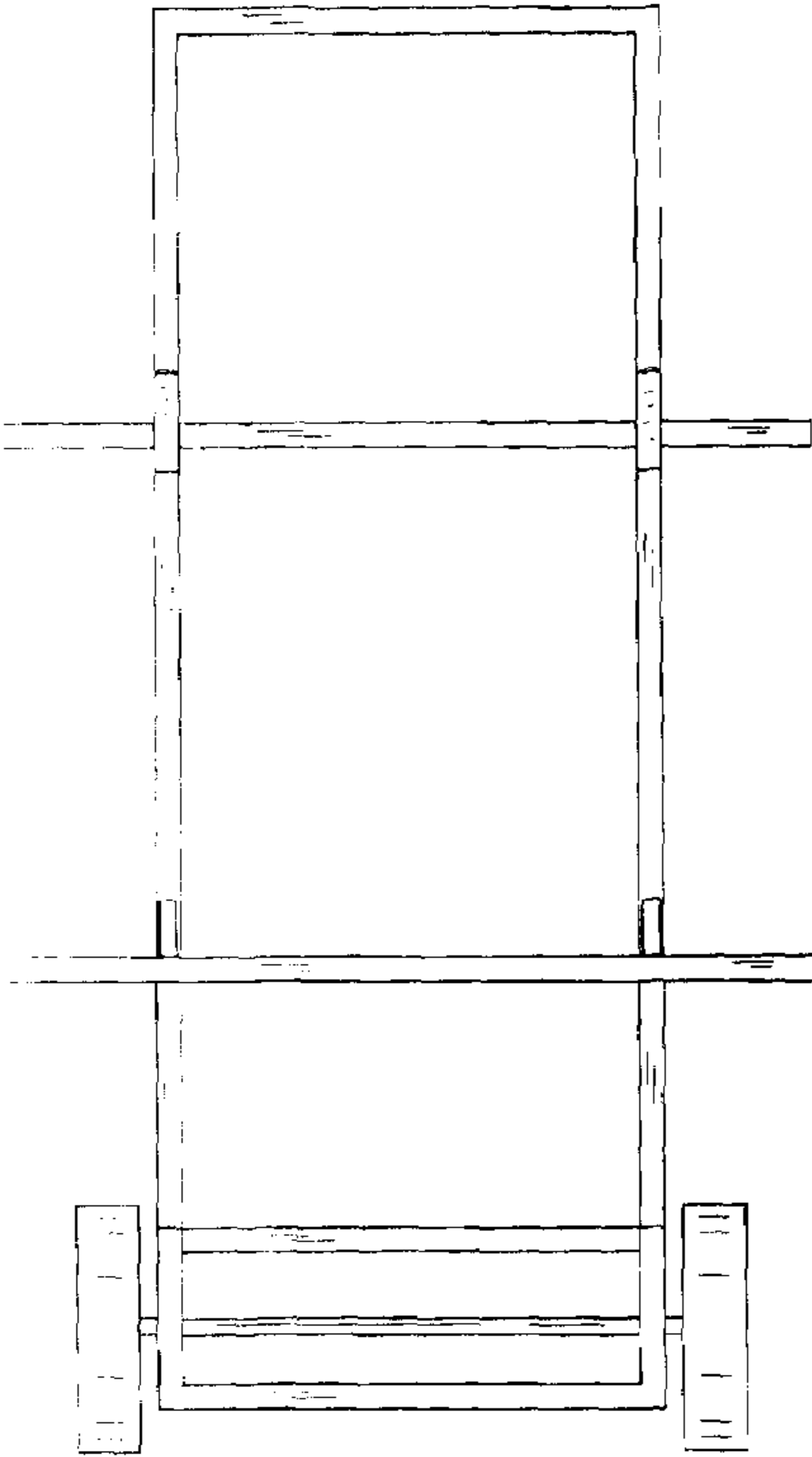


FIG. 1

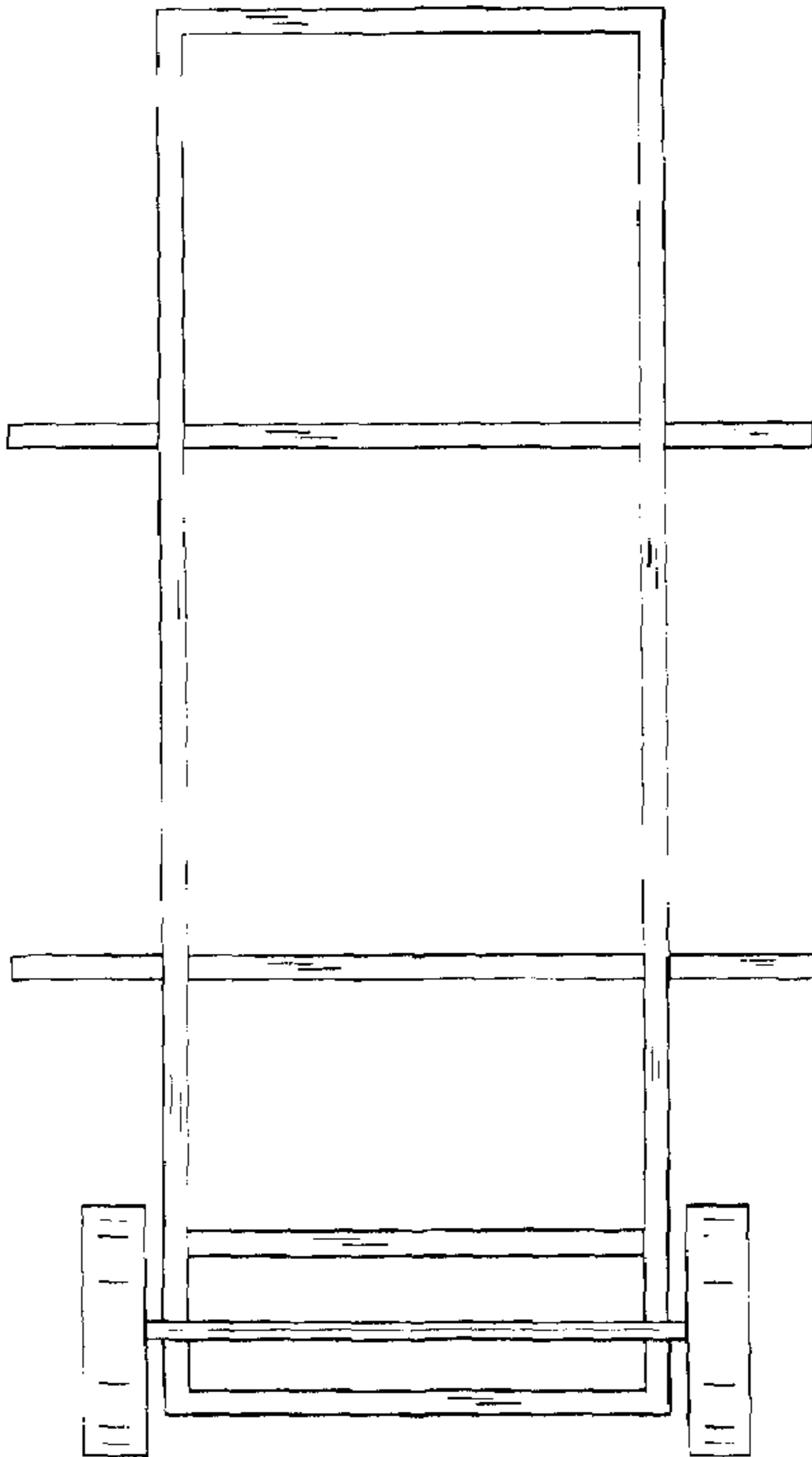


FIG. 2

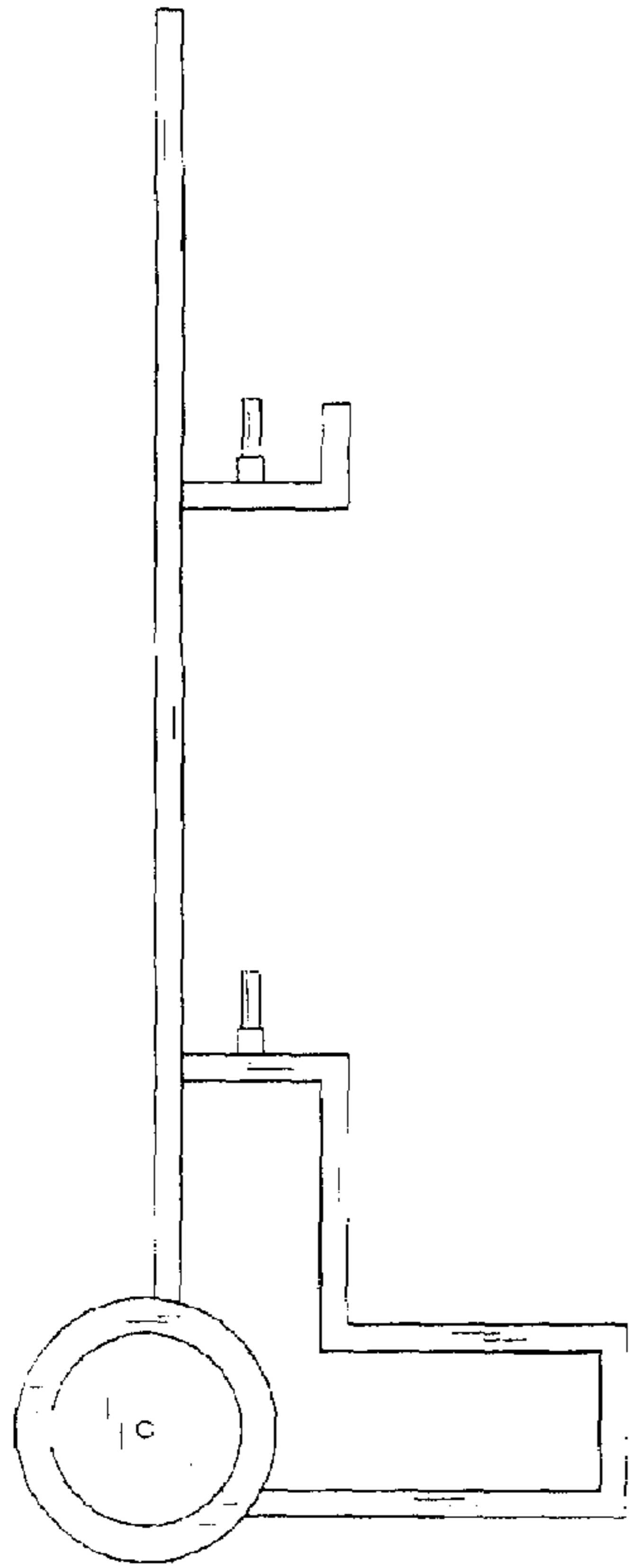


FIG. 3

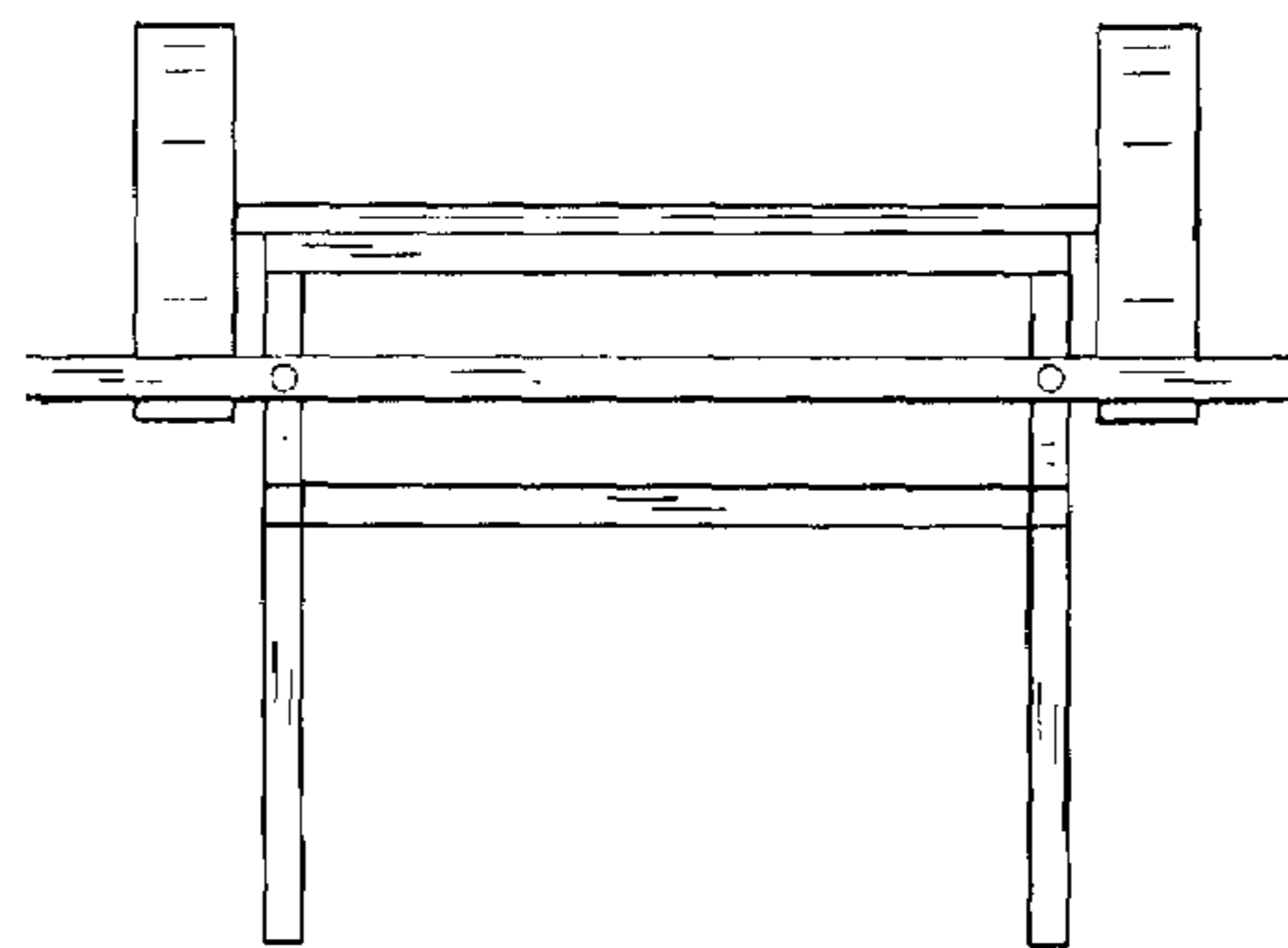


FIG. 4

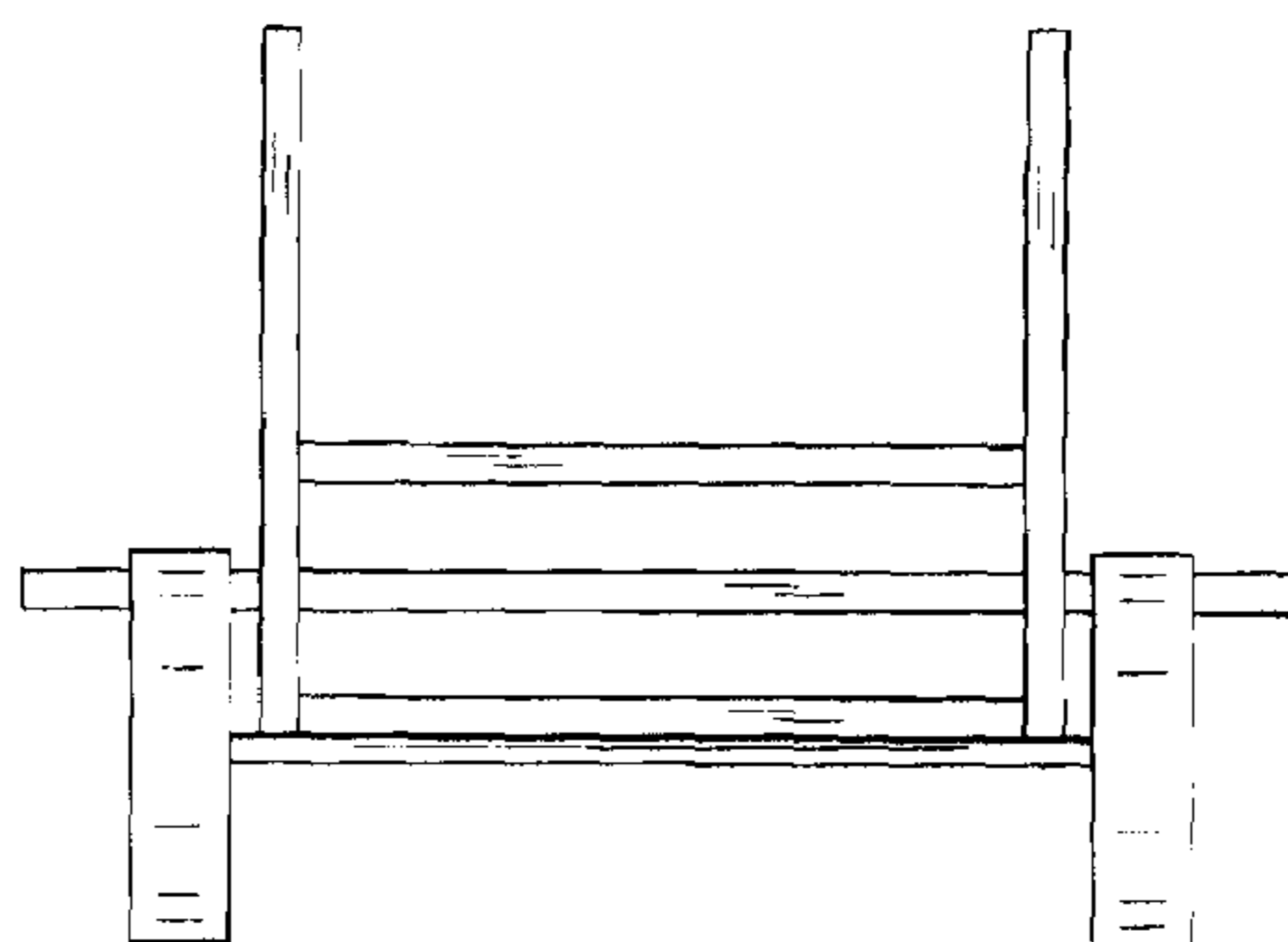


FIG. 5

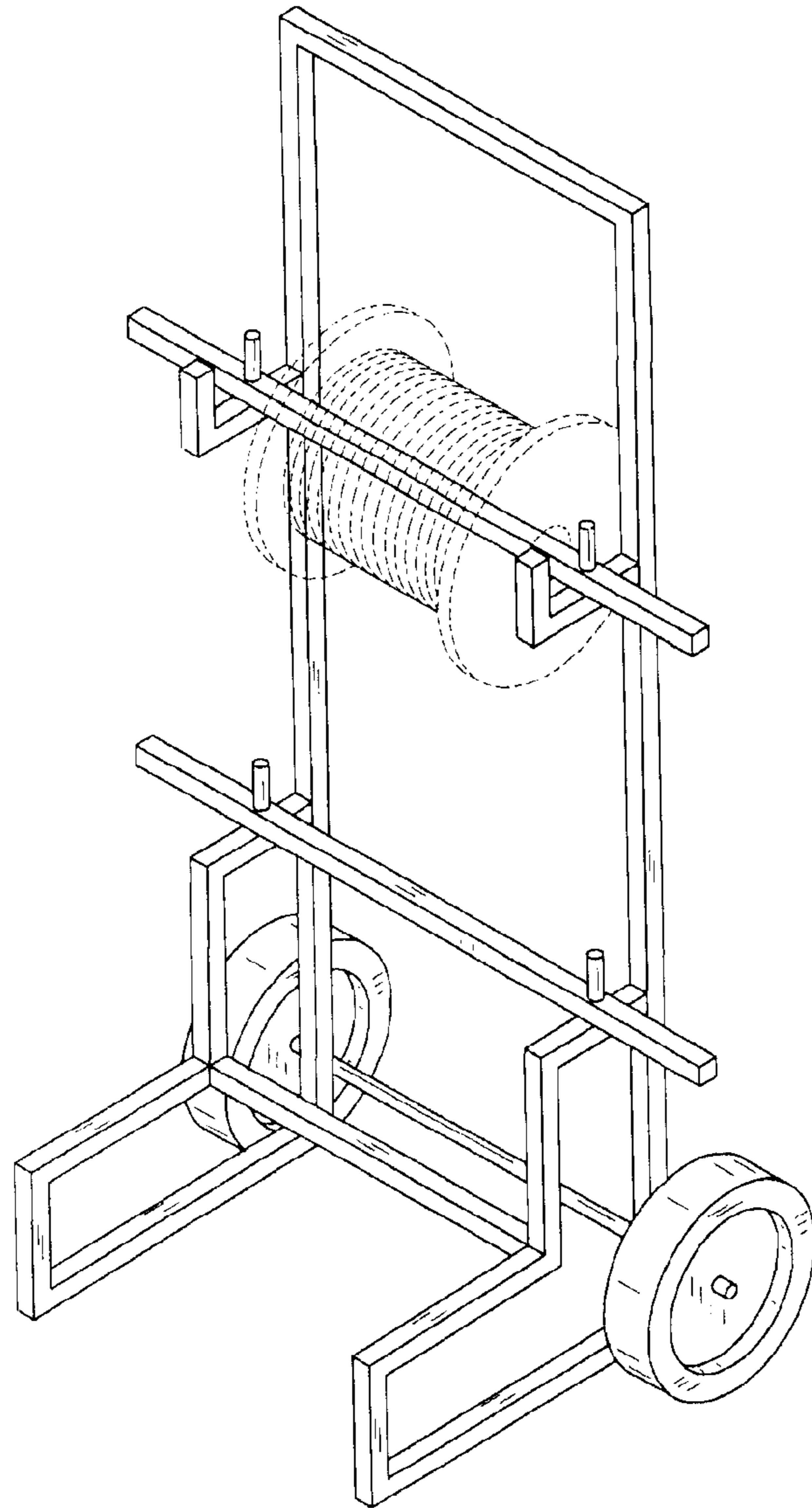


FIG. 6