



US00D581122S

(12) **United States Design Patent**  
**Dukes**

(10) **Patent No.:** **US D581,122 S**  
(45) **Date of Patent:** **\*\* Nov. 18, 2008**

(54) **BAG HOLDER**

(75) Inventor: **Stephen A. Dukes**, North Baltimore, OH  
(US)

(73) Assignee: **Impact Products, LLC**, Toledo, OH  
(US)

(\*\*) Term: **14 Years**

(21) Appl. No.: **29/304,756**

(22) Filed: **Mar. 7, 2008**

**Related U.S. Application Data**

(63) Continuation-in-part of application No. 29/276,961,  
filed on Feb. 9, 2007, now Pat. No. Des. 569,569.

(51) **LOC (8) Cl.** ..... **09-09**

(52) **U.S. Cl.** ..... **D34/10**

(58) **Field of Classification Search** ..... D34/1,  
D34/10, 11; D8/354; D6/512; 220/495.01,  
220/495.06, 309.1; 248/95, 97, 98, 100;  
383/42

See application file for complete search history.

(56) **References Cited**

**U.S. PATENT DOCUMENTS**

2,457,274 A	12/1948	Rifken
4,027,774 A	6/1977	Cote
4,138,055 A	2/1979	Harrison
4,923,087 A	5/1990	Burrows
5,100,087 A	3/1992	Ashby
5,271,589 A	12/1993	Belous

D343,752 S	2/1994	Corbin
D358,692 S	5/1995	Kasbohm
5,419,452 A	5/1995	Mueller et al.
5,695,088 A	12/1997	Kasbohm
5,911,335 A	6/1999	Baumann
5,987,708 A	11/1999	Newton
D487,390 S	3/2004	Tanaka et al.
6,918,505 B2	7/2005	Gifford, Sr.
D542,002 S	5/2007	Yang et al.

*Primary Examiner*—Cynthia E Ramirez  
(74) *Attorney, Agent, or Firm*—Fraser Clemens Martin &  
Miller LLC; Donald R. Fraser

(57) **CLAIM**

The ornamental design for a bag holder, as shown and  
described.

**DESCRIPTION**

FIG. 1 is a perspective view of a bag holder showing my new  
design;

FIG. 2 is a top view of the bag holder of FIG. 1;

FIG. 3 is a bottom view thereof;

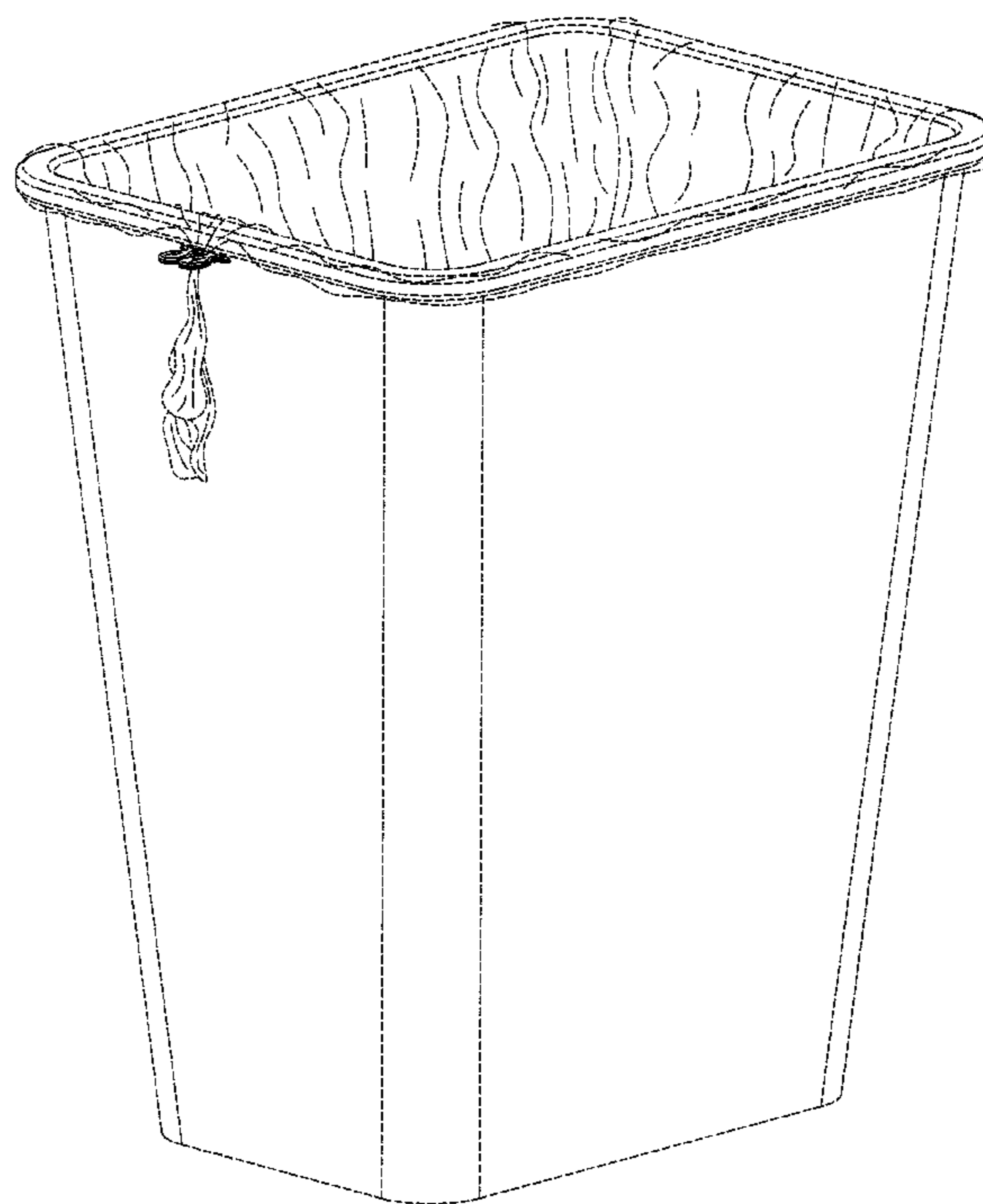
FIG. 4 is a front elevational view thereof;

FIG. 5 is a left side elevational view thereof; and,

FIG. 6 is a right side elevational view thereof.

The ornamental design which is claimed is shown in solid  
lines in the drawings. Any broken lines in the drawings are for  
illustrative purposes only and form no part of the claimed  
design.

**1 Claim, 2 Drawing Sheets**



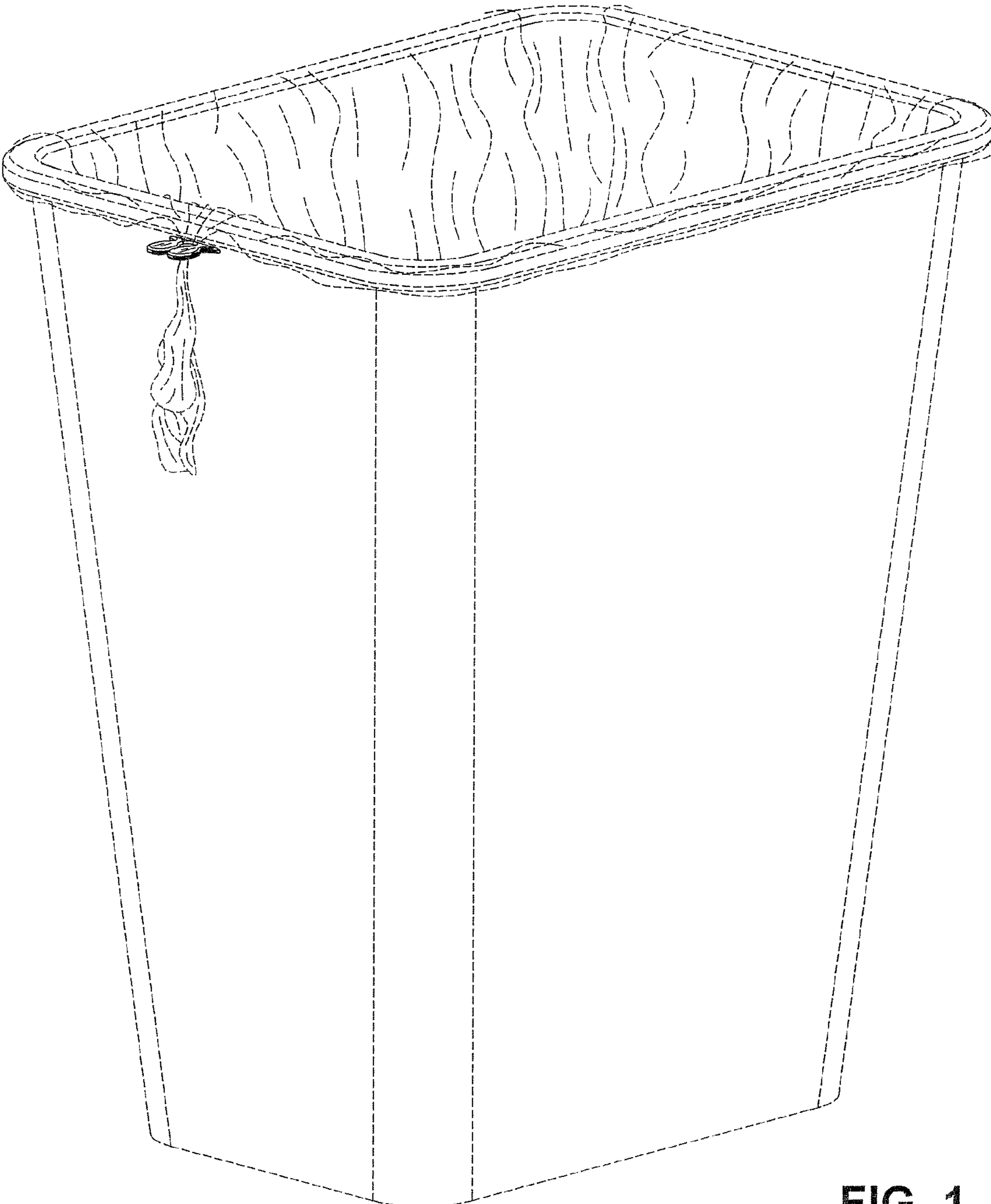


FIG. 1

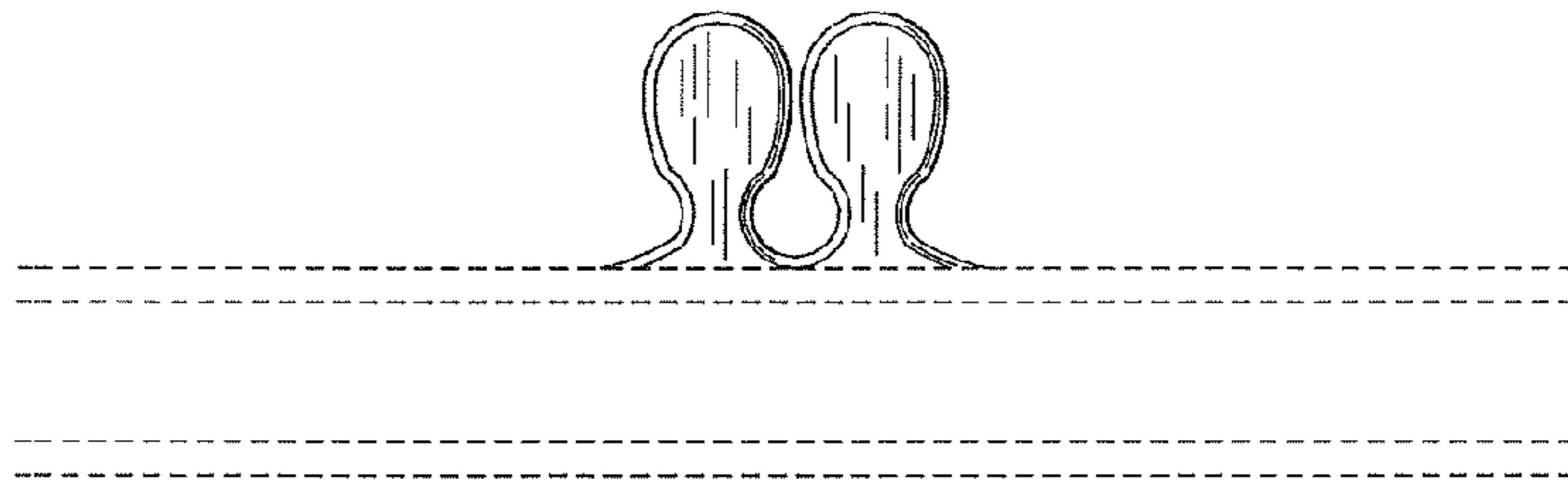


FIG. 2

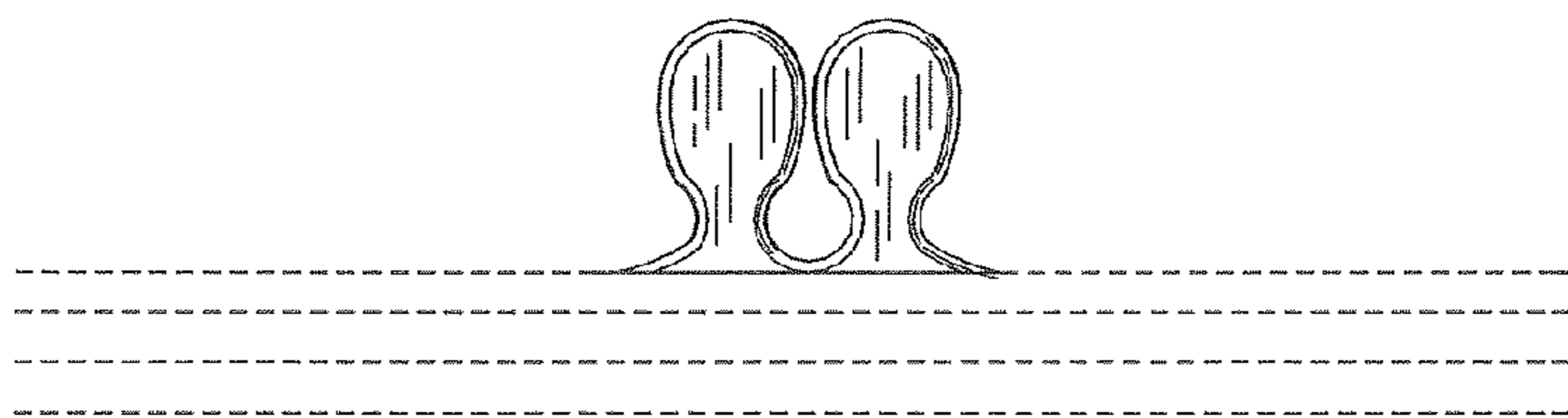


FIG. 3

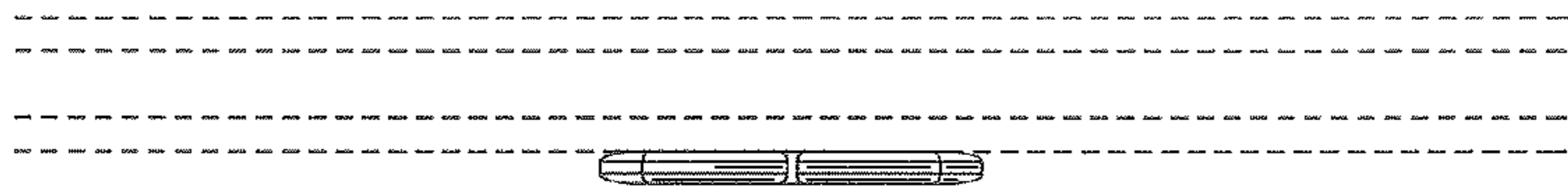


FIG. 4

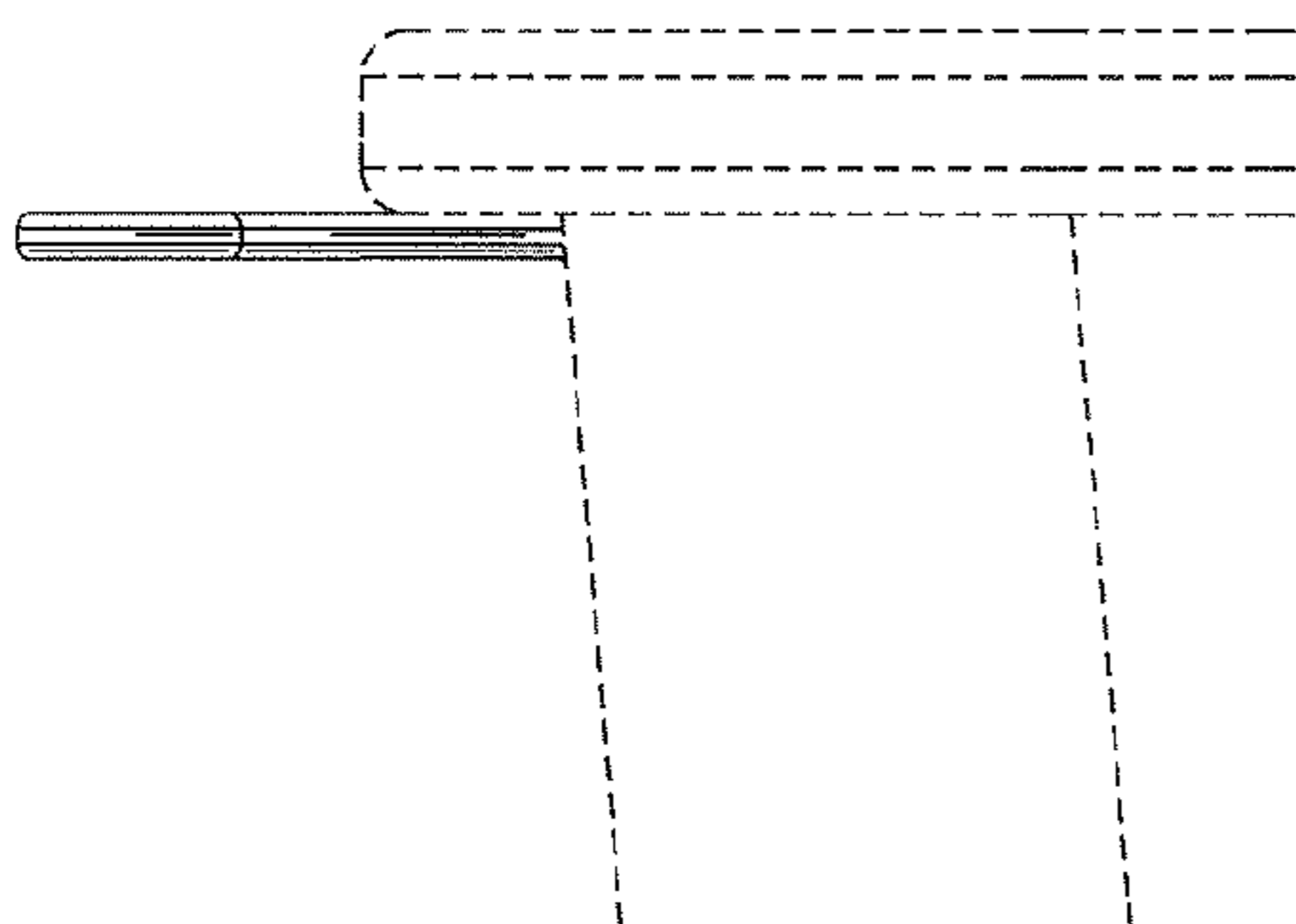


FIG. 5

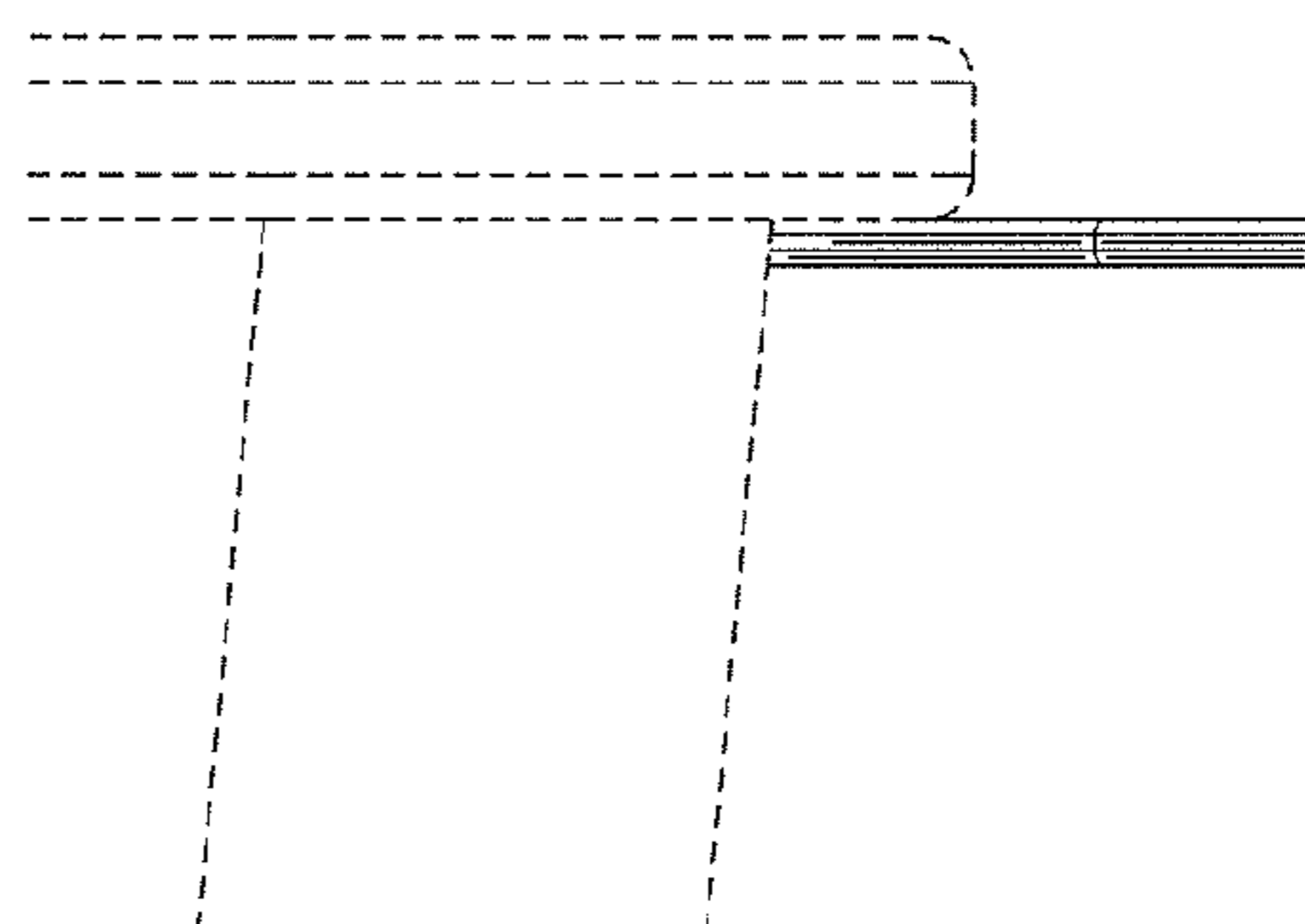


FIG. 6