



US00D581119S

(12) **United States Design Patent**  
**Bergman**

(10) **Patent No.:** **US D581,119 S**

(45) **Date of Patent:** **\*\* Nov. 18, 2008**

(54) **PAINT CONTAINER**

3,707,242 A 12/1972 Golden et al. .... 220/1 R  
3,729,158 A 4/1973 Nagy

(75) Inventor: **Mark W. Bergman**, Minnetonka, MN  
(US)

(Continued)

(73) Assignee: **Bercom International, LLC**,  
Chanhausen, MN (US)

FOREIGN PATENT DOCUMENTS

(\*\*) Term: **14 Years**

GB 195523 4/1923

(21) Appl. No.: **29/269,450**

(Continued)

(22) Filed: **Nov. 30, 2006**

OTHER PUBLICATIONS

(51) **LOC (8) Cl.** ..... **07-07**

(52) **U.S. Cl.** ..... **D32/53.1**

(58) **Field of Classification Search** ..... D32/53,  
D32/53.1, 54; 220/495.02, 570, 697; 15/257.06  
See application file for complete search history.

Illustration (from SPORTY's website showing a "Painter's Helper"  
ID#: 1610T) of the paint container manufactured by Aqua-Tainer  
Co., of Shorewood Illinois, (Published prior to Apr. 29, 2005).

(Continued)

(56) **References Cited**

U.S. PATENT DOCUMENTS

- 1,304,415 A 5/1919 Tucker
- 1,590,572 A 6/1926 Fredette
- 1,734,976 A 11/1929 McClellan
- 1,950,505 A 3/1934 Matters
- 2,228,536 A 1/1941 Scalph
- 2,626,737 A 1/1953 Pitz
- 2,709,540 A 5/1955 Kenney
- 2,765,969 A 10/1956 Bennington
- 3,014,621 A 12/1961 Povitz ..... 222/183
- 3,138,280 A 6/1964 Shafer
- 3,139,646 A 7/1964 Vernon
- D202,134 S 8/1965 Bryan ..... D32/53.1
- 3,219,233 A 11/1965 Whiteford
- 3,229,820 A 1/1966 Hentzi et al.
- 3,292,815 A 12/1966 Smith et al. .... 220/94
- D212,831 S 11/1968 Koch ..... D32/53
- 3,425,012 A 1/1969 Gottinger
- D216,277 S 12/1969 James ..... D32/53
- 3,536,285 A 10/1970 Vaughn
- 3,590,416 A 7/1971 Henningsen
- 3,595,431 A 7/1971 Bird
- 3,602,939 A 9/1971 Schoenholz
- 3,682,352 A 8/1972 Douchette

*Primary Examiner*—Freda S. Nunn

*Assistant Examiner*—Kevin K Rudzinski

(74) *Attorney, Agent, or Firm*—Westman, Champlin & Kelly,  
P.A.

(57) **CLAIM**

The ornamental design for a paint container, as shown and  
described.

**DESCRIPTION**

FIG. 1 is a perspective view of a paint container;

FIG. 2 is a right side view thereof;

FIG. 3 is a left side view thereof;

FIG. 4 is a front view thereof;

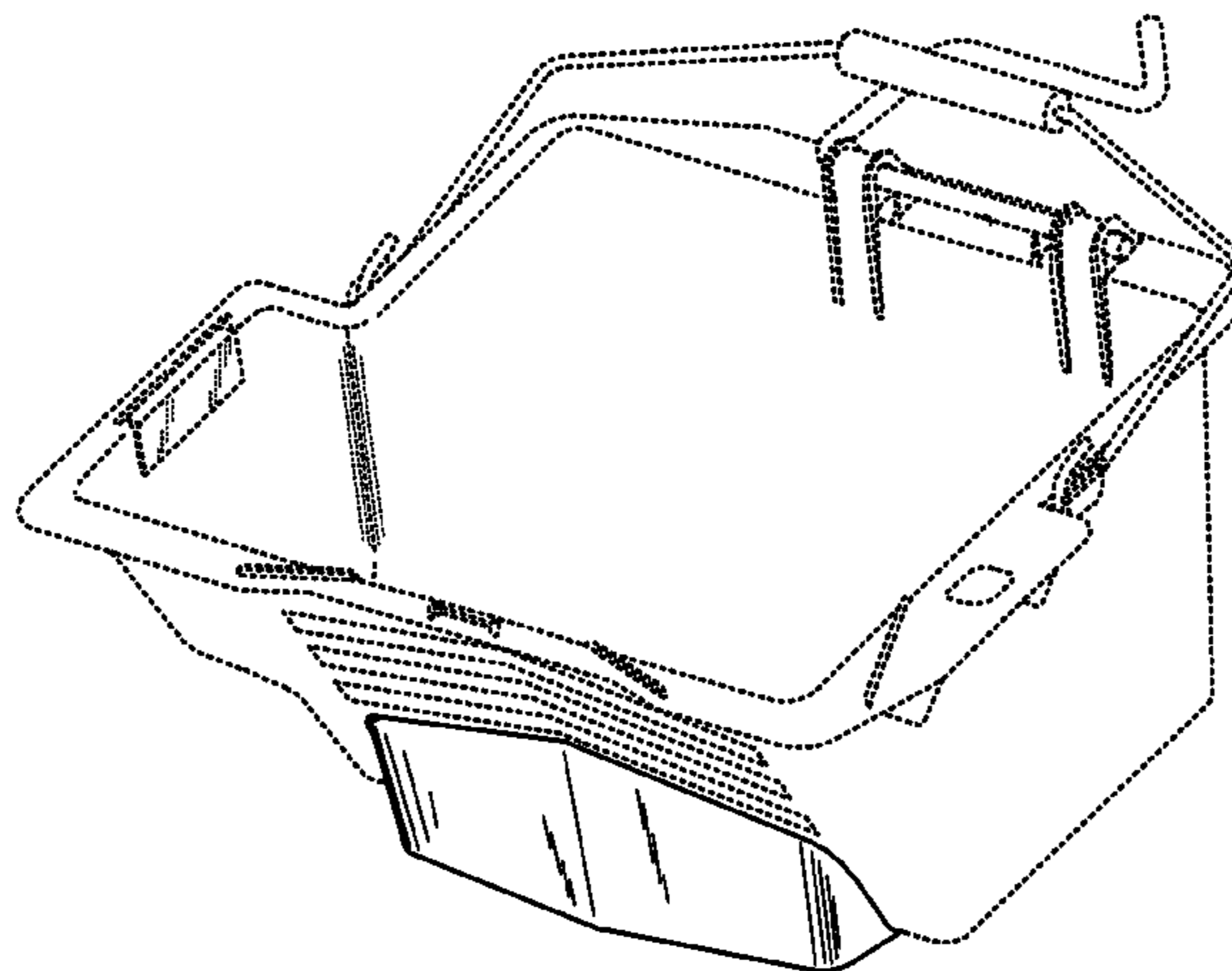
FIG. 5 is a rear view thereof;

FIG. 6 is a top view thereof; and,

FIG. 7 is a bottom view thereof.

The broken lines in the Figures are for illustrative purposes  
only and form no part of the claimed design.

**1 Claim, 7 Drawing Sheets**



# US D581,119 S

Page 2

## U.S. PATENT DOCUMENTS

3,828,389	A	8/1974	Heisler	
3,837,034	A	9/1974	Leffert et al.	15/257.06
3,940,824	A	3/1976	Gioia et al.	
4,061,242	A	12/1977	Donlon	
D248,335	S *	6/1978	Cooke et al.	D32/53.1
4,101,046	A	7/1978	Puntillo	
4,164,299	A	8/1979	Fuhr	
D270,961	S	10/1983	Hawkins et al.	D32/53
4,519,565	A	5/1985	Whitmore	
4,627,546	A	12/1986	Carranza	215/100 A
4,860,891	A	8/1989	Biggio	
4,895,269	A	1/1990	Cade	
4,927,046	A	5/1990	Armstrong	
4,928,873	A	5/1990	Johnson	
4,966,300	A	10/1990	Coonradt	220/707
5,011,536	A	4/1991	Boom	
5,033,704	A	7/1991	Kerr	
D320,295	S *	9/1991	Delmerico	D32/53
5,083,733	A	1/1992	Marino et al.	
5,092,481	A	3/1992	Skelton	
D327,555	S *	6/1992	Juergens	D34/1
5,147,067	A	9/1992	Effertz	
5,169,025	A	12/1992	Guo	
5,222,656	A	6/1993	Carlson	
D345,832	S *	4/1994	Fraze et al.	D32/53.1
5,308,181	A	5/1994	Hull et al.	401/206
5,320,249	A	6/1994	Strech	
5,322,183	A	6/1994	Strachan	220/697
5,333,353	A *	8/1994	Taylor	15/264
D353,241	S	12/1994	Breen	D32/53
5,400,916	A	3/1995	Weber	
5,429,262	A	7/1995	Sharkey	
5,493,751	A	2/1996	Misiukowicz et al.	15/257.06
5,511,279	A	4/1996	Ippolito	
5,548,865	A	8/1996	Pagani	15/262
5,549,216	A	8/1996	Scholl	
D374,321	S *	10/1996	Mandell et al.	D32/53
5,570,807	A	11/1996	Busch	
5,624,093	A	4/1997	Gemmell	
5,641,087	A	6/1997	Moffitt	
D389,626	S	1/1998	Lundy	D32/53
5,746,346	A	5/1998	Crilly	
D395,531	S	6/1998	Mandell et al.	D32/53
D396,914	S	8/1998	Pepper et al.	D32/53

5,810,196	A	9/1998	Lundy	
RE35,933	E	10/1998	Scholl	
D401,116	S	11/1998	Demore	
5,836,469	A	11/1998	Zebrowski	
5,971,201	A	10/1999	Daw	
D417,051	S	11/1999	Dickinson et al.	D32/53
6,062,389	A	5/2000	Kent	206/518
6,065,633	A	5/2000	Abbey	
D426,361	S *	6/2000	Young	D32/53
D429,862	S *	8/2000	Houry et al.	D32/53
6,105,816	A *	8/2000	Shea	220/697
6,119,303	A	9/2000	Passafiume	
6,138,963	A	10/2000	Malvasio	
D435,728	S	1/2001	Miles et al.	
D444,278	S *	6/2001	Myers, Jr.	D32/54
D444,929	S	7/2001	Cox	
6,260,730	B1	7/2001	Fellman	
6,382,354	B2	5/2002	Ahl et al.	182/129
D458,723	S	6/2002	Malvasio	D32/53.1
D460,845	S	7/2002	Bergman	
6,419,106	B1	7/2002	Bebak	
6,446,829	B1	9/2002	Malvasio et al.	
D466,407	S	12/2002	Nance	
D477,447	S	7/2003	Calaicone	D32/53
D477,702	S	7/2003	Kohn	D32/53
6,604,721	B2	8/2003	Ahl et al.	248/210
D482,830	S	11/2003	Kohn	D32/53.1
D483,917	S	12/2003	Frantz	D32/53.1
6,708,838	B2	3/2004	Bergman et al.	
D493,035	S	7/2004	Bergman	
6,991,829	B2	1/2006	Bergman	427/429
2002/0036206	A1	3/2002	Bergman et al.	
2002/0056714	A1	5/2002	Schinkel	
2004/0195248	A1	10/2004	Garcia	220/570
2004/0206761	A1	10/2004	Frantz	220/570
2004/0256335	A1	12/2004	Sholem	211/70.6

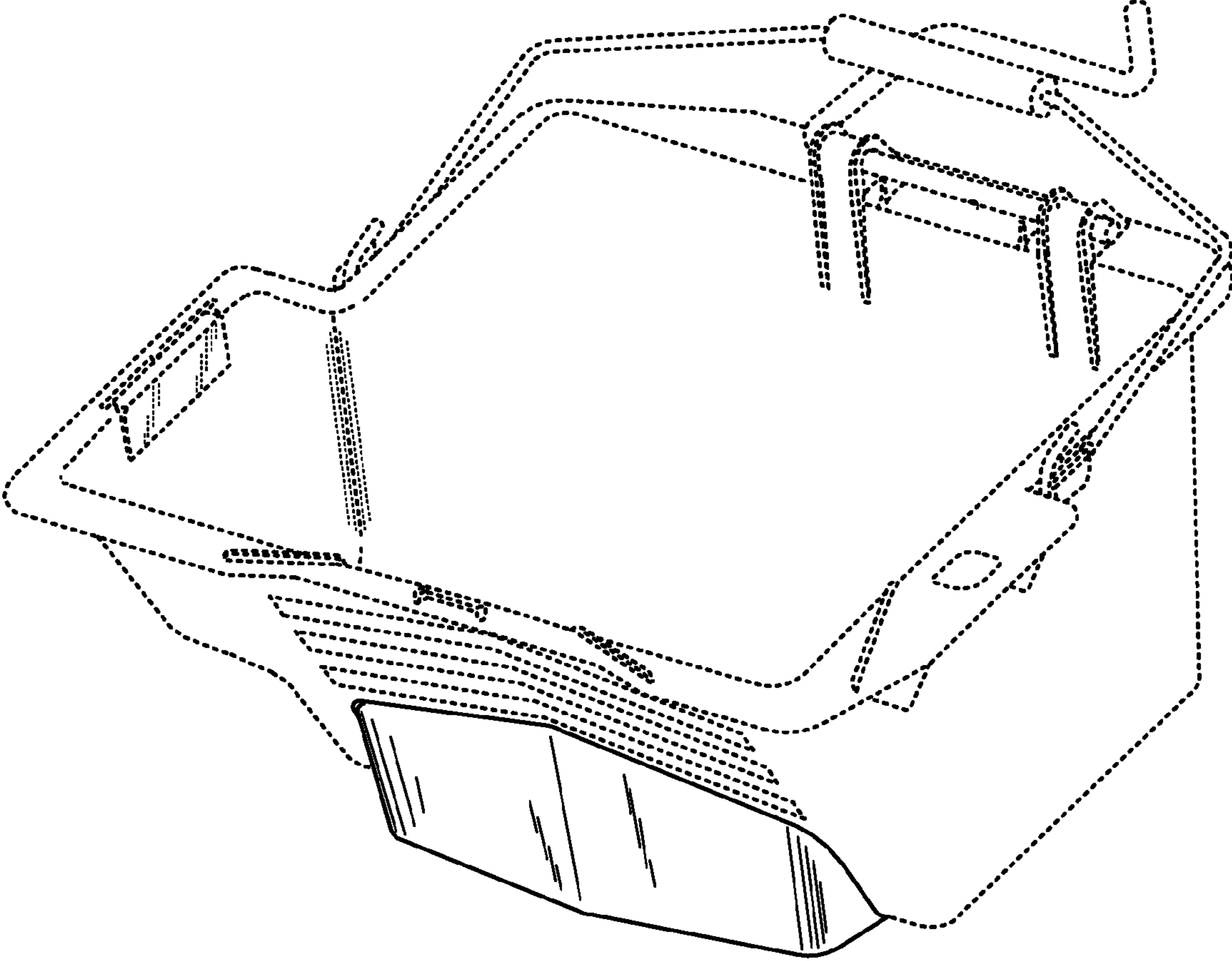
## FOREIGN PATENT DOCUMENTS

JP 10 287339 10/1998

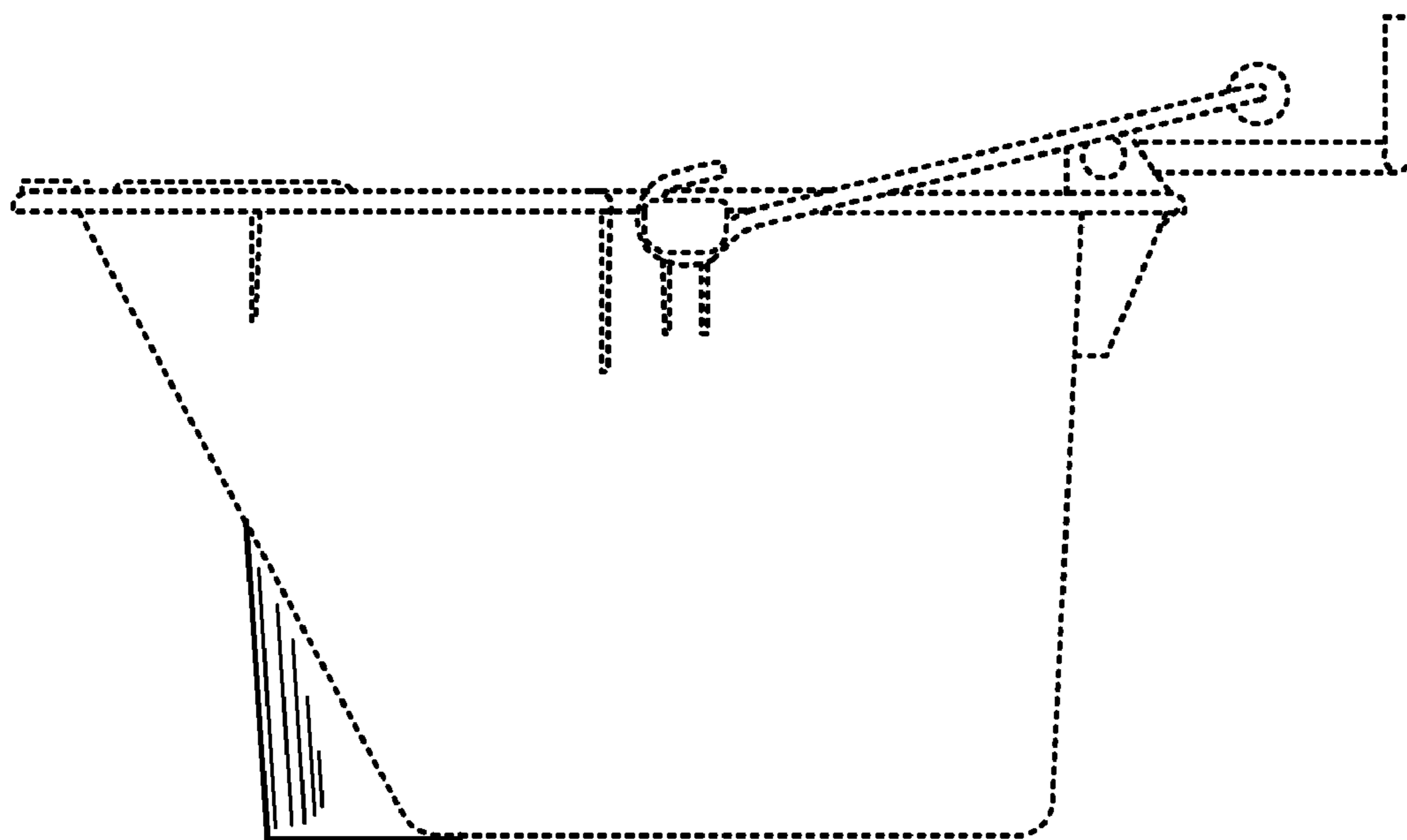
## OTHER PUBLICATIONS

Fourteen (14) photos of a pail known to the public prior to Apr. 29, 2004 (14 pages).

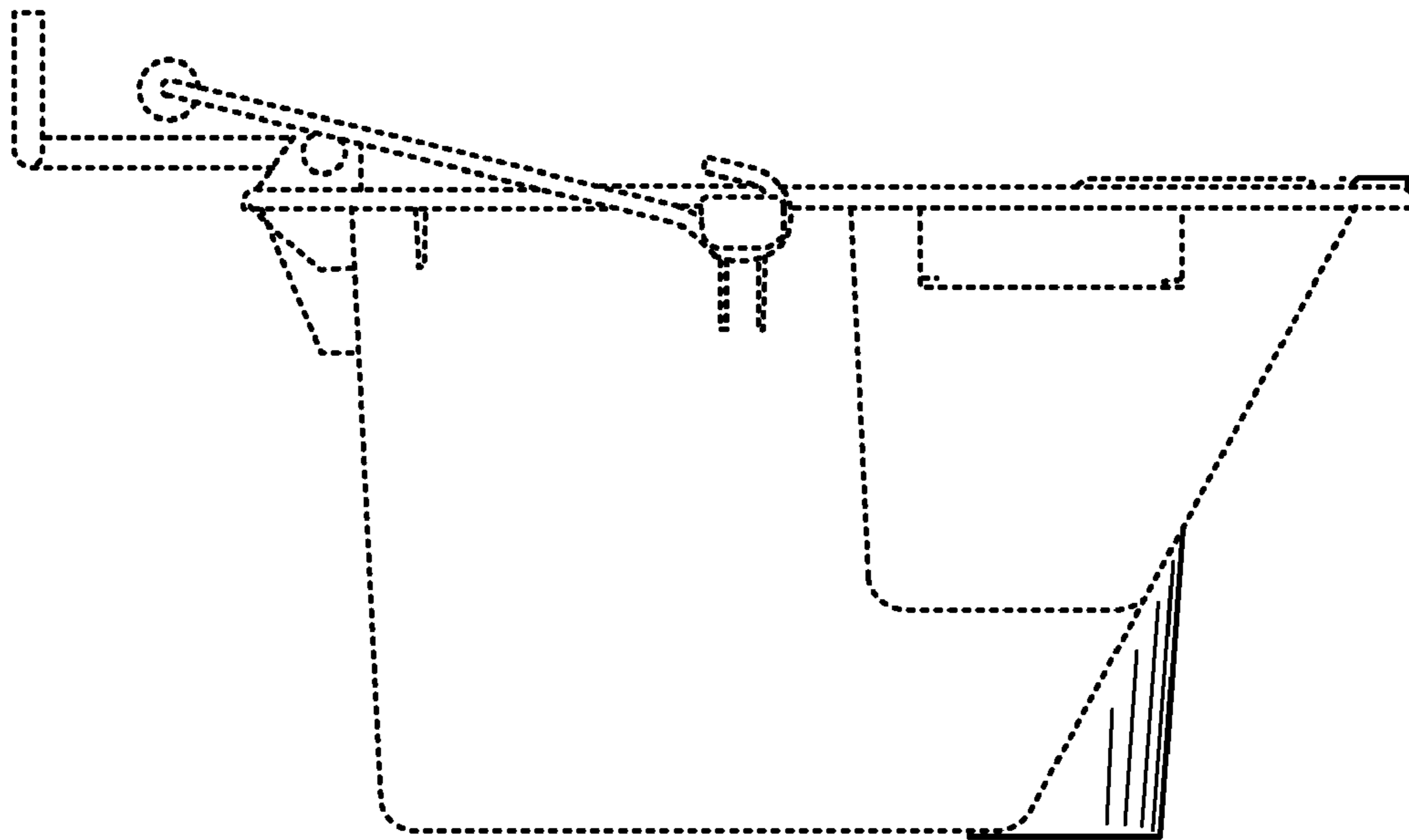
\* cited by examiner



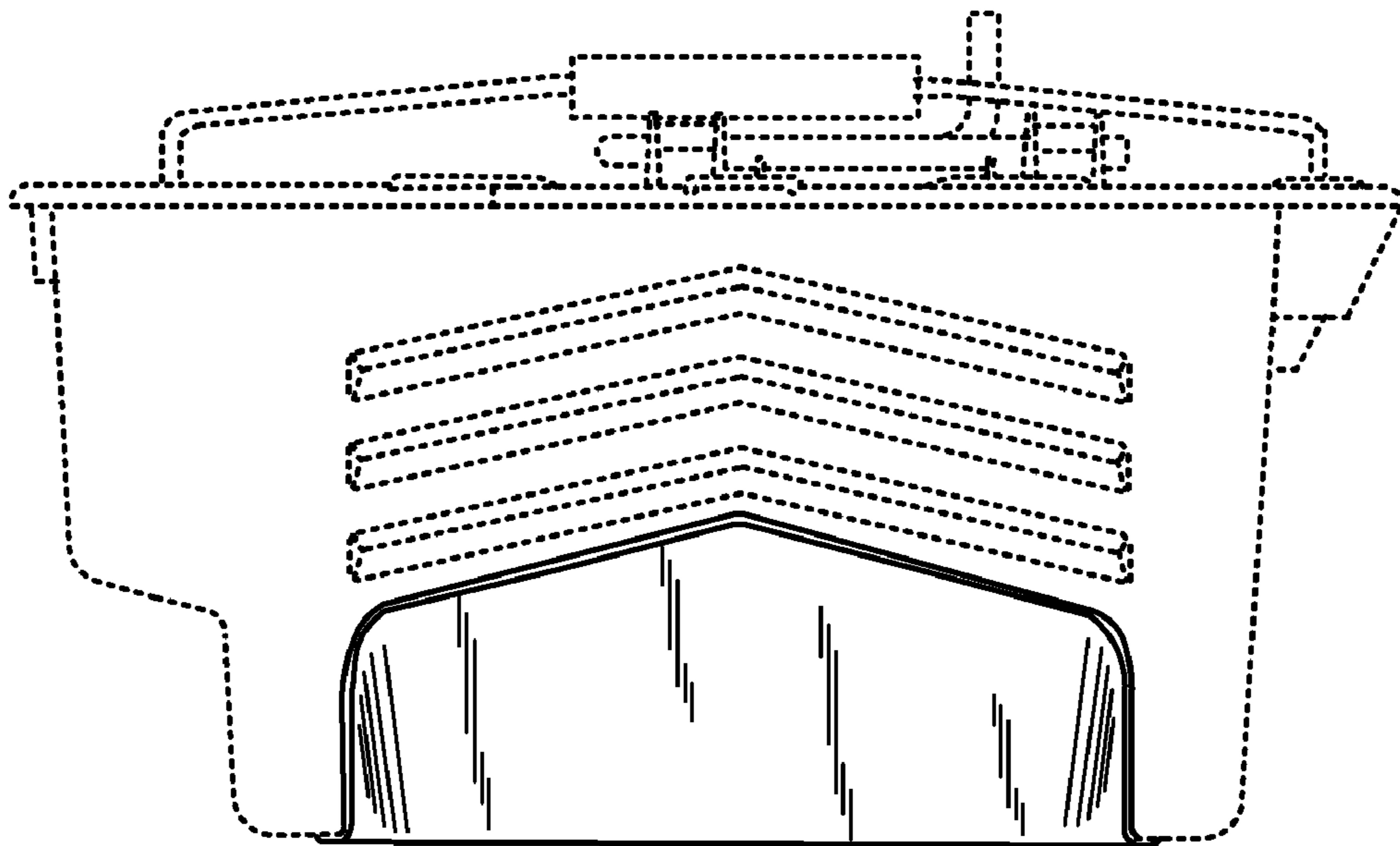
*Fig. 1*



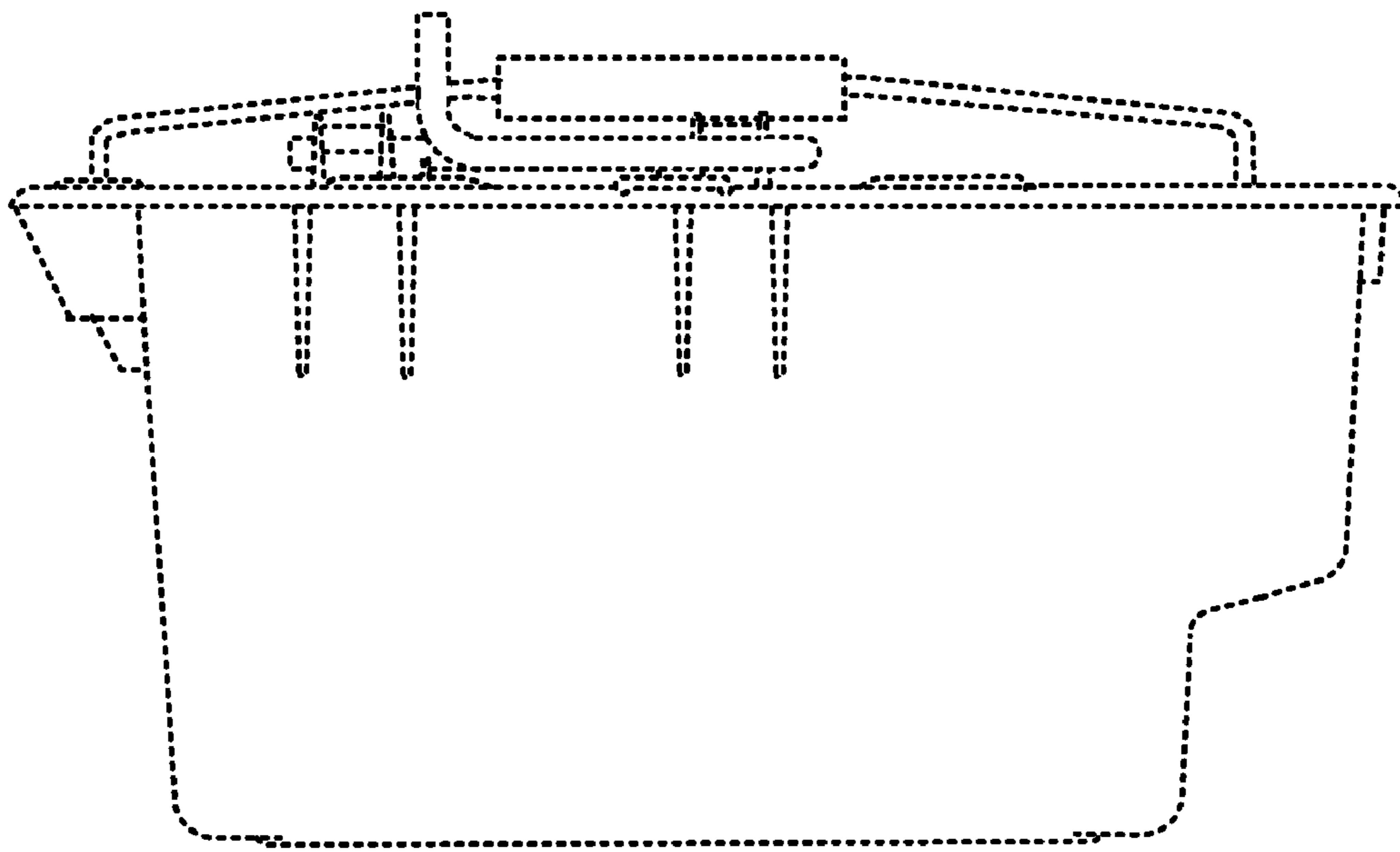
*Fig. 2*



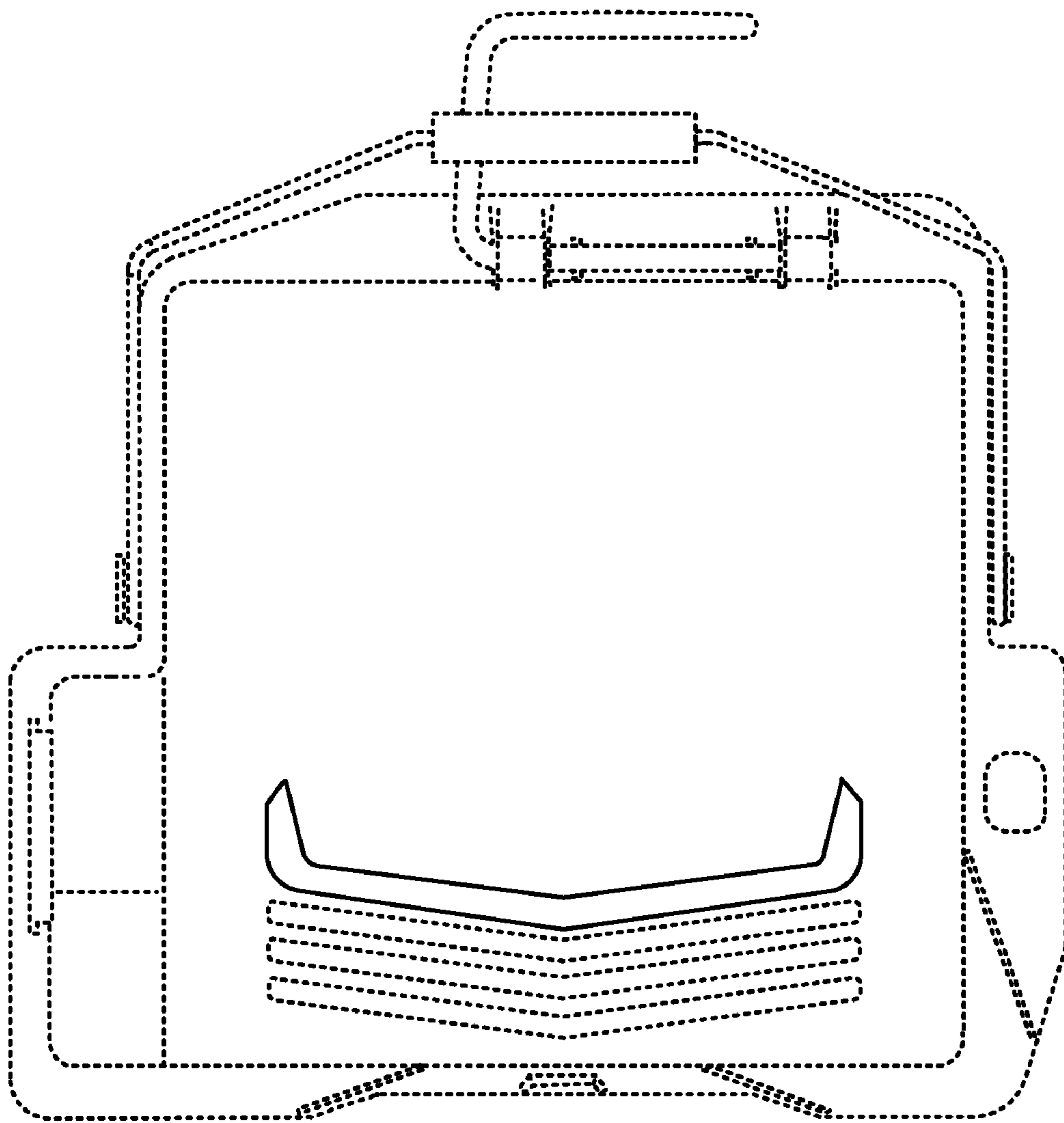
*Fig. 3*



*Fig. 4*

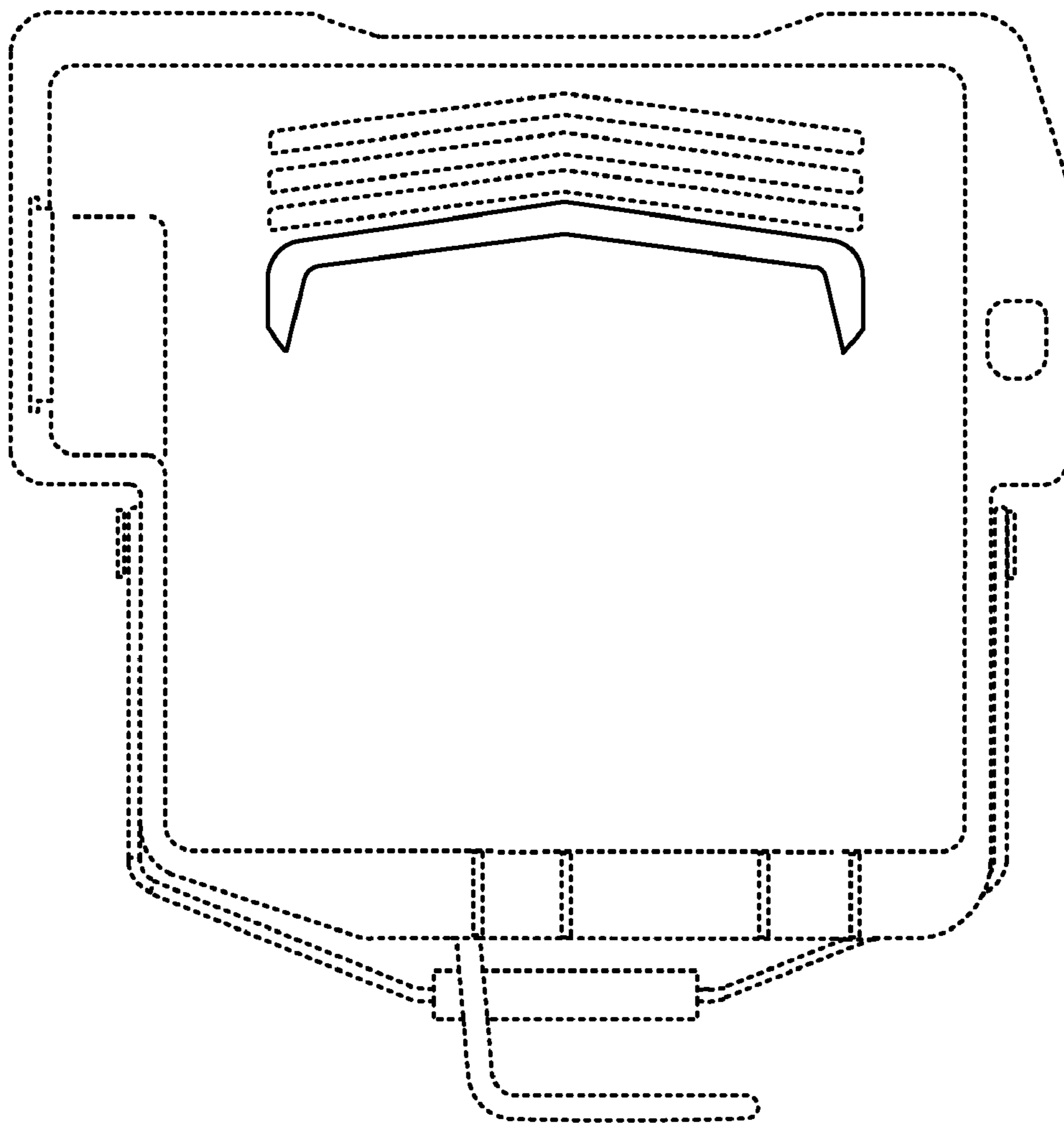


*Fig. 5*



*Fig. 6*





*Fig. 7*

**UNITED STATES PATENT AND TRADEMARK OFFICE**  
**Certificate**

Patent No. D. 581,119 S

Patented: November 18, 2008

On petition requesting issuance of a certificate for correction of inventorship pursuant to 35 U.S.C. 256, it has been found that the above identified patent, through error and without any deceptive intent, improperly sets forth the inventorship.

Accordingly, it is hereby certified that the correct inventorship of this patent is: Mark W. Bergman, Minnetonka, MN (US); Matthew V. Leyden, St. Paul, MN (US); Jeffrey B. Waffensmith, North Oaks, MN (US); and Jeffrey T. Given, St. Paul, MN (US).

Signed and Sealed this Second Day of July 2013.

**CATHRON BROOKS**  
*Supervisory Patent Examiner*  
Art Unit 2911  
Technology Center 2900