

US00D581116S

(12) **United States Design Patent**
Blom

(10) **Patent No.:** **US D581,116 S**
(45) **Date of Patent:** **** Nov. 18, 2008**

- (54) **CLOTH WITH CIRCULAR FLAP**
- (75) Inventor: **Dan Blom**, Paramount, CA (US)
- (73) Assignee: **Aquastar, Inc., Aquastar USA**
- (**) Term: **14 Years**
- (21) Appl. No.: **29/277,719**
- (22) Filed: **Mar. 7, 2007**

D472,055	S	*	3/2003	Ki	D5/56
6,844,058	B2	*	1/2005	Blum et al.	428/343
D513,884	S	*	1/2006	Ebisawa	D5/57
D521,742	S	*	5/2006	Kelly	D5/26
D550,414	S	*	9/2007	Caruso et al.	D32/40
2006/0123573	A1	*	6/2006	Rivera et al.	15/118

* cited by examiner

Primary Examiner—Pamela J Burgess
(74) *Attorney, Agent, or Firm*—Marc E. Hankins; Hankin Patent Law, APC

- (51) **LOC (8) Cl.** **07-05**
- (52) **U.S. Cl.** **D32/40; D5/47**
- (58) **Field of Classification Search** D32/40,
D32/41, 35; D5/53, 47, 61, 56, 62; D6/608;
D28/7, 63; 15/208, 209.1, 227, 142 R, 97.1,
15/121, 210.1, 228, 246, 107.94, 229.6–229.8,
15/104.93–94, 104.002
See application file for complete search history.

(57) **CLAIM**

The ornamental design for a cloth with circular flap, as shown and described.

DESCRIPTION

FIG. 1 is a top plan view of a cloth with circular flap showing the flap in a closed position; and,

FIG. 2 is a perspective view of a cloth with circular flap showing the cloth hanging on a hook through the flap, the flap being in an open position. The broken lines forming the hook are for illustrative purposes only and form no part of the claimed design.

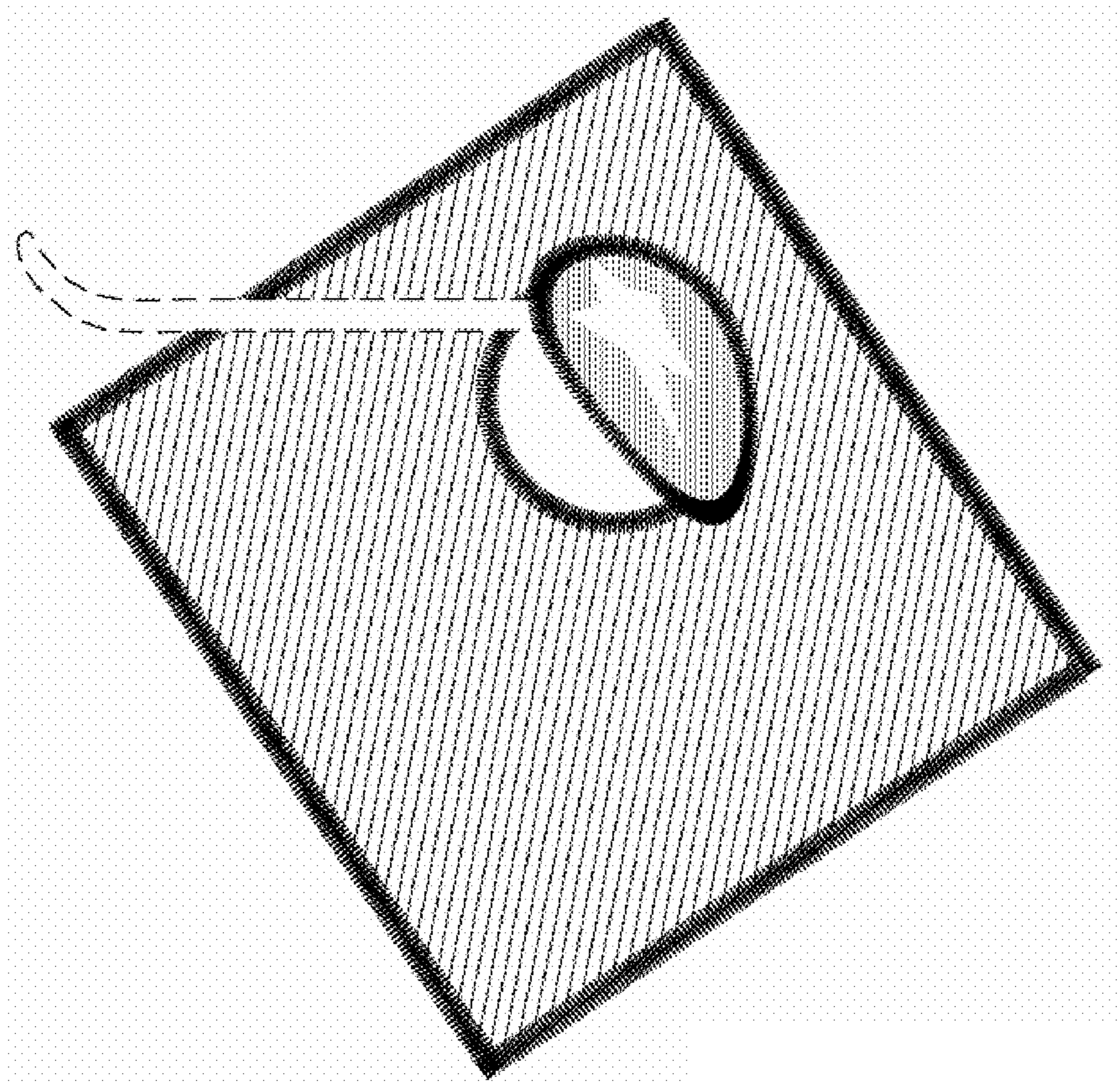
It is understood that the claimed design consists of the top surface of a cloth with circular flap.

1 Claim, 2 Drawing Sheets

(56) **References Cited**

U.S. PATENT DOCUMENTS

D113,603	S	*	2/1939	Levy	D5/47
D201,341	S	*	6/1965	Davis et al.	D5/47
3,769,119	A	*	10/1973	Mizell et al.	156/83
4,490,895	A	*	1/1985	Lin	28/143
D302,906	S	*	8/1989	le Brocquy	D5/41
4,993,099	A	*	2/1991	Emura et al.	15/118



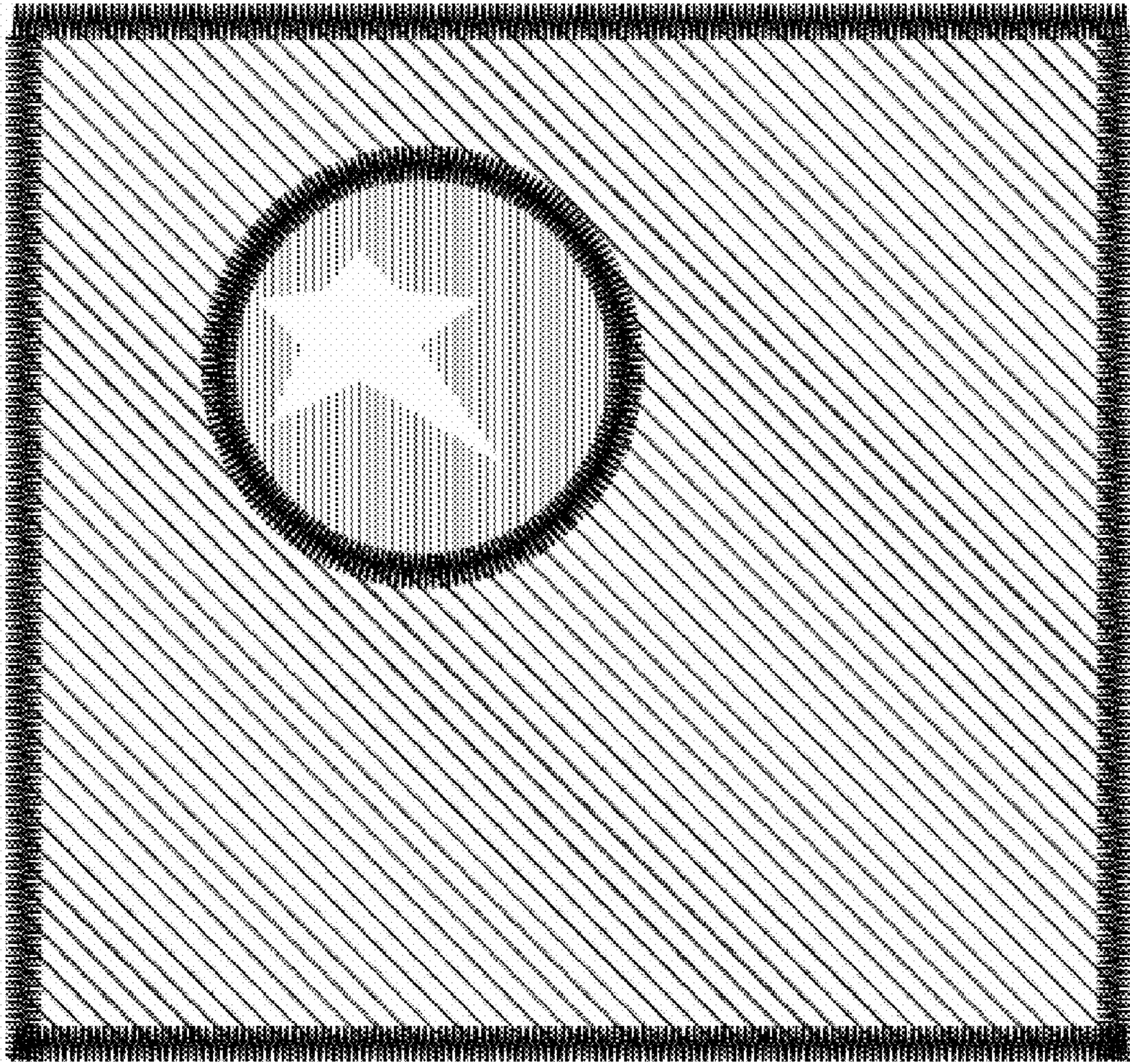


FIG. 1

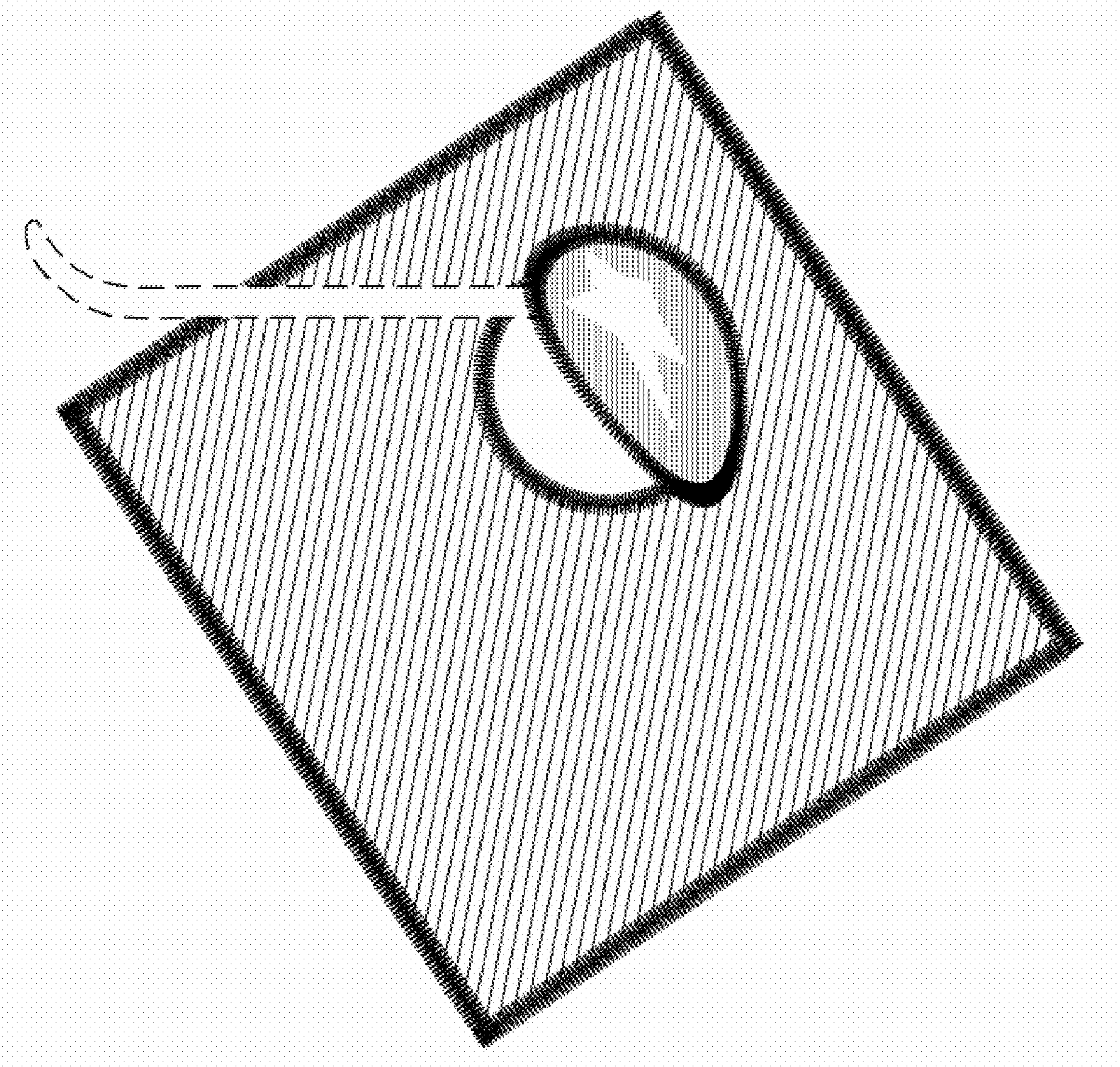


FIG. 2