



US00D581114S

(12) **United States Design Patent**  
**Crevling, Jr. et al.**

(10) **Patent No.:** **US D581,114 S**

(45) **Date of Patent:** **\*\* Nov. 18, 2008**

(54) **VACUUM CLEANER**

(75) Inventors: **Robert Lent Crevling, Jr.**,  
Williamsport, PA (US); **Li H. Liu**, South  
Williamsport, PA (US); **John Griffin**,  
Phoenix, AZ (US)

(73) Assignee: **Shop Vac Corporation**, Williamsport,  
PA (US)

(\*\*) Term: **14 Years**

(21) Appl. No.: **29/266,505**

(22) Filed: **Sep. 22, 2006**

(51) **LOC (8) Cl.** ..... **15-05**

(52) **U.S. Cl.** ..... **D32/23**

(58) **Field of Classification Search** ..... D32/21,  
D32/23-24, 31, 15-16; D23/225; 15/320-321,  
15/353, 323, 327.1-327.7, 329, 339, 412,  
15/340.2, 344, 347; 55/DIG. 2

See application file for complete search history.

(56) **References Cited**

**U.S. PATENT DOCUMENTS**

D383,573 S	9/1997	Saunders	
D470,280 S *	2/2003	Griffin et al.	D32/23
D479,371 S *	9/2003	Griffin et al.	D32/23
D506,042 S	6/2005	Griffin et al.	

D507,686 S *	7/2005	Krieger et al.	D32/23
D527,503 S *	8/2006	Griffin et al.	D32/21
D527,504 S	8/2006	Griffin et al.	
D528,255 S	9/2006	Griffin et al.	
D528,256 S *	9/2006	Beth et al.	D32/21

\* cited by examiner

*Primary Examiner*—Ruth McInroy

(74) *Attorney, Agent, or Firm*—Marshall, Gerstein & Borun  
LLP

(57) **CLAIM**

The ornamental design for a vacuum cleaner, as shown and  
described.

**DESCRIPTION**

FIG. 1 is an perspective view of a vacuum cleaner showing  
our new design;

FIG. 2 is a front elevational view thereof;

FIG. 3 is a side elevational view thereof;

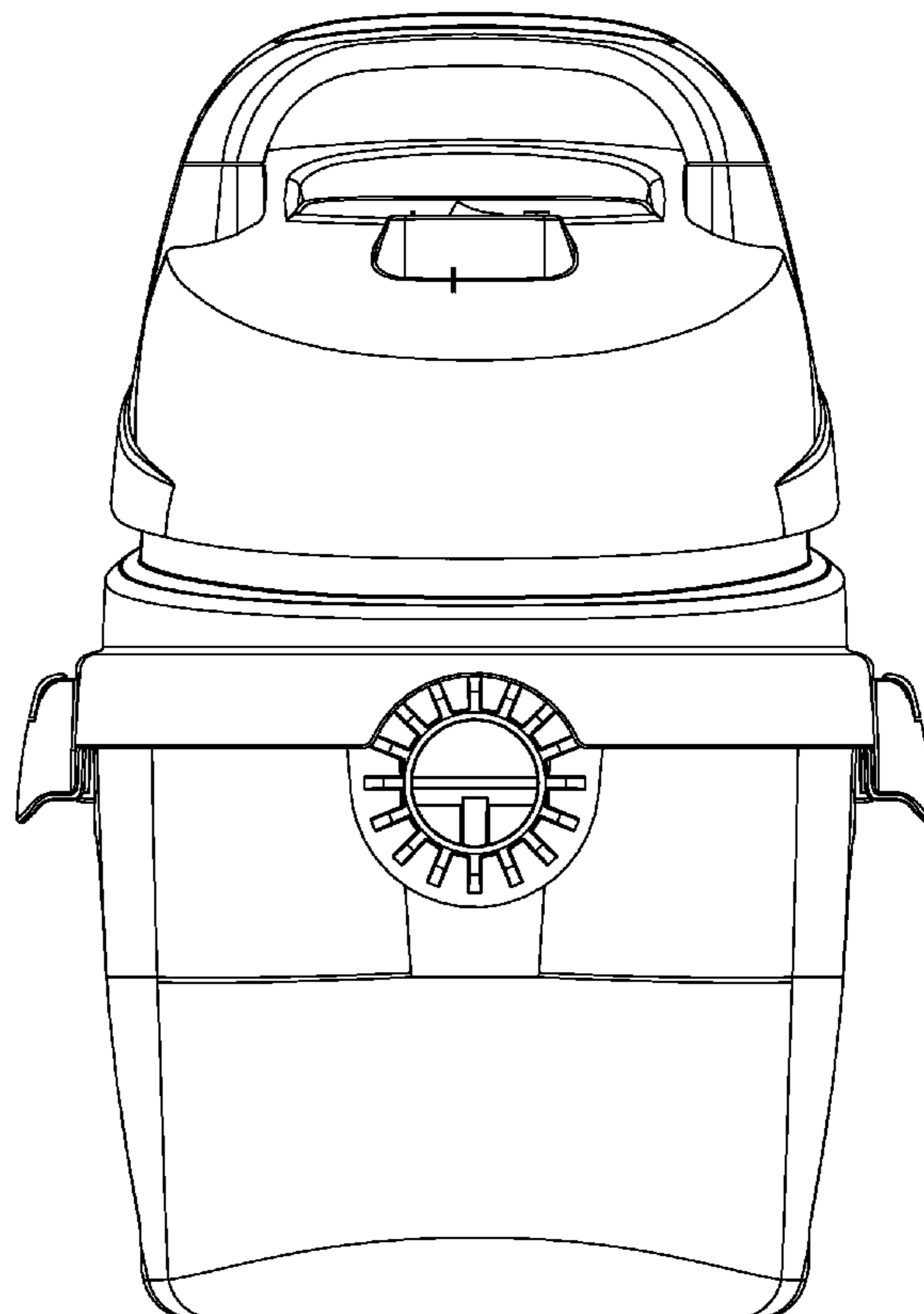
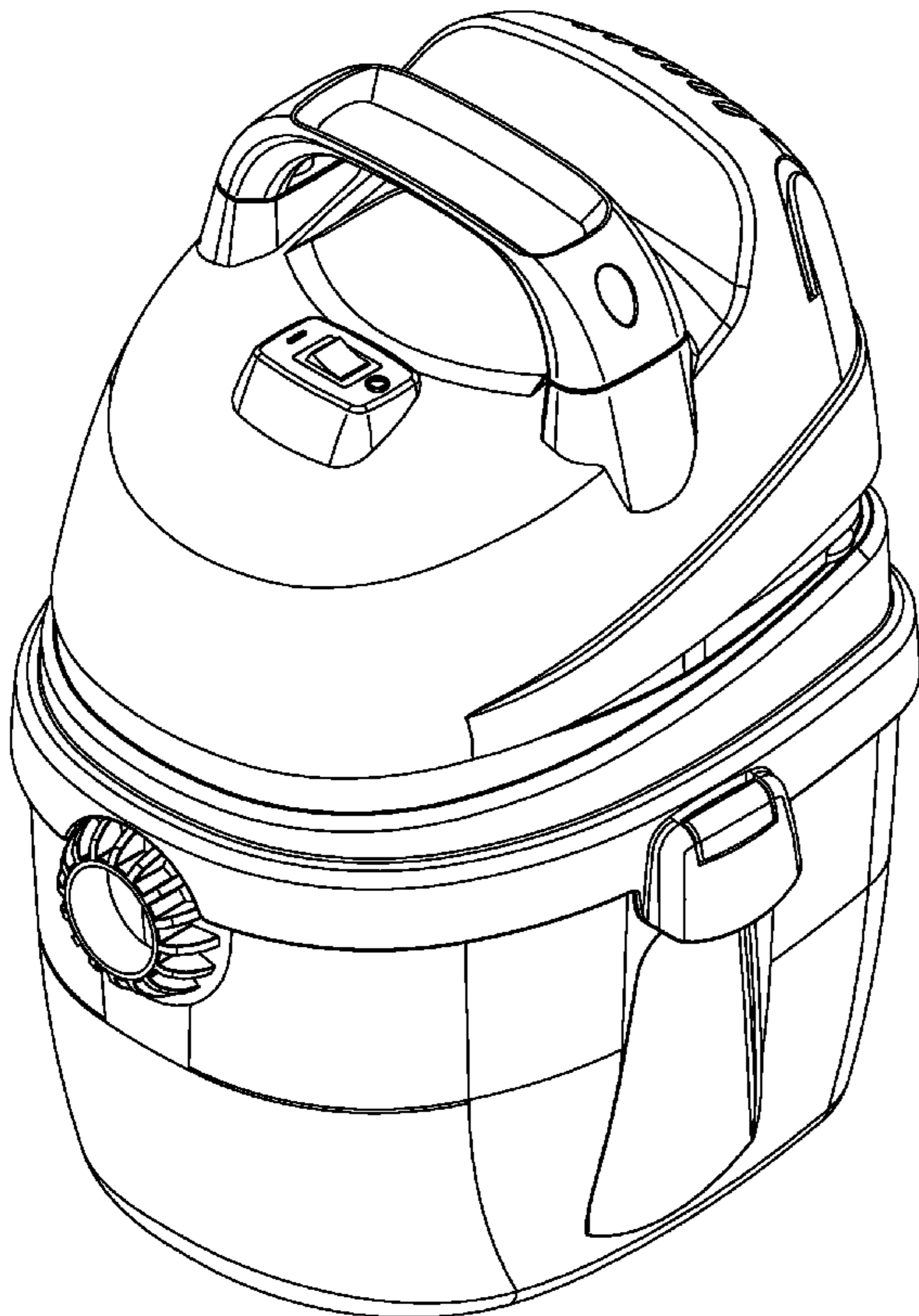
FIG. 4 is a side elevational view of the opposite side of FIG.  
3;

FIG. 5 is a rear elevational view thereof; and,

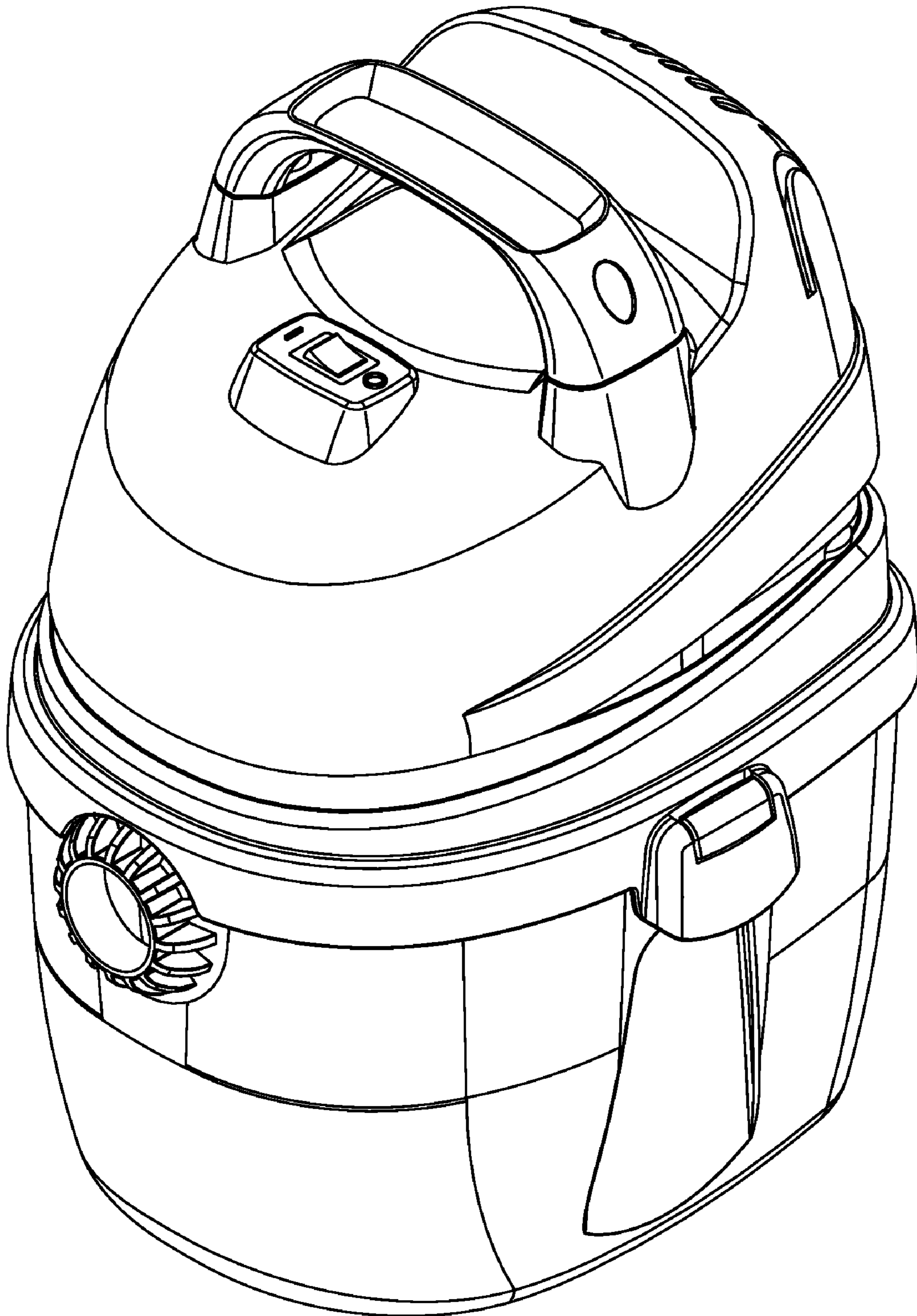
FIG. 6 is a top plan view thereof.

The bottom of the vacuum cleaner forms no part of the  
claimed design.

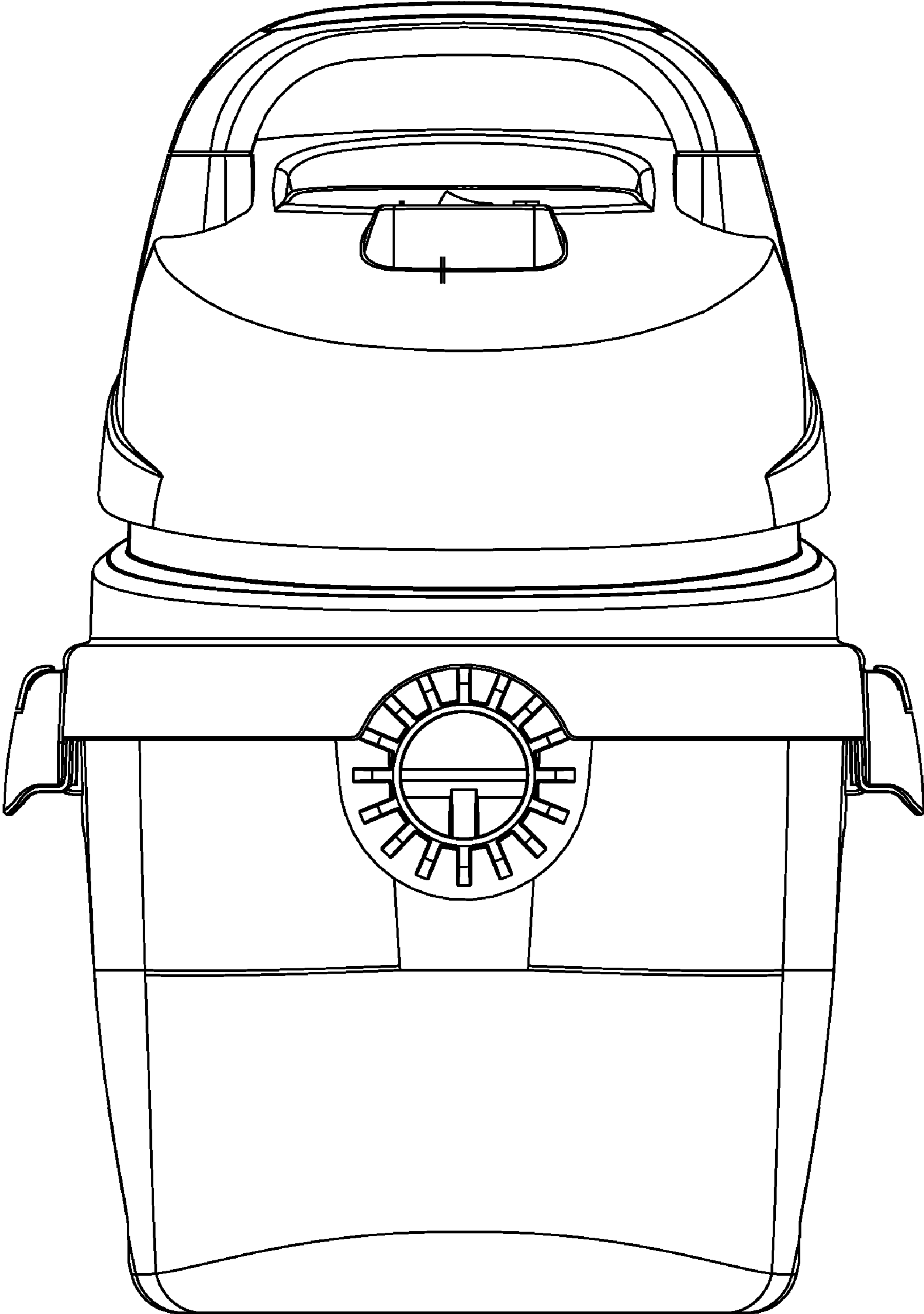
**1 Claim, 6 Drawing Sheets**



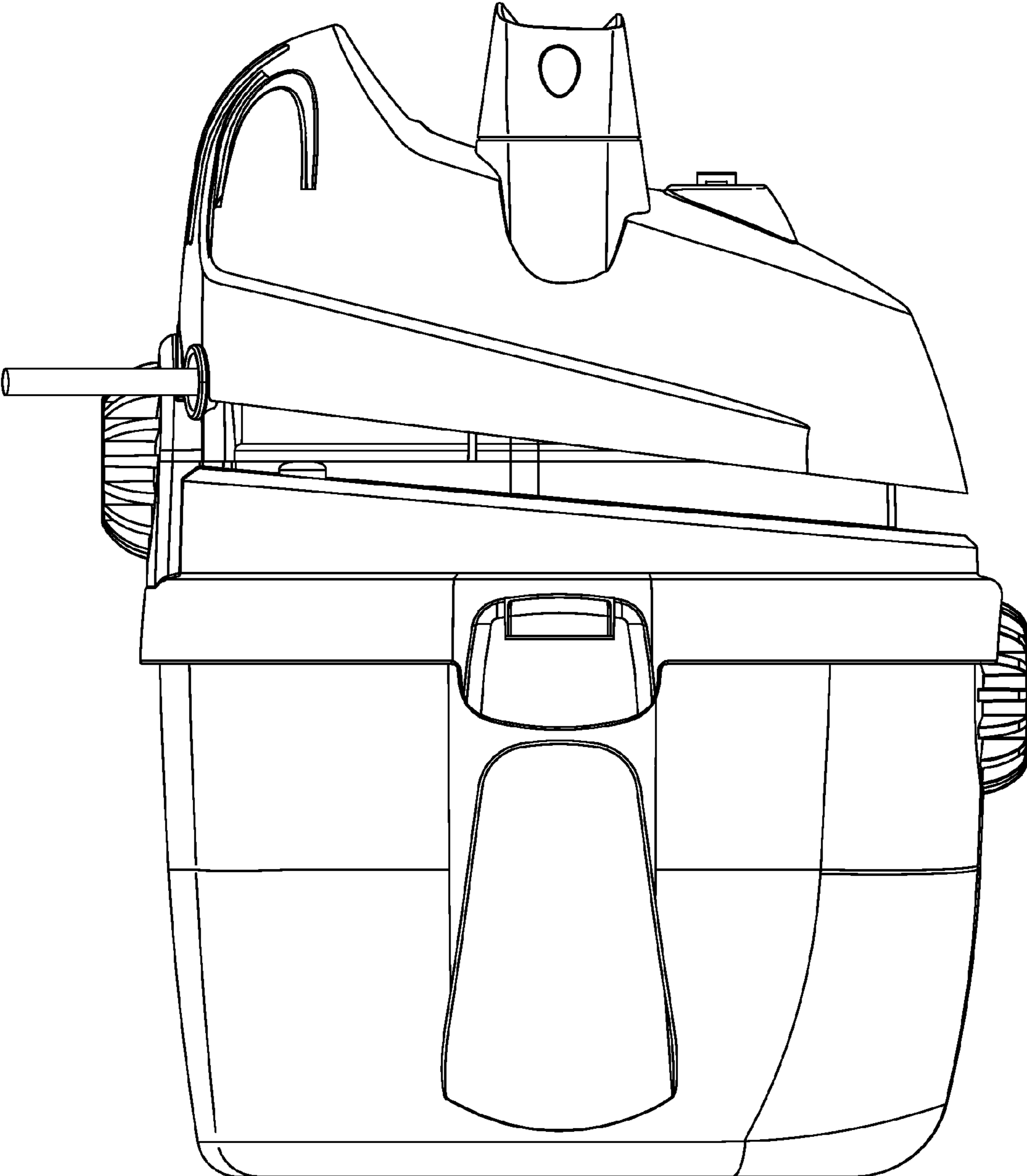
**FIG. 1**



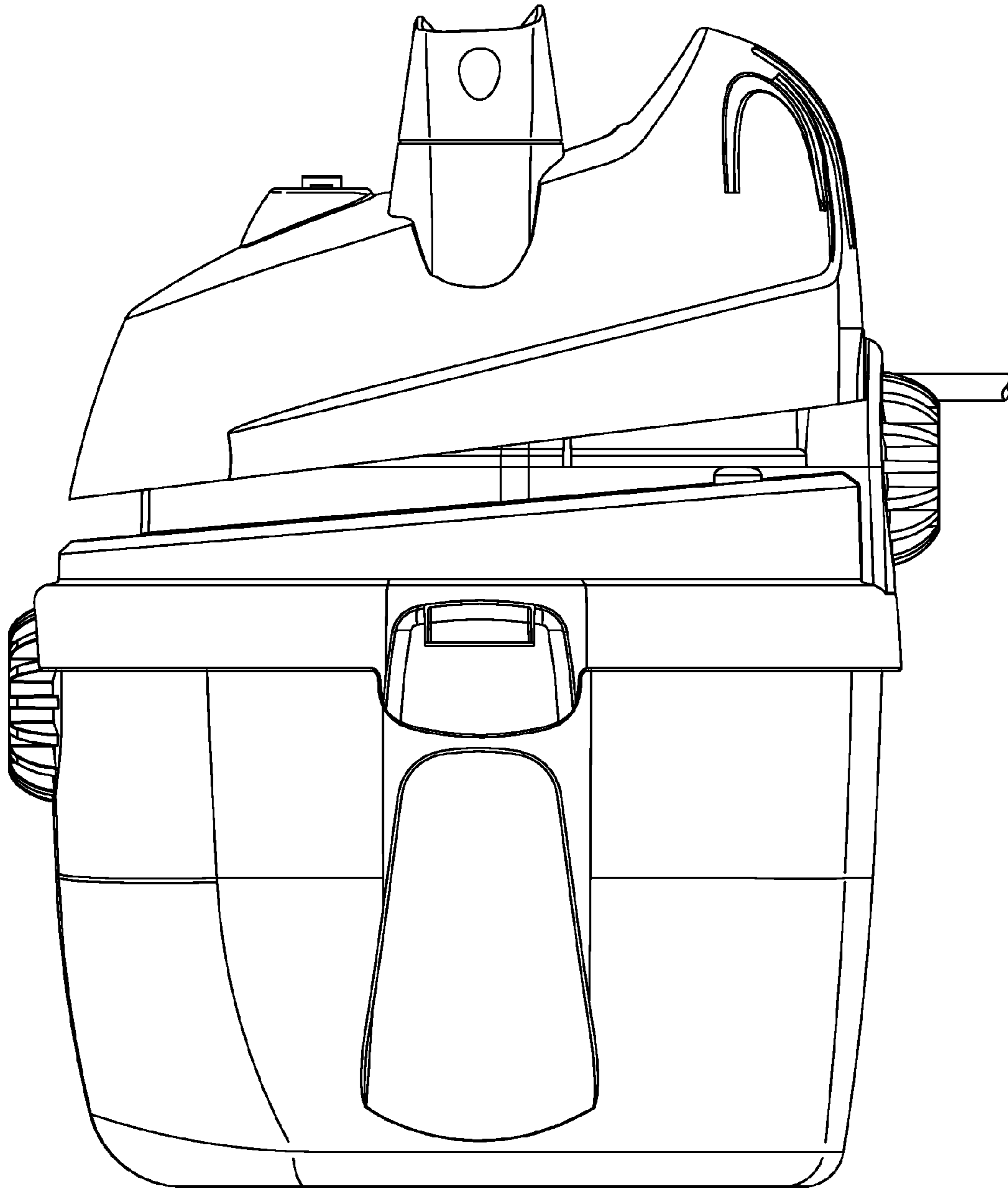
**FIG. 2**



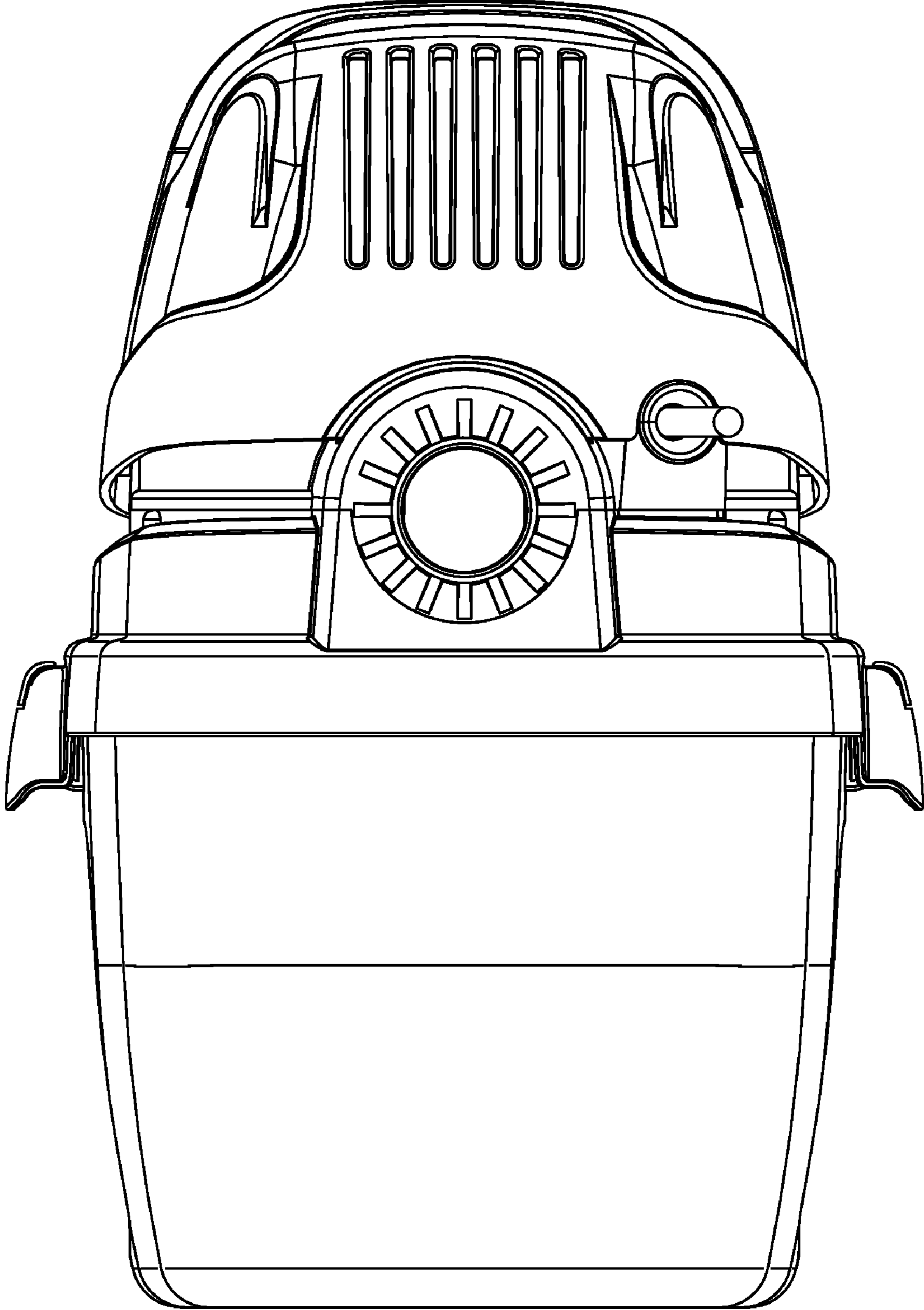
**FIG. 3**



**FIG. 4**



**FIG. 5**



**FIG. 6**

