



US00D581113S

(12) **United States Design Patent**
Hoshino et al.

(10) **Patent No.:** **US D581,113 S**
(45) **Date of Patent:** **** Nov. 18, 2008**

(54) **BACKPACK VACUUM CLEANER**

(75) Inventors: **Kiyoshi Hoshino**, Pewaukee, WI (US);
Curtis J. Eccardt, Defiance, MO (US);
Edgar Montague, Charlotte, NC (US);
Jay Fording, Huntersville, NC (US);
Arthur Wu, Charlotte, NC (US)

(73) Assignee: **Emerson Electric Co.**, St. Louis, MO (US)

(**) Term: **14 Years**

(21) Appl. No.: **29/297,993**

(22) Filed: **Nov. 26, 2007**

(51) **LOC (8) Cl.** **15-05**
(52) **U.S. Cl.** **D32/21**
(58) **Field of Classification Search** D32/21-24,
D32/31, 34, 16, 30; 15/320-321, 323, 327.1-327.7,
15/329, 335, 340.2, 351, 353, 361, 410-412,
15/246.2, 246.5, DIG. 10, 347, 350; 285/7;
55/DIG. 3, 345, 337, 459.1, 418, 471, 318,
55/429; 95/271

See application file for complete search history.

(56) **References Cited**

U.S. PATENT DOCUMENTS

D202,768 S	11/1965	Davis et al.	
D204,232 S	4/1966	Nelson	
D204,366 S	4/1966	Nelson	
D204,367 S	4/1966	McGuire	
D219,835 S	2/1971	Otto et al.	
4,748,712 A	6/1988	DiGiovanni	
D312,517 S *	11/1990	Hohrein et al.	D32/23
D315,234 S	3/1991	Frisell	
D326,747 S *	6/1992	Stickle	D32/21
5,267,371 A	12/1993	Soler et al.	
5,588,177 A	12/1996	Eriksen	
D381,481 S *	7/1997	Medema et al.	D32/31
D398,426 S *	9/1998	Bisson	D32/21

6,151,749 A	11/2000	Berfield	
D435,322 S *	12/2000	DeBlasis et al.	D32/21
D446,365 S *	8/2001	Bisson	D32/21
D455,531 S *	4/2002	Cartellone	D32/23
D459,039 S *	6/2002	Bisson	D32/21
6,553,610 B1	4/2003	Shideler	
6,568,026 B2	5/2003	Roy et al.	
D482,166 S	11/2003	Paterson et al.	
6,647,586 B2	11/2003	Rogers et al.	
D521,695 S	5/2006	Jacobs et al.	
D537,583 S *	2/2007	Crevling et al.	D32/21
D549,904 S *	8/2007	Eccardt et al.	D32/21
D572,420 S *	7/2008	Genoa et al.	D32/21
2007/0044270 A1 *	3/2007	Crevling et al.	15/327.5
2007/0174992 A1	8/2007	Murray et al.	
2007/0209140 A1 *	9/2007	Clarke	15/327.5

* cited by examiner

Primary Examiner—Ruth McInroy

(74) *Attorney, Agent, or Firm*—Locke Lord Bissell & Liddell LLP

(57) **CLAIM**

The ornamental design for a backpack vacuum cleaner, as shown and described.

DESCRIPTION

FIG. 1 is an front perspective view of the backpack vacuum cleaner;

FIG. 2 is a front elevational view thereof;

FIG. 3 is a rear elevational view thereof;

FIG. 4 is a side view thereof;

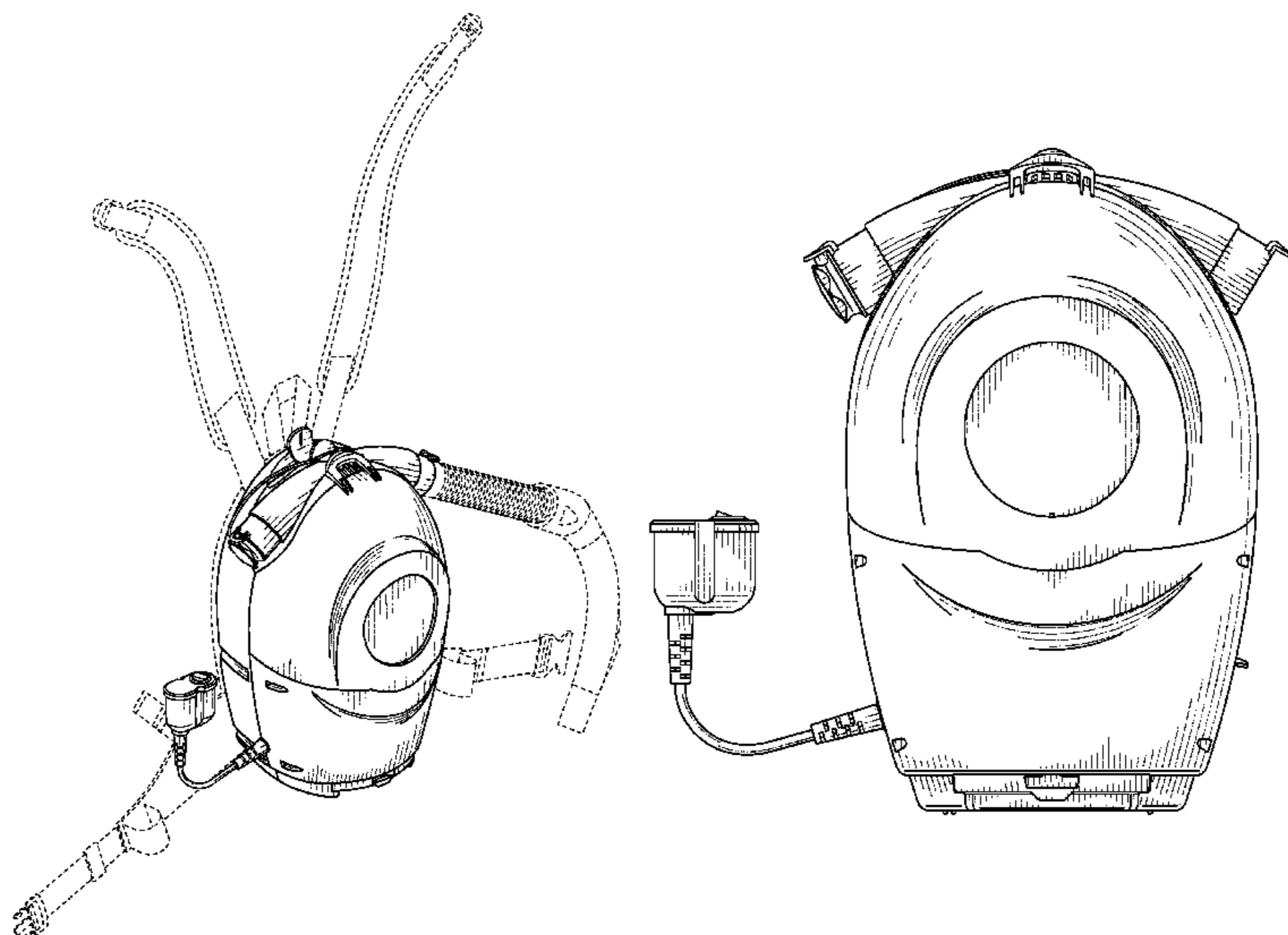
FIG. 5 is a side view thereof, showing the opposite side of FIG. 4;

FIG. 6 is a top plan view thereof; and,

FIG. 7 is a bottom plan view thereof.

The broken lines in FIGS. 1-7 are for illustrative purposes only and form no part of the claimed design.

1 Claim, 6 Drawing Sheets



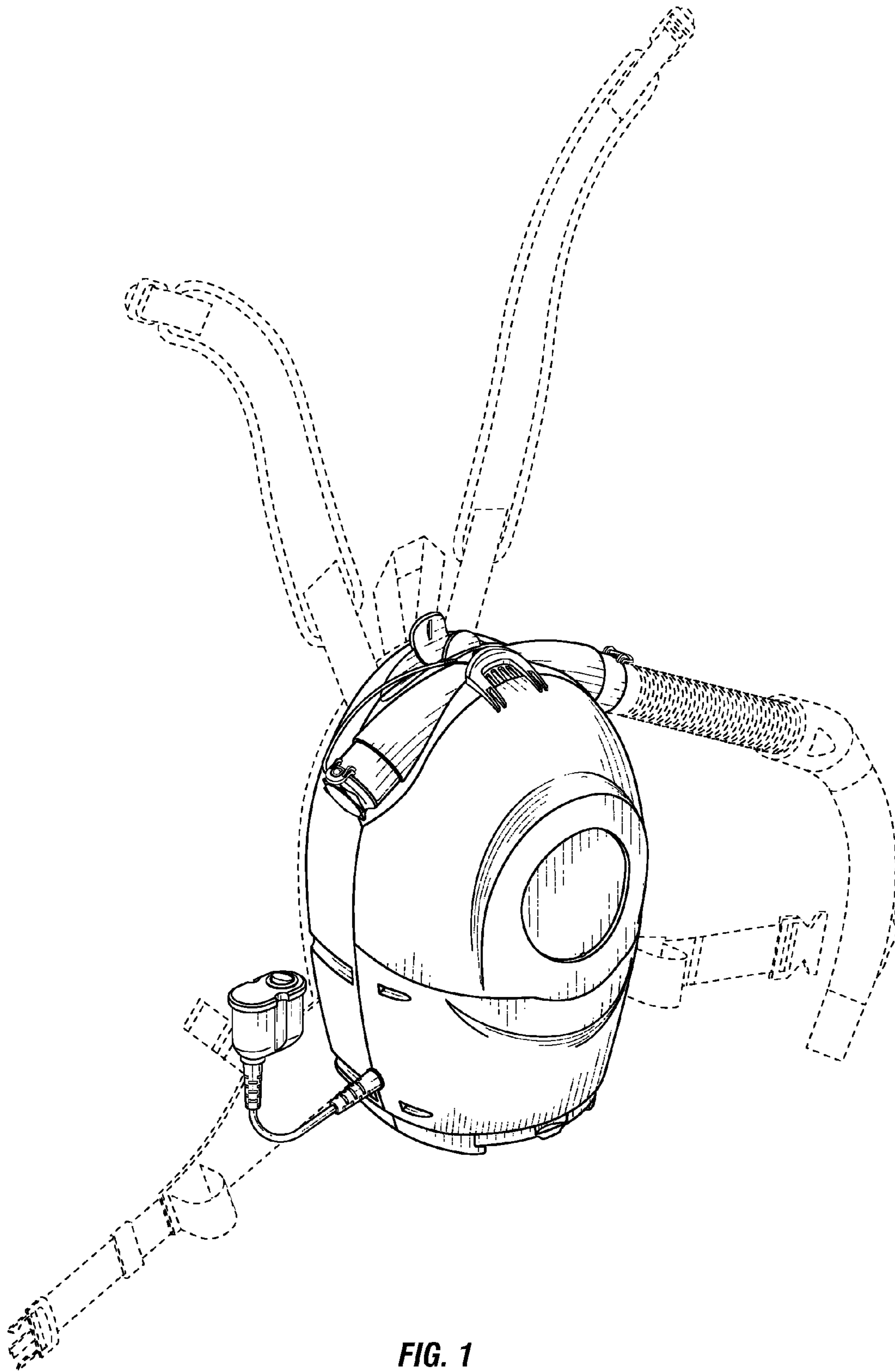


FIG. 1

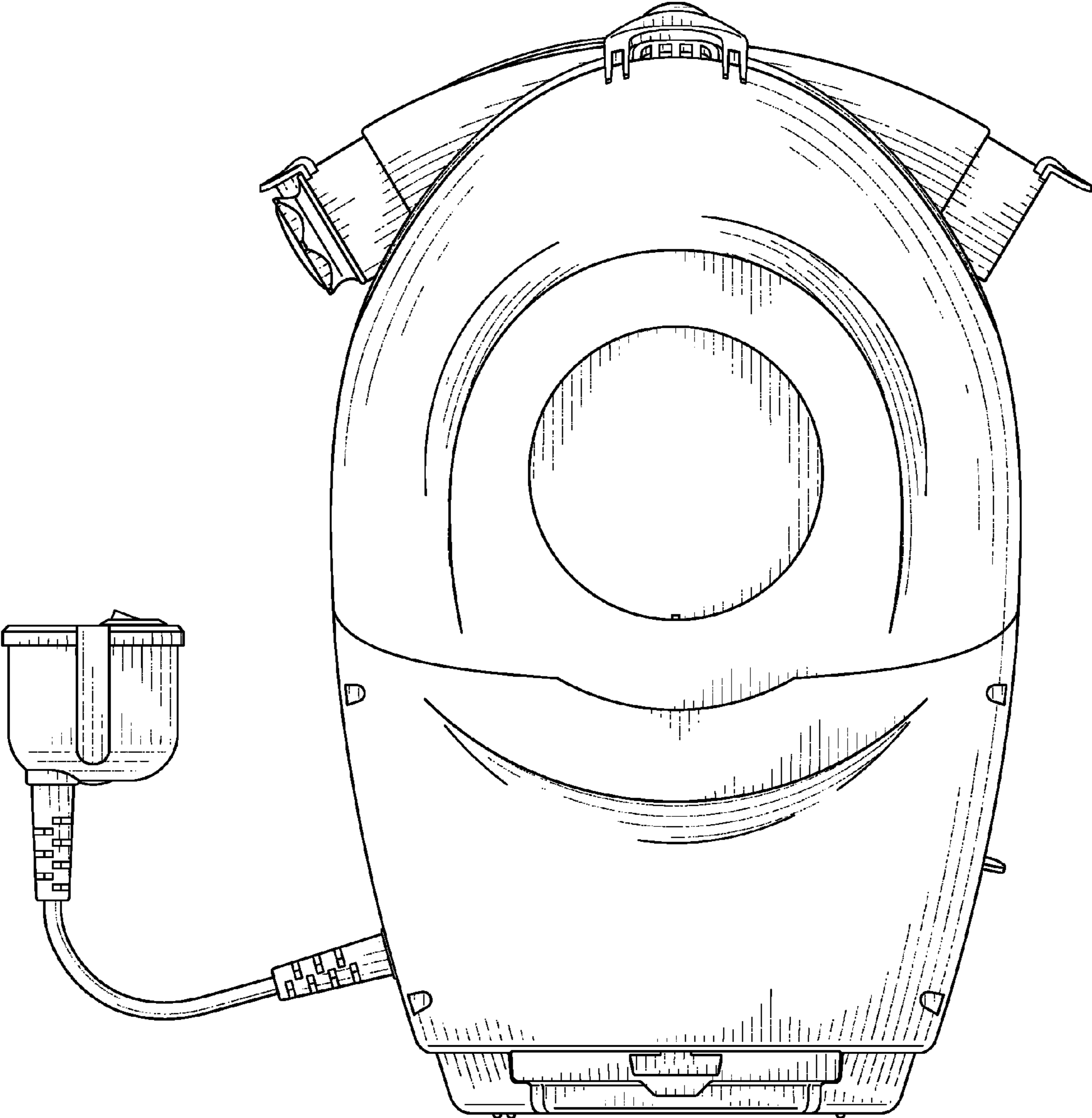


FIG. 2

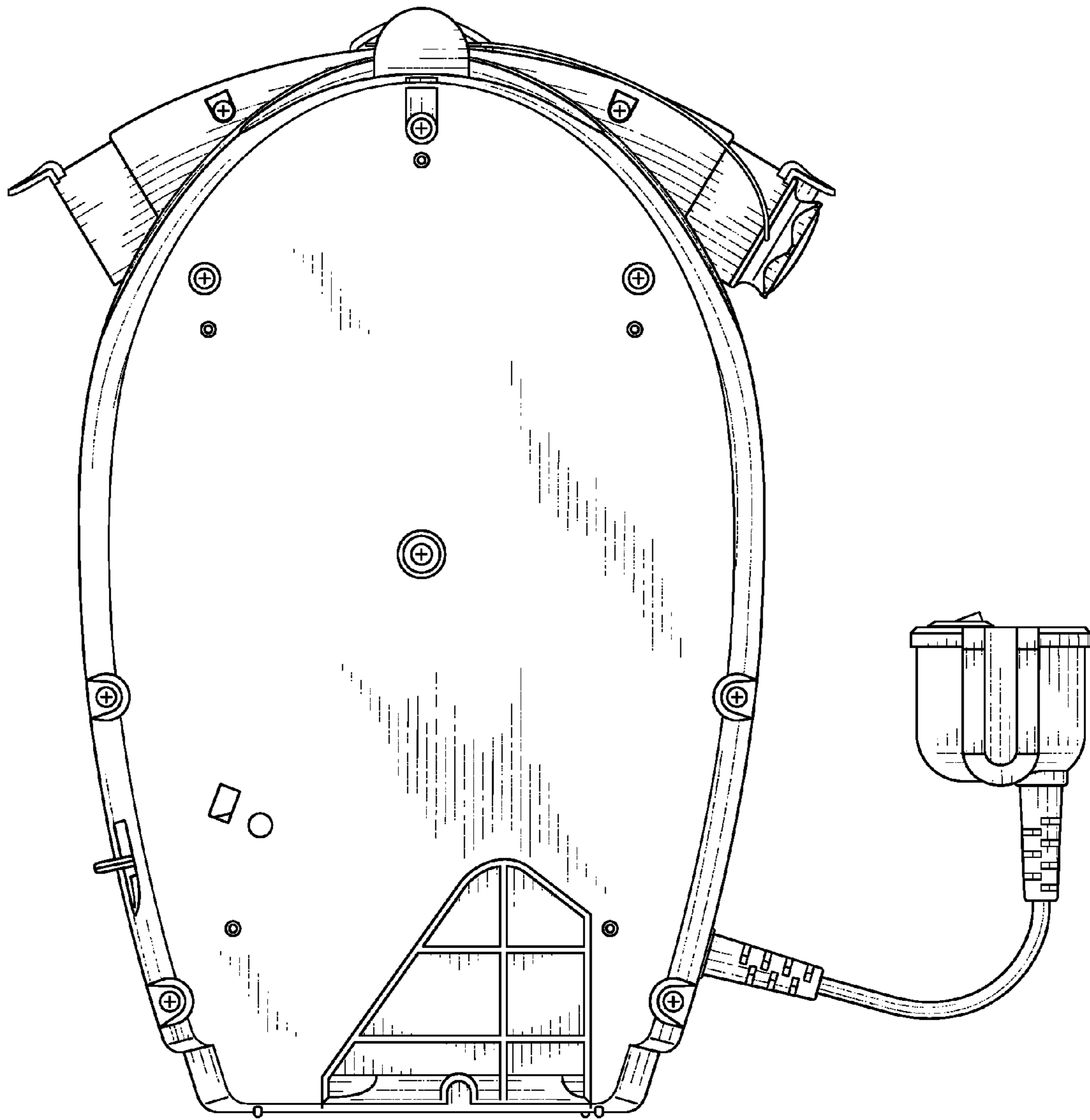


FIG. 3

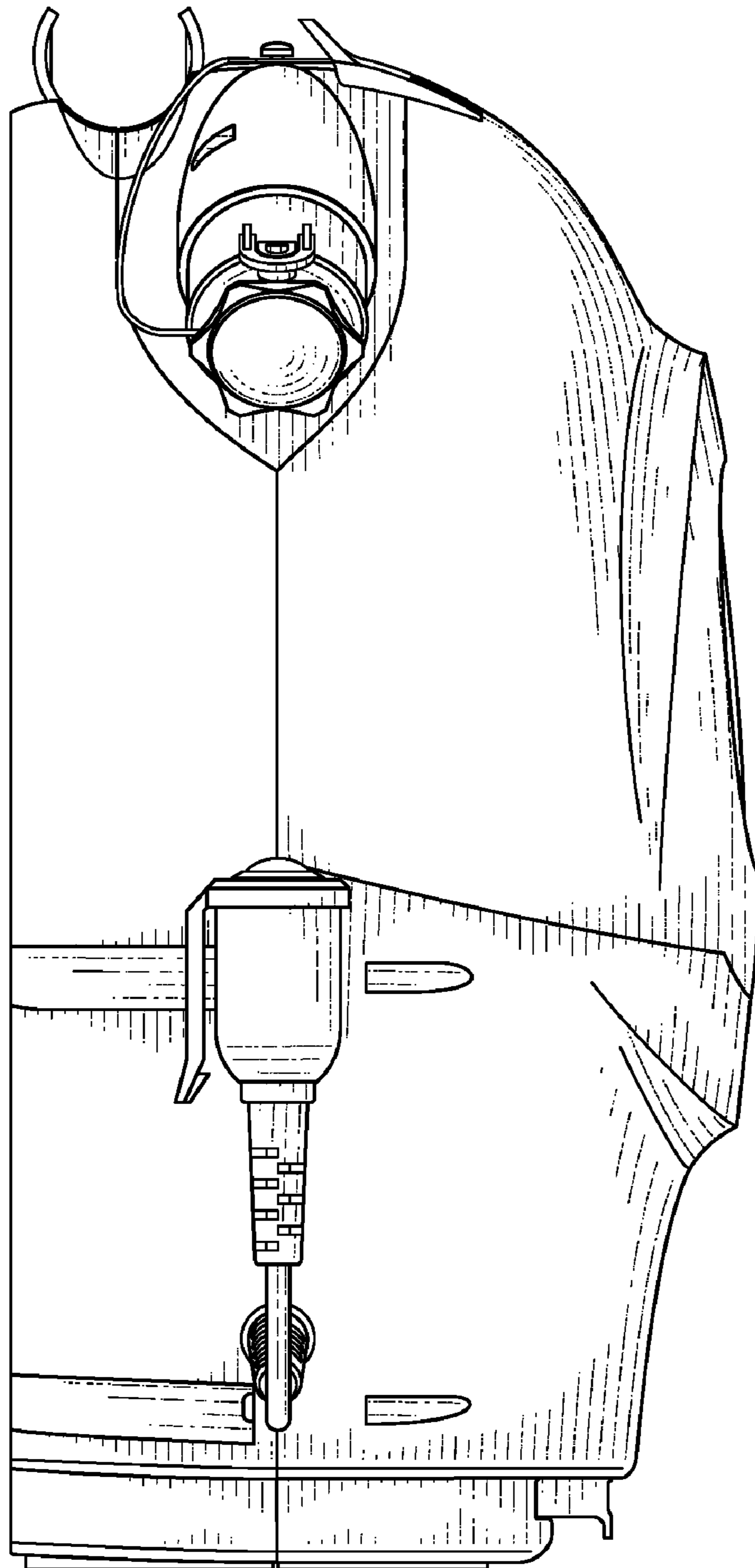


FIG. 4

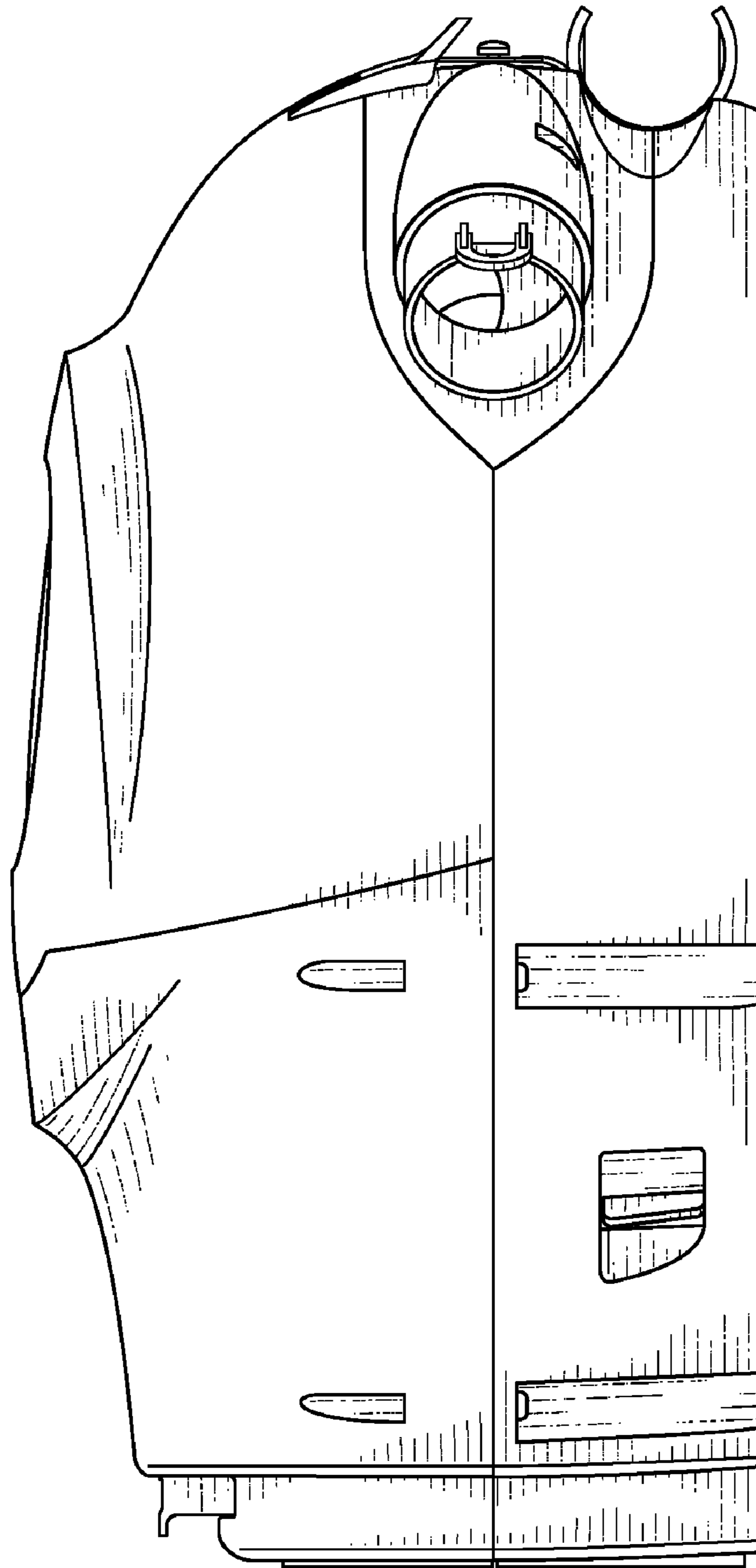


FIG. 5

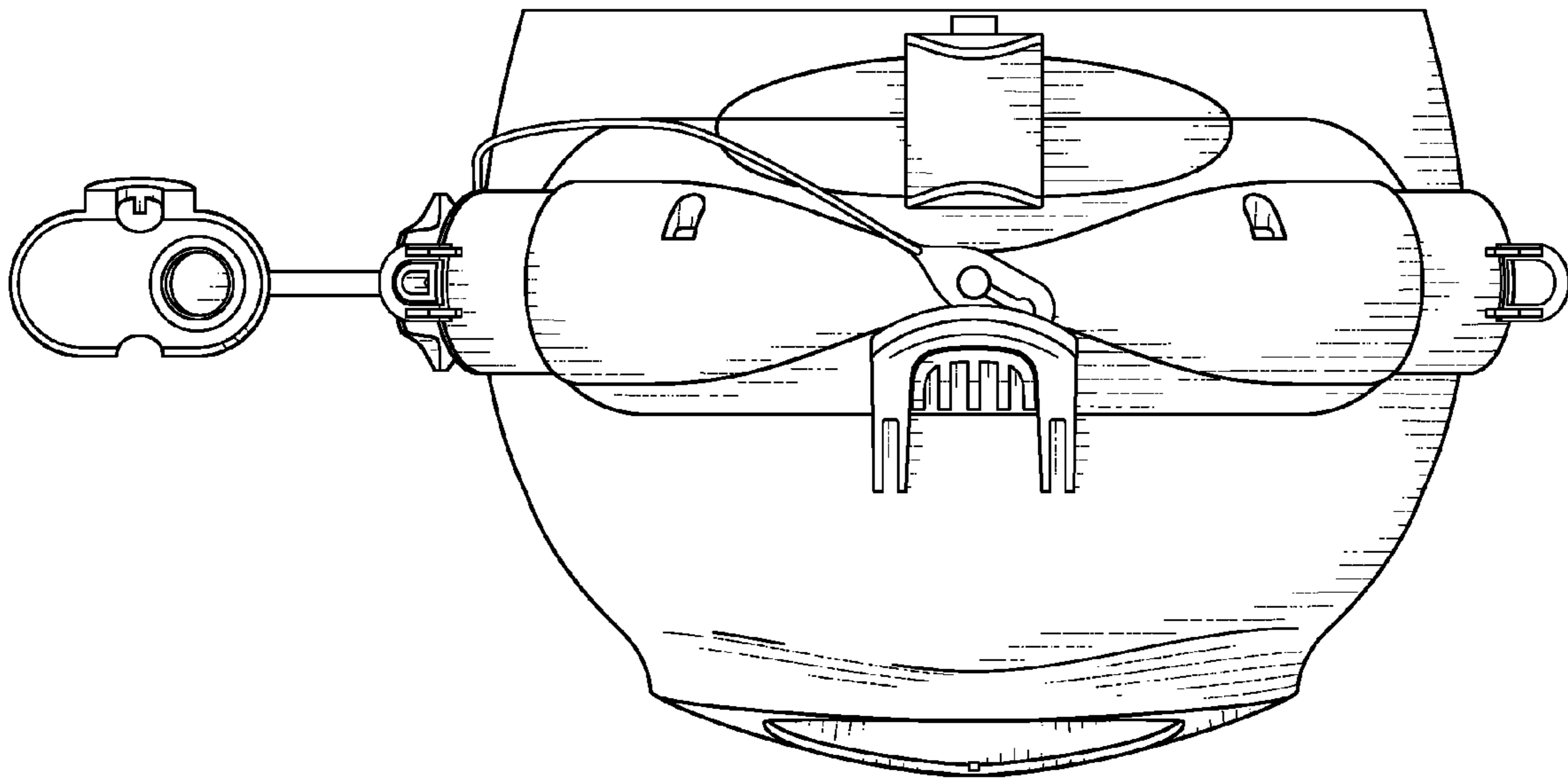


FIG. 6

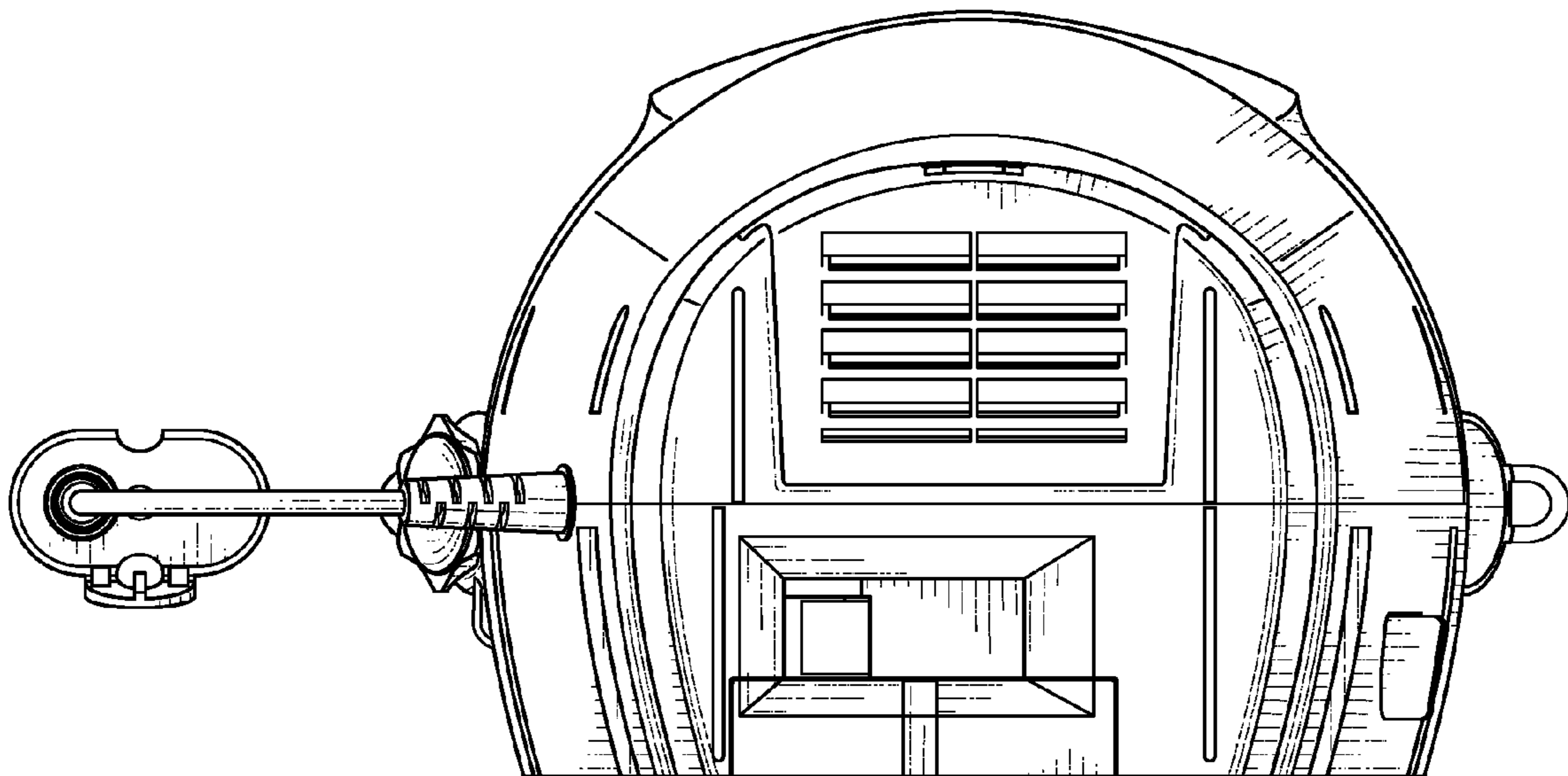


FIG. 7