



US00D581111S

(12) **United States Design Patent**  
**DiPasquale**

(10) **Patent No.:** **US D581,111 S**

(45) **Date of Patent:** **\*\* Nov. 18, 2008**

(54) **VACUUM**

(75) Inventor: **Kathy E. DiPasquale**, Baltimore, MD  
(US)

(73) Assignee: **Black & Decker Inc.**, Newark, DE (US)

(\*\*) Term: **14 Years**

(21) Appl. No.: **29/292,507**

(22) Filed: **Oct. 12, 2007**

(51) **LOC (8) Cl.** ..... **15-05**

(52) **U.S. Cl.** ..... **D32/21**

(58) **Field of Classification Search** ..... D32/21-24,  
D32/31, 34, 16, 30; 15/320-321, 323, 327.1-327.7,  
15/329, 335, 340.2, 351, 353, 361, 410-412,  
15/246.2, 246.5, DIG. 10, 347, 350; 285/7;  
55/DIG. 3, 345, 337, 459.1, 418, 471, 318,  
55/429; 95/271

See application file for complete search history.

(56) **References Cited**

**U.S. PATENT DOCUMENTS**

446,612 A \* 2/1891 Pigott ..... 68/269 R  
D318,543 S \* 7/1991 Shero ..... D32/23

(Continued)

**FOREIGN PATENT DOCUMENTS**

DE	M8907254	10/1989
DE	M9101412.3	2/1991
DE	M9202726	10/1992
DE	M9304821	12/1993
DE	MR49810120	6/1999
DE	MR40200027	7/2002
DE	40405855.8	10/2004
EM	000040175-0001	11/2003
EM	000207956-0001	10/2004
EM	000241419-0001	1/2005
EM	000283072-0002	3/2005
EM	000283072-0003	3/2005
EM	000319652-0001	5/2005
EM	000323787-0001	5/2005

(Continued)

*Primary Examiner*—Ruth McInroy

(74) *Attorney, Agent, or Firm*—Scott B. Markow; Adan Ayala

(57) **CLAIM**

The ornamental design for a vacuum, as shown and described.

**DESCRIPTION**

FIG. 1 is a perspective view of a first embodiment of a vacuum.

FIG. 2 is a front view thereof.

FIG. 3 is a rear view thereof.

FIG. 4 is a left view thereof.

FIG. 5 is a right view thereof.

FIG. 6 is a top view thereof.

FIG. 7 is a bottom view thereof.

FIG. 8 is a perspective view of a second embodiment of a vacuum.

FIG. 9 is a front view thereof.

FIG. 10 is a rear view thereof.

FIG. 11 is a left view thereof.

FIG. 12 is a right view thereof.

FIG. 13 is a top view thereof.

FIG. 14 is a bottom view thereof.

FIG. 15 is a perspective view of a third embodiment of a vacuum.

FIG. 16 is a front view thereof.

FIG. 17 is a rear view thereof.

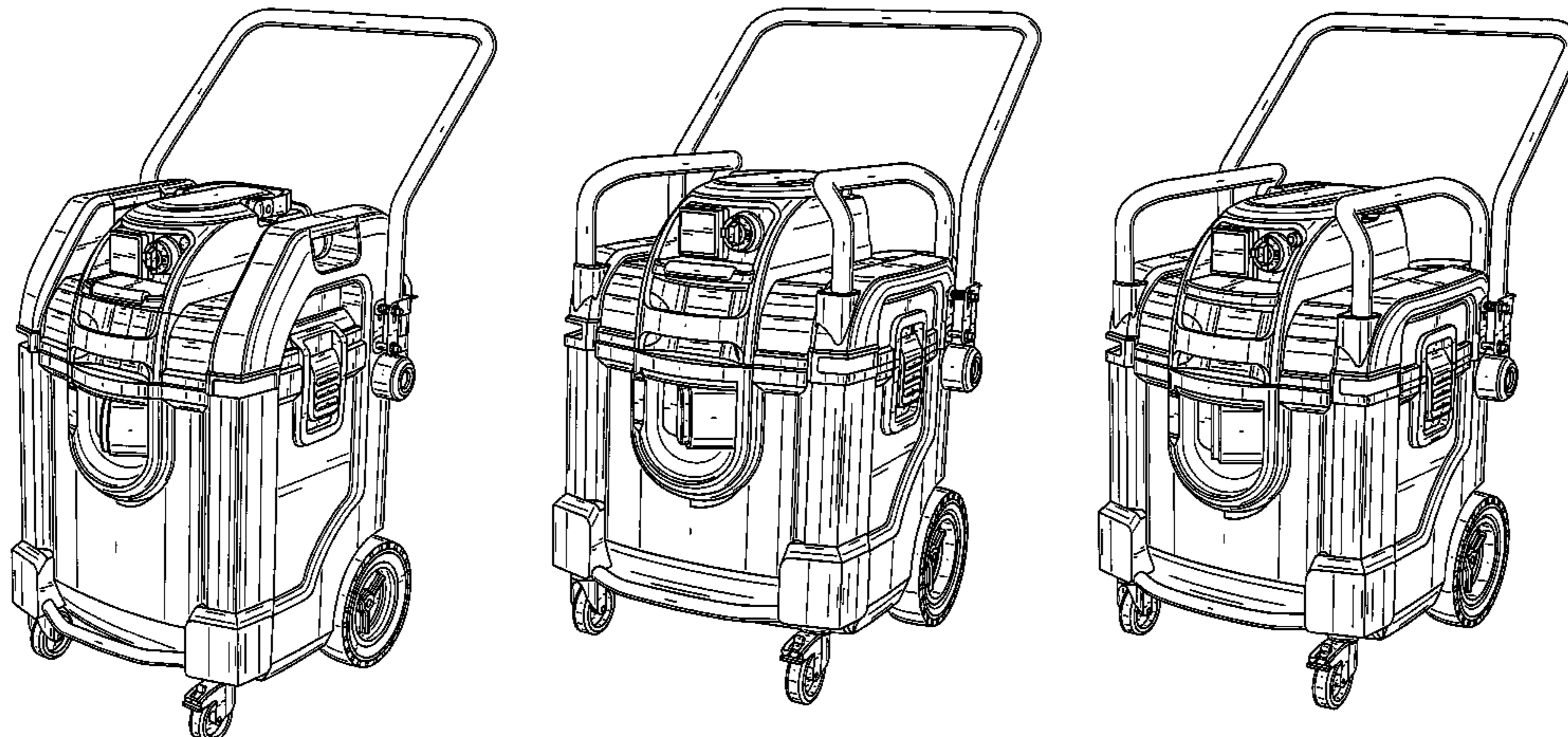
FIG. 18 is a left view thereof.

FIG. 19 is a right view thereof.

FIG. 20 is a top view thereof; and,

FIG. 21 is a bottom view thereof.

**1 Claim, 21 Drawing Sheets**





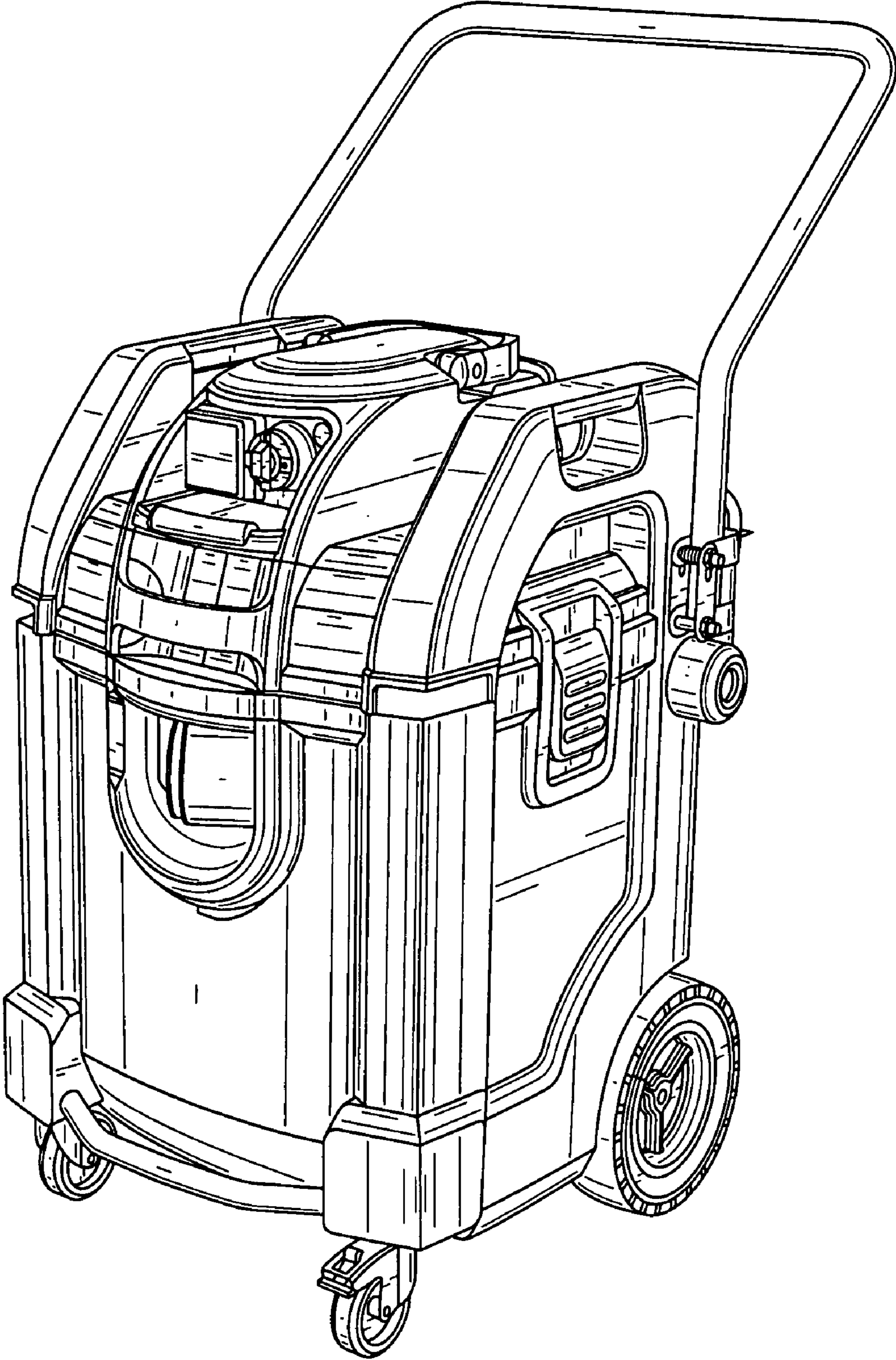


FIG. 1



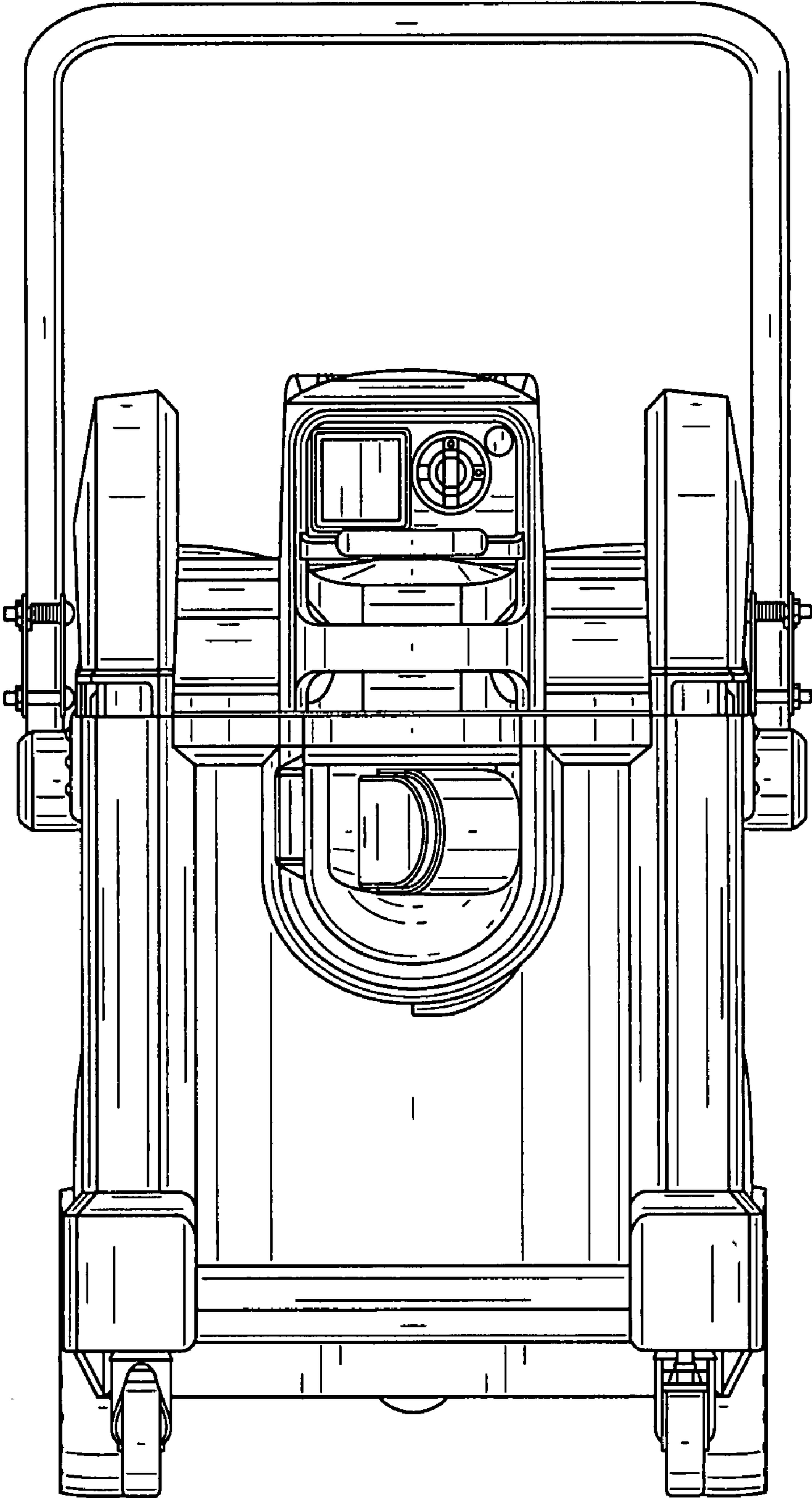


FIG. 2

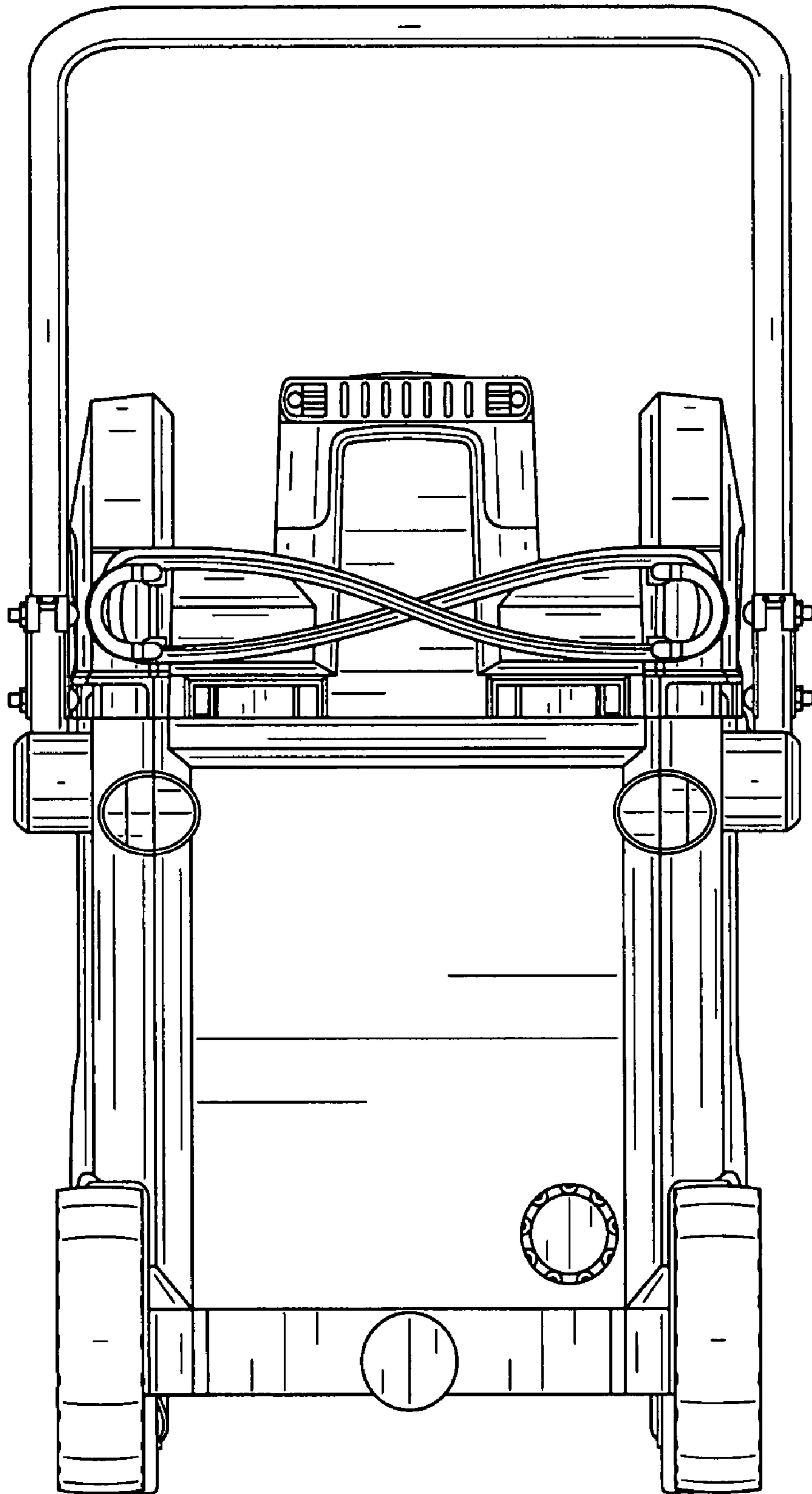


FIG. 3

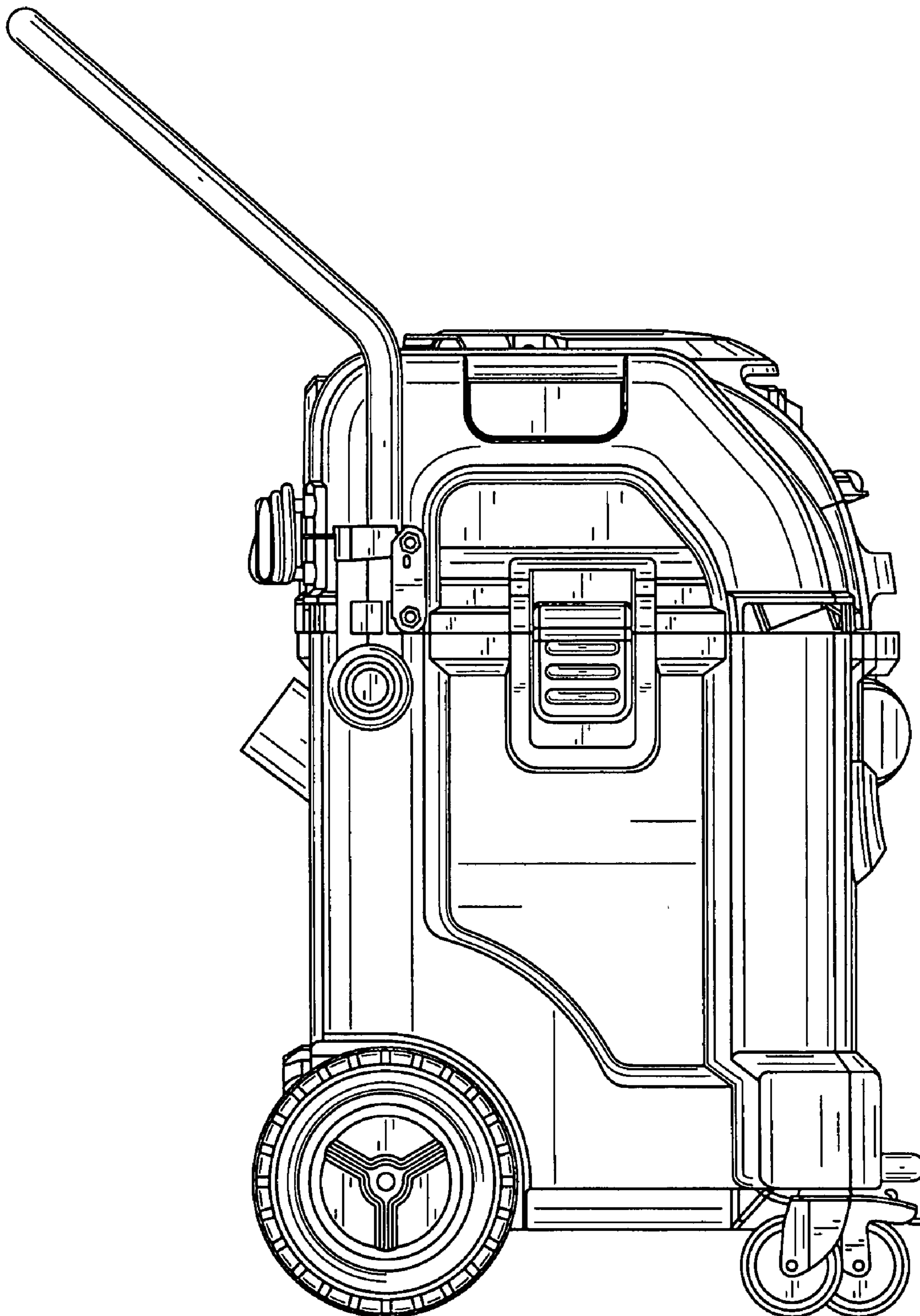


FIG. 4

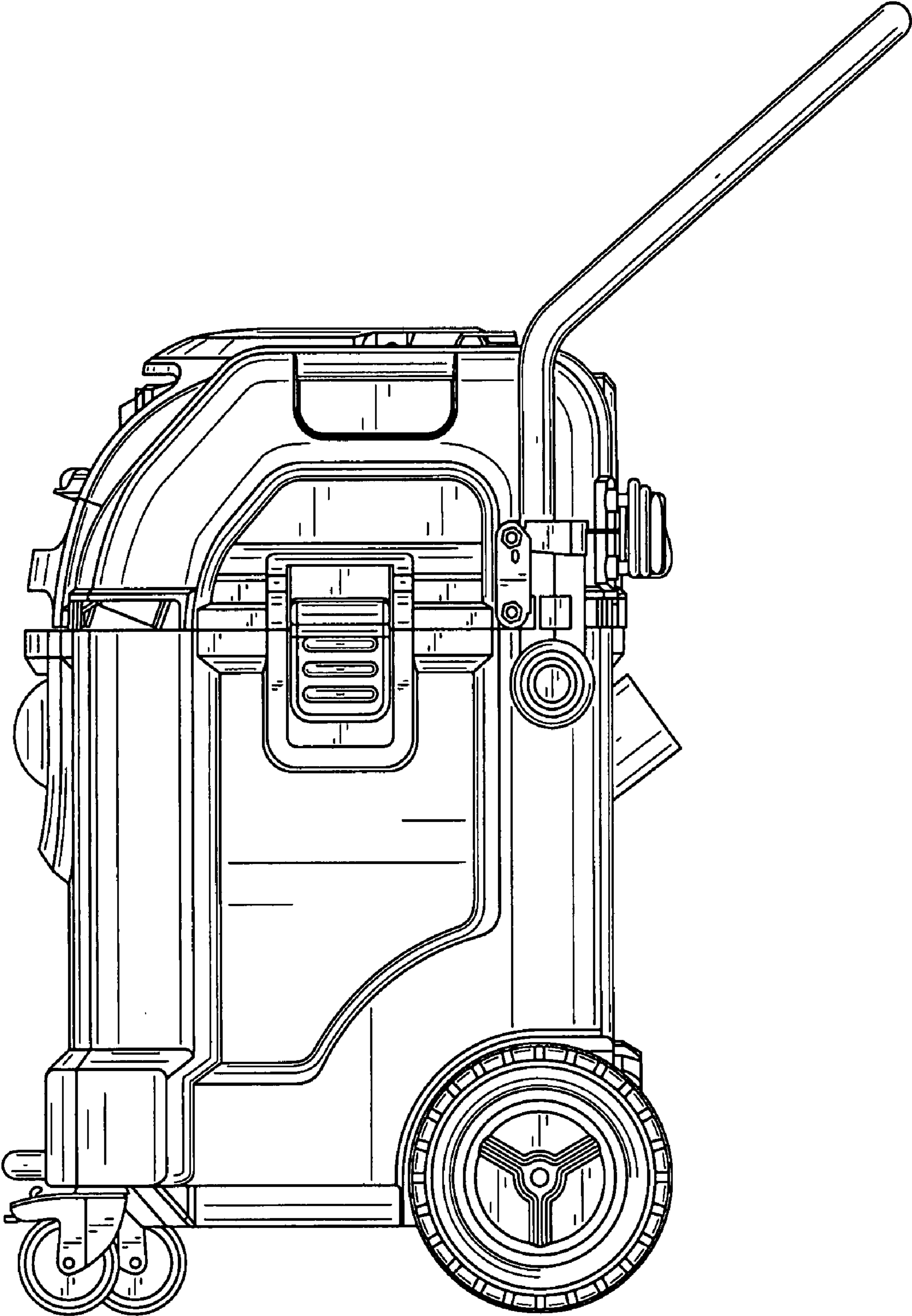


FIG. 5

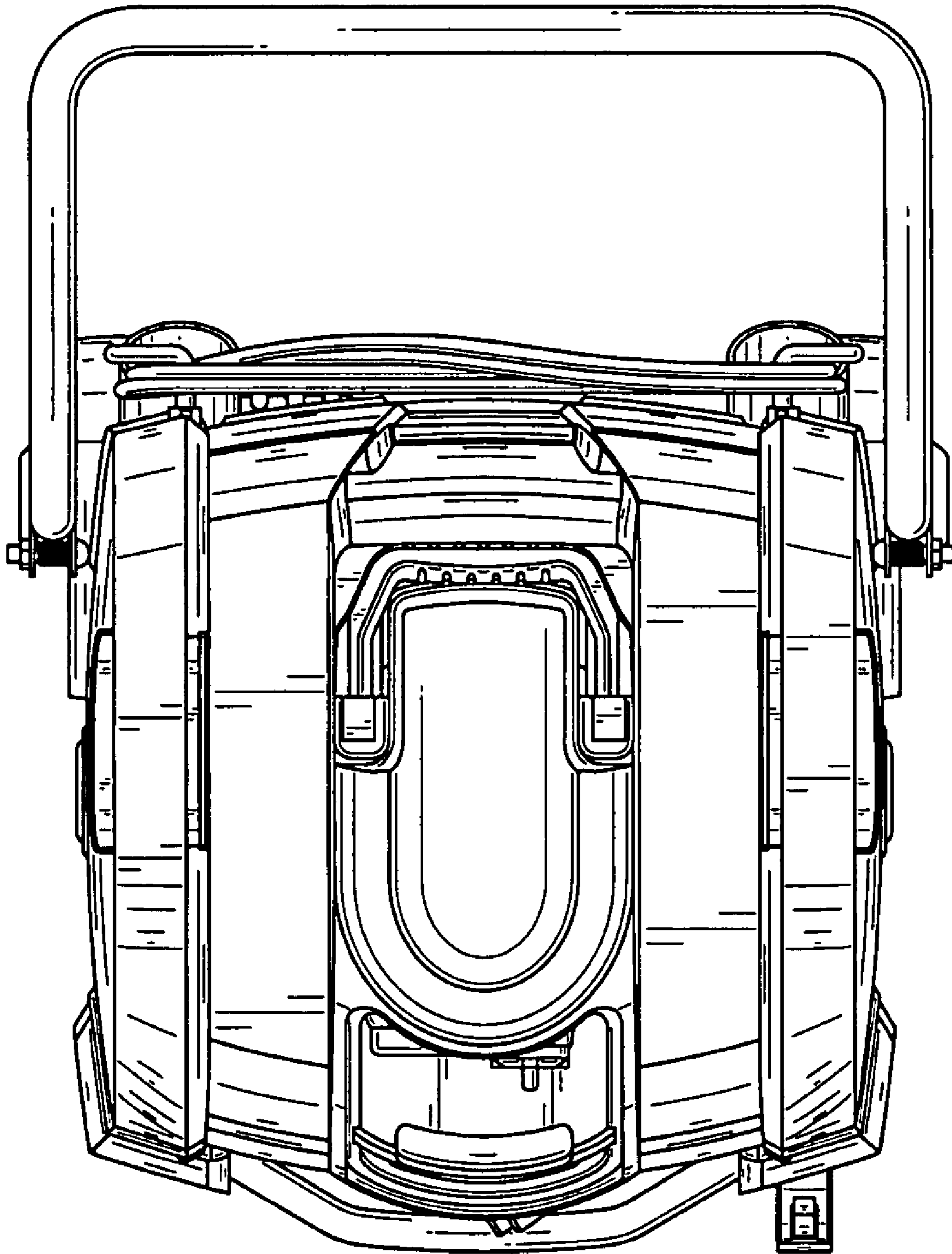


FIG. 6



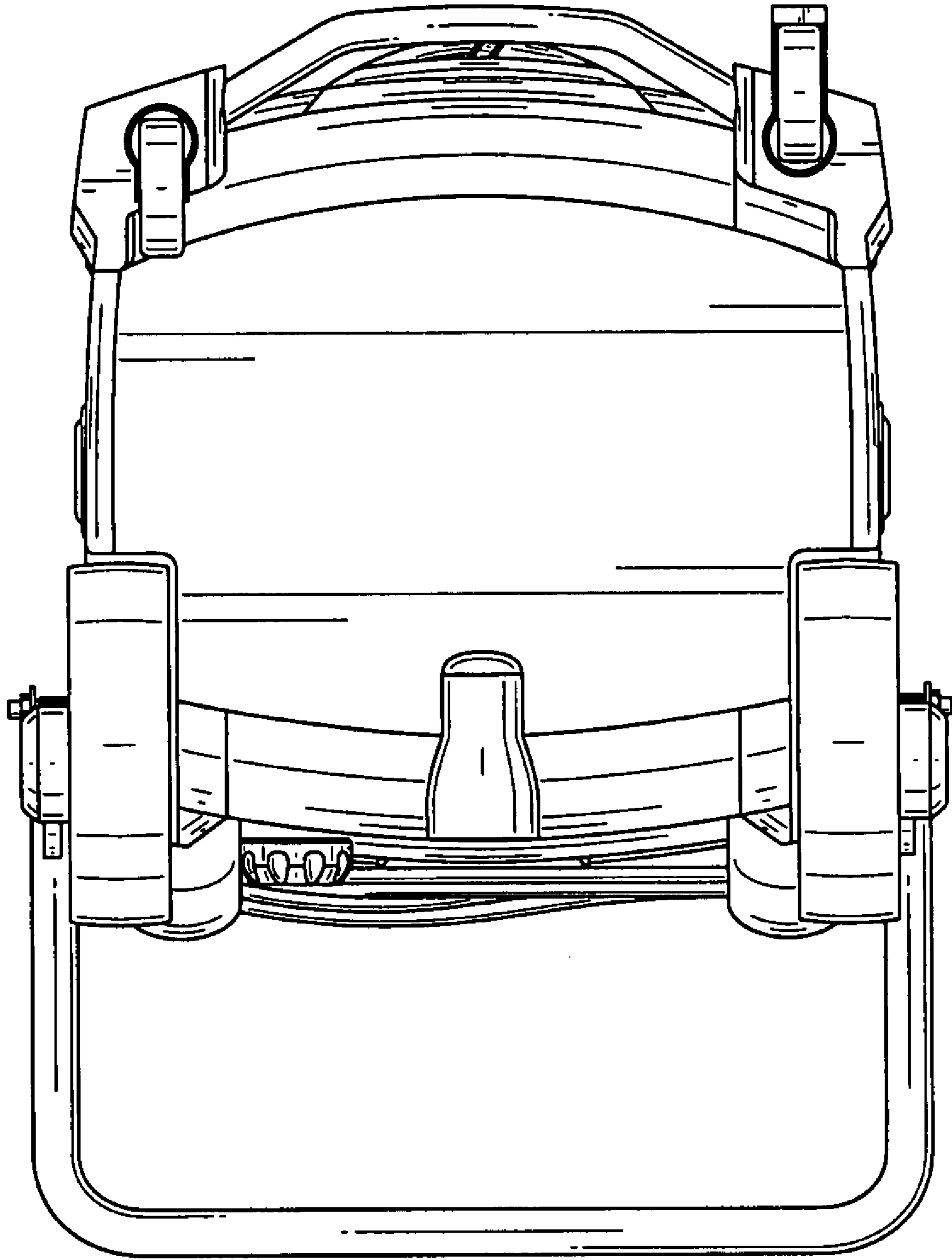


FIG. 7

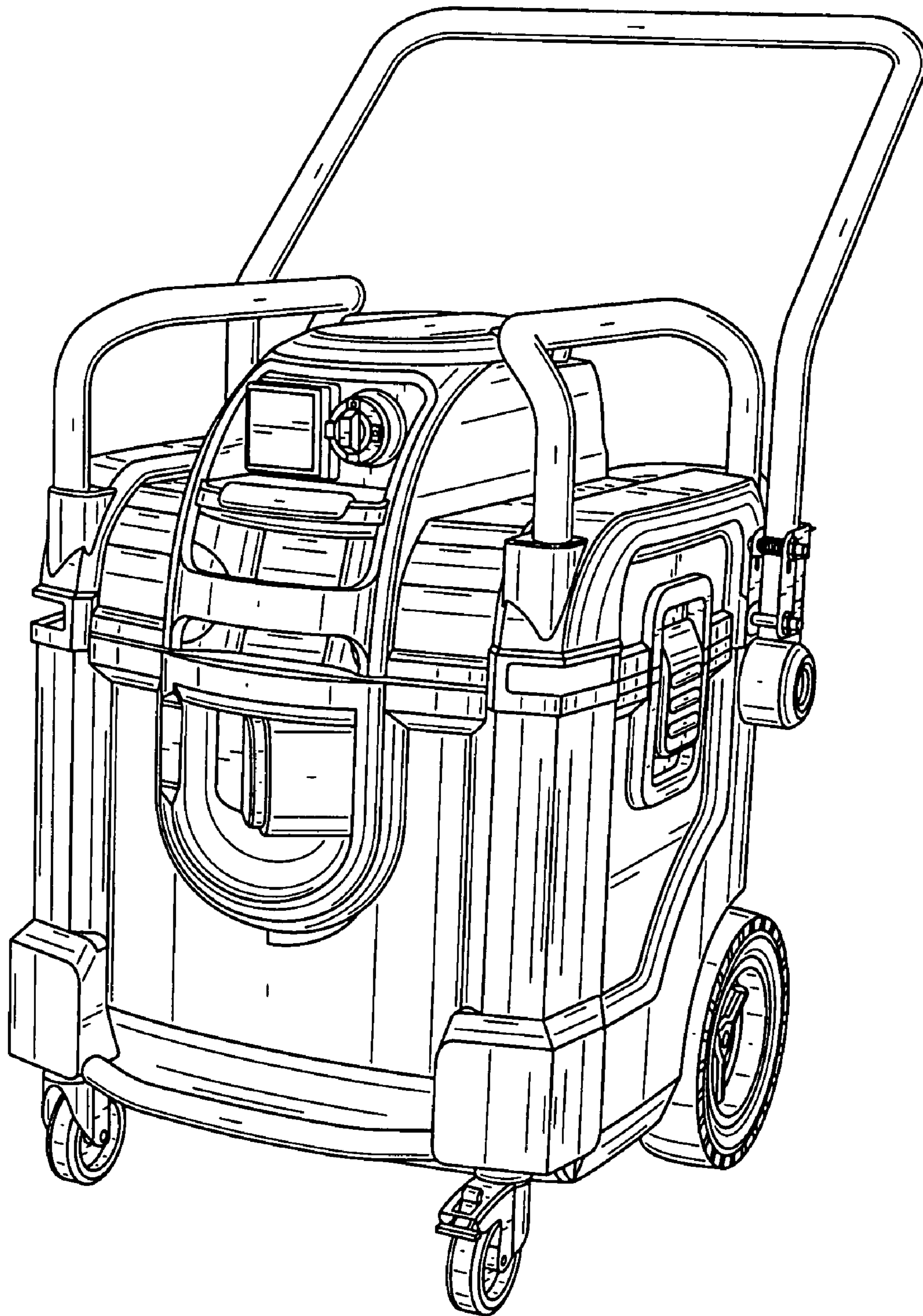


FIG. 8

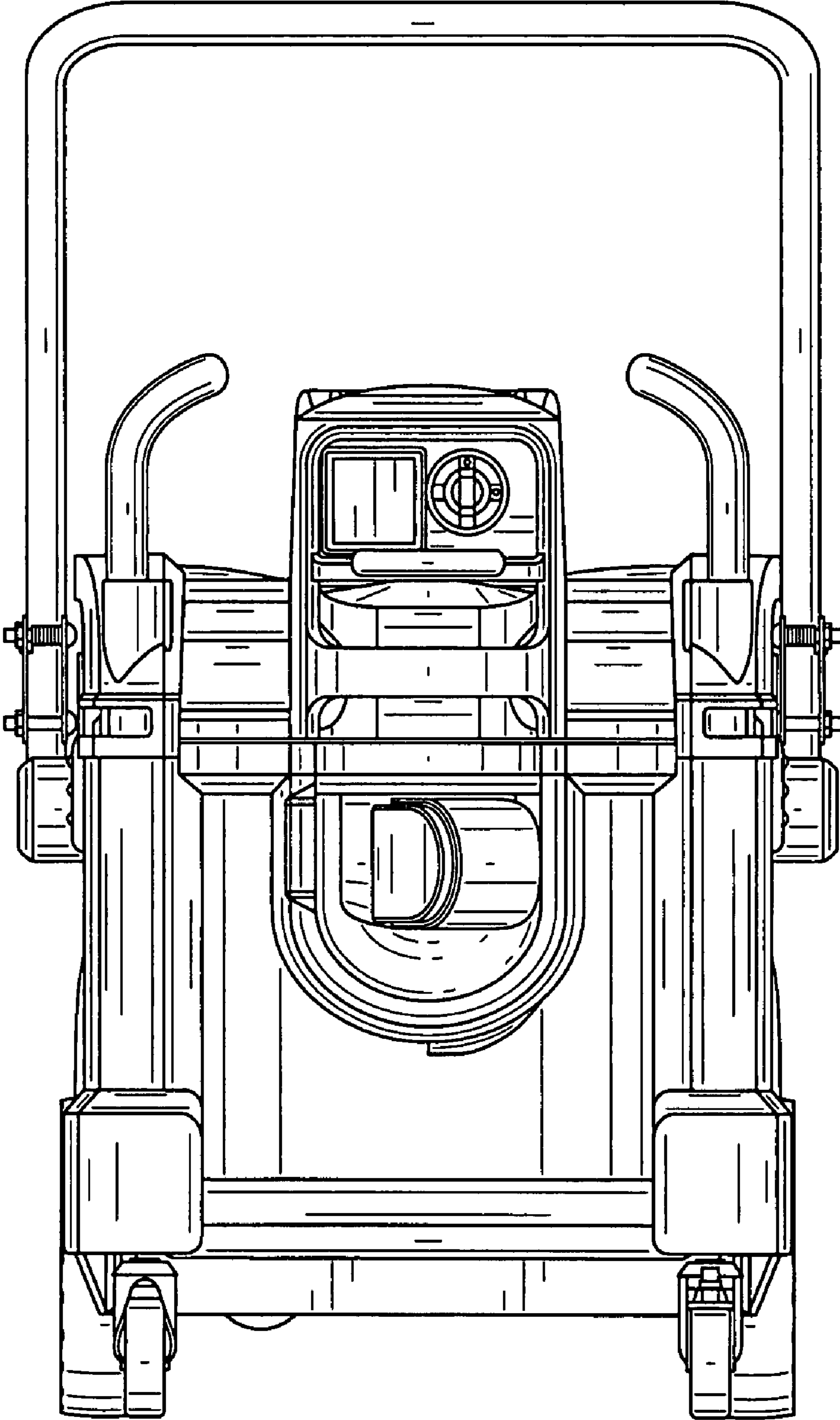


FIG. 9

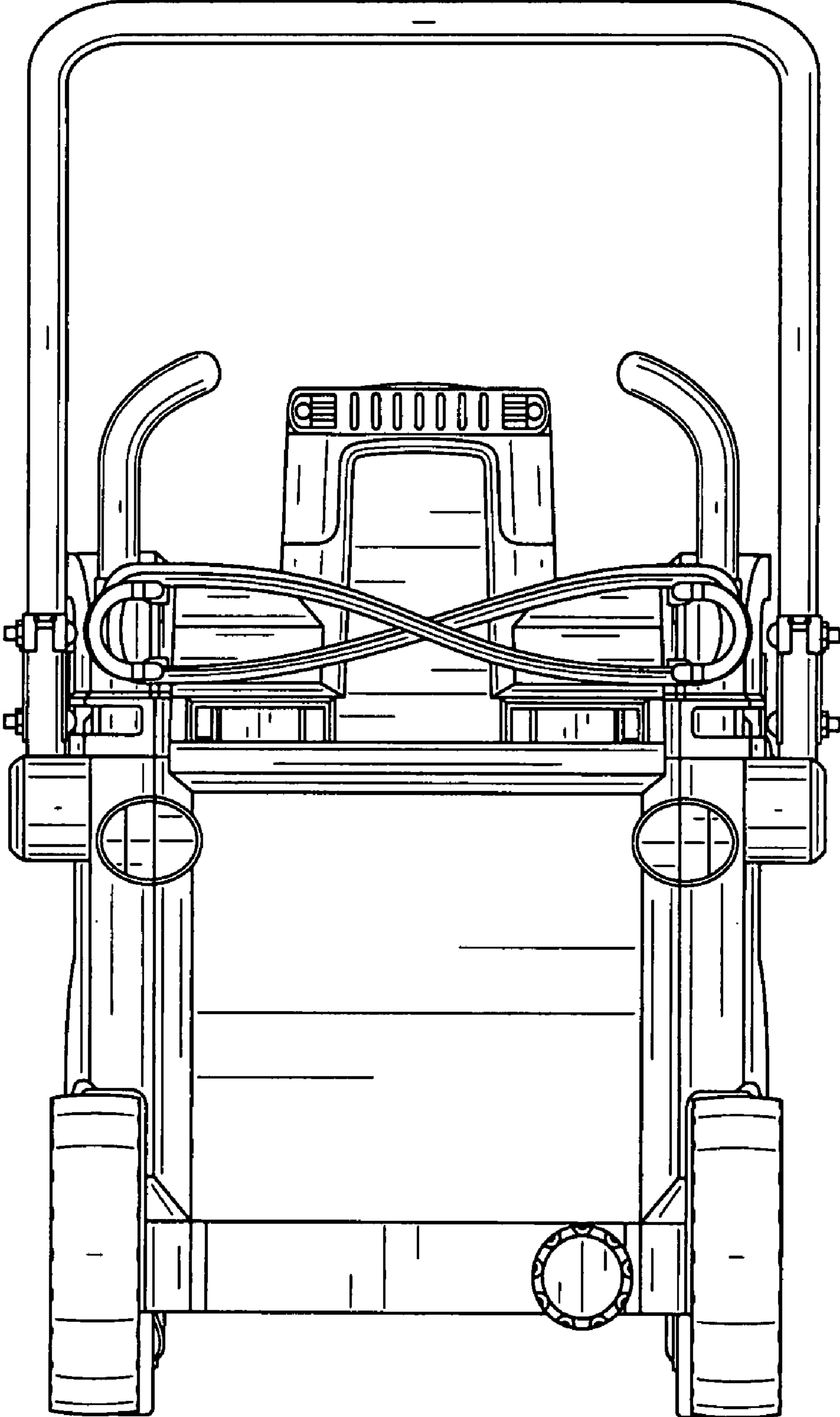


FIG. 10



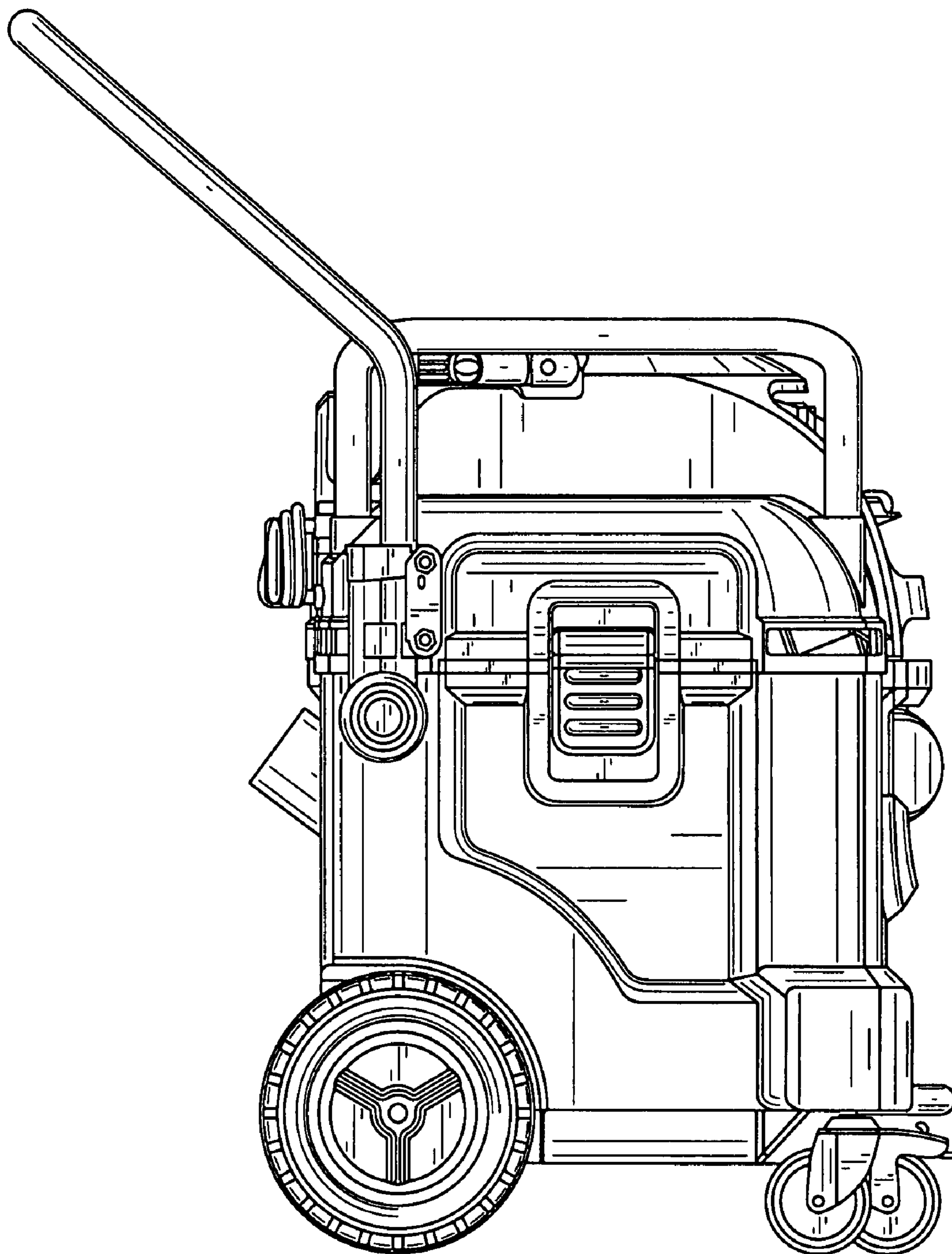


FIG. 11

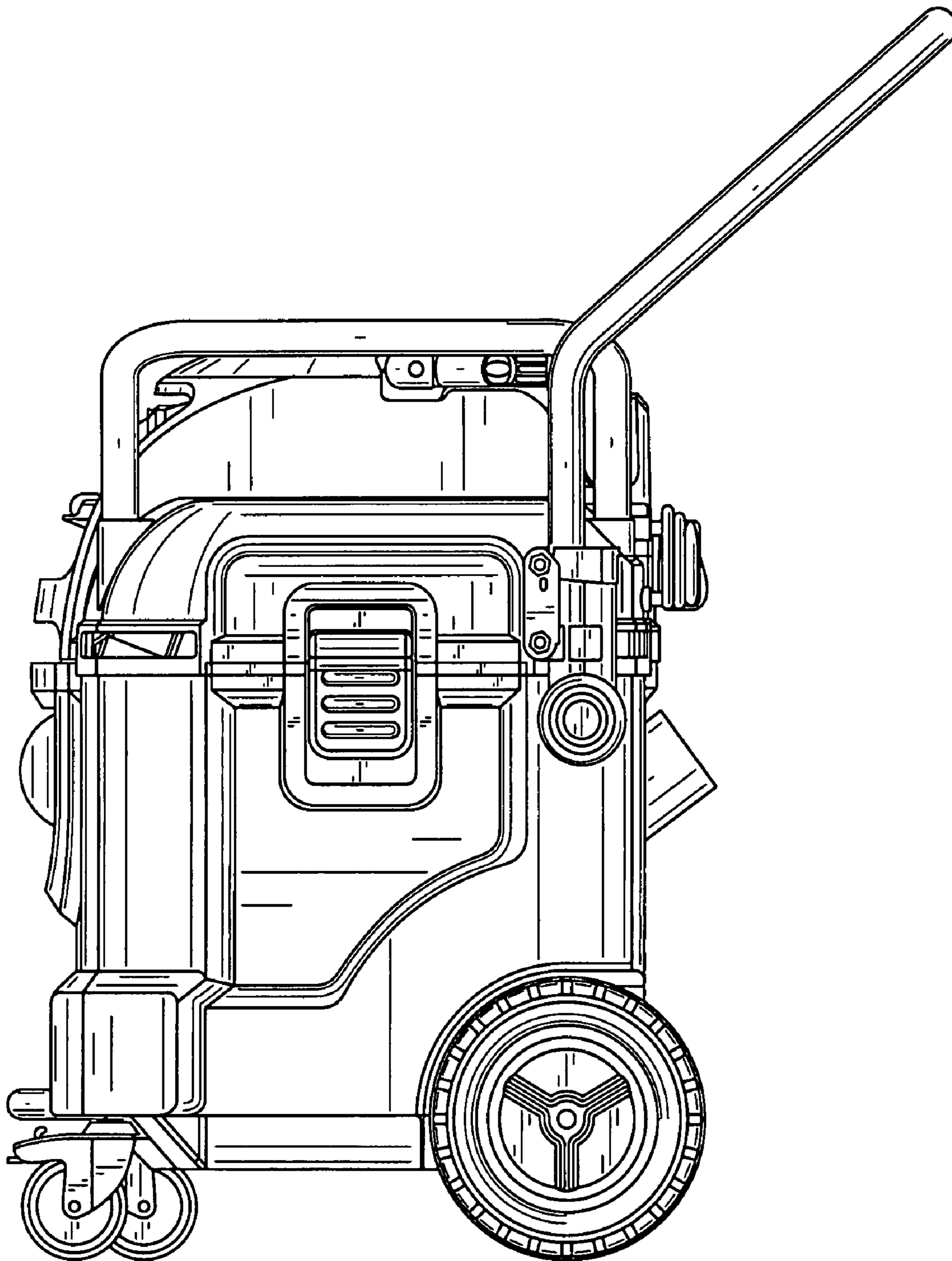


FIG. 12

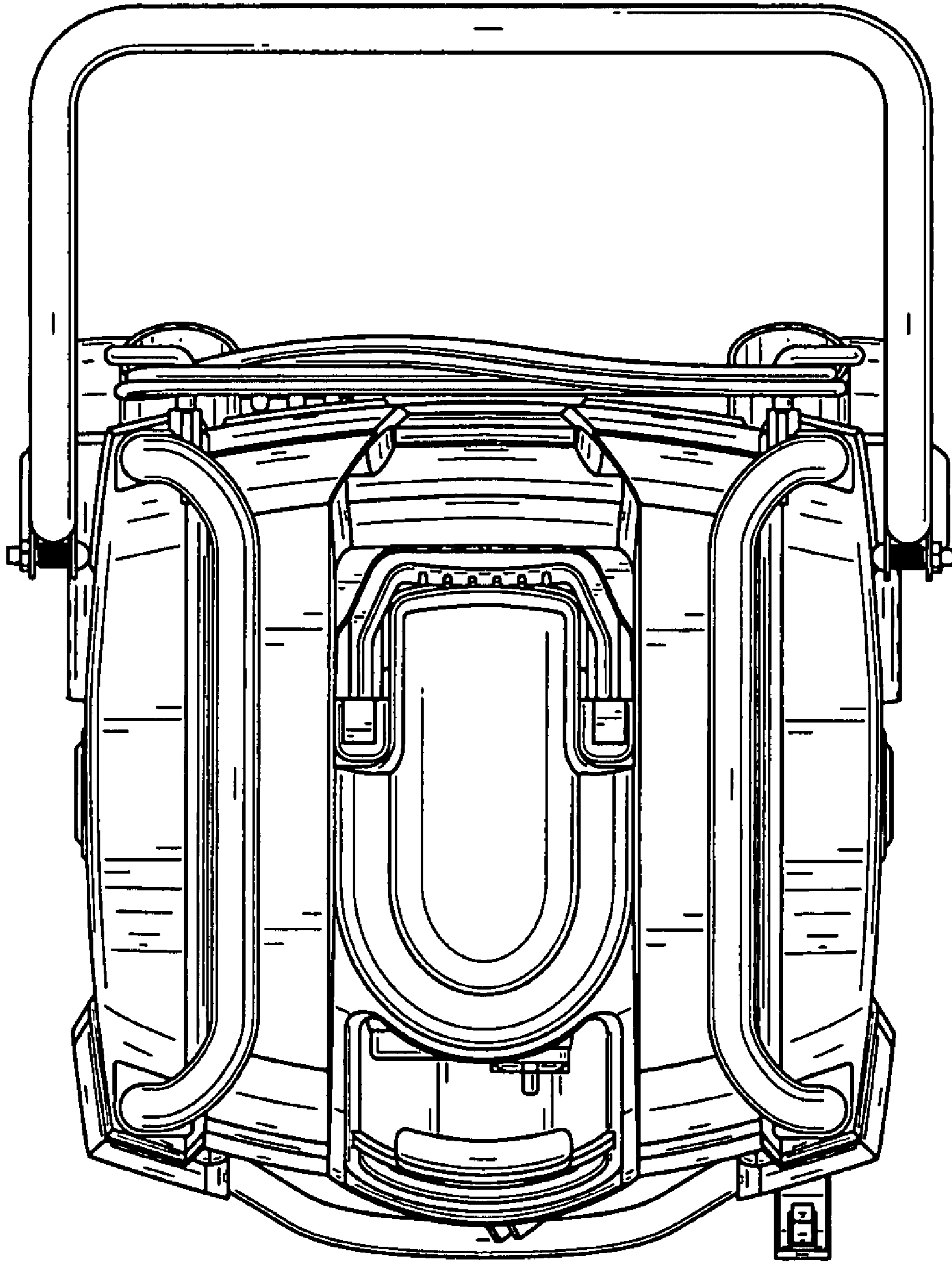


FIG. 13

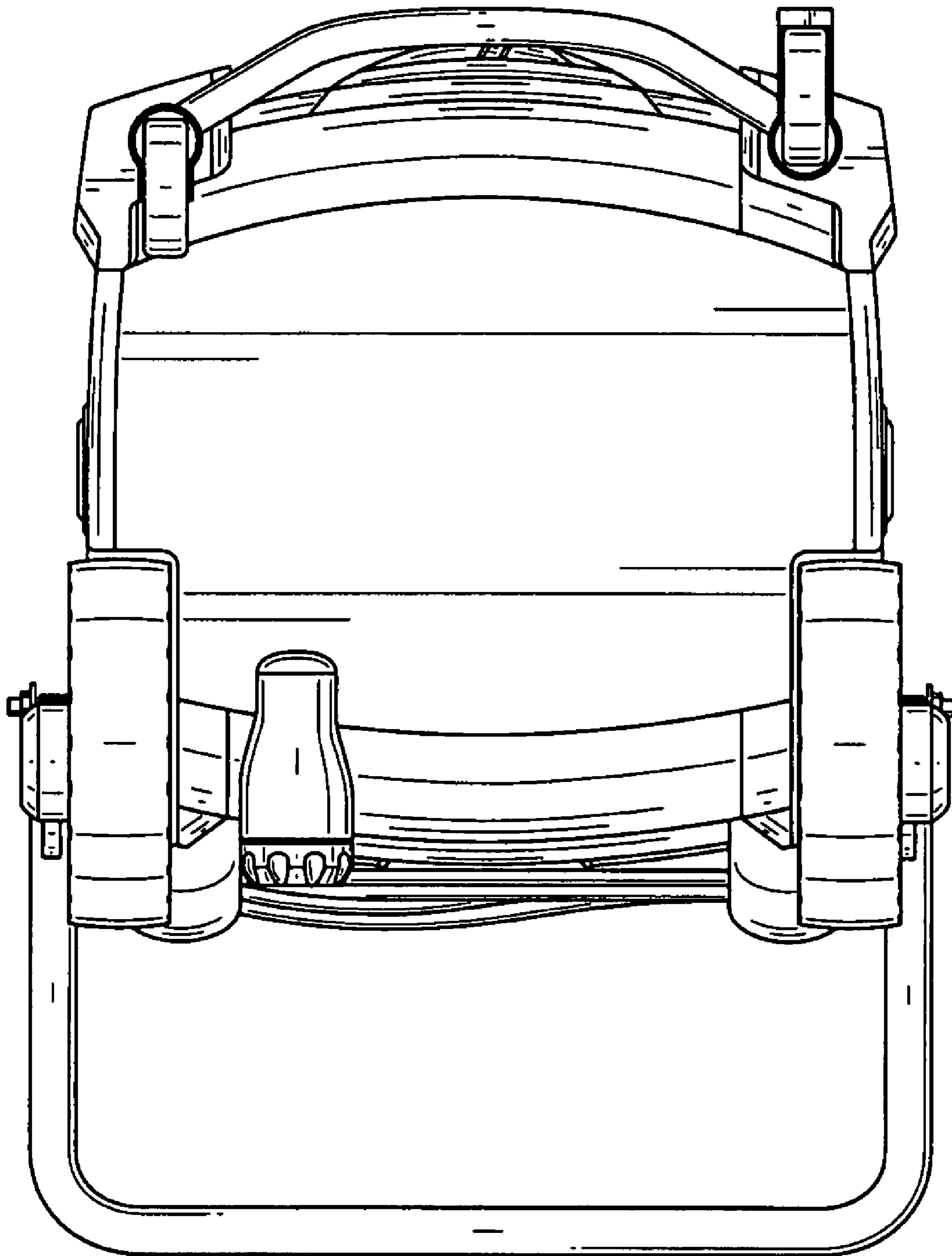


FIG. 14



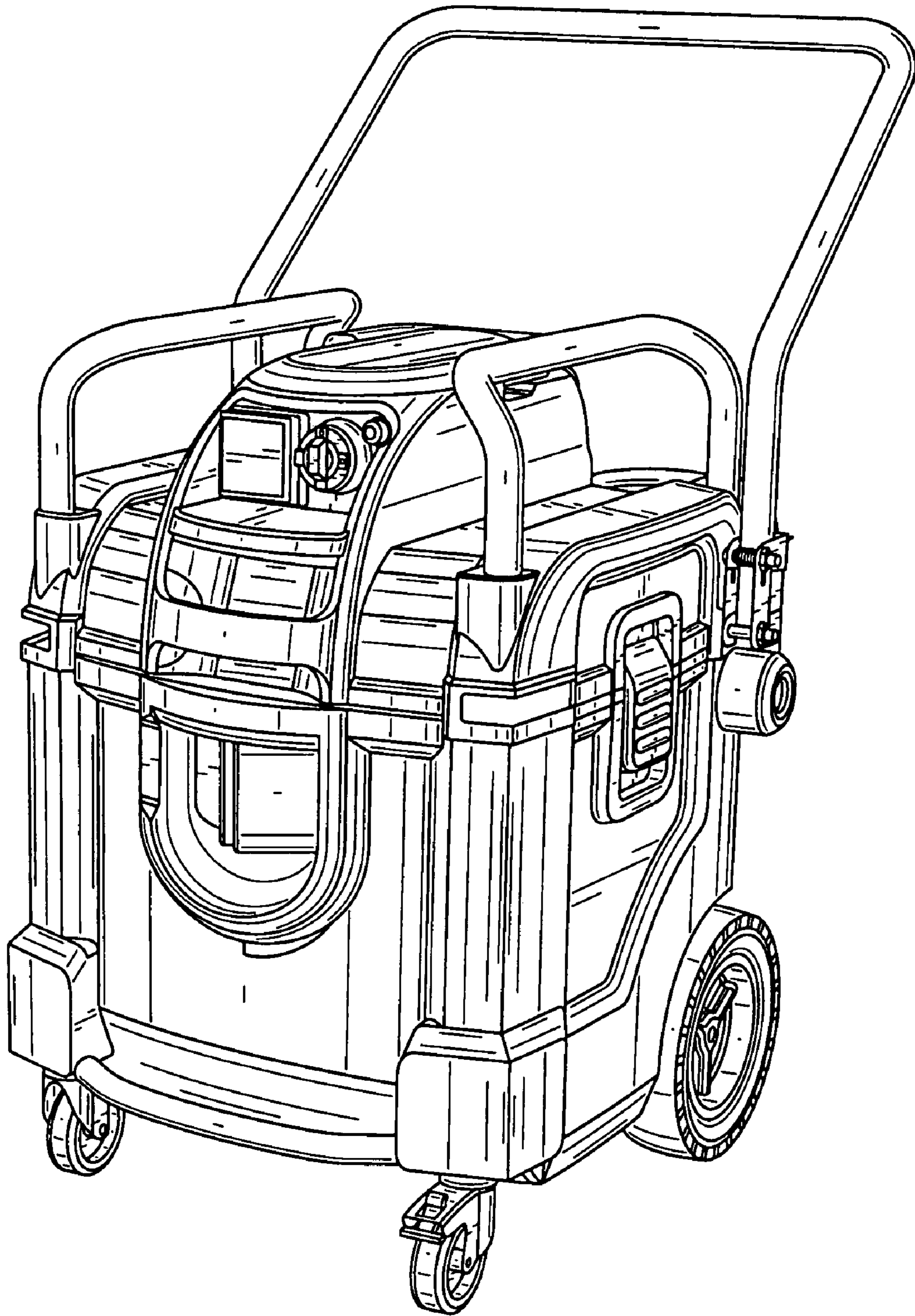


FIG. 15

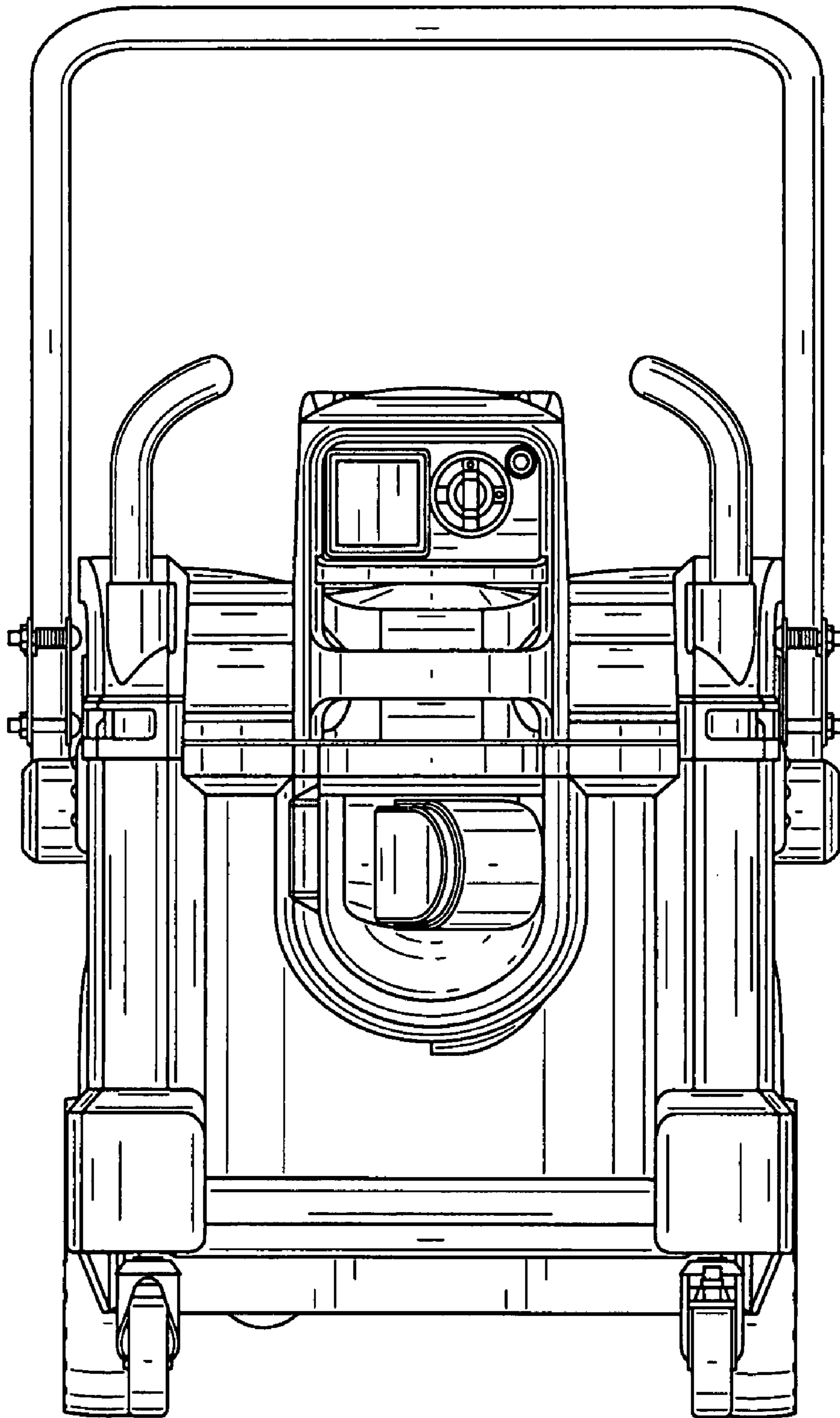


FIG. 16

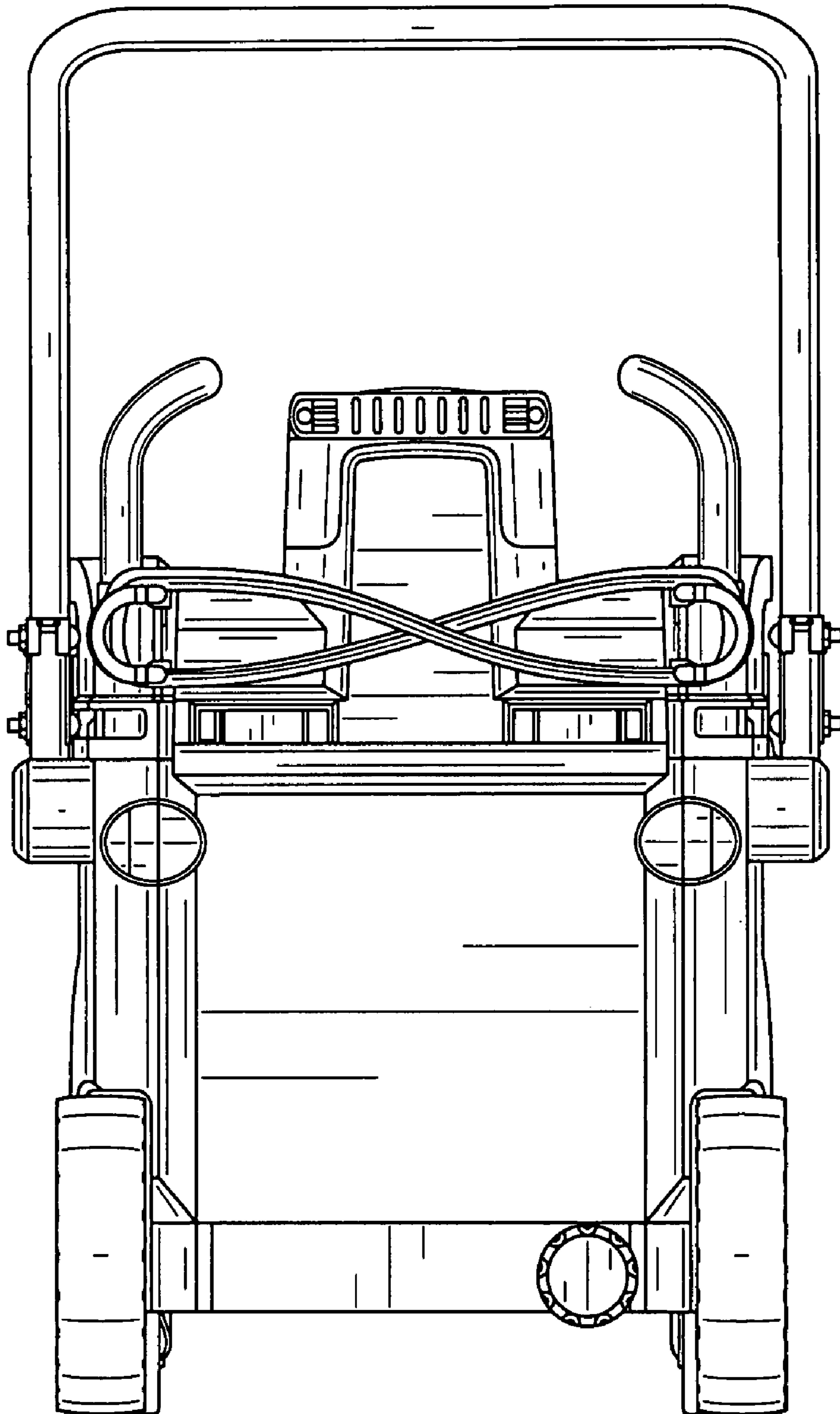


FIG. 17

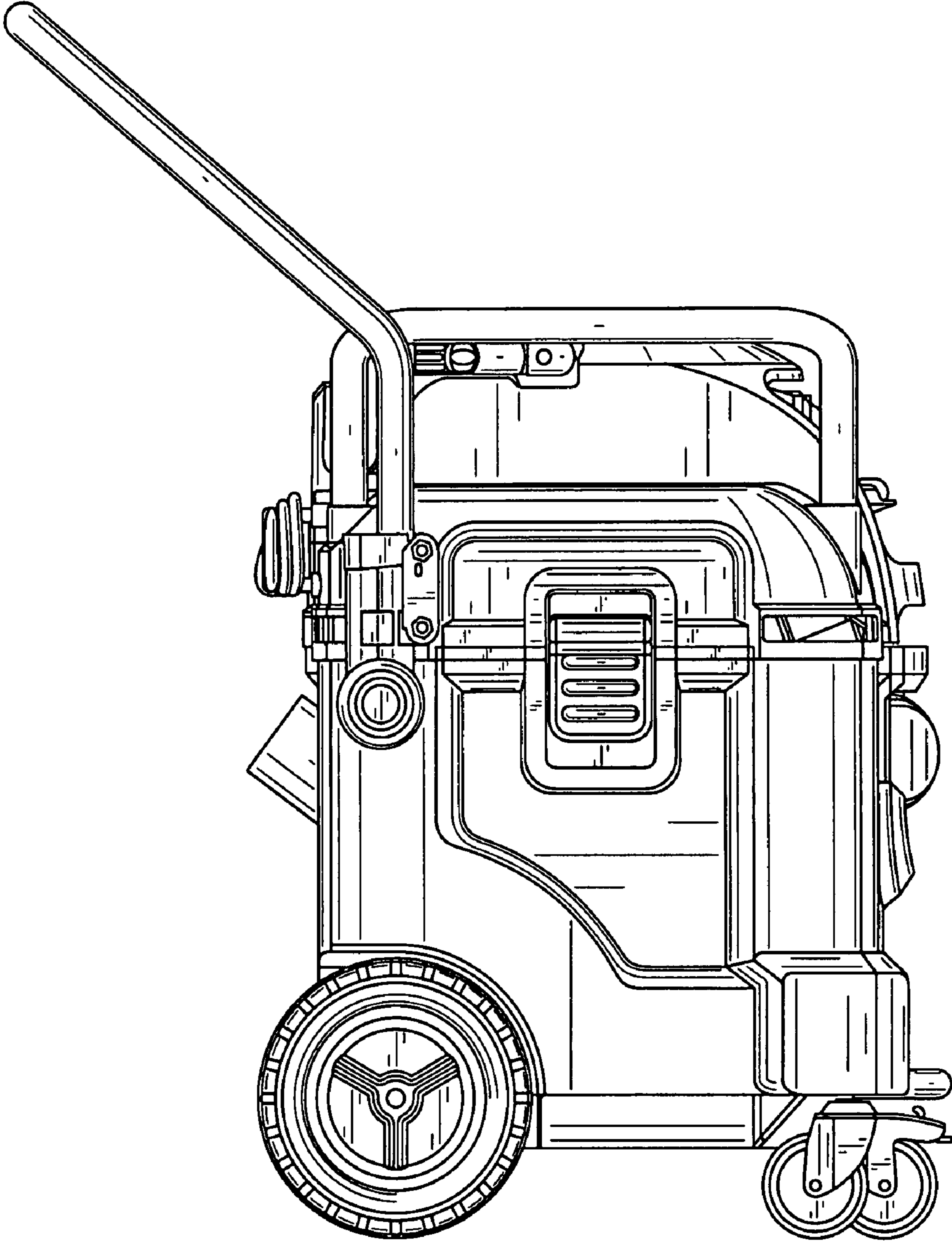


FIG. 18



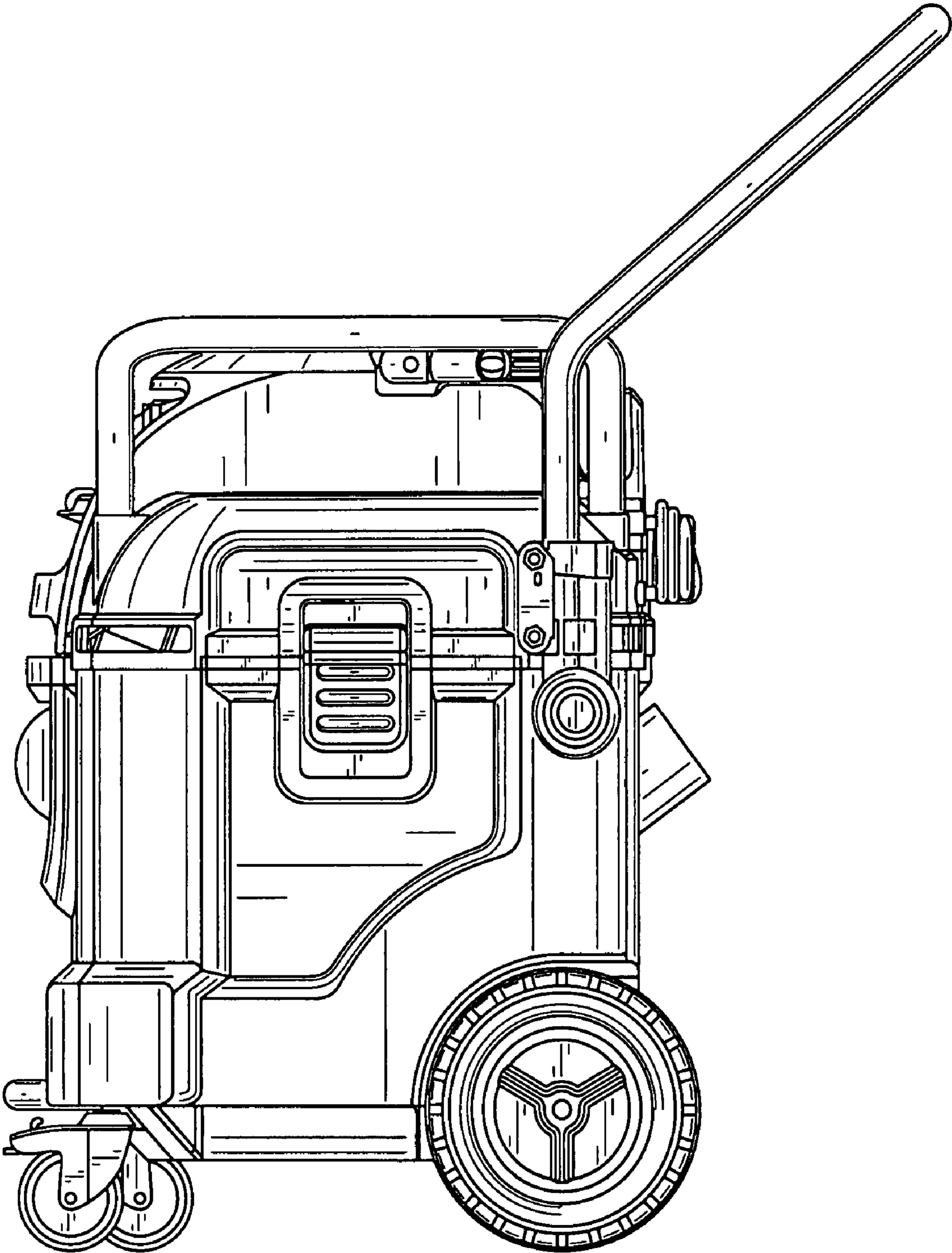


FIG. 19

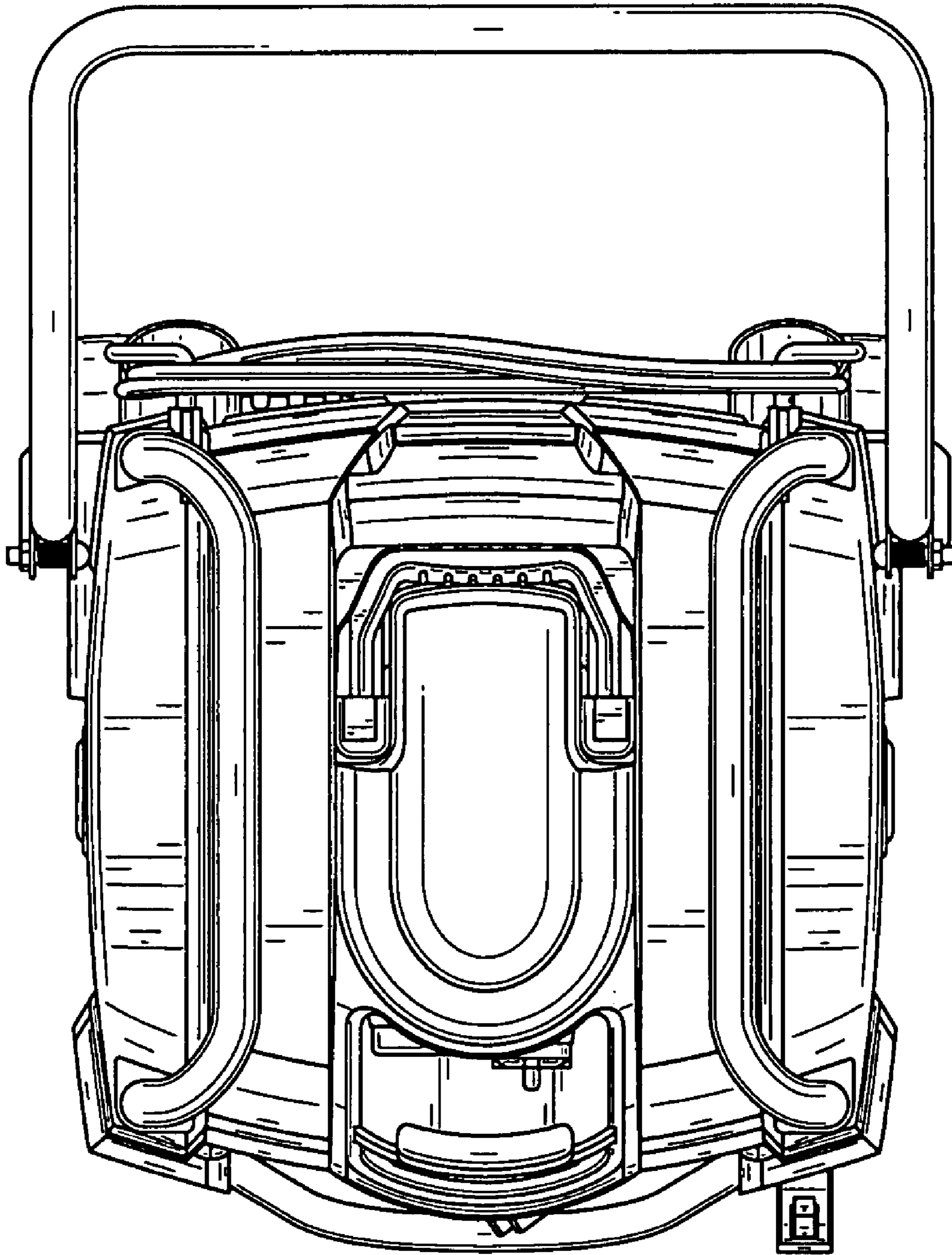


FIG. 20

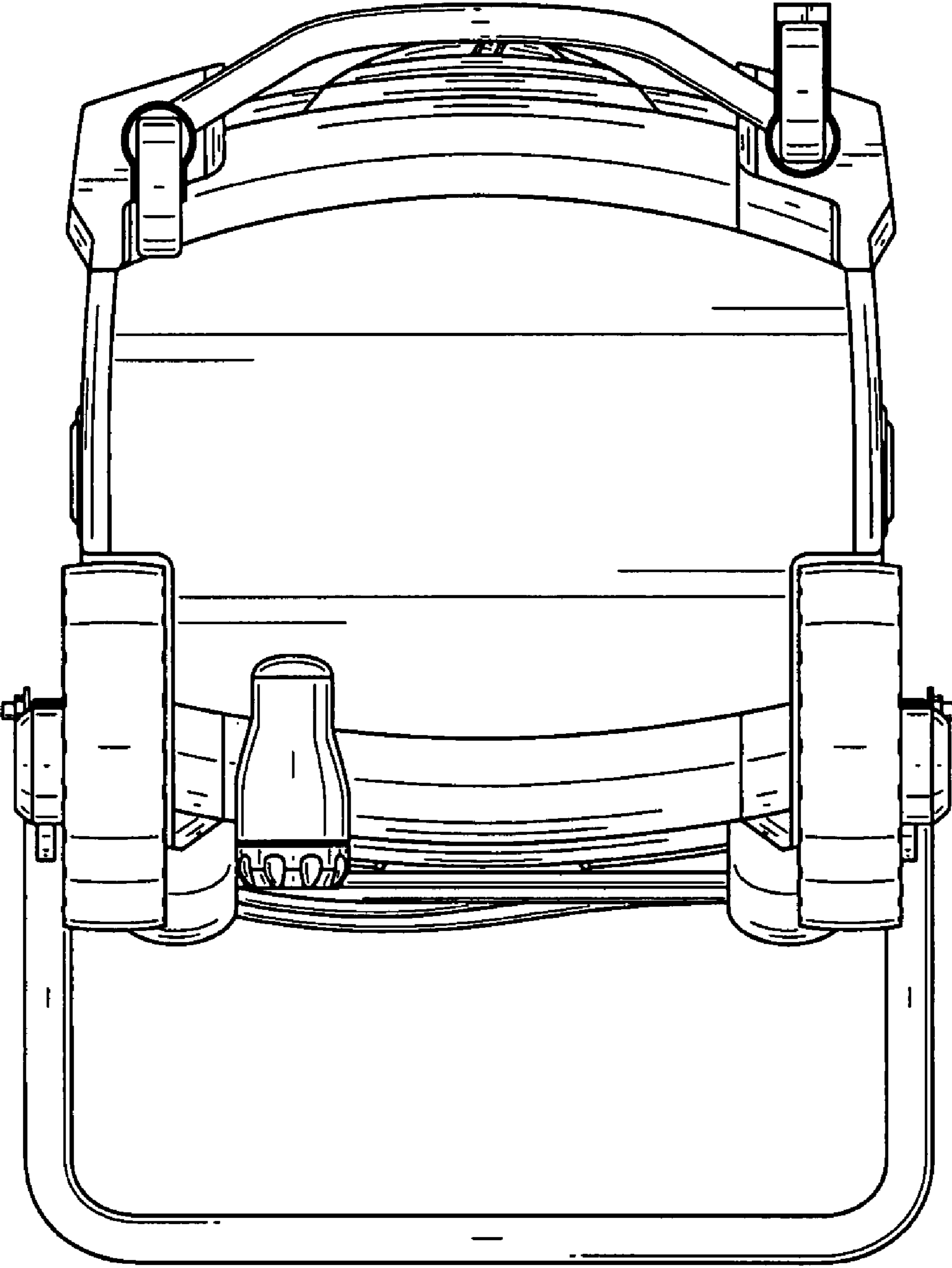


FIG. 21