



US00D581110S

(12) **United States Design Patent**  
**Konno et al.**

(10) **Patent No.:** **US D581,110 S**  
(45) **Date of Patent:** **\*\* Nov. 18, 2008**

(54) **ELECTRIC VACUUM CLEANER BODY**

(75) Inventors: **Kiyooki Konno**, Kadoma (JP); **Hisashi Yoshida**, Kadoma (JP); **Masakazu Umeda**, Kadoma (JP); **Taro Iike**, Kadoma (JP)

(73) Assignee: **Panasonic Corporation**, Osaka (JP)

(\*\*) Term: **14 Years**

(21) Appl. No.: **29/272,018**

(22) Filed: **Jan. 31, 2007**

(51) **LOC (8) Cl.** ..... **15-05**

(52) **U.S. Cl.** ..... **D32/21**

(58) **Field of Classification Search** ..... D32/21-24,  
D32/31, 34, 16; 15/320-321, 323, 327.1-327.7,  
15/329, 335, 340.2, 351, 353, 361, 410-412;  
55/DIG. 3, 345, 337, 459.1

See application file for complete search history.

(56) **References Cited**

**U.S. PATENT DOCUMENTS**

D382,679 S *	8/1997	Dyson	.....	D32/21
D417,323 S	11/1999	Fujita et al.		
D430,366 S	8/2000	Sato et al.		
D432,746 S	10/2000	Frey		
D443,119 S	5/2001	Sung		
D445,226 S	7/2001	Jupp		
D446,363 S	8/2001	Sato et al.		
D448,128 S	9/2001	Oh		
D451,252 S	11/2001	Ikeno et al.		
D455,529 S	4/2002	Wu		
D476,783 S	7/2003	Kondo et al.		
D477,443 S *	7/2003	Kondo et al.	.....	D32/21
D491,703 S	6/2004	Harada		
D495,455 S *	8/2004	Brown et al.	.....	D32/21

D498,886 S *	11/2004	Fujii	.....	D32/21
D508,152 S *	8/2005	Konno	.....	D32/21
D530,467 S *	10/2006	Tokunaga	.....	D32/21
D530,469 S *	10/2006	Ikeno	.....	D32/21
D563,614 S *	3/2008	Crevling et al.	.....	D32/21

**FOREIGN PATENT DOCUMENTS**

CN	3151910D	6/2000
CN	3320855D	9/2003
JP	D1186233	9/2003
JP	D1222853	11/2004
JP	D1227100	1/2005
JP	D1249344	8/2005
JP	D1262546	2/2006

\* cited by examiner

*Primary Examiner*—Ruth McInroy

(74) *Attorney, Agent, or Firm*—Brinks Hofer Gilson & Lione

(57) **CLAIM**

We claim the ornamental design for an electric vacuum cleaner body, as shown and described.

**DESCRIPTION**

FIG. 1 is a top perspective view of an electric vacuum cleaner body of the present invention;

FIG. 2 is a front view thereof;

FIG. 3 is a top view thereof;

FIG. 4 is a first side view thereof;

FIG. 5 is a second side view thereof;

FIG. 6 is a rear view thereof;

FIG. 7 is a bottom view thereof; and,

FIG. 8 is a rear perspective view thereof.

**1 Claim, 4 Drawing Sheets**

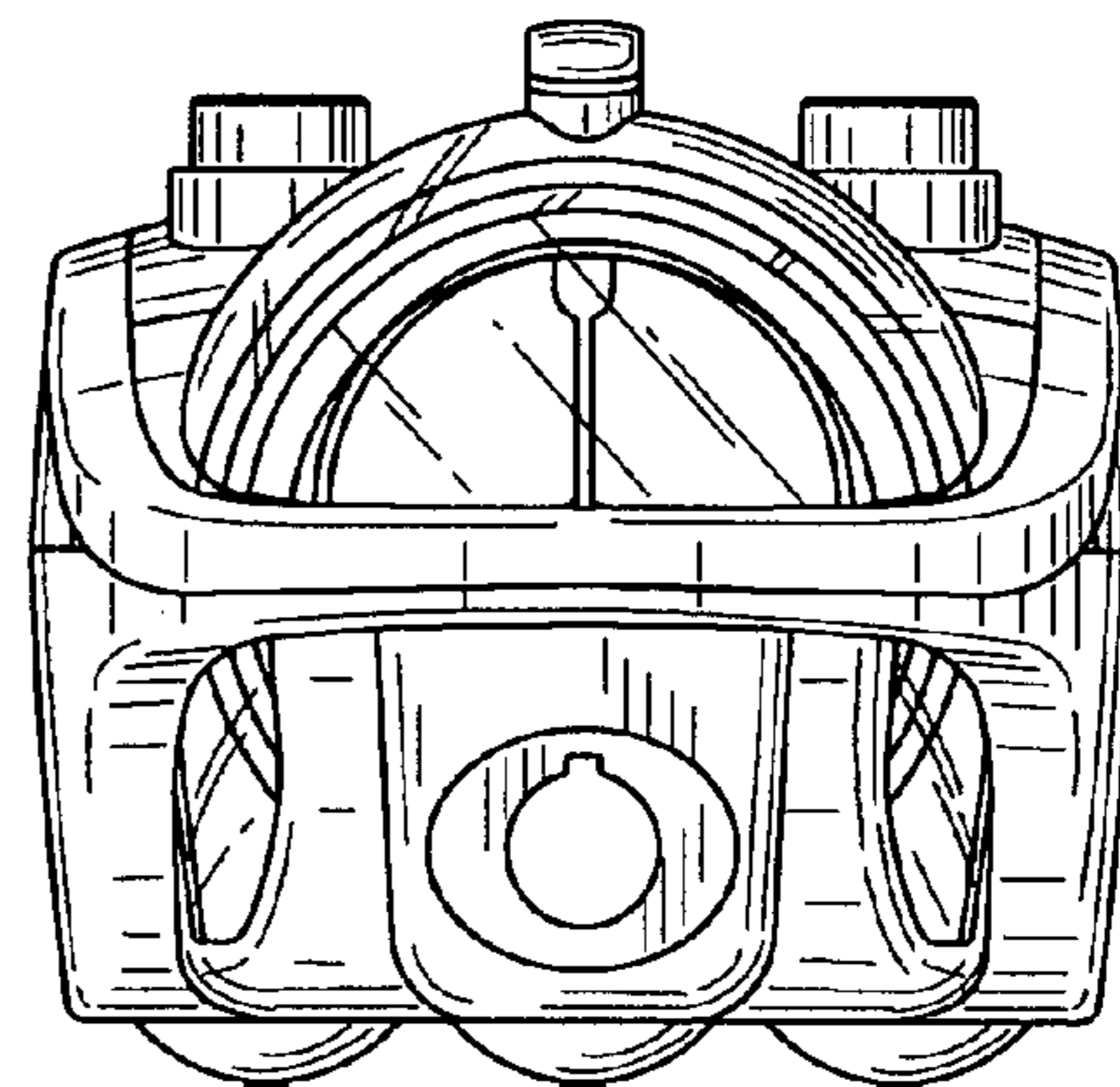
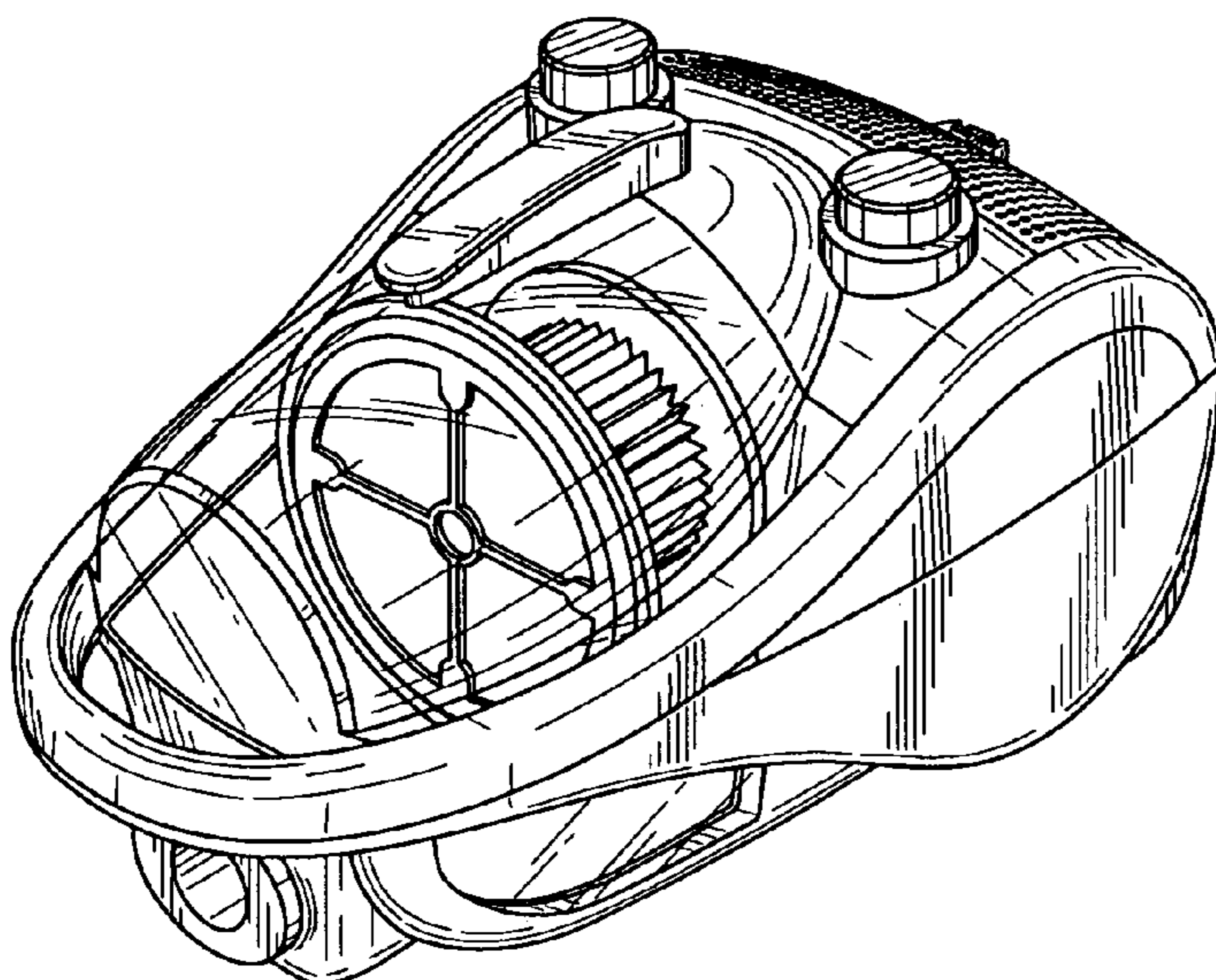


FIG. 1

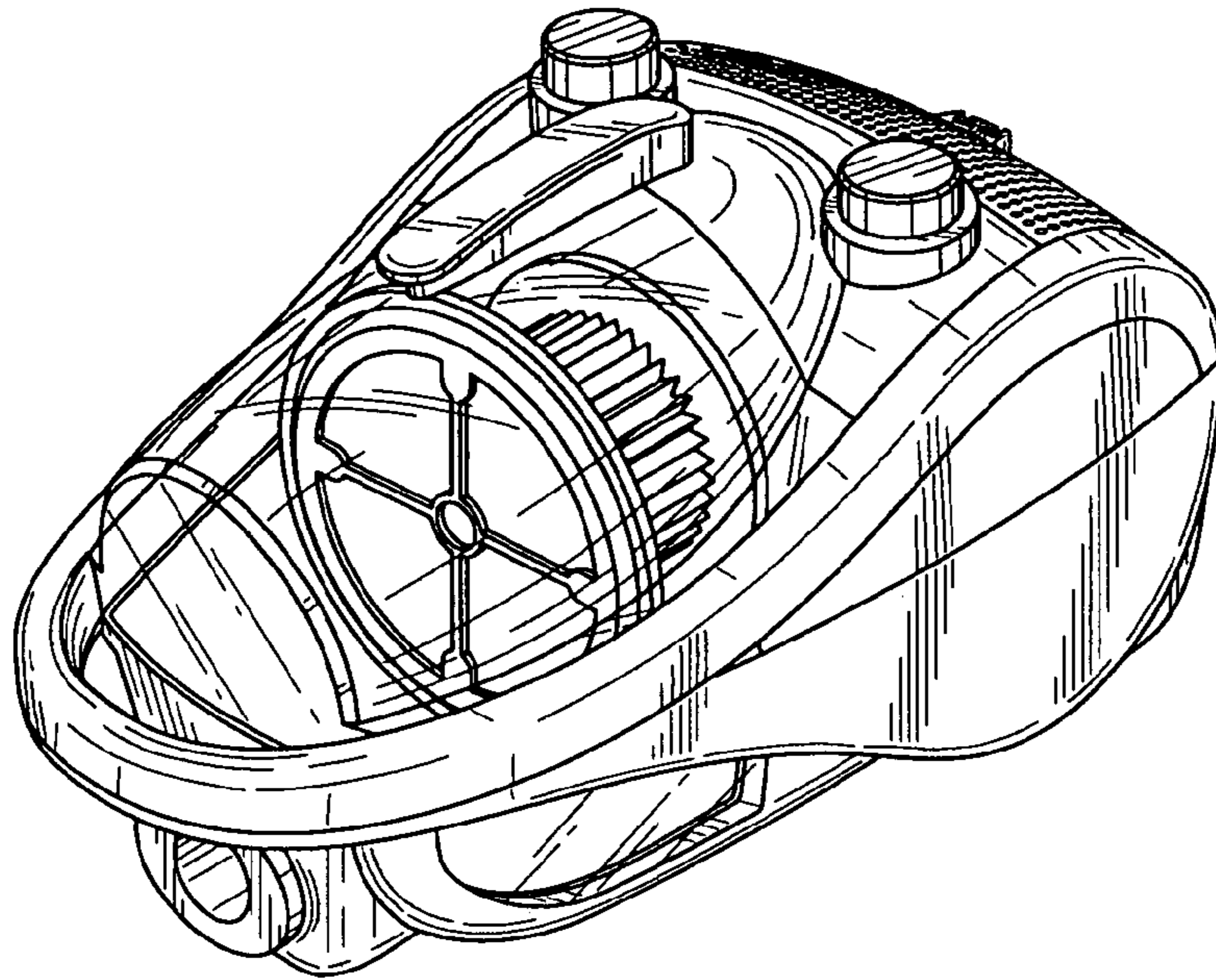


FIG. 2

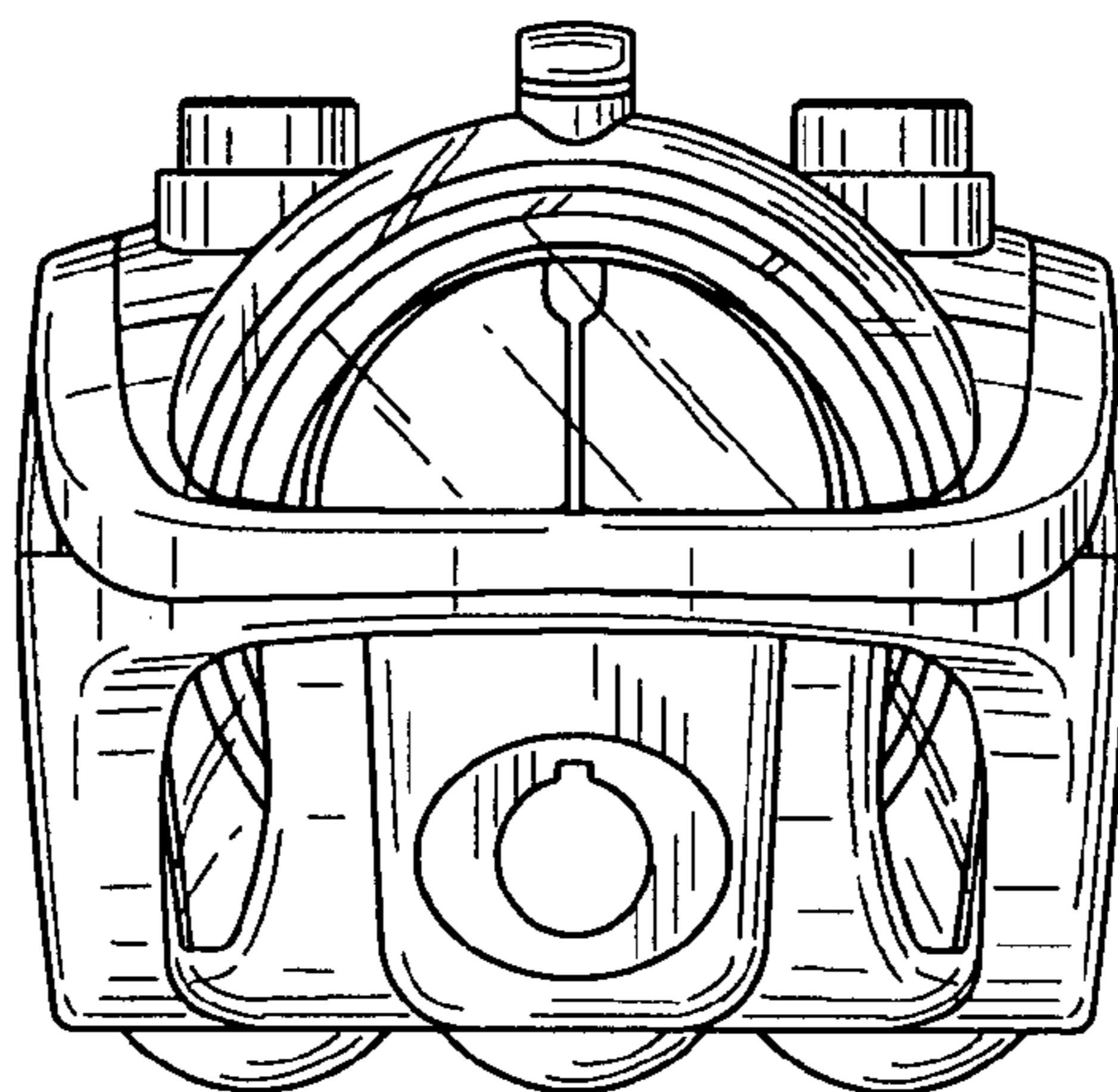


FIG.3

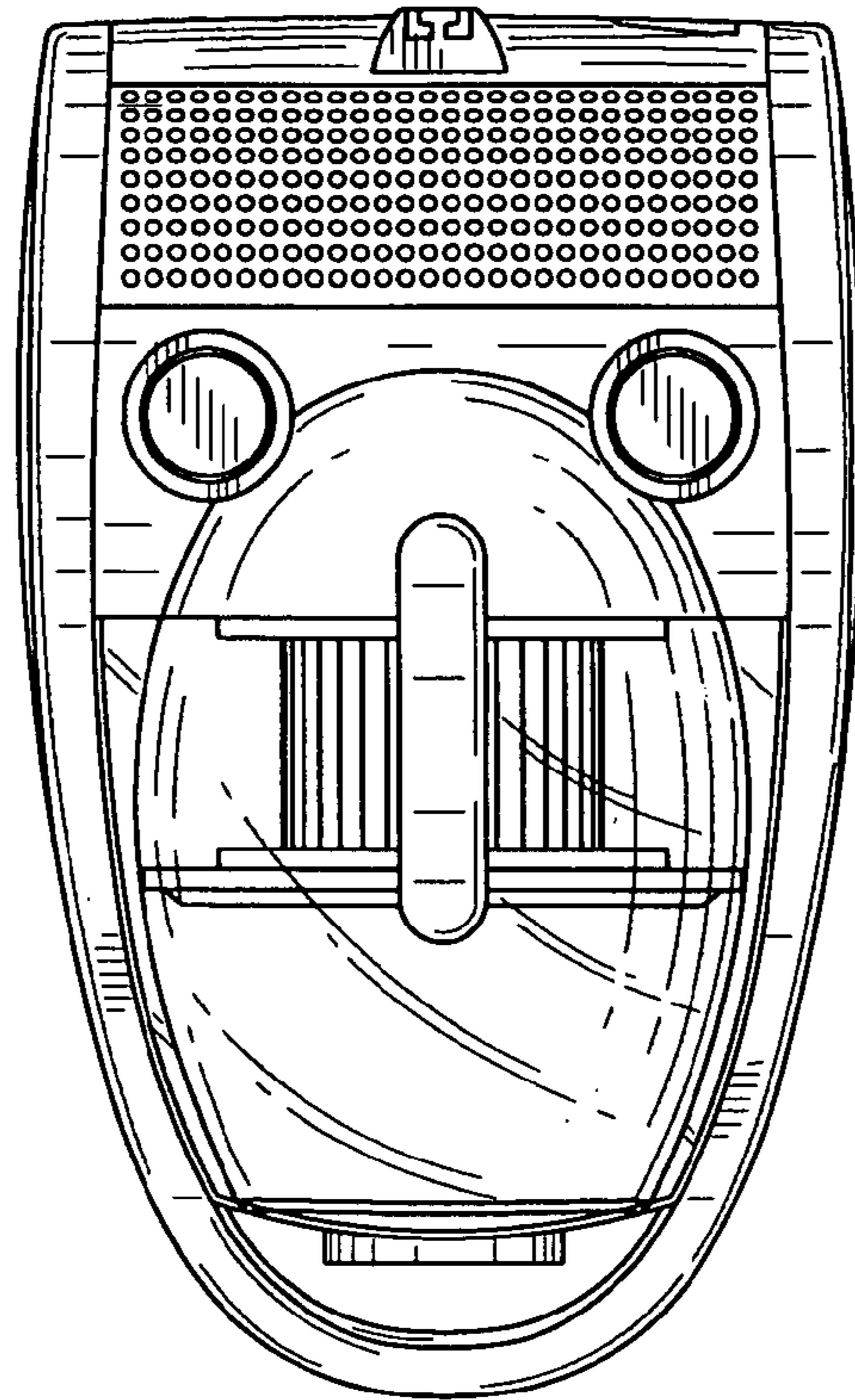


FIG.4

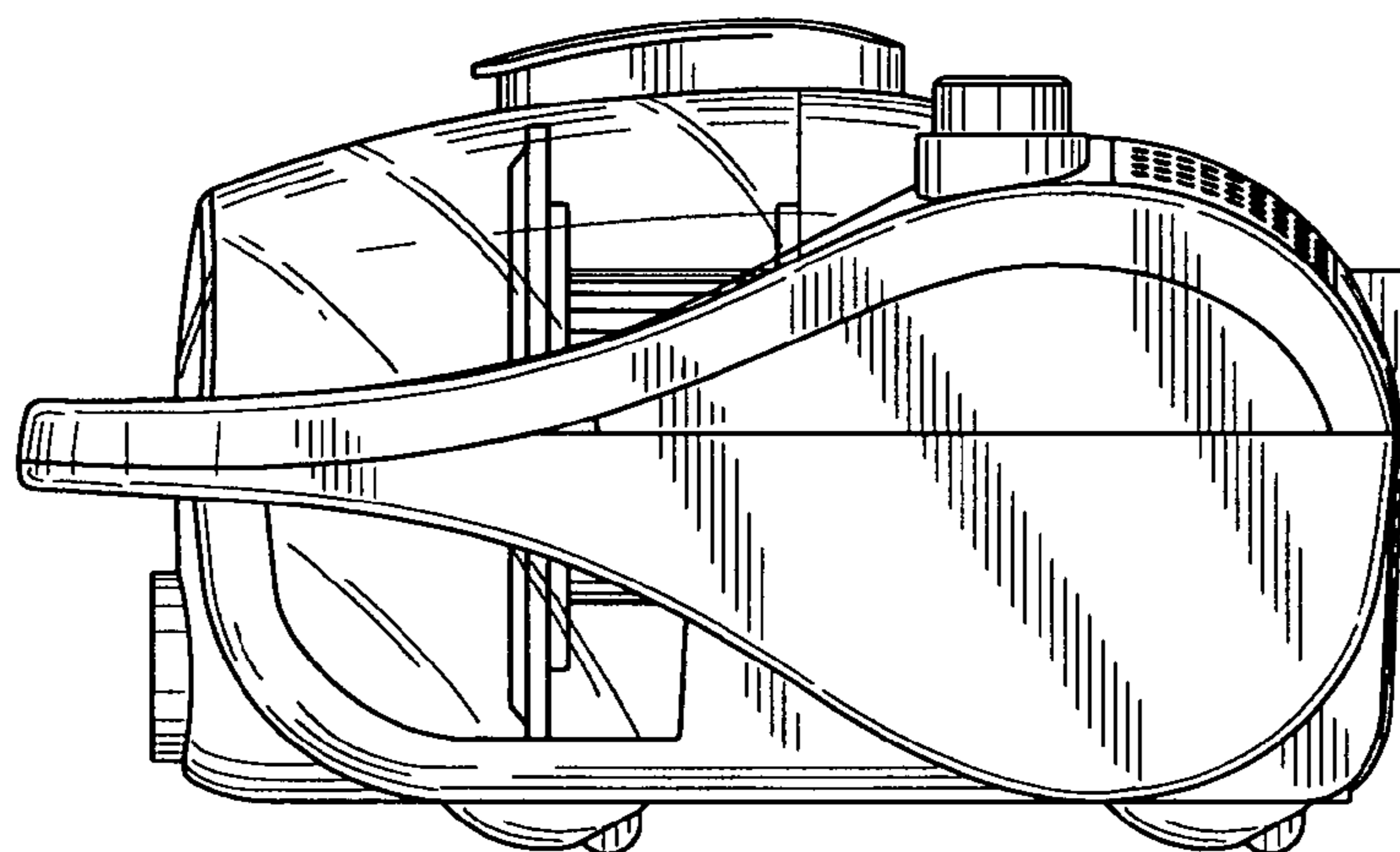


FIG.5

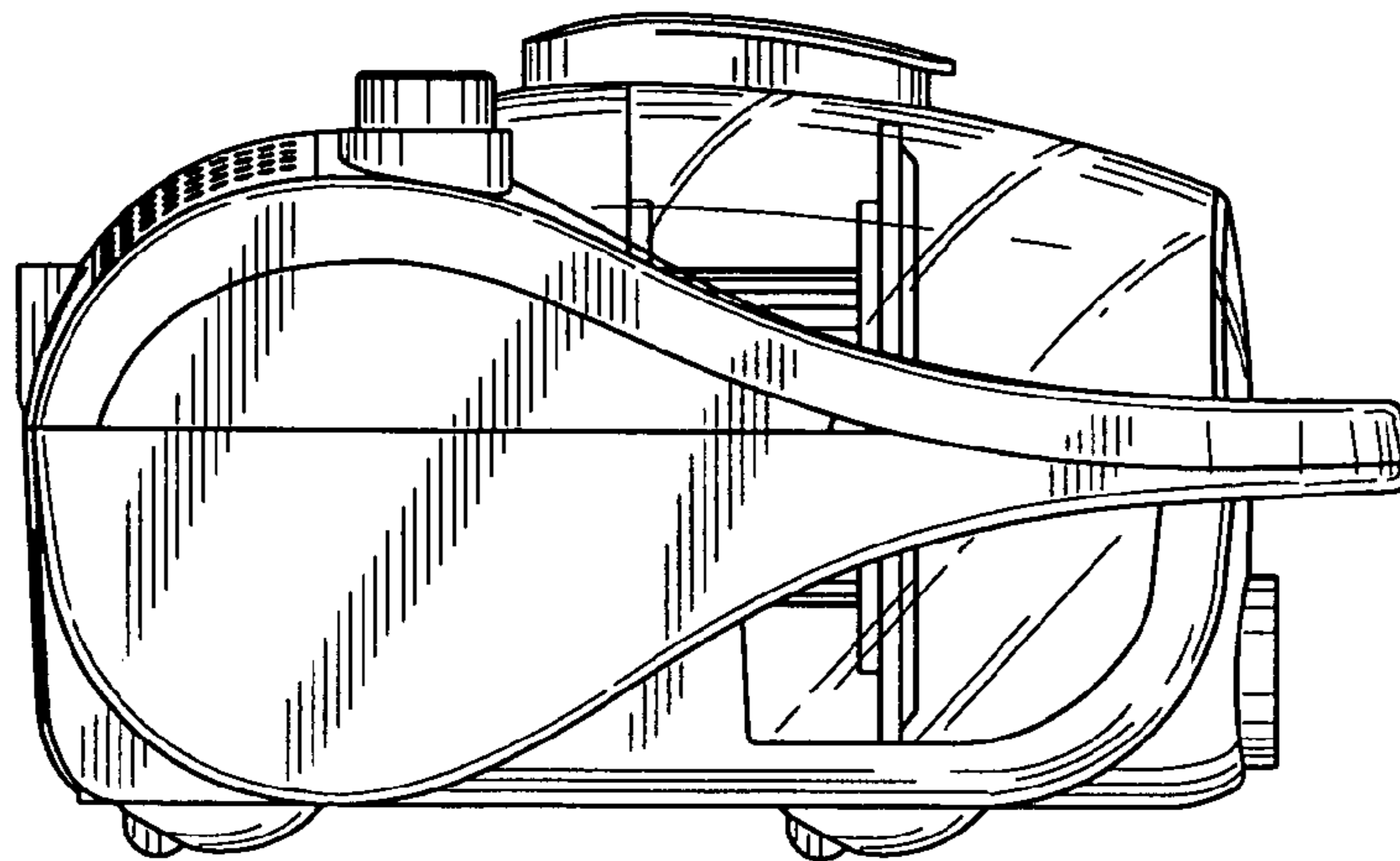


FIG.6

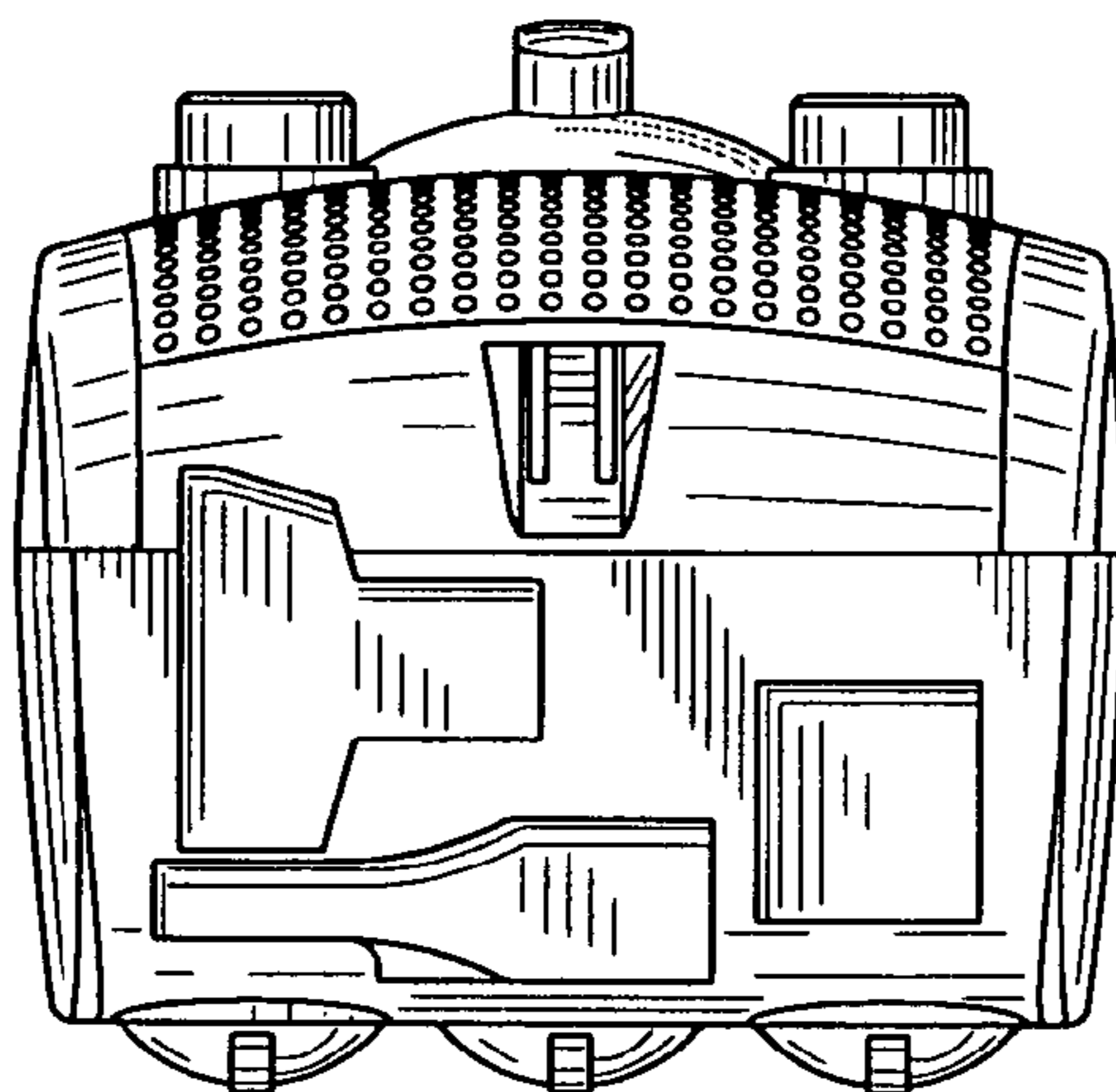


FIG.7

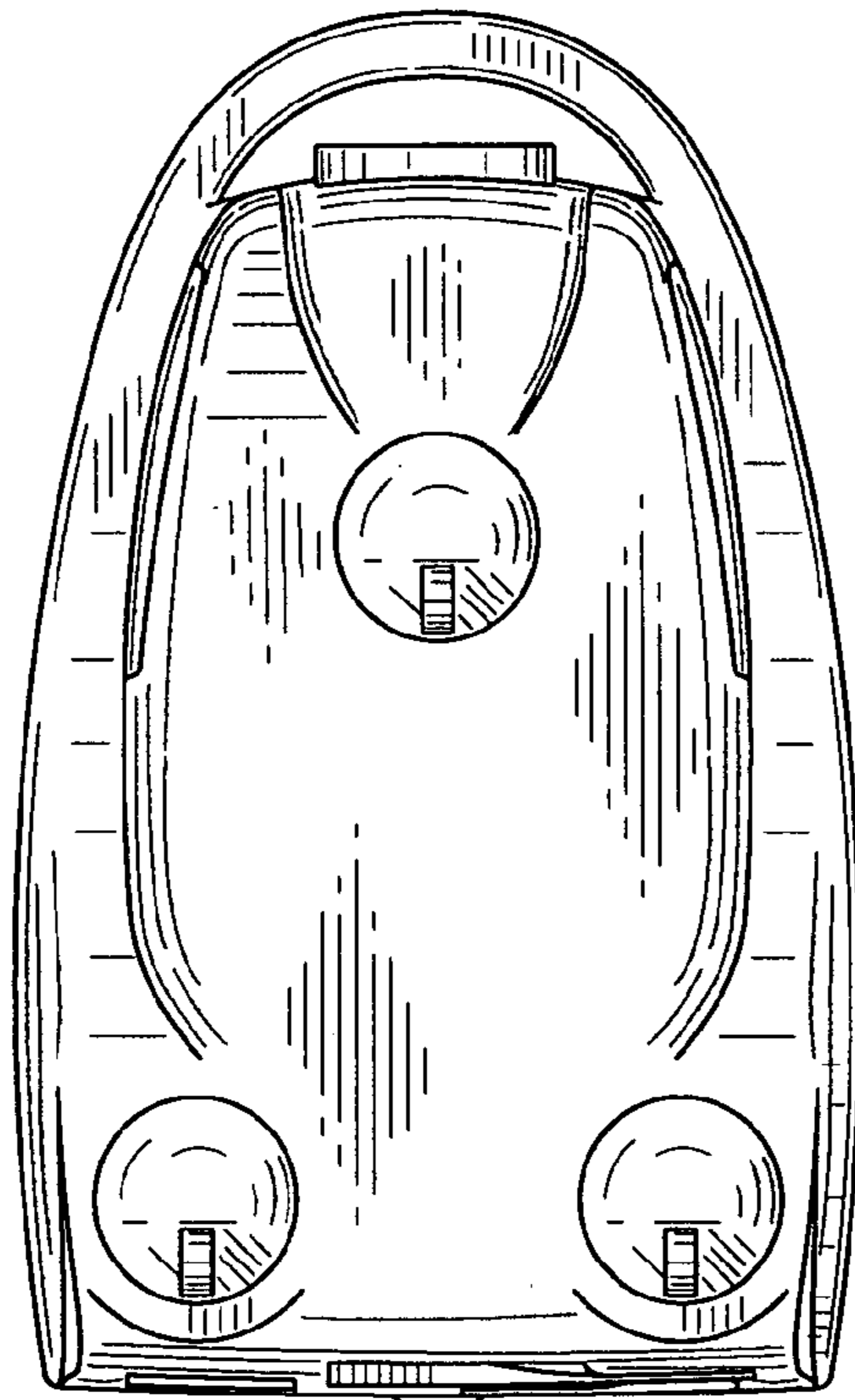


FIG.8

