



US00D581109S

(12) **United States Design Patent**
Totz

(10) **Patent No.:** **US D581,109 S**

(45) **Date of Patent:** **** Nov. 18, 2008**

(54) **SHOE AND GLOVE DRYER**

(75) Inventor: **Helmut Totz**, Mannersdorf am
Leithagebirge (AT)

(73) Assignee: **CPD Handelsgesellschaft m.b.H.**,
Mannersdorf Am Leithagebirge (AT)

(**) Term: **14 Years**

(21) Appl. No.: **29/298,529**

(22) Filed: **Dec. 6, 2007**

(30) **Foreign Application Priority Data**

Jun. 12, 2007 (CH) 134044

(51) **LOC (8) Cl.** **15-05**

(52) **U.S. Cl.** **D32/8**

(58) **Field of Classification Search** D32/1,
D32/58-59, 8, 25, 14.1, 55-57; 223/113;
34/90, 103-106, 202, 239, 240, 287, 437,
34/440, 589; 211/34-35, 37

See application file for complete search history.

(56) **References Cited**

U.S. PATENT DOCUMENTS

1,074,888	A *	10/1913	McIver	34/104
D224,309	S *	7/1972	Wolff	D32/9
5,199,188	A *	4/1993	Franz	34/105
D349,788	S *	8/1994	Laferriere et al.	D32/1
D372,346	S *	7/1996	Marks	D32/8
D373,867	S *	9/1996	Rask	D32/58
D383,276	S *	9/1997	Janney	D32/58
D412,231	S *	7/1999	Williams et al.	D32/58
6,351,894	B1 *	3/2002	Lund et al.	34/106
6,918,193	B2 *	7/2005	Marolt	34/104
D541,493	S *	4/2007	Peet	D32/8
D565,260	S *	3/2008	Lam	D32/8

OTHER PUBLICATIONS

http://www.cozywinters.com/shopping/graphics/0000001/KW046-002_H.jpg Jun. 27, 2008.*

http://www.cozywinters.com/shopping/graphics/0000001/DG1_B.jpg Jun. 27, 2008.*

* cited by examiner

Primary Examiner—Louis S Zarfaz

Assistant Examiner—Kathleen M Sims

(74) *Attorney, Agent, or Firm*—Workman Nydegger

(57) **CLAIM**

The ornamental design for a shoe and glove dryer, as shown and described.

DESCRIPTION

FIG. 1 is a perspective view of a first embodiment of a shoe and glove dryer showing my new design;

FIG. 2 is a front elevation view thereof;

FIG. 3 is a top plan view thereof;

FIG. 4 is a bottom plan view thereof;

FIG. 5 is a left side view thereof;

FIG. 6 is a right side view thereof; and

FIG. 7 is a rear elevation view.

FIG. 8 is a perspective view of a second embodiment of a shoe and glove dryer in with the article supports extended;

FIG. 9 is a front elevation view thereof;

FIG. 10 is a top plan view thereof;

FIG. 11 is a bottom plan view thereof;

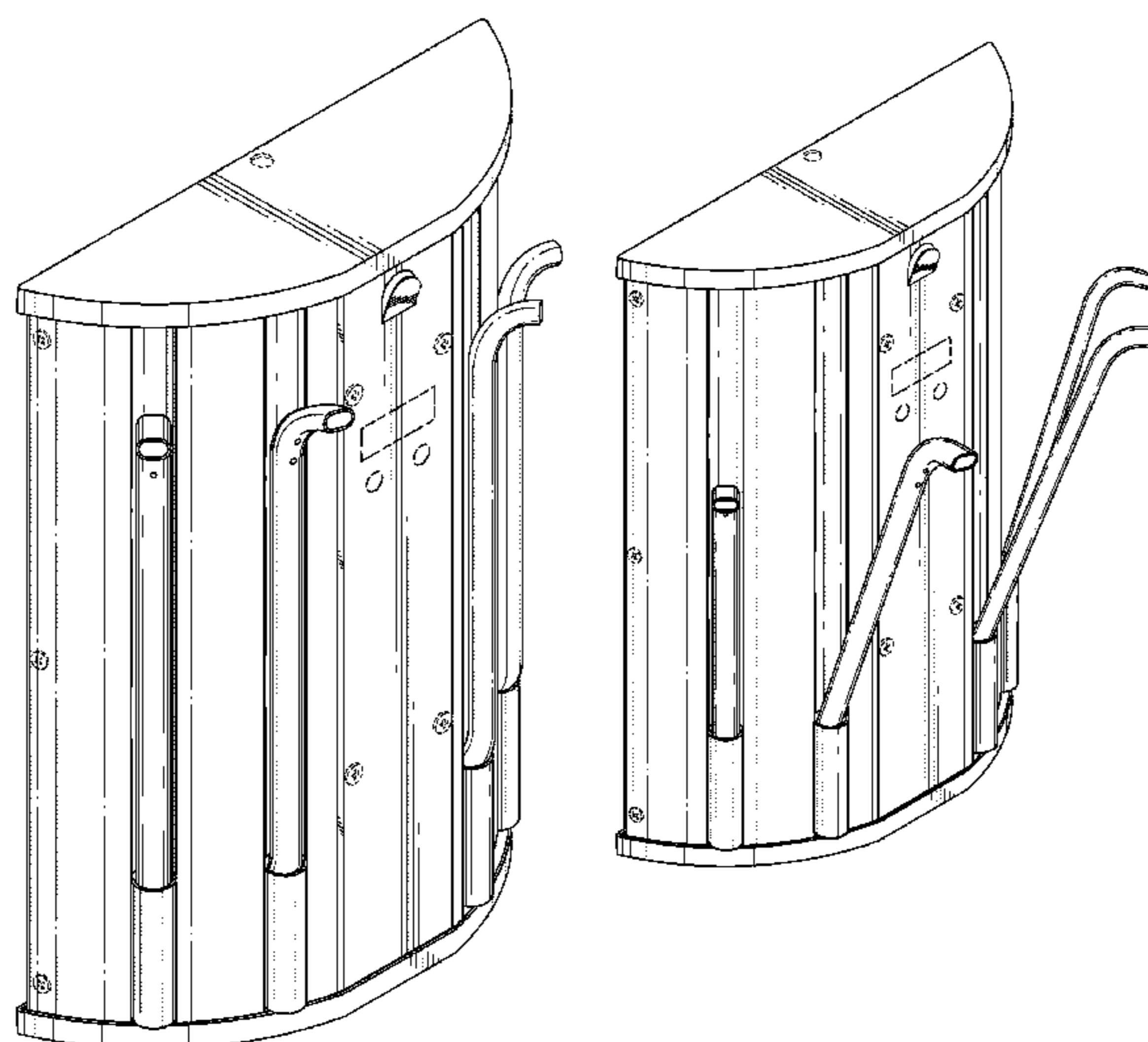
FIG. 12 is a left side view thereof;

FIG. 13 is a right side view thereof; and,

FIG. 14 is a rear elevation view thereof.

The broken line showing of details in FIGS. 1-14 is included for the purpose of illustrating environmental portions of the shoe and glove dryer and forms no part of the claimed design.

1 Claim, 8 Drawing Sheets



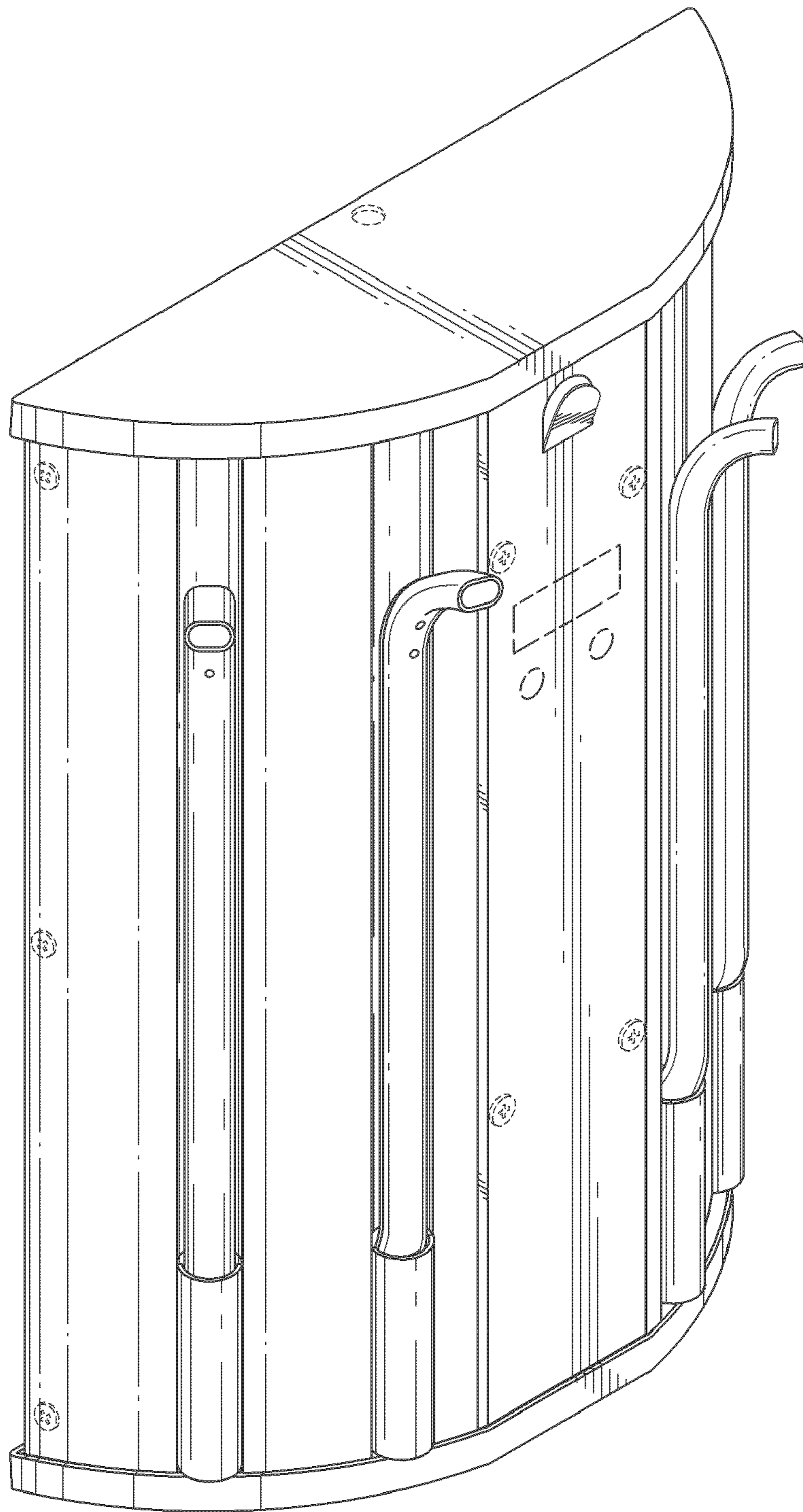


Fig. 1

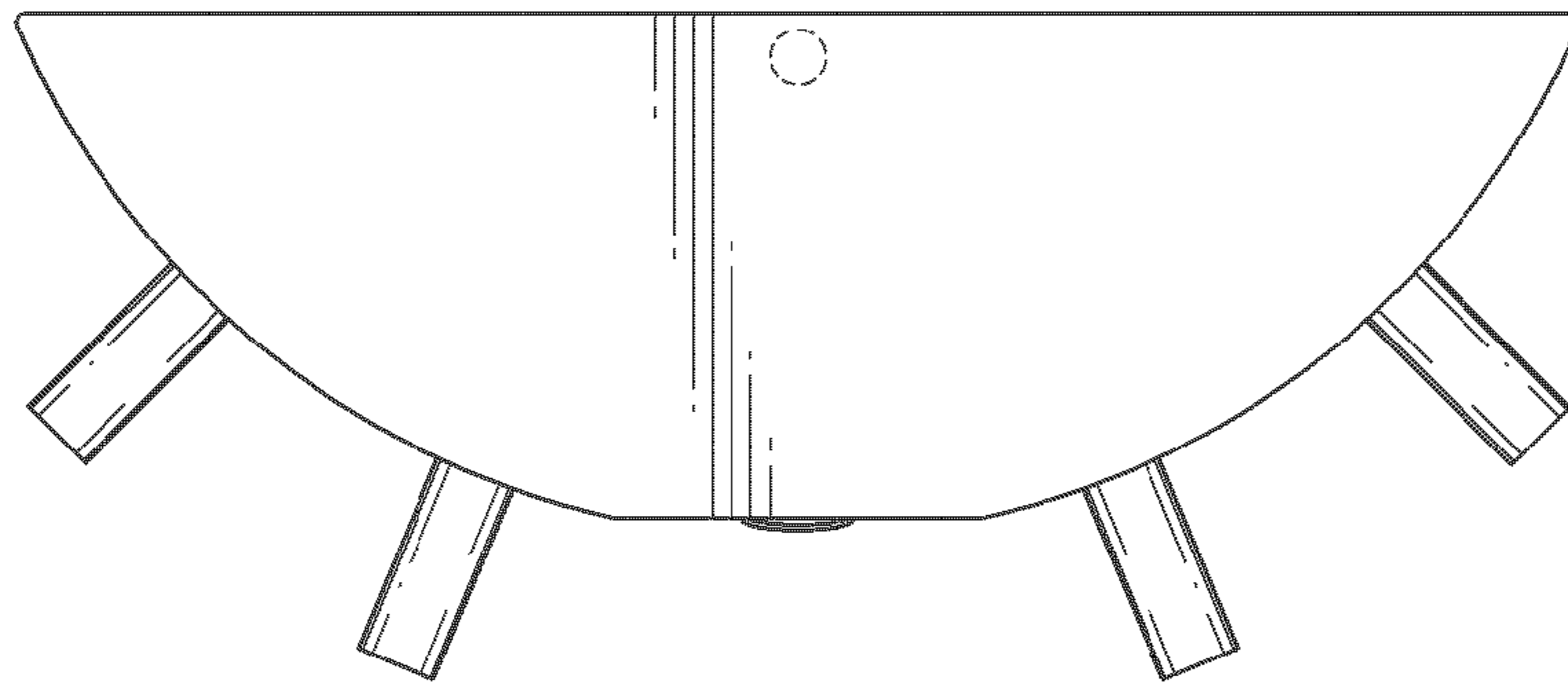


Fig. 3

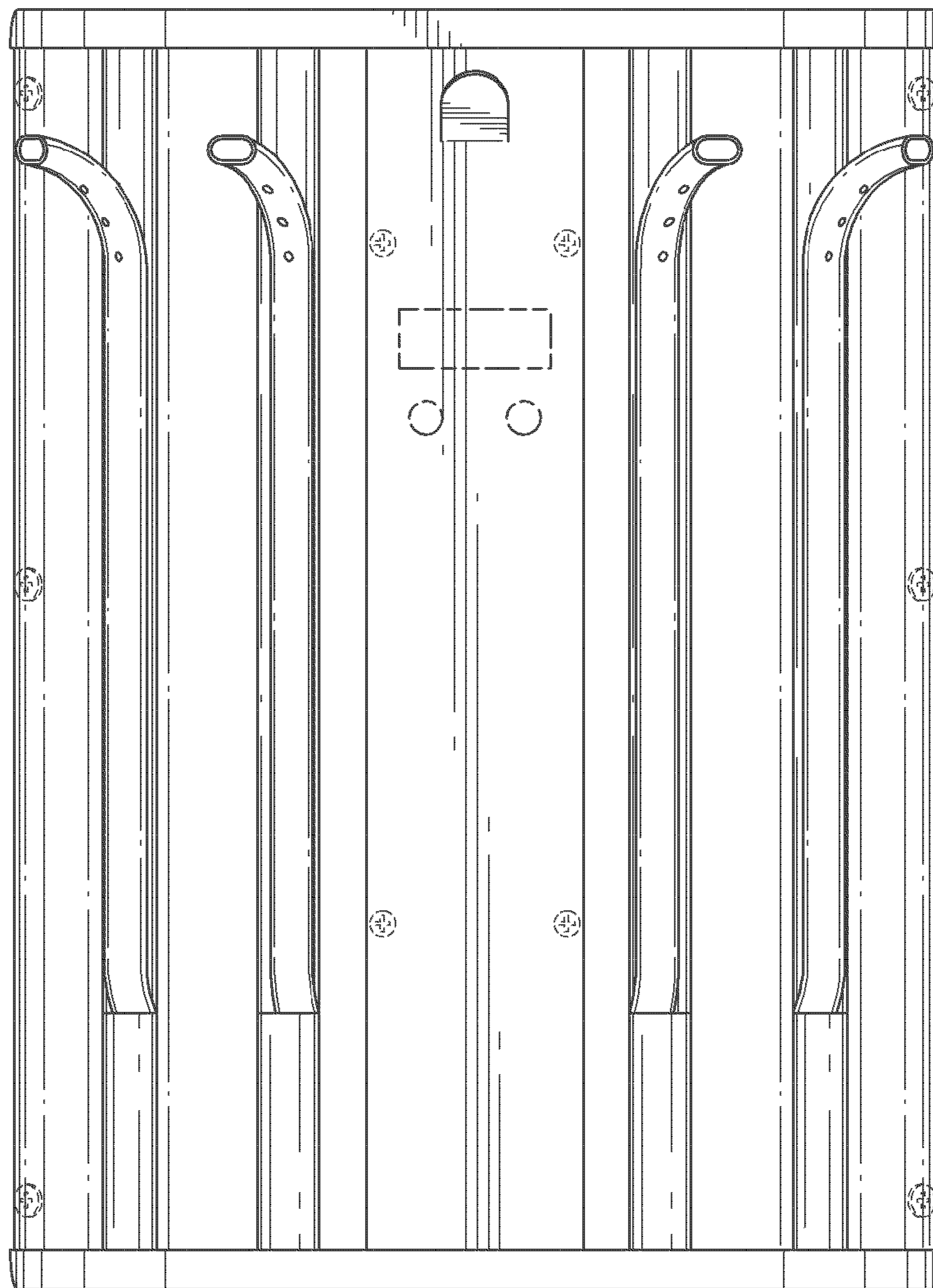


Fig. 2

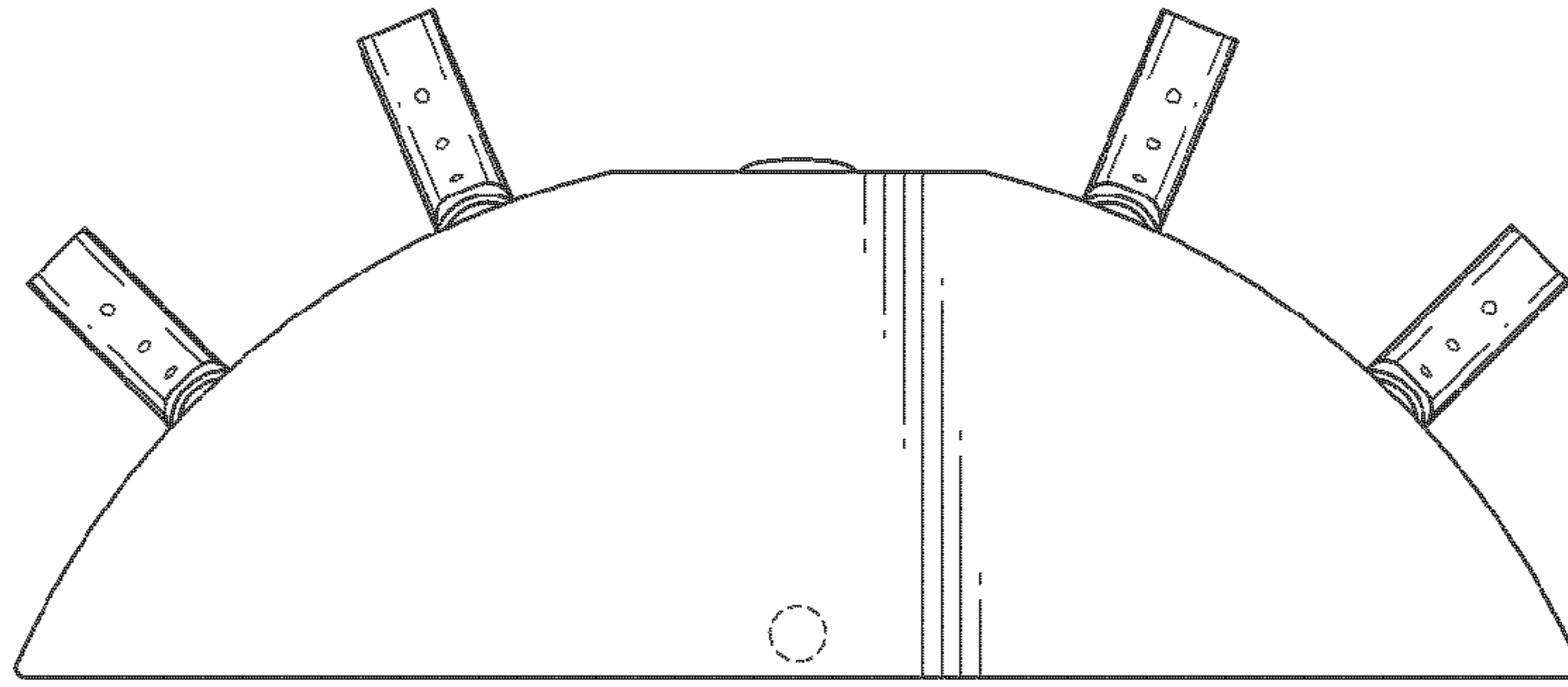


Fig. 4

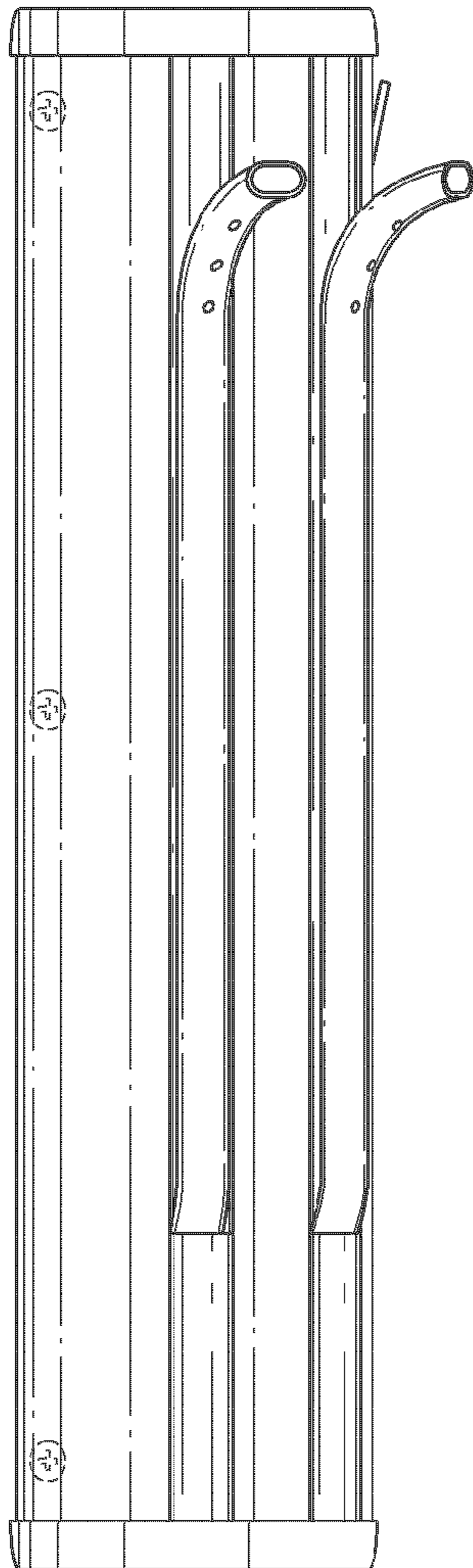


Fig. 5

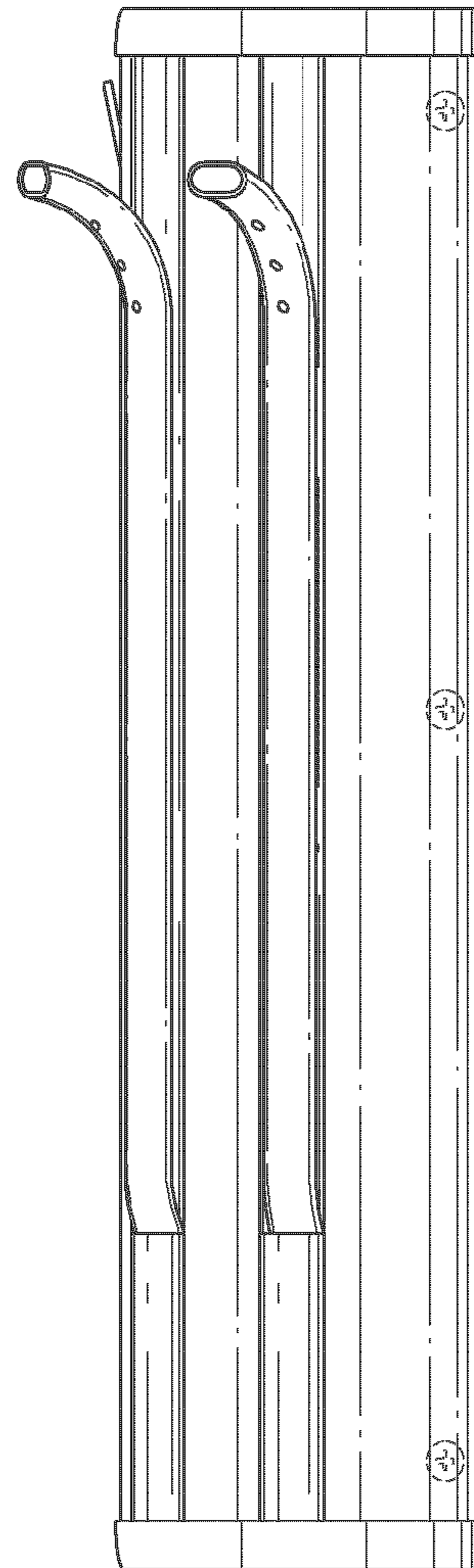


Fig. 6

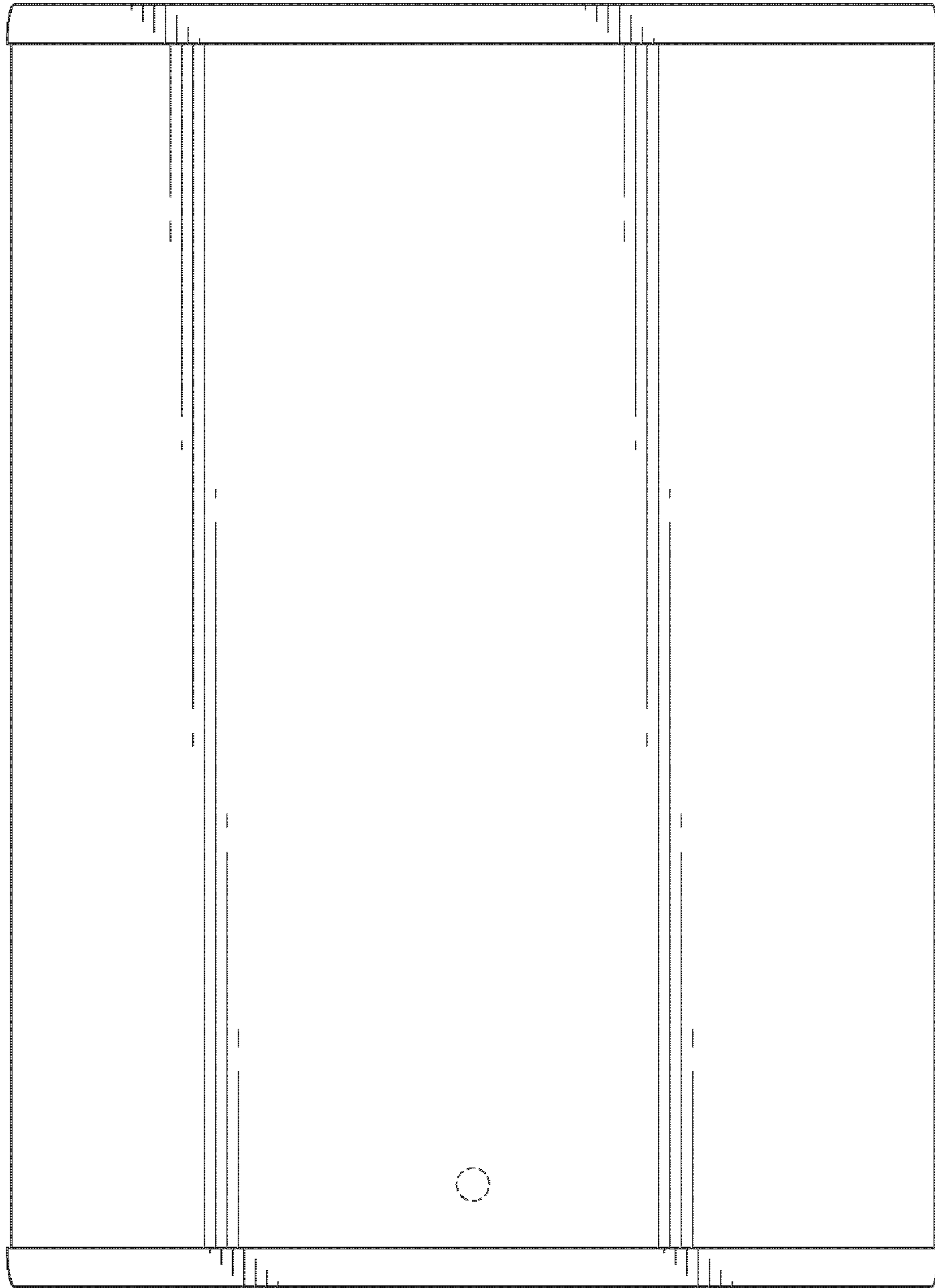


Fig. 7

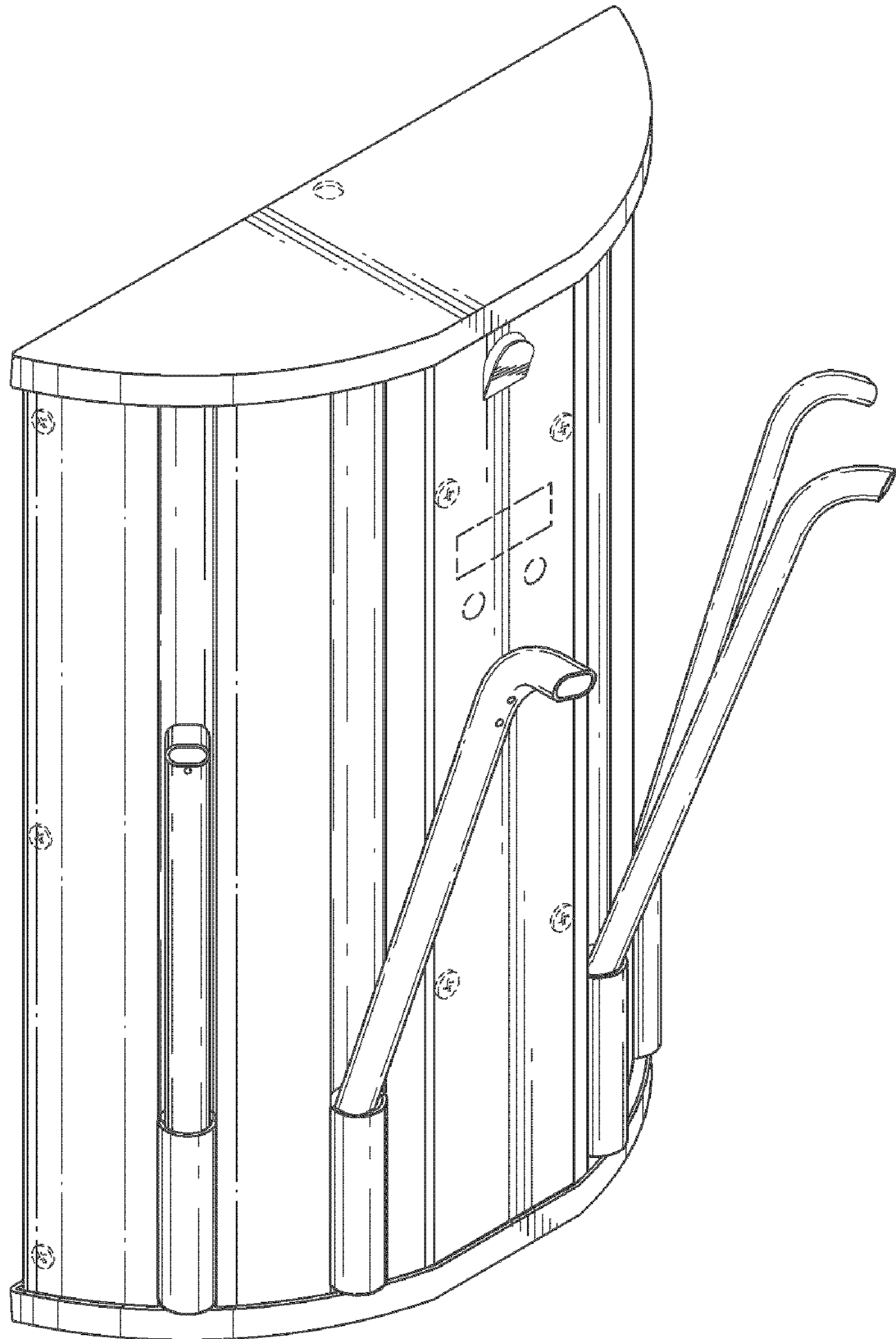


Fig. 8

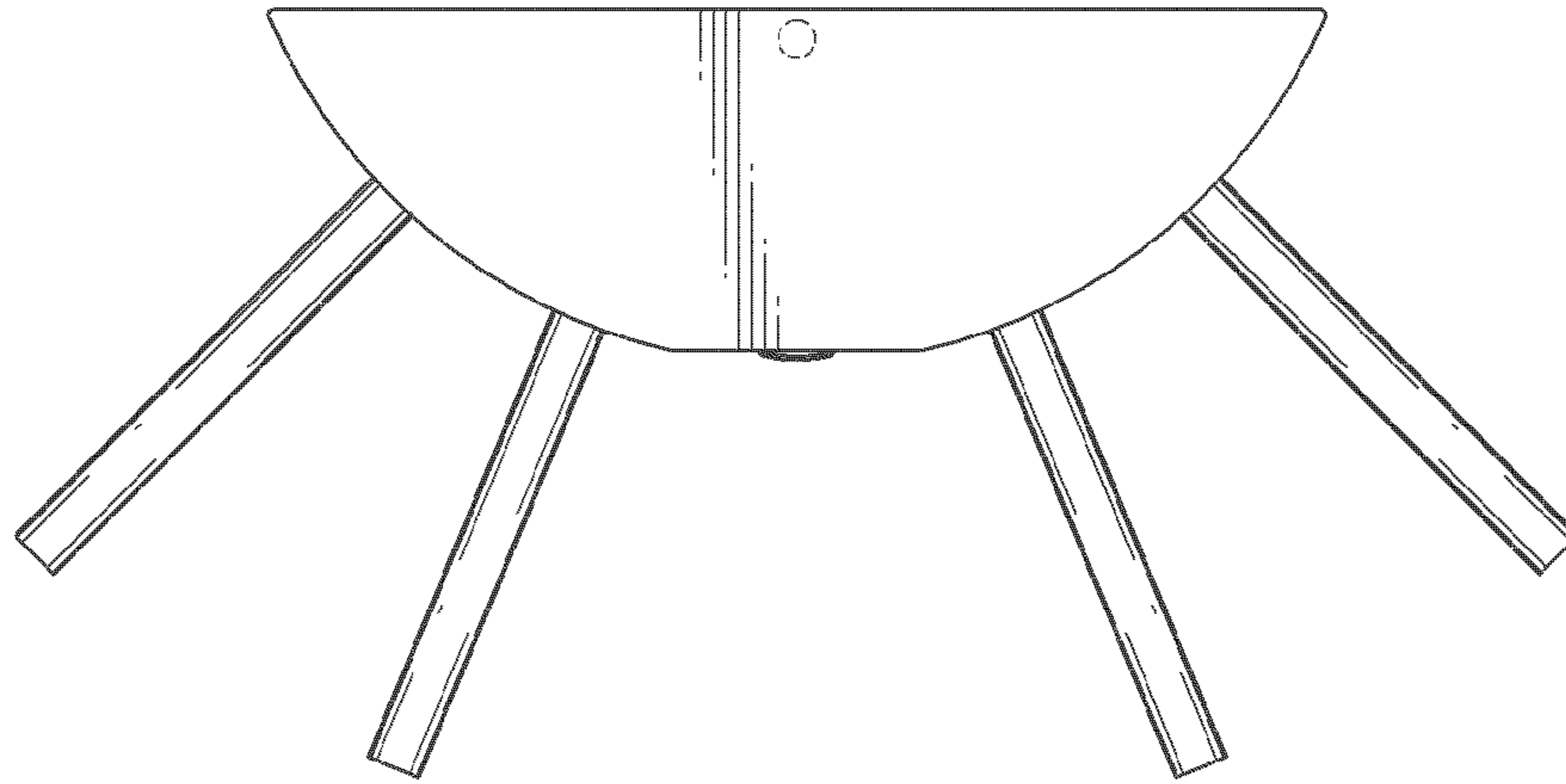


Fig. 10

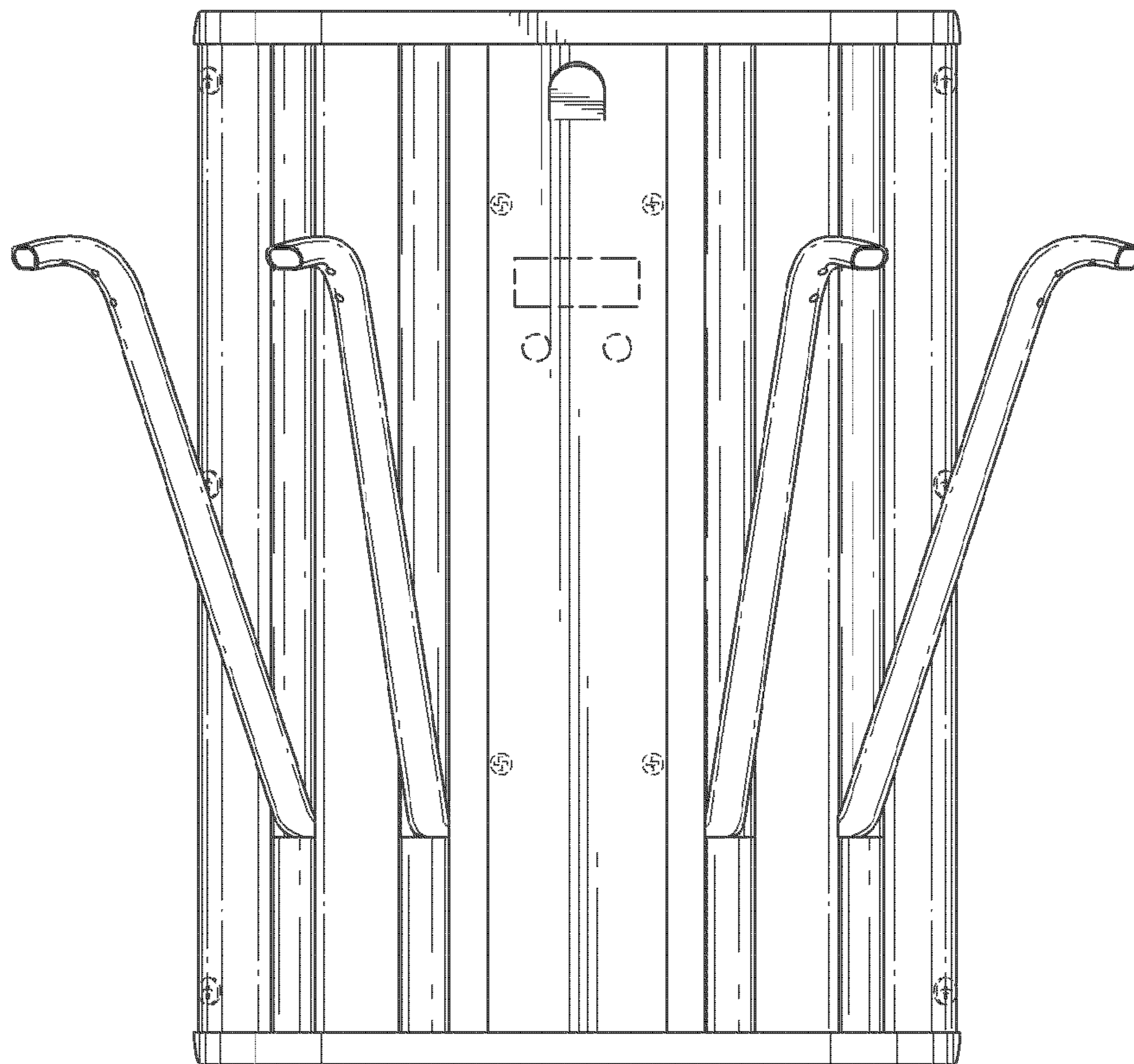


Fig. 9

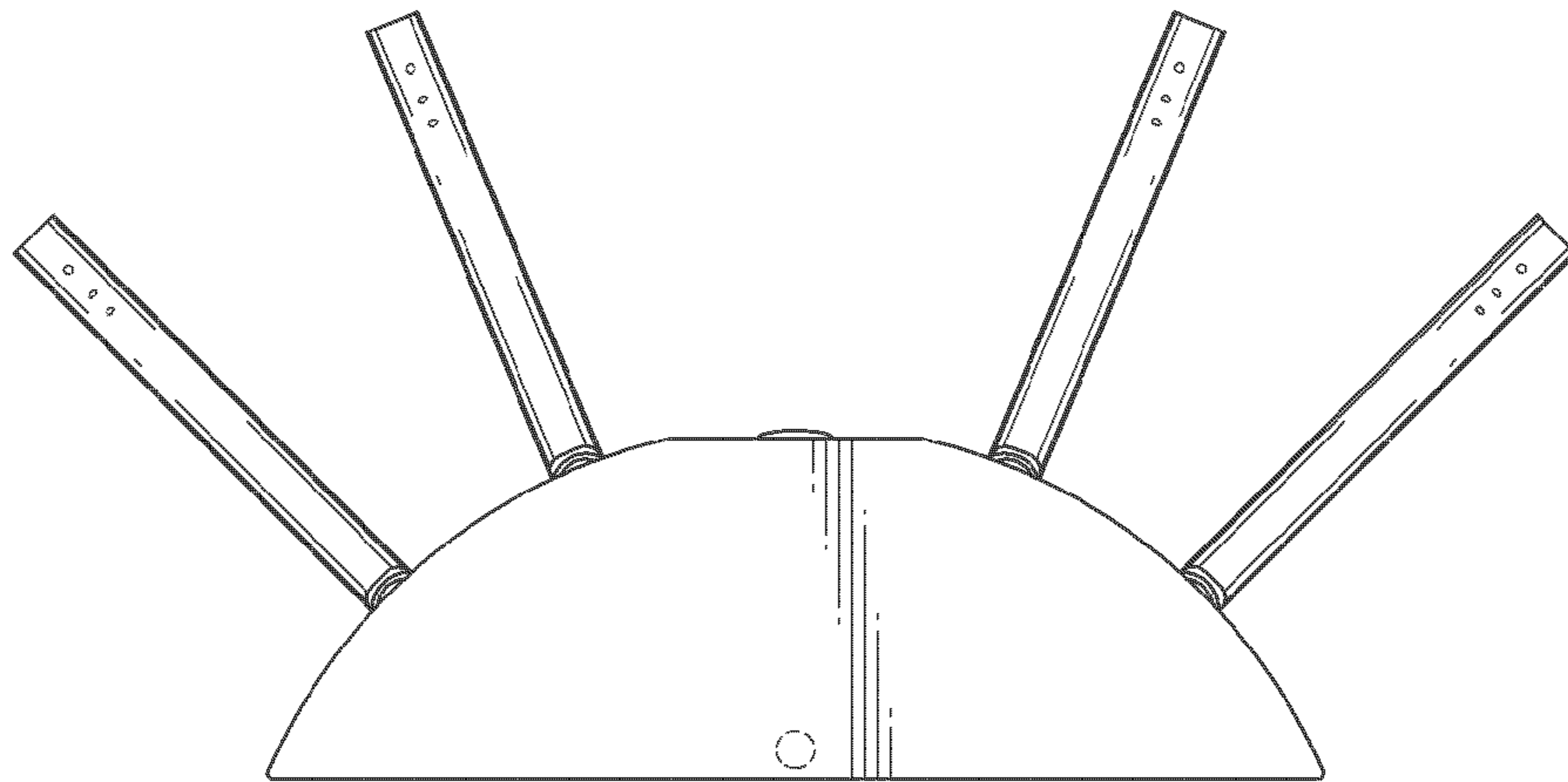


Fig. 11

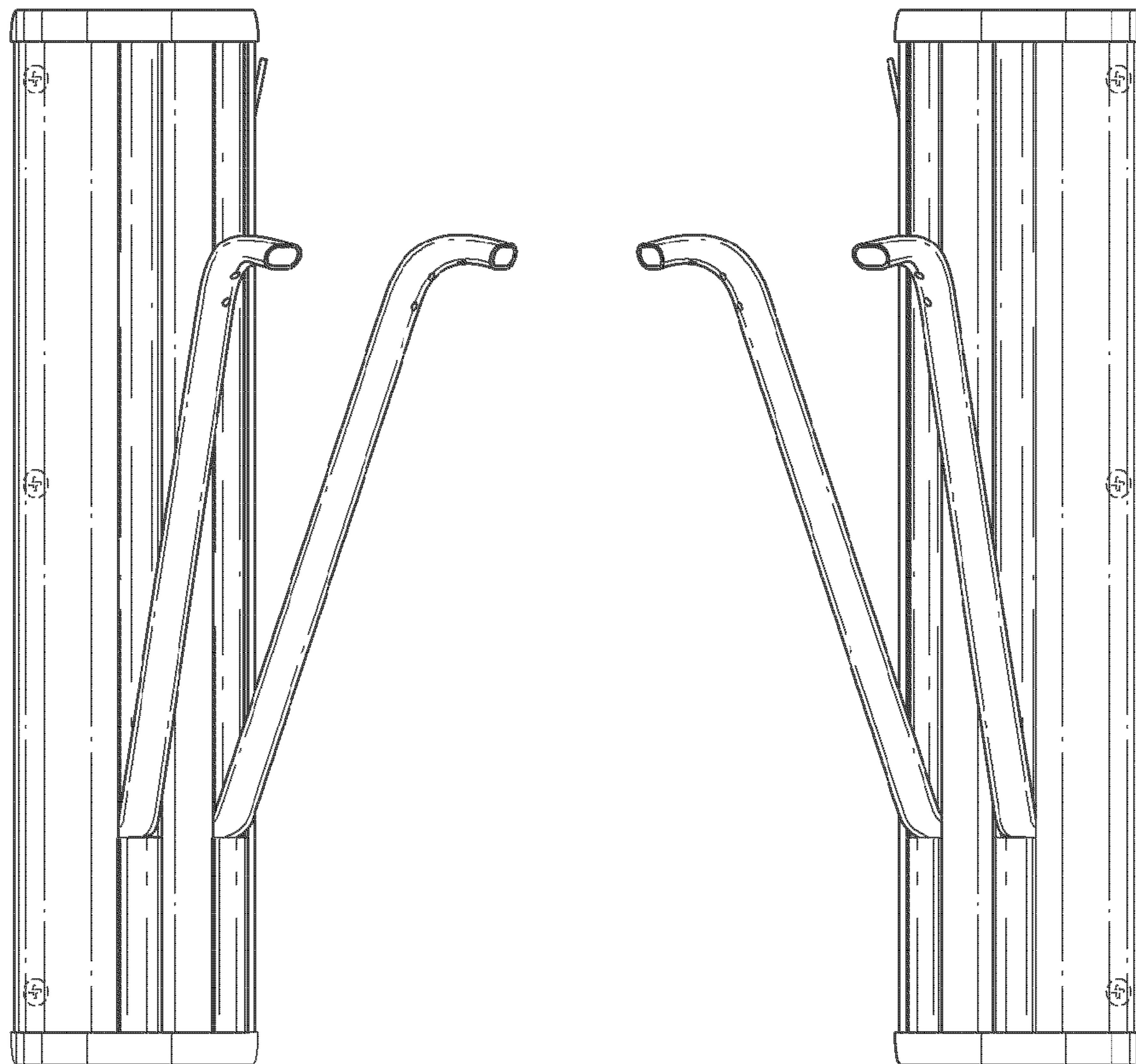


Fig. 12

Fig. 13

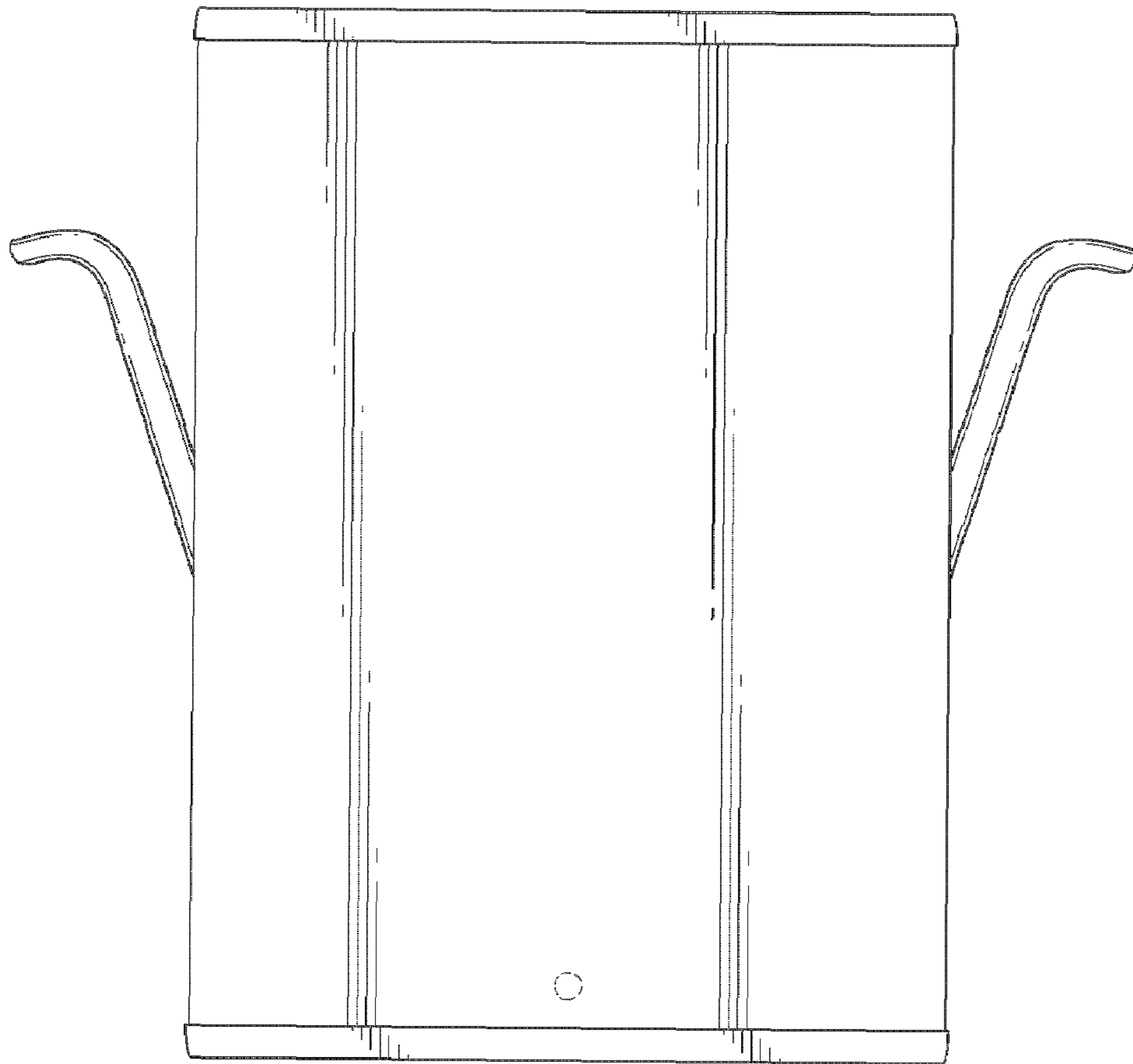


Fig. 14