



US00D581103S

(12) **United States Design Patent**  
**Fang**

(10) **Patent No.:** **US D581,103 S**

(45) **Date of Patent:** **\*\* Nov. 18, 2008**

(54) **HATBAND**

(76) Inventor: **Kenneth Fang**, P.O. Box 26-757, Taipei  
106 (TW)

(\*\*) Term: **14 Years**

(21) Appl. No.: **29/286,950**

(22) Filed: **May 24, 2007**

(51) **LOC (8) Cl.** ..... **07-02**

(52) **U.S. Cl.** ..... **D29/122**

(58) **Field of Classification Search** ..... D29/102-107,  
D29/122; 2/410-412, 414, 416-425, 5, 6.6-6.8,  
2/452, DIG. 11, 8.1, 9, 10; 128/201.22, 207.17;  
D26/51; 362/105-107

See application file for complete search history.

(56) **References Cited**

**U.S. PATENT DOCUMENTS**

D501,956	S	*	2/2005	Grepper et al.	.....	D29/122
D503,499	S	*	3/2005	Howard et al.	.....	D29/122
7,000,262	B2	*	2/2006	Bielefeld	.....	2/418
7,120,939	B1	*	10/2006	Howard et al.	.....	2/416
2001/0037519	A1	*	11/2001	Paris et al.	.....	2/422

2008/0109947 A1\* 5/2008 Dubois ..... 2/414

\* cited by examiner

*Primary Examiner*—Ruth McInroy

(74) *Attorney, Agent, or Firm*—Rosenberg, Klein & Lee

(57) **CLAIM**

The ornamental design for a hatband, as shown and described.

**DESCRIPTION**

FIG. 1 is a perspective view of a hatband showing my new design;

FIG. 2 is a front view thereof;

FIG. 3 is a rear view thereof;

FIG. 4 is a left side view thereof;

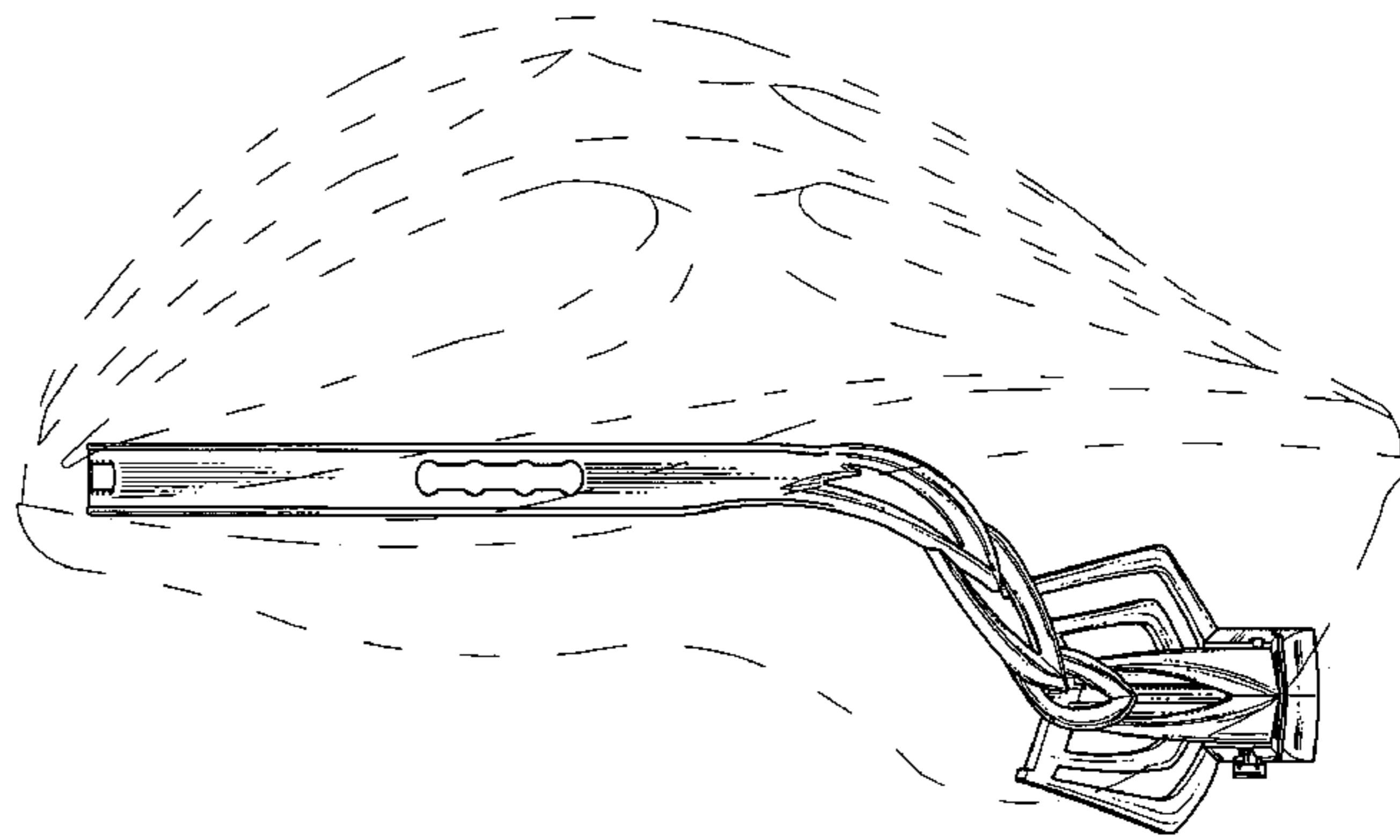
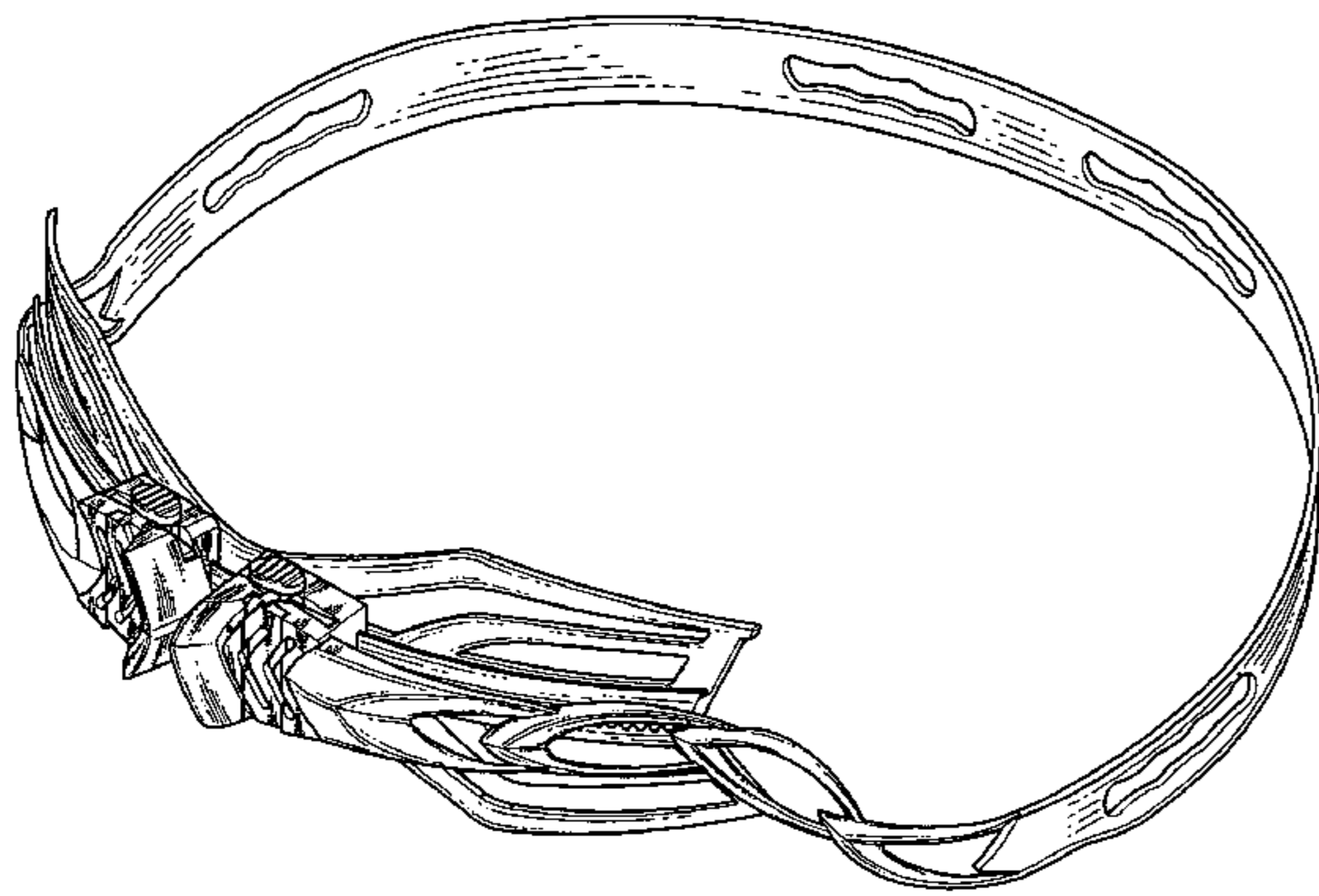
FIG. 5 is a right side view thereof;

FIG. 6 is a top view thereof;

FIG. 7 is a bottom view thereof; and,

FIG. 8 is a left side view showing the hatband upside down in practical use, the helmet shown in broken lines forms no part of the claimed design.

**1 Claim, 6 Drawing Sheets**



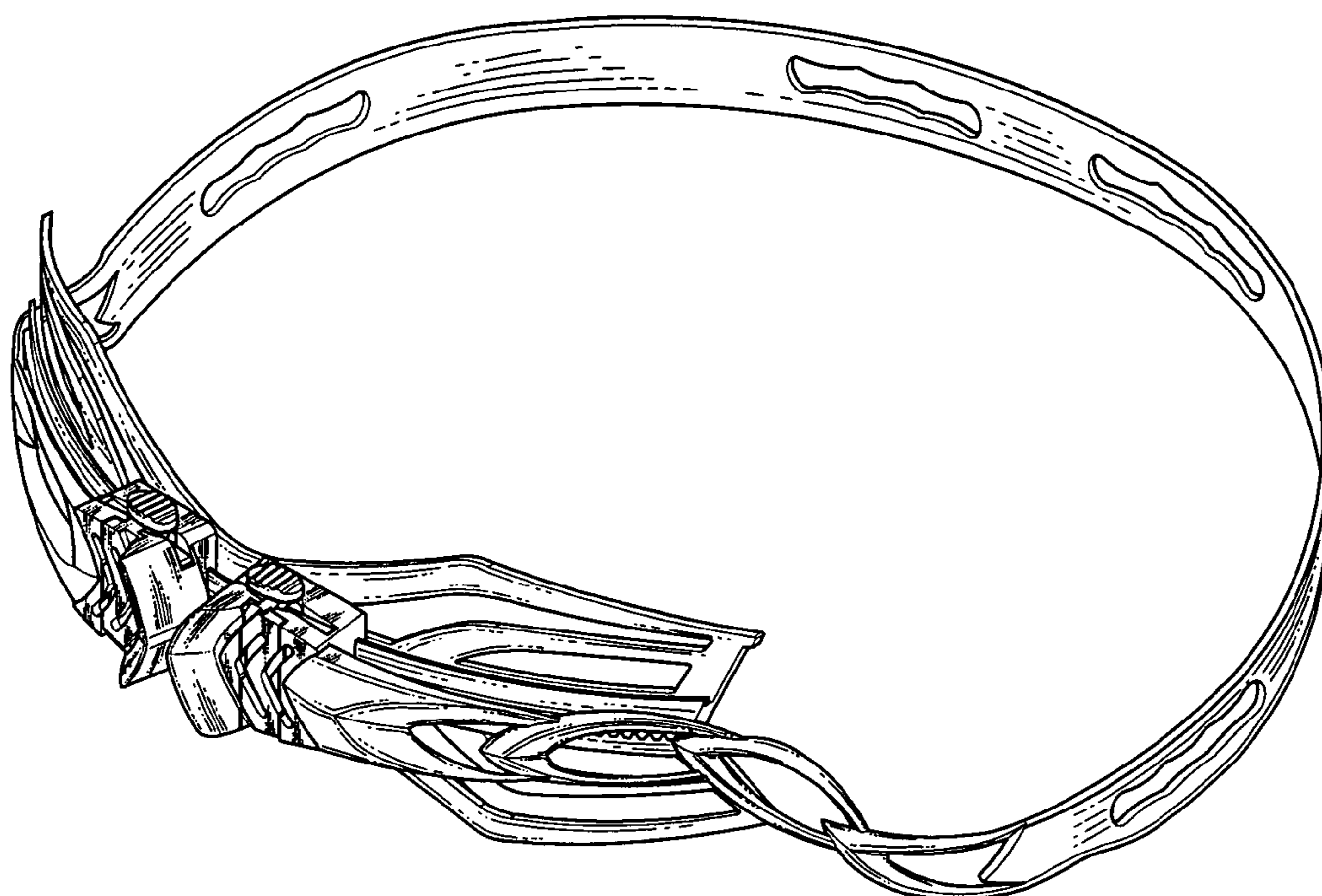


FIG. 1

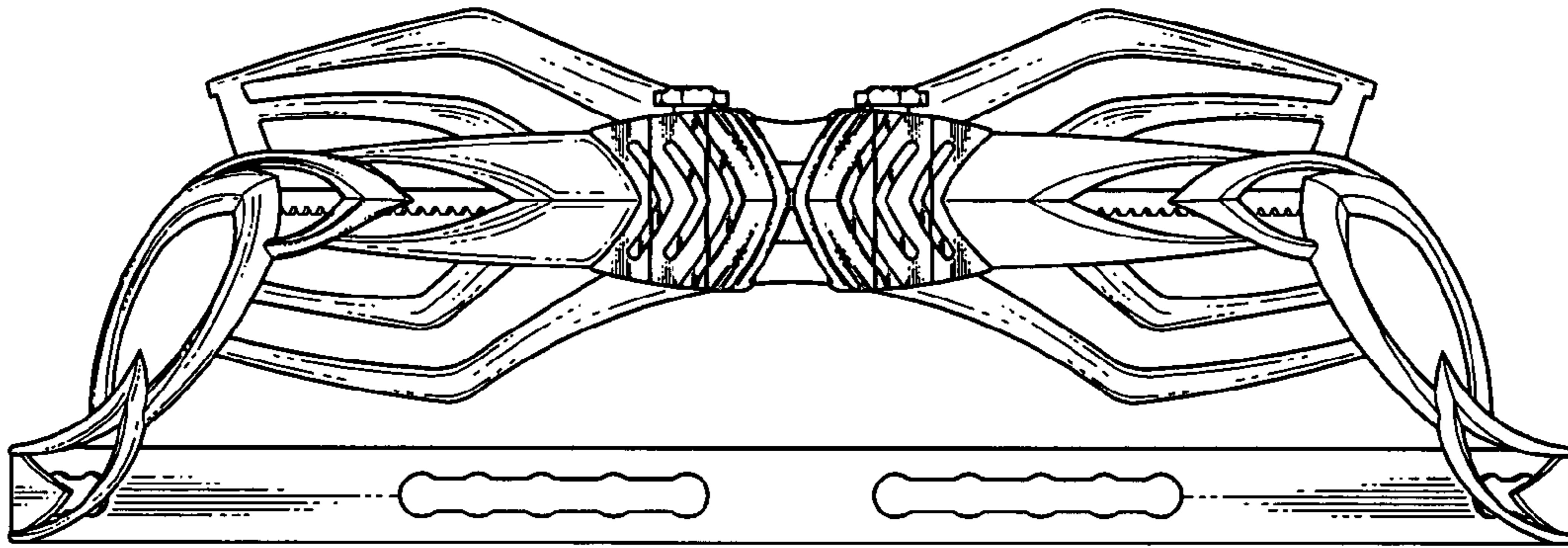


FIG. 2

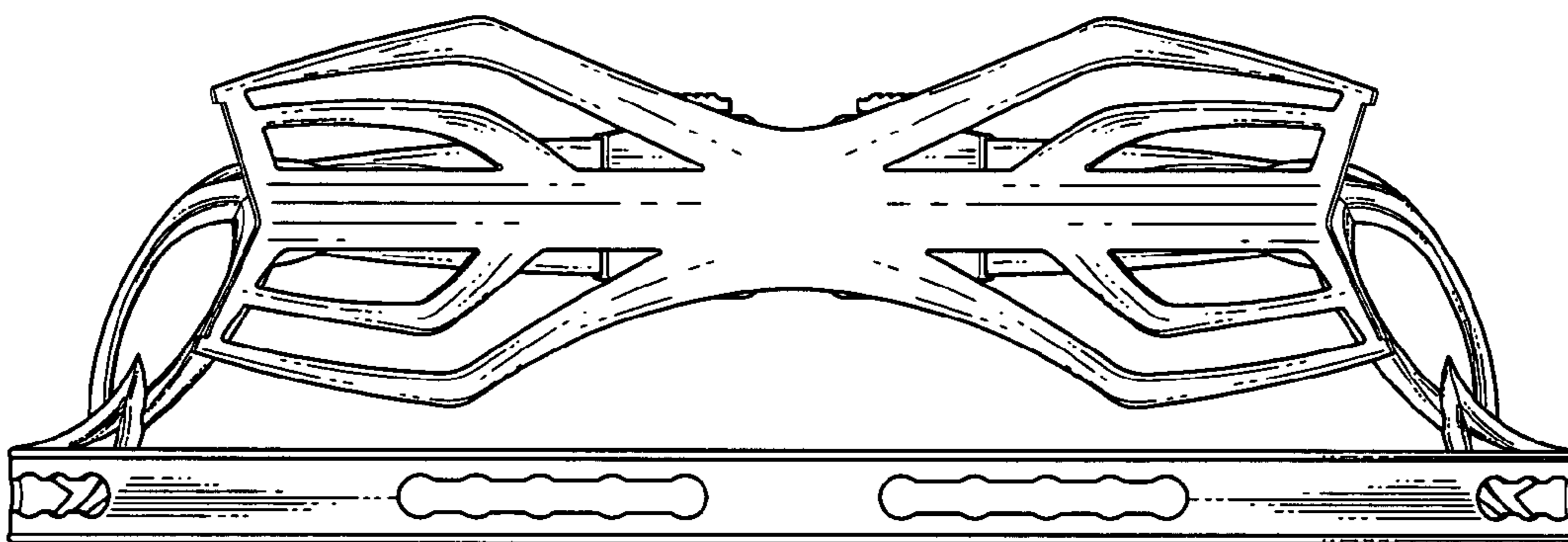


FIG. 3

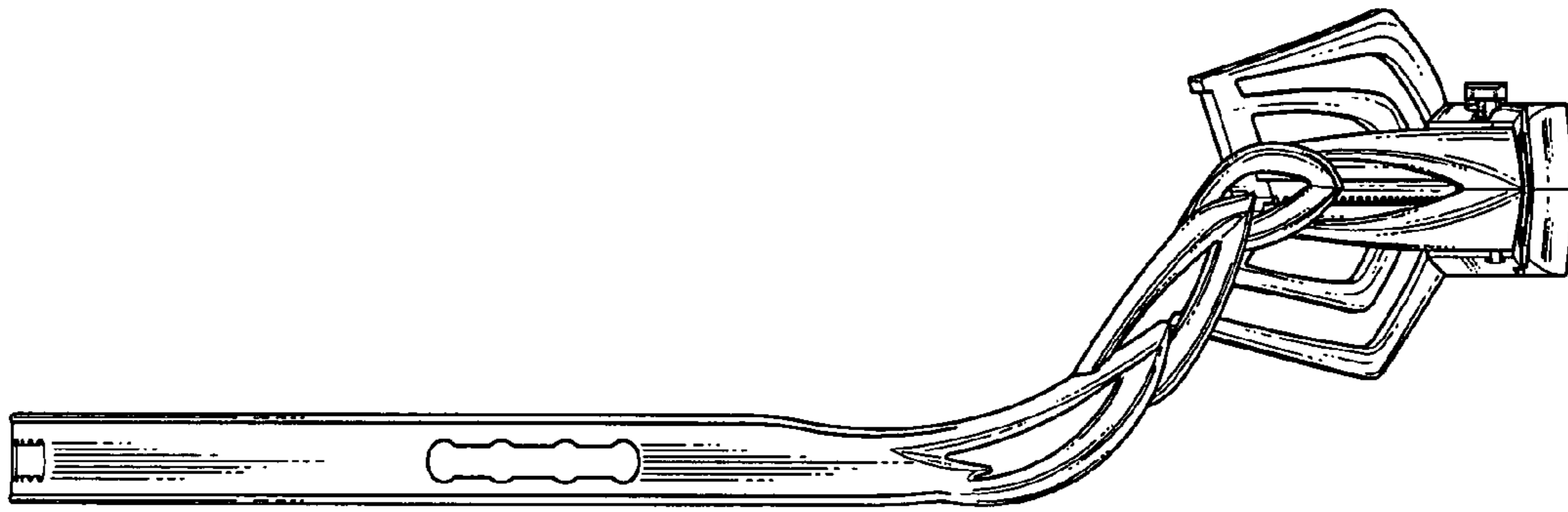


FIG. 4

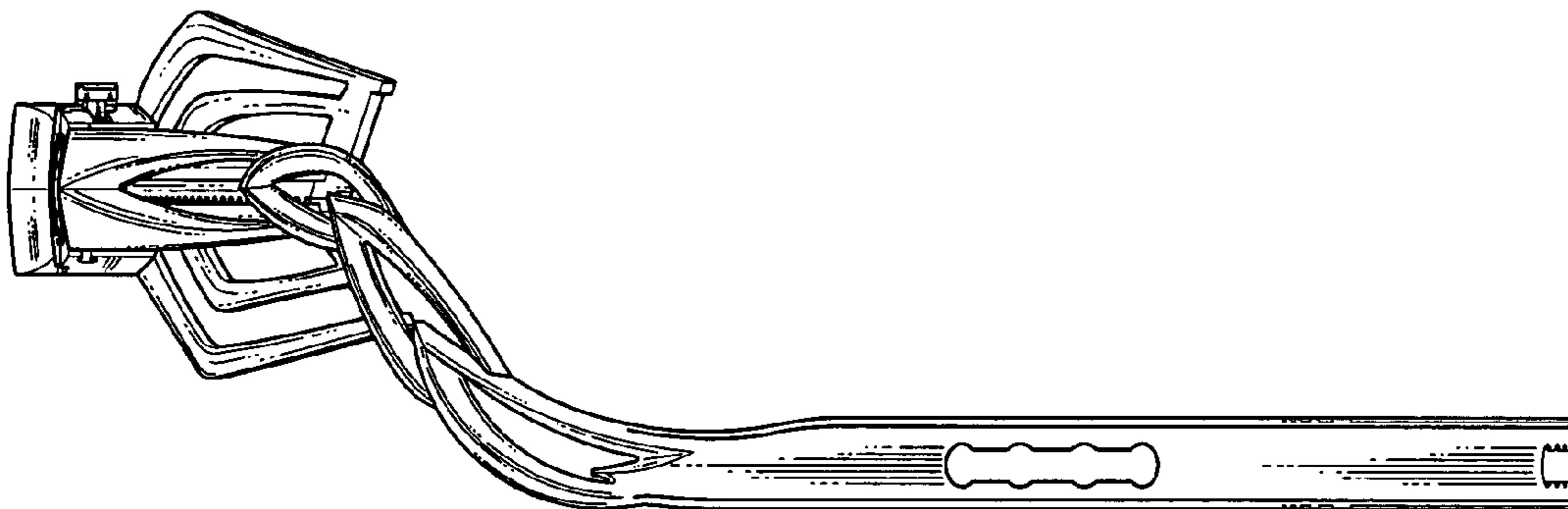


FIG. 5

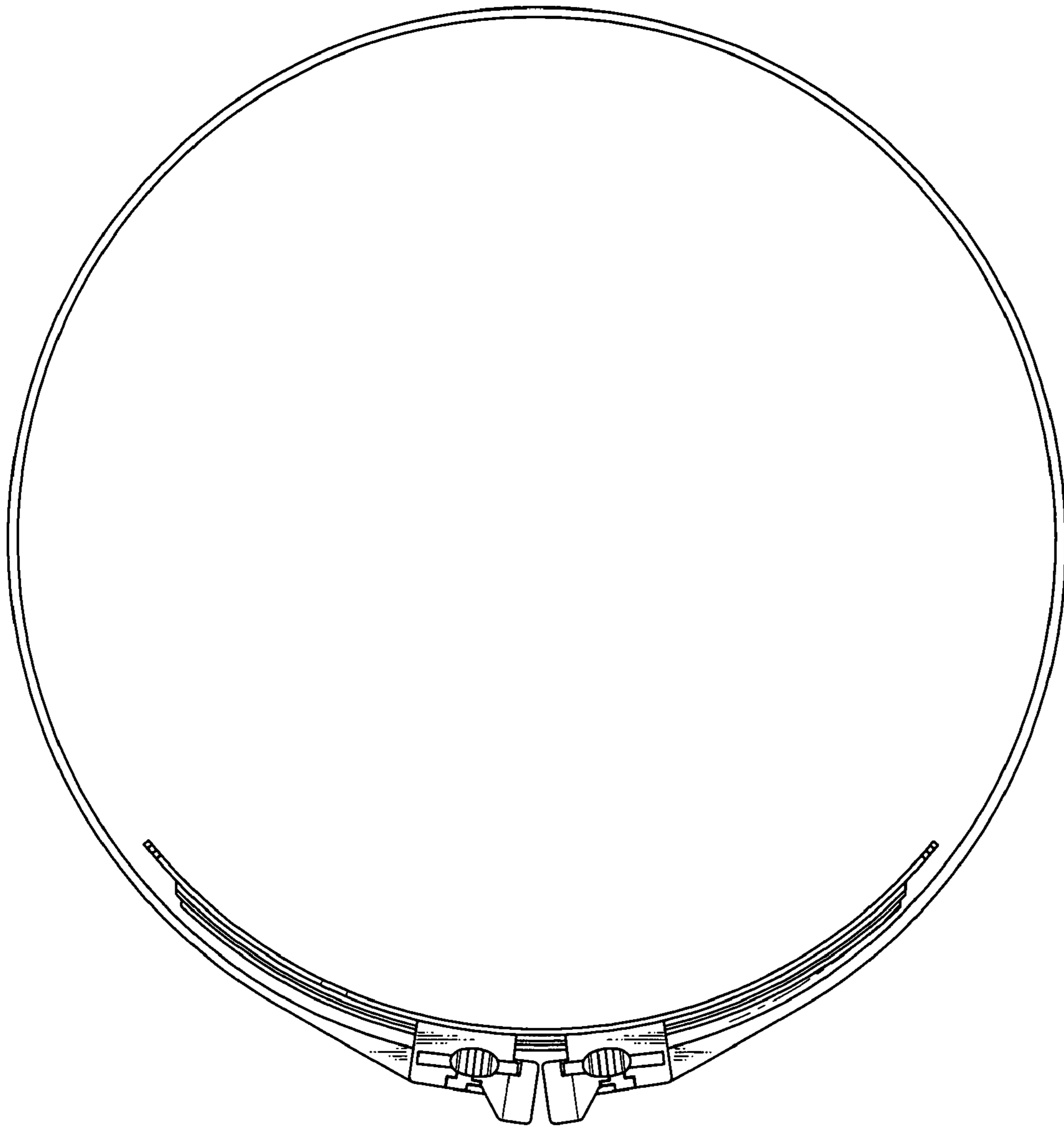


FIG. 6

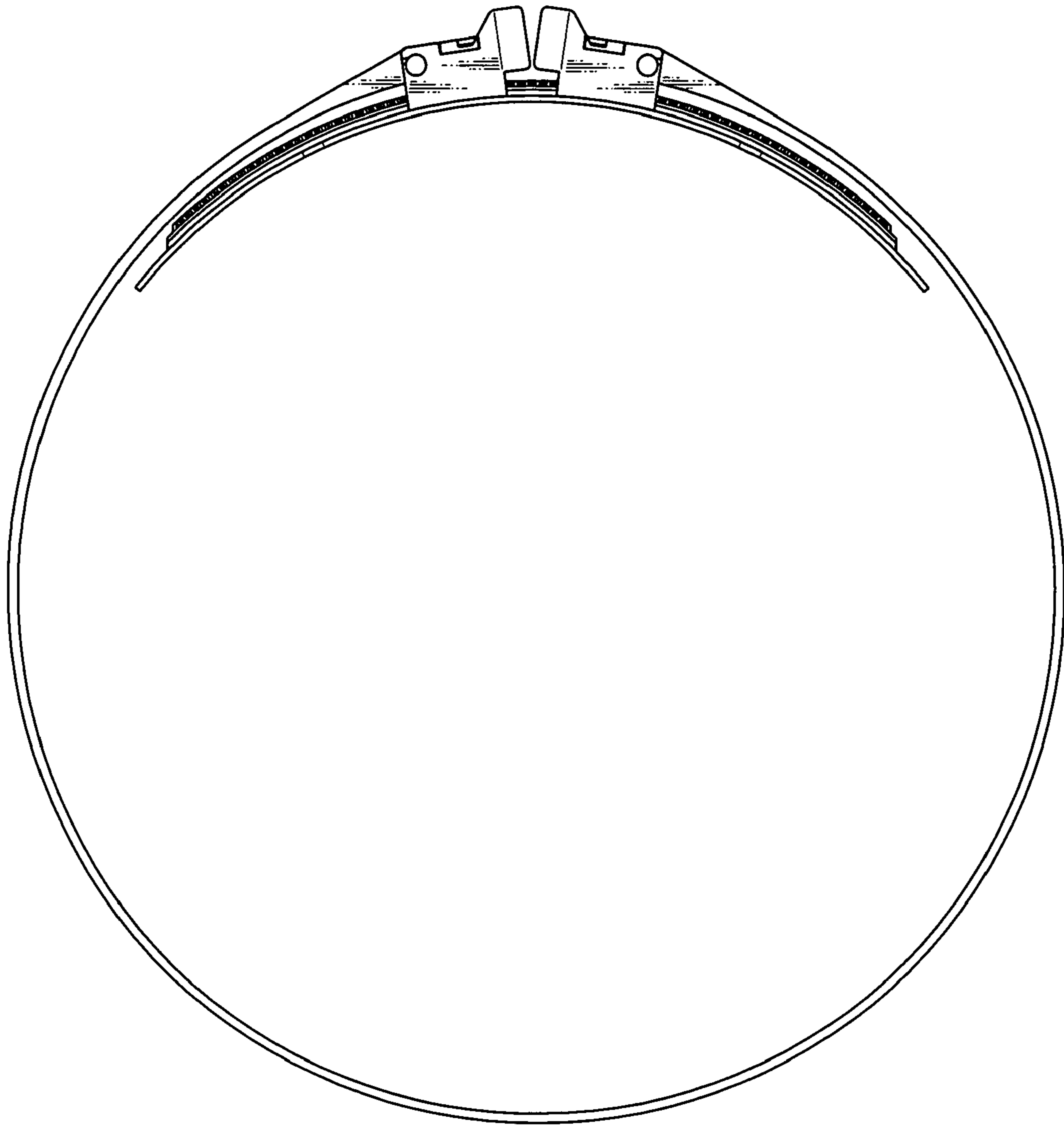


FIG. 7

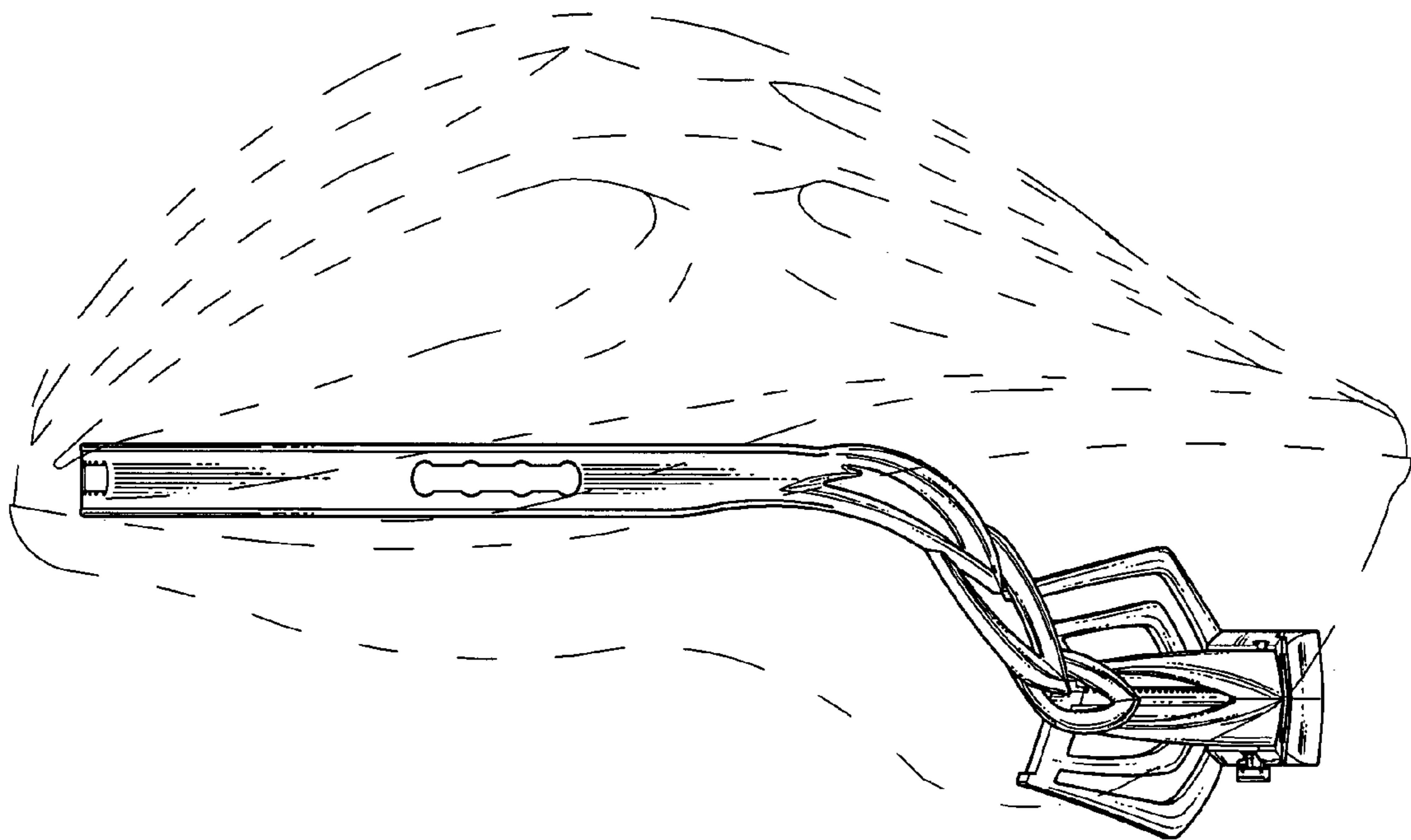


FIG. 8