



US00D581096S

(12) **United States Design Patent**  
**Zhang**

(10) **Patent No.:** **US D581,096 S**  
(45) **Date of Patent:** **\*\* Nov. 18, 2008**

(54) **EYELASH CURLER**

(76) Inventor: **Haiyan Zhang**, 1001-31-1258, Meiling North Rd, Shanghai (CN)

(\*\*) Term: **14 Years**

(21) Appl. No.: **29/274,554**

(22) Filed: **May 1, 2007**

(30) **Foreign Application Priority Data**

Feb. 28, 2007 (JP) ..... 2007-004996

(51) **LOC (8) Cl.** ..... **28-03**

(52) **U.S. Cl.** ..... **D28/36**

(58) **Field of Classification Search** ..... 132/216,  
132/217; D28/36

See application file for complete search history.

(56) **References Cited**

**U.S. PATENT DOCUMENTS**

3,722,519 A \* 3/1973 Epstein ..... D28/36

5,685,324 A \* 11/1997 Huang ..... 132/217

D501,580 S \* 2/2005 Sugawara ..... D28/36

\* cited by examiner

*Primary Examiner*—Jennifer Rivard

(74) *Attorney, Agent, or Firm*—Birch, Stewart, Kolasch & Birch, LLP

(57) **CLAIM**

The ornamental design for an eyelash curler, as shown and described.

**DESCRIPTION**

FIG. 1 is a front elevational view of the eyelash curler, shown in a closed state;

FIG. 2 is a rear elevational view thereof;

FIG. 3 is a top plan view thereof;

FIG. 4 is a bottom plan view thereof;

FIG. 5 is a left side view thereof, the right side view being a mirror image thereof;

FIG. 6 is a bottom, right perspective view thereof;

FIG. 7 is a top, right perspective view thereof;

FIG. 8 is a front elevational view of the eyelash curler, shown in an opened state;

FIG. 9 is a rear elevational view thereof;

FIG. 10 is a top plan view therein;

FIG. 11 is a bottom plan view thereof;

FIG. 12 is a right side view thereof, the left side view being a mirror image thereof;

FIG. 13 is a bottom, right perspective view thereof;

FIG. 14 is a top, right perspective view thereof;

FIG. 15 is a front elevational view of the eyelash curler in use;

FIG. 16 is a rear elevational view thereof;

FIG. 17 is a top plan view thereof;

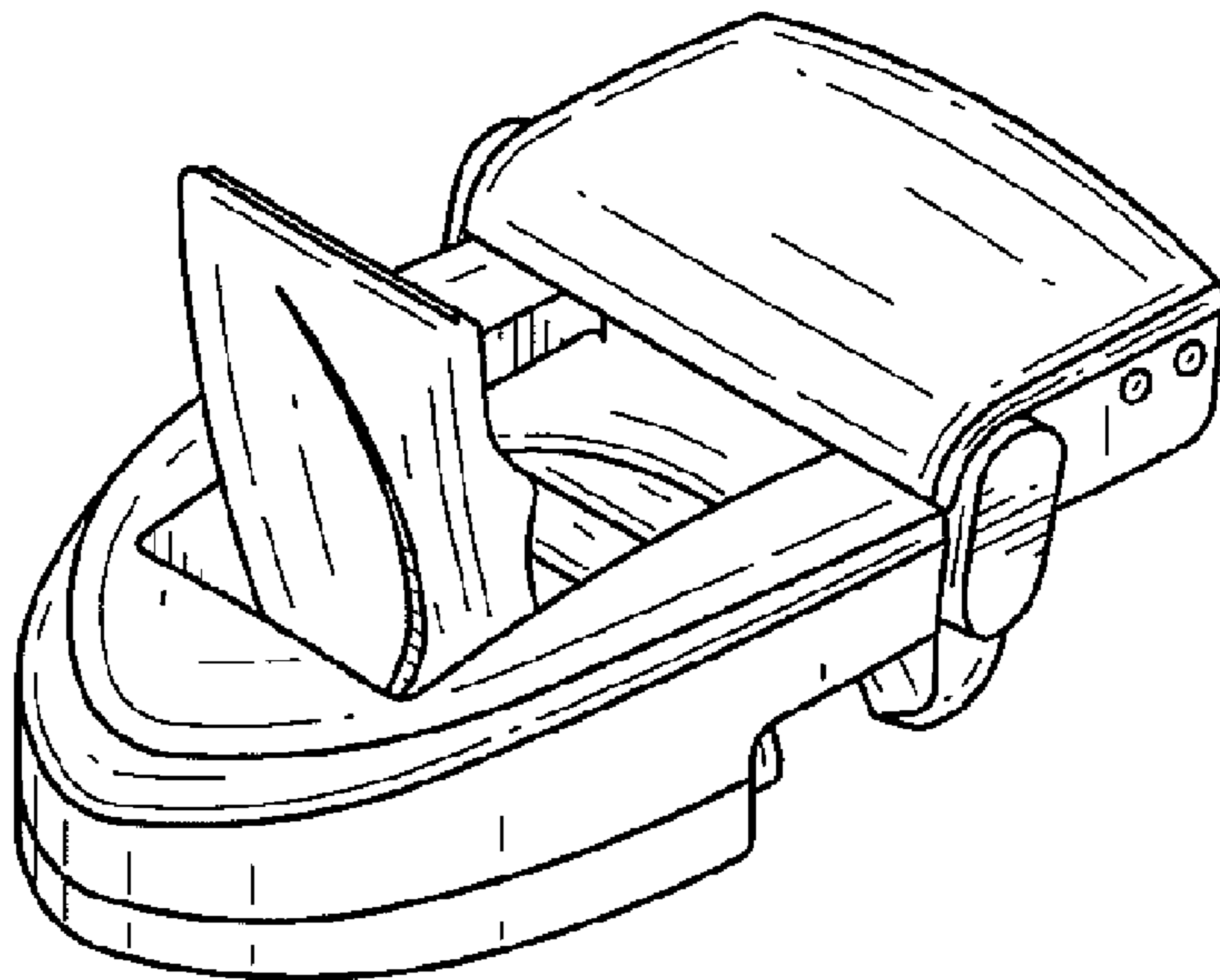
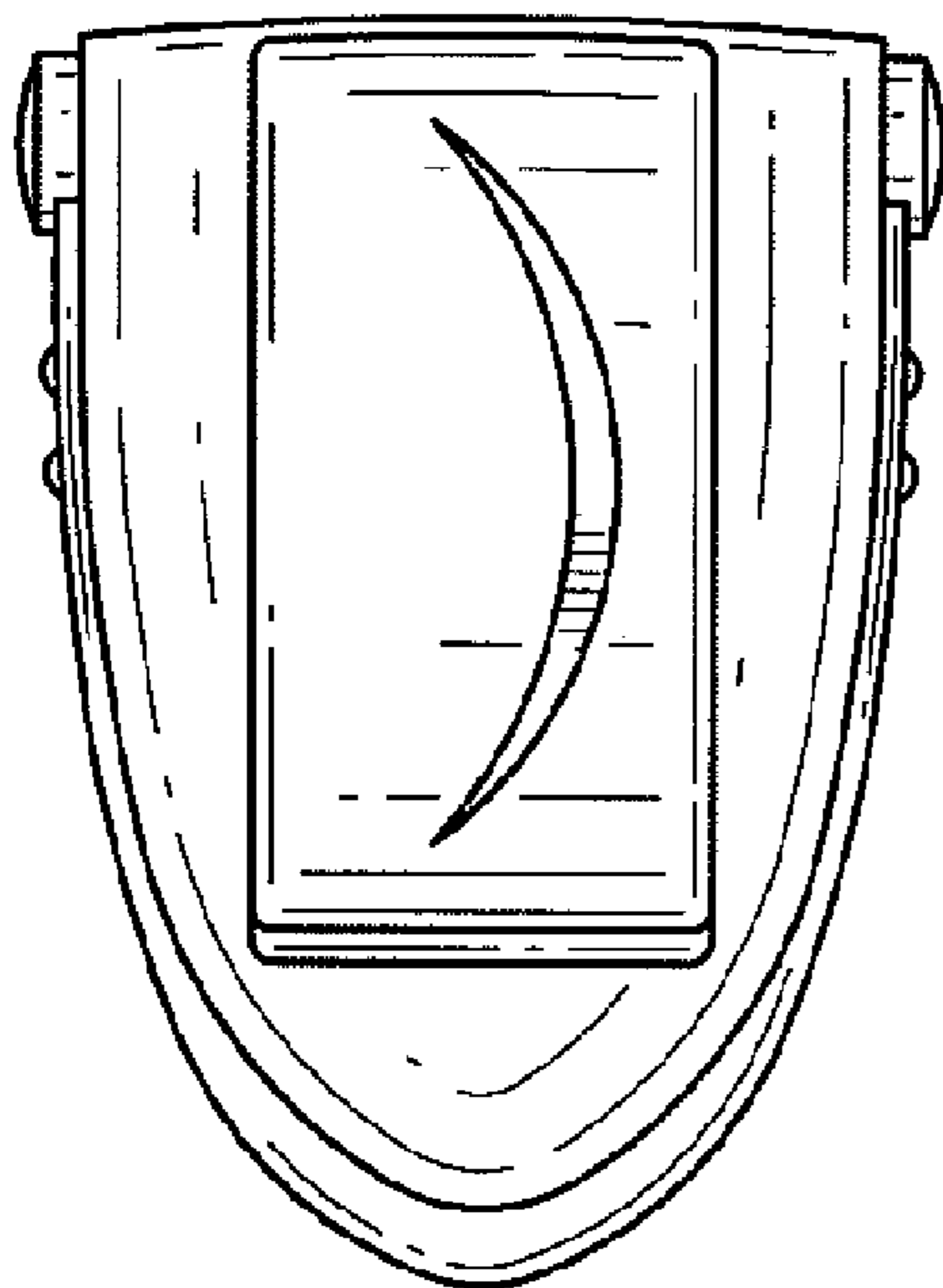
FIG. 18 is a bottom plan view thereof;

FIG. 19 is a right side view thereof, the left side view being a mirror image thereof;

FIG. 20 is a bottom, right perspective view thereof; and,

FIG. 21 is a top, right perspective view thereof.

**1 Claim, 9 Drawing Sheets**



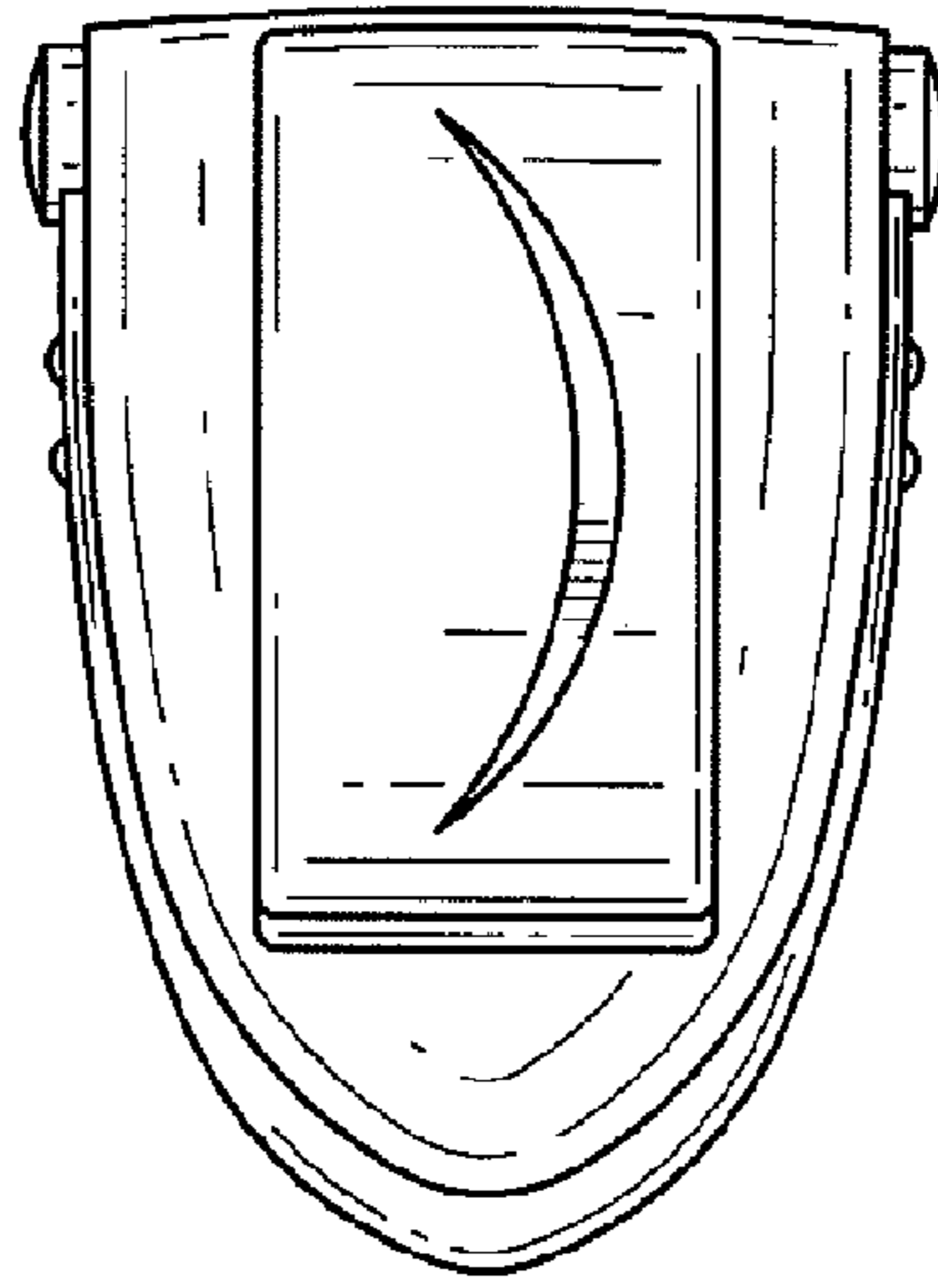


FIG. 1

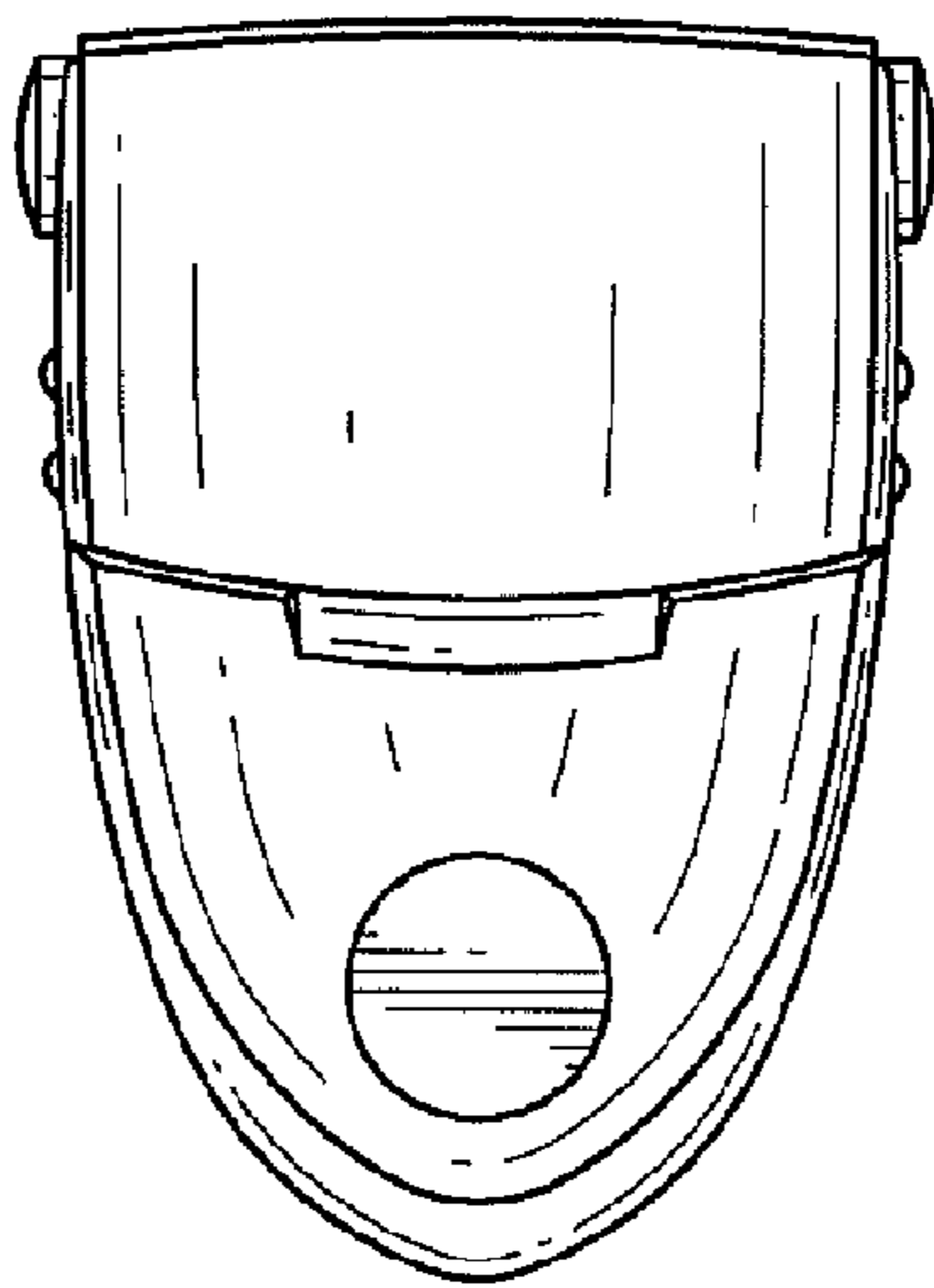


FIG. 2

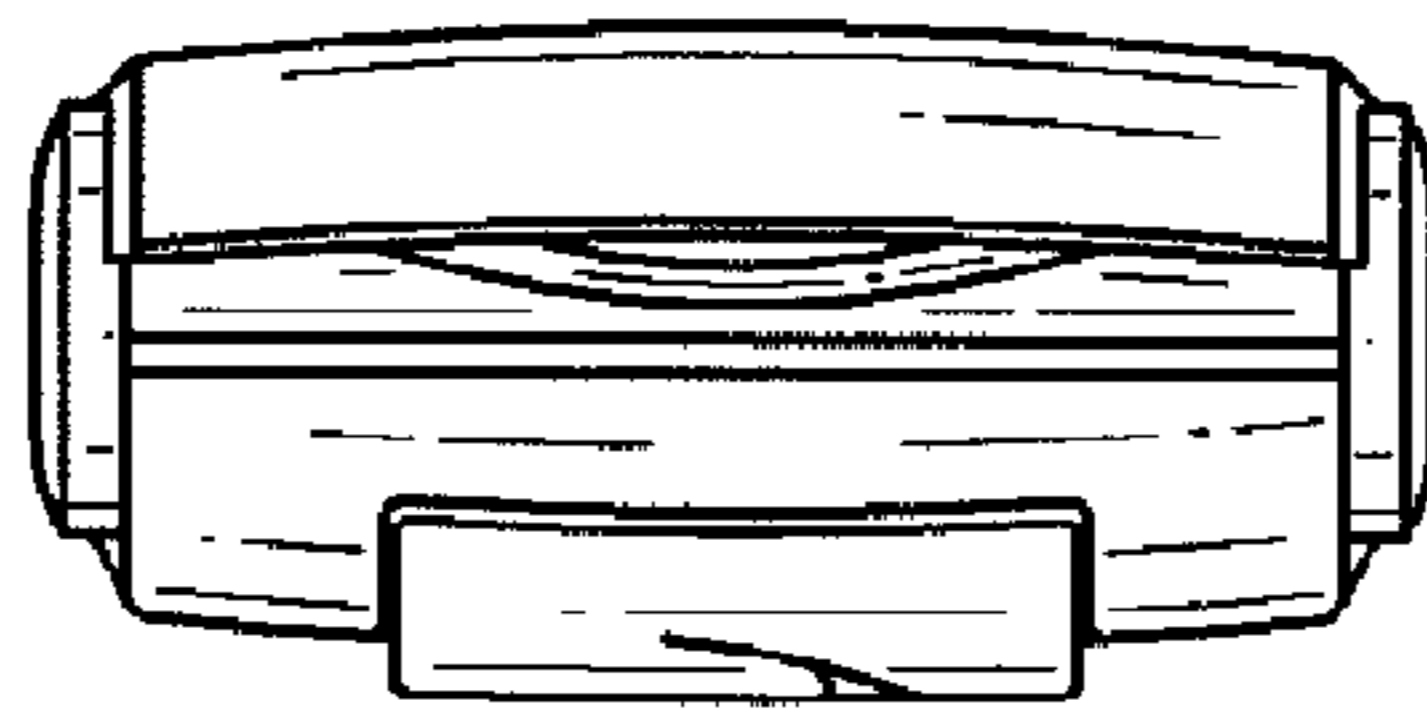


FIG.3

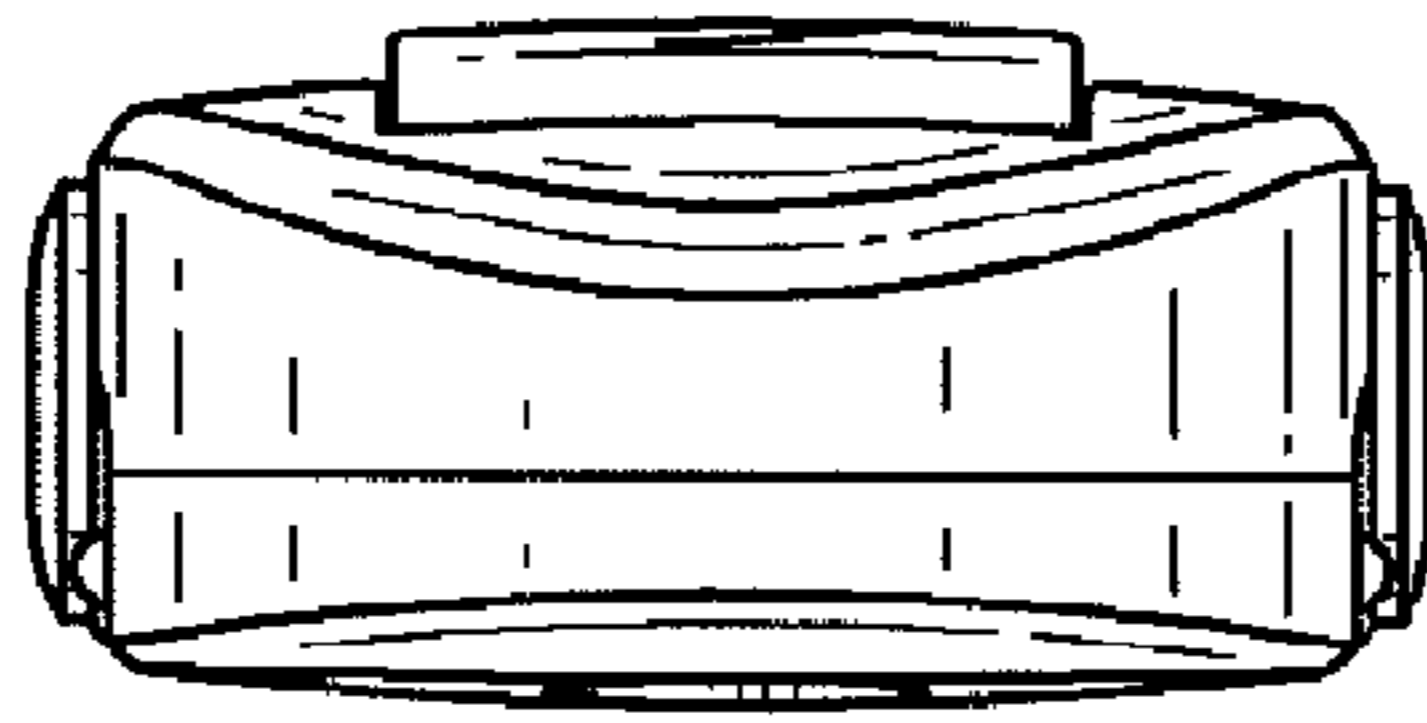


FIG.4

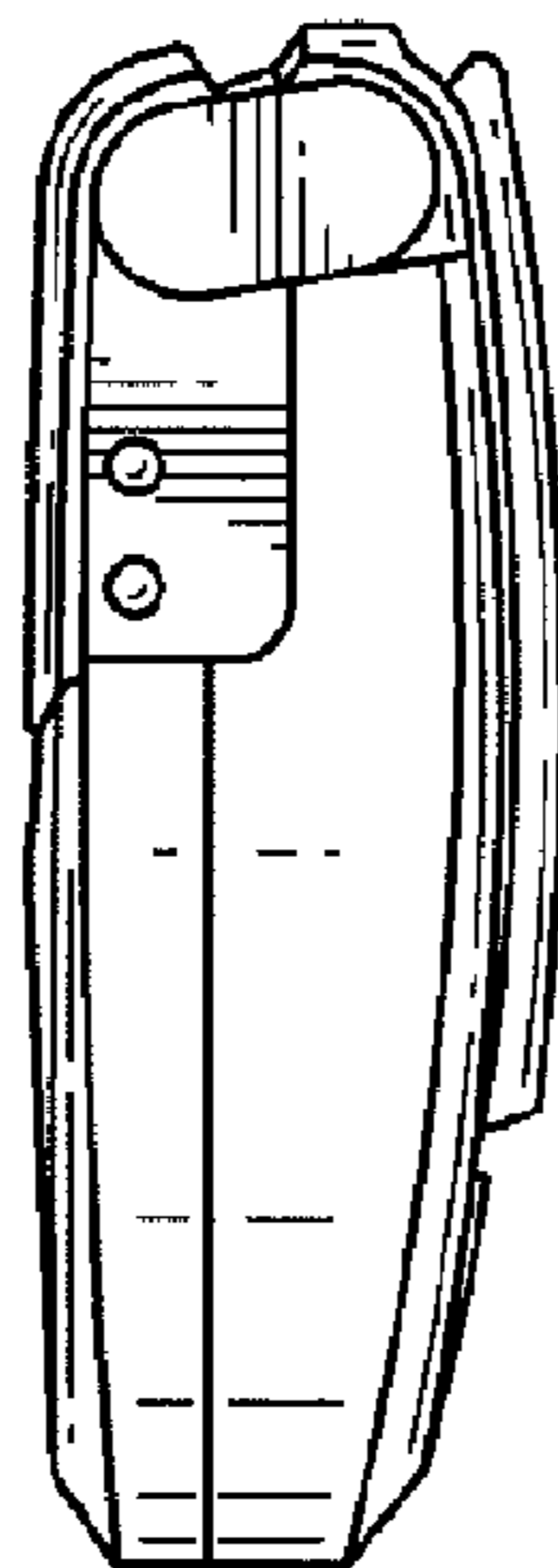


FIG.5

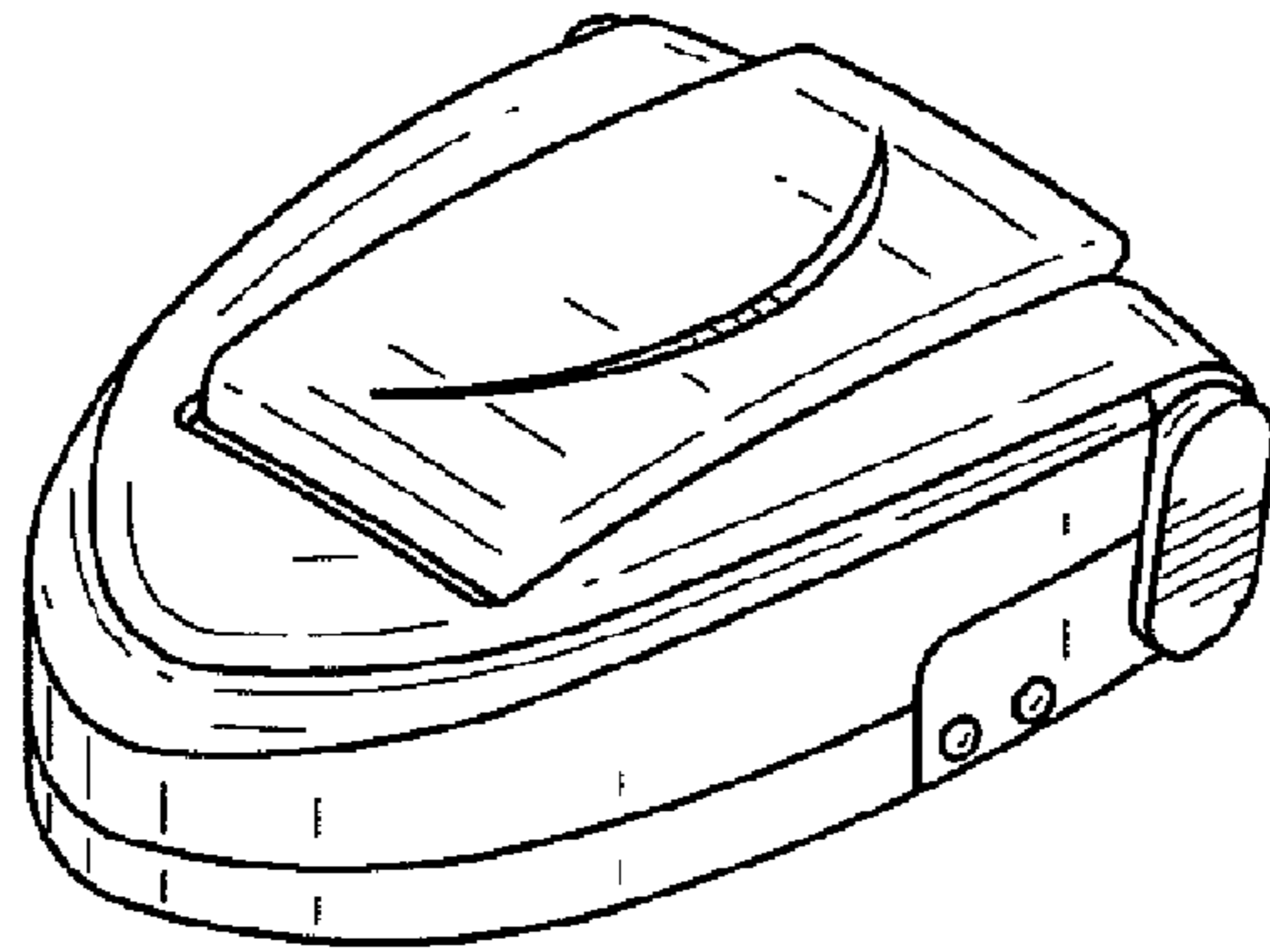


FIG. 6

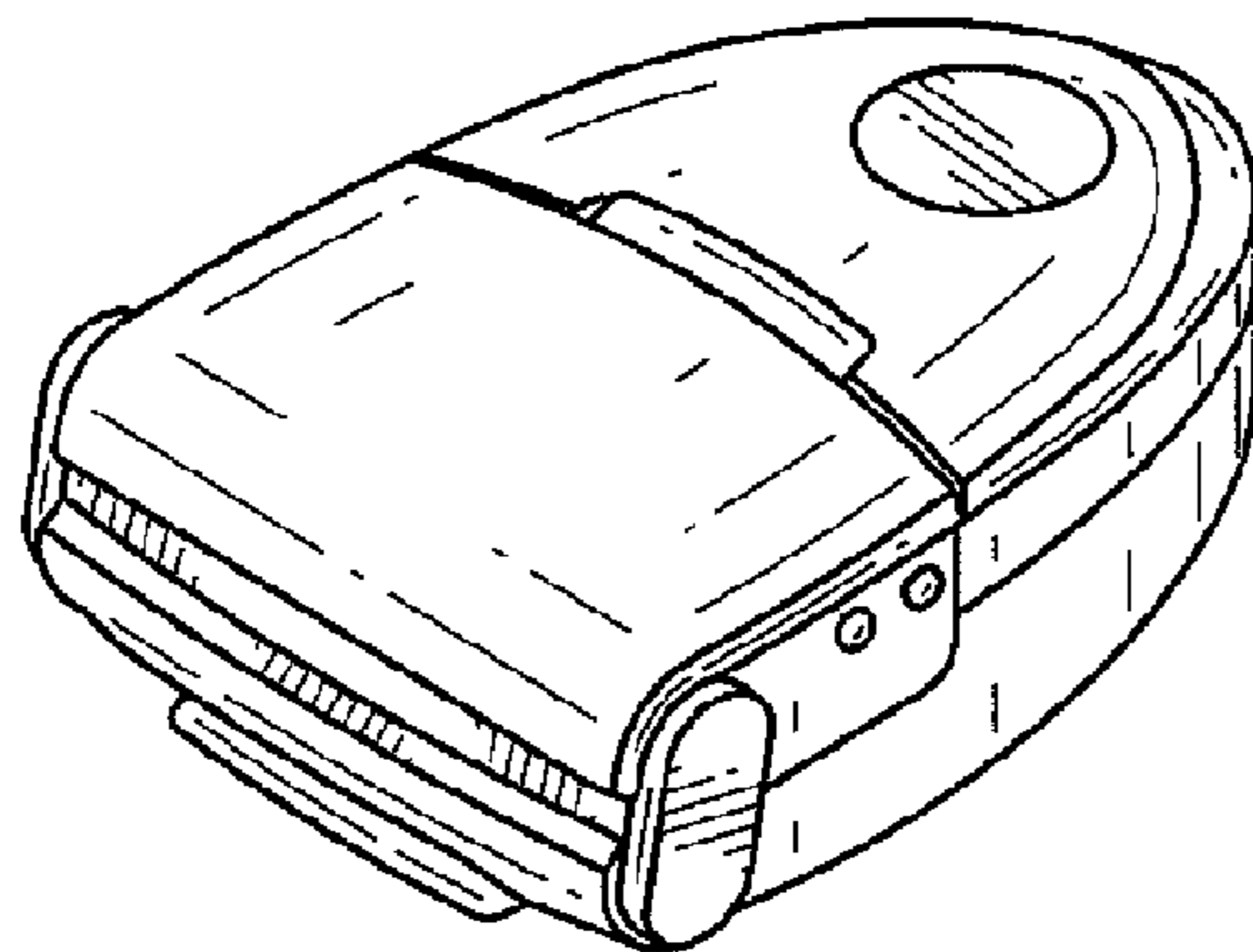


FIG. 7

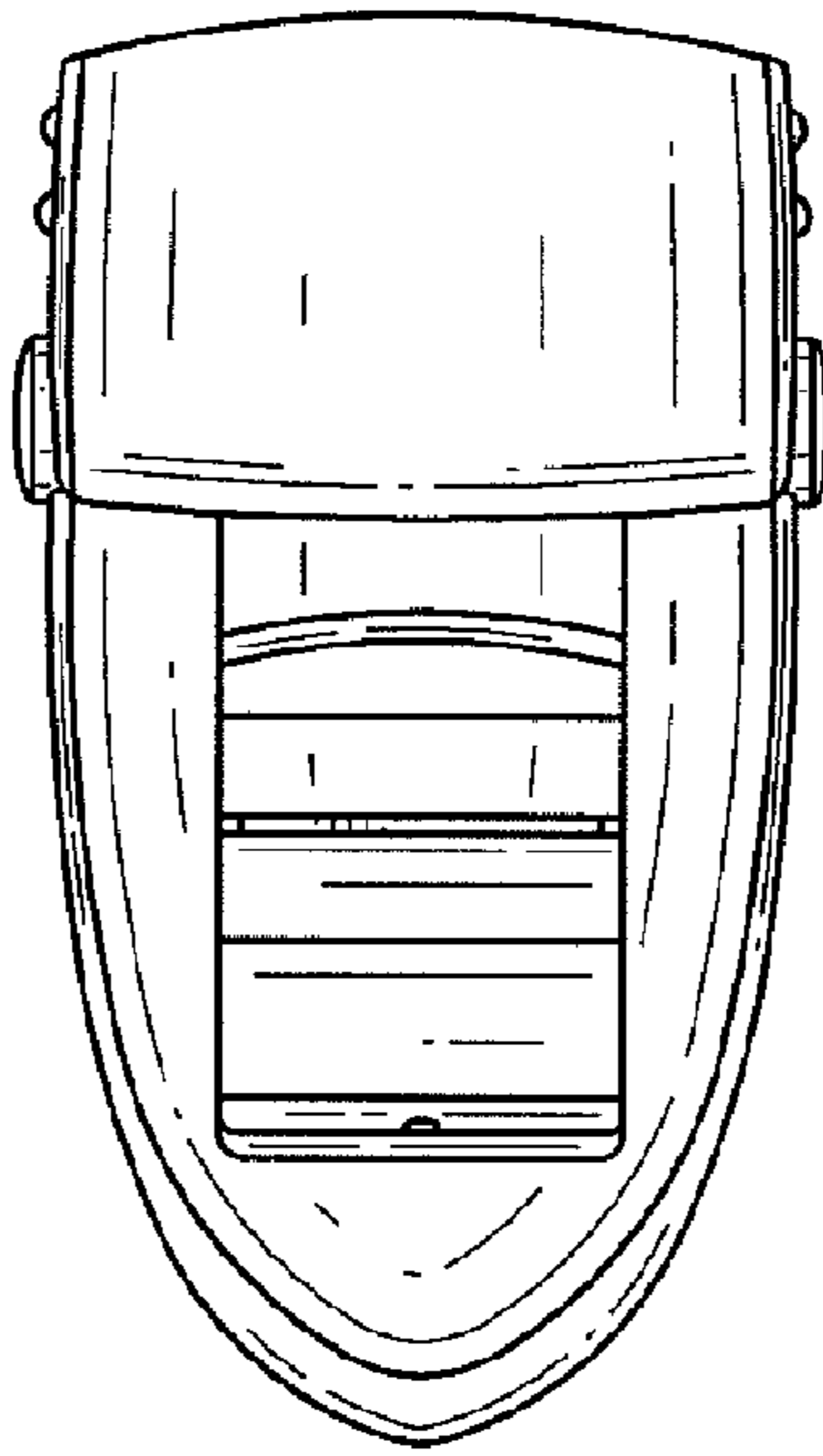


FIG.8

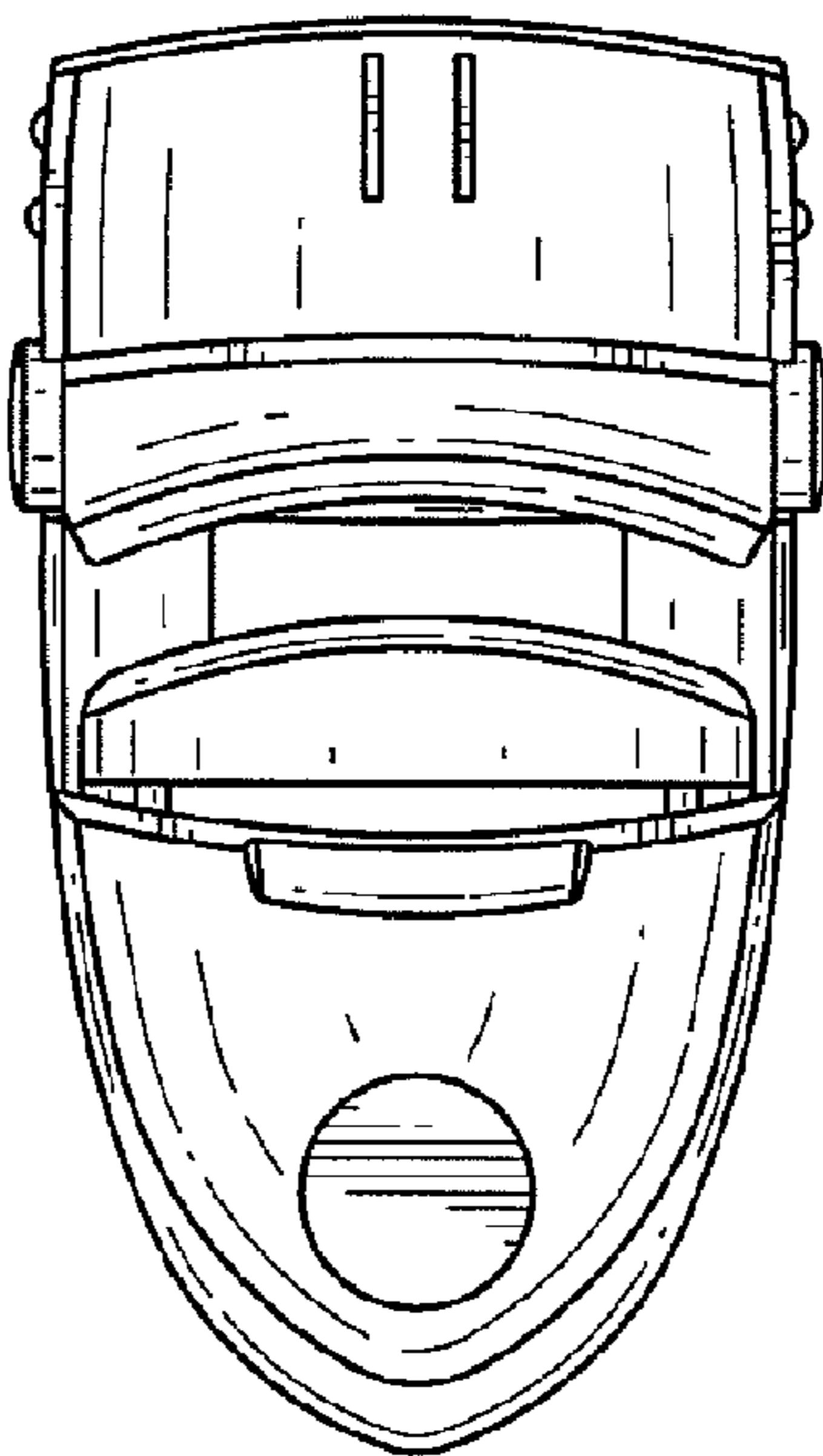


FIG.9

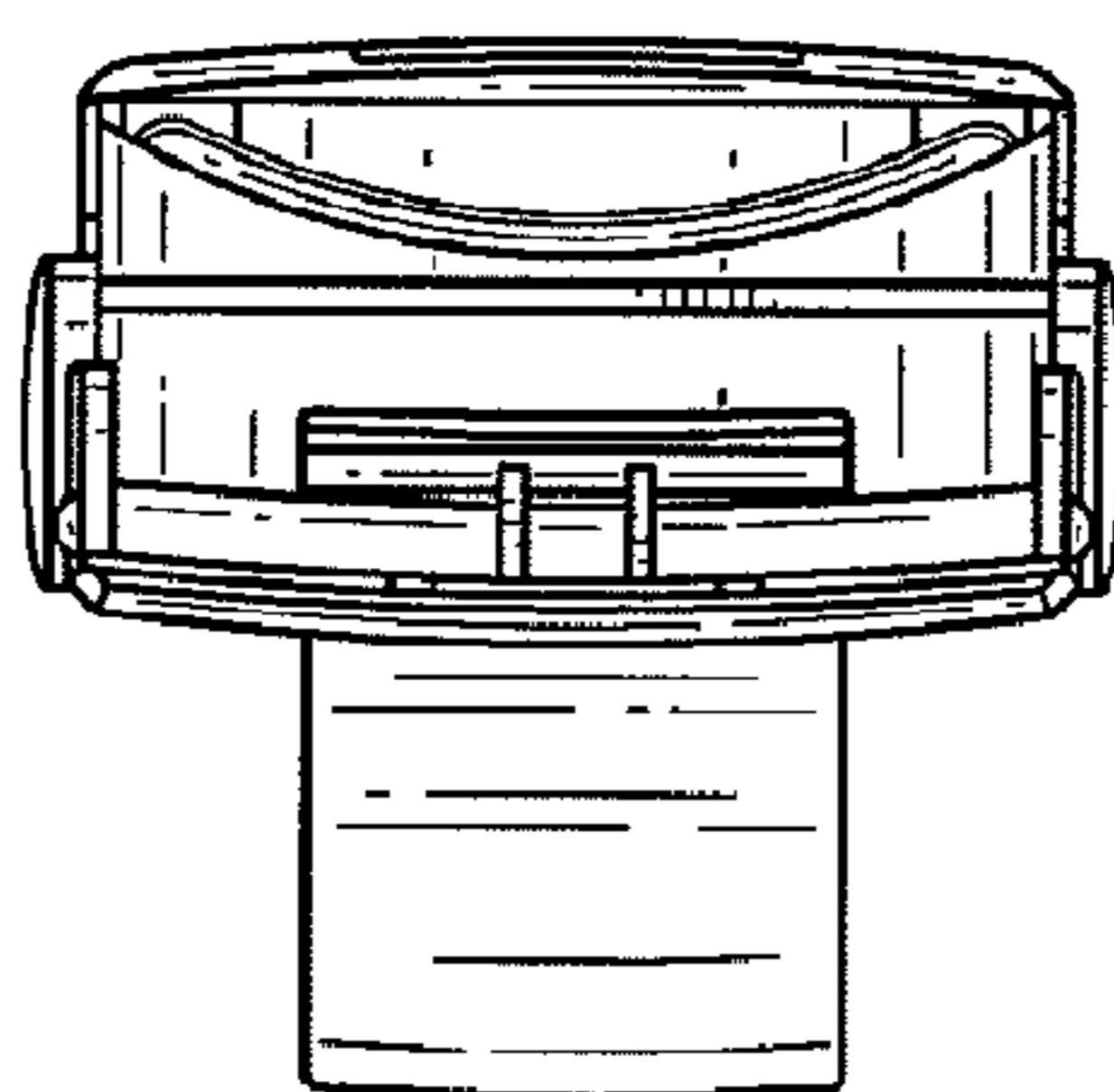


FIG. 10

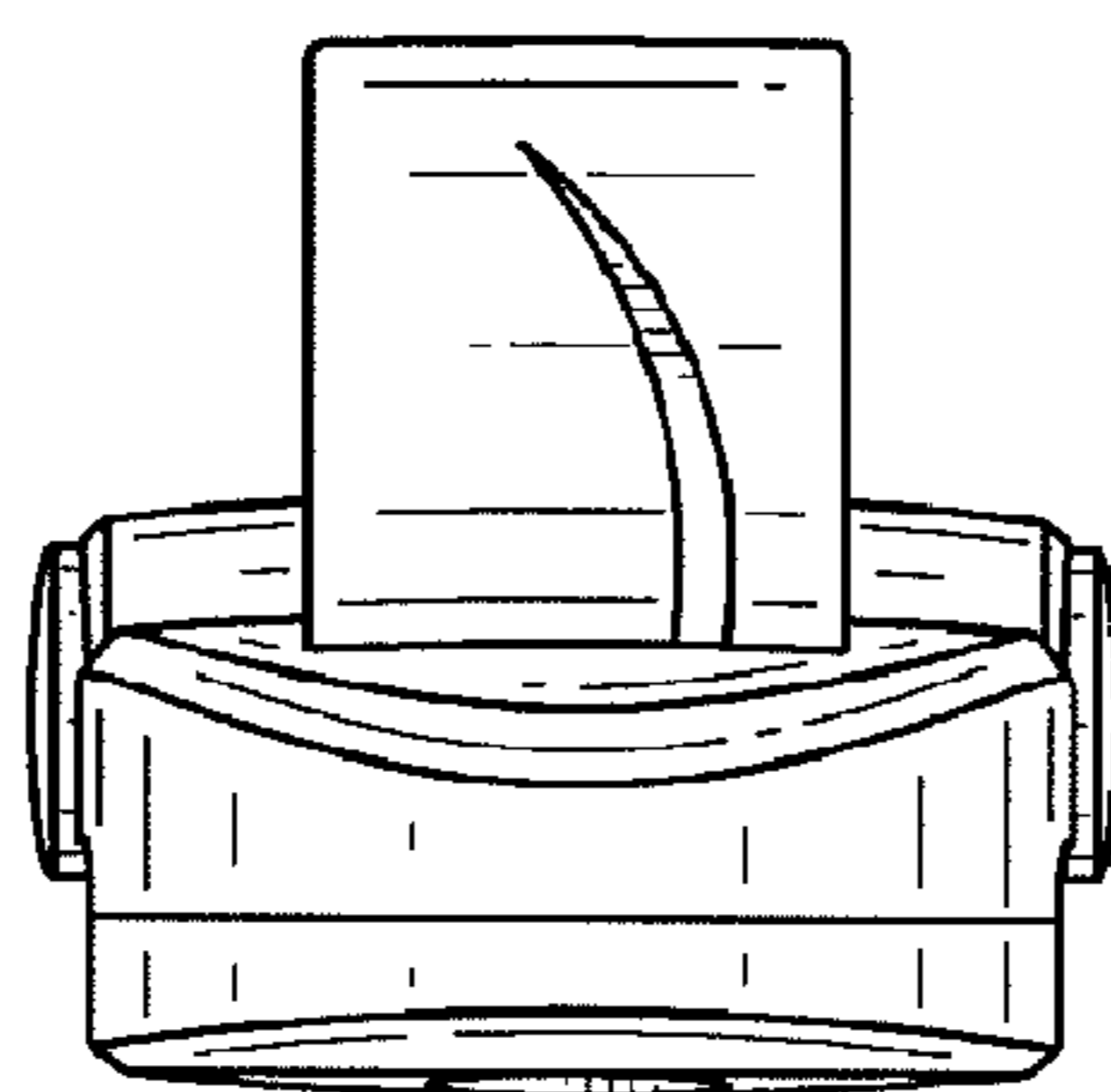


FIG. 11

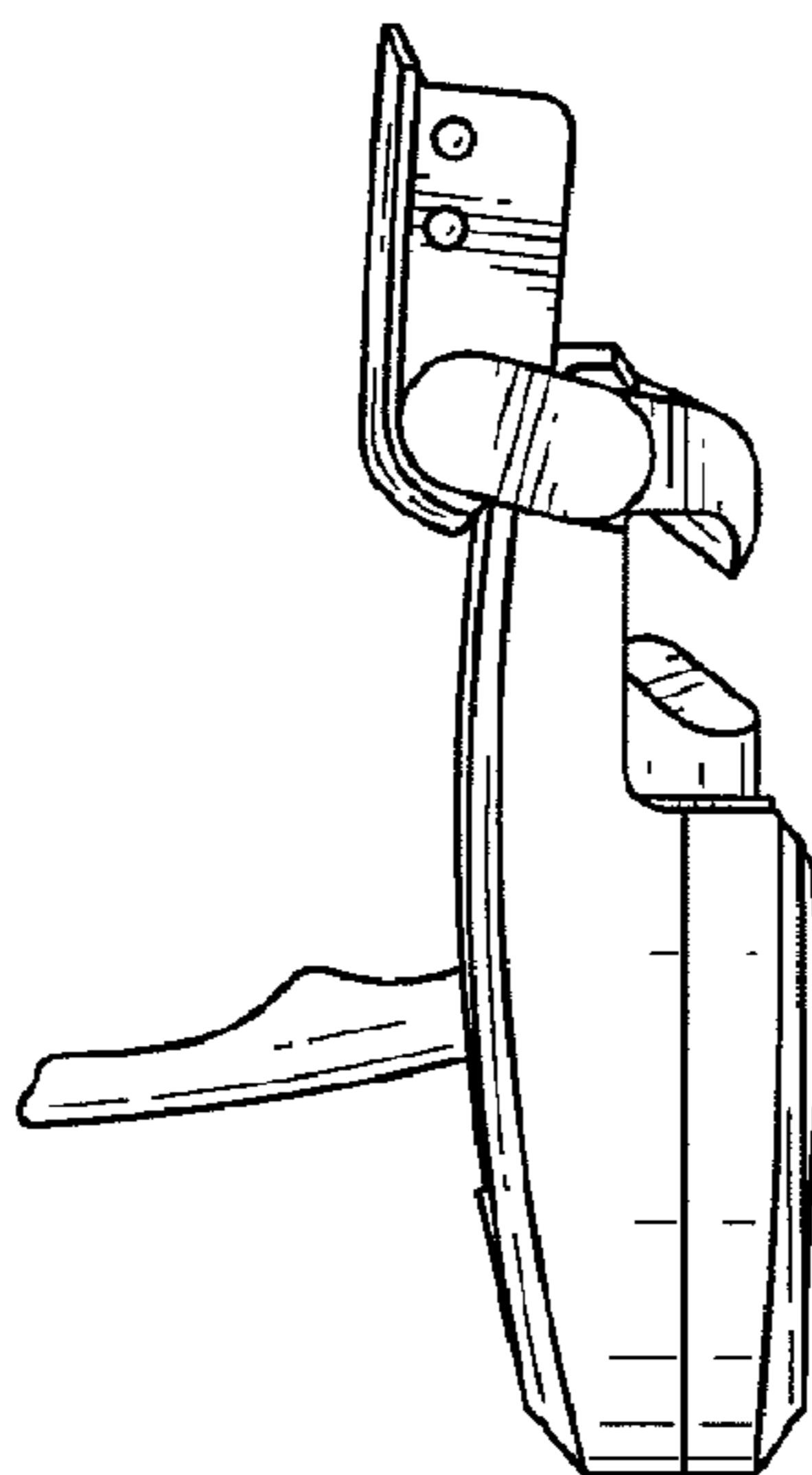


FIG. 12



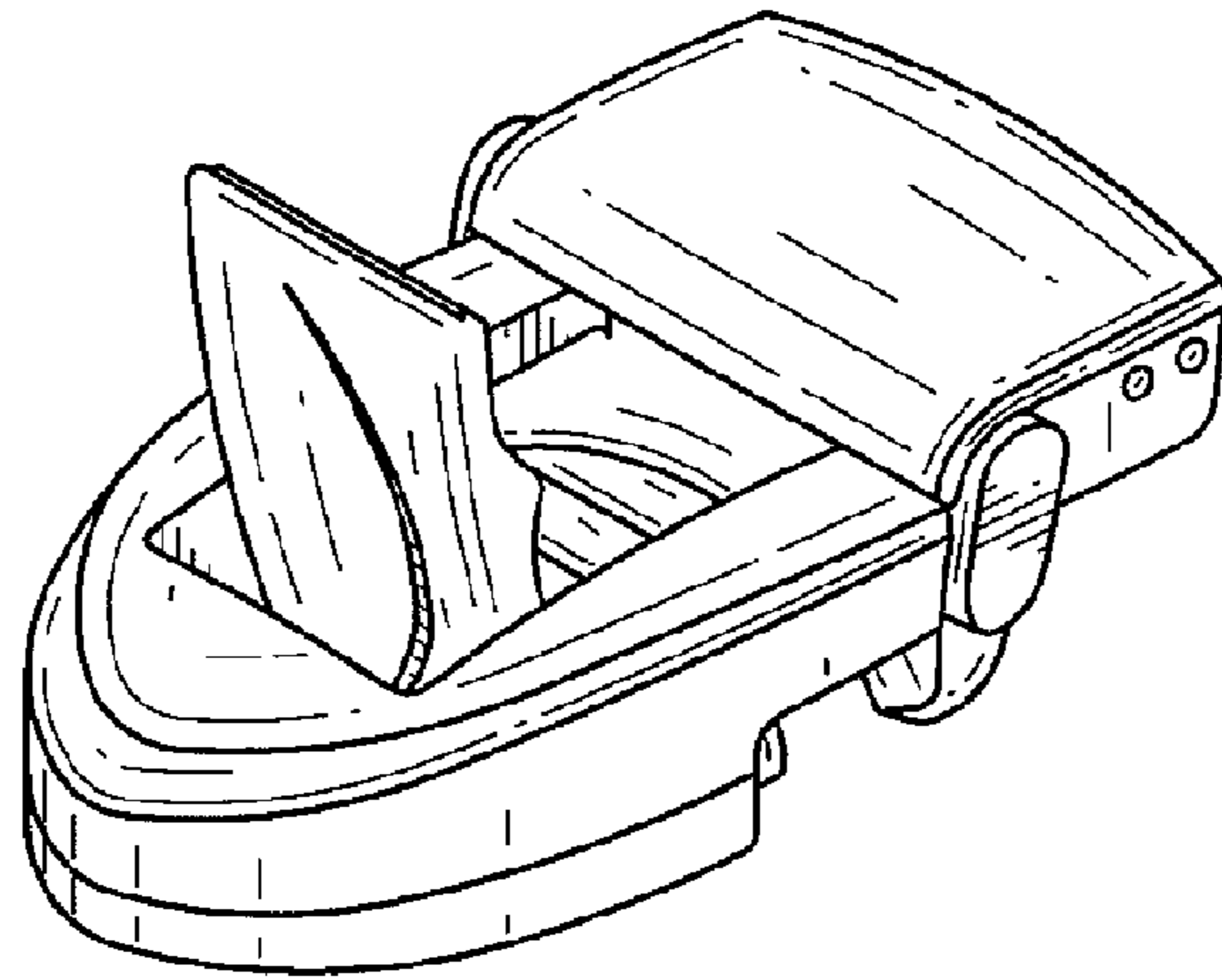


FIG. 13

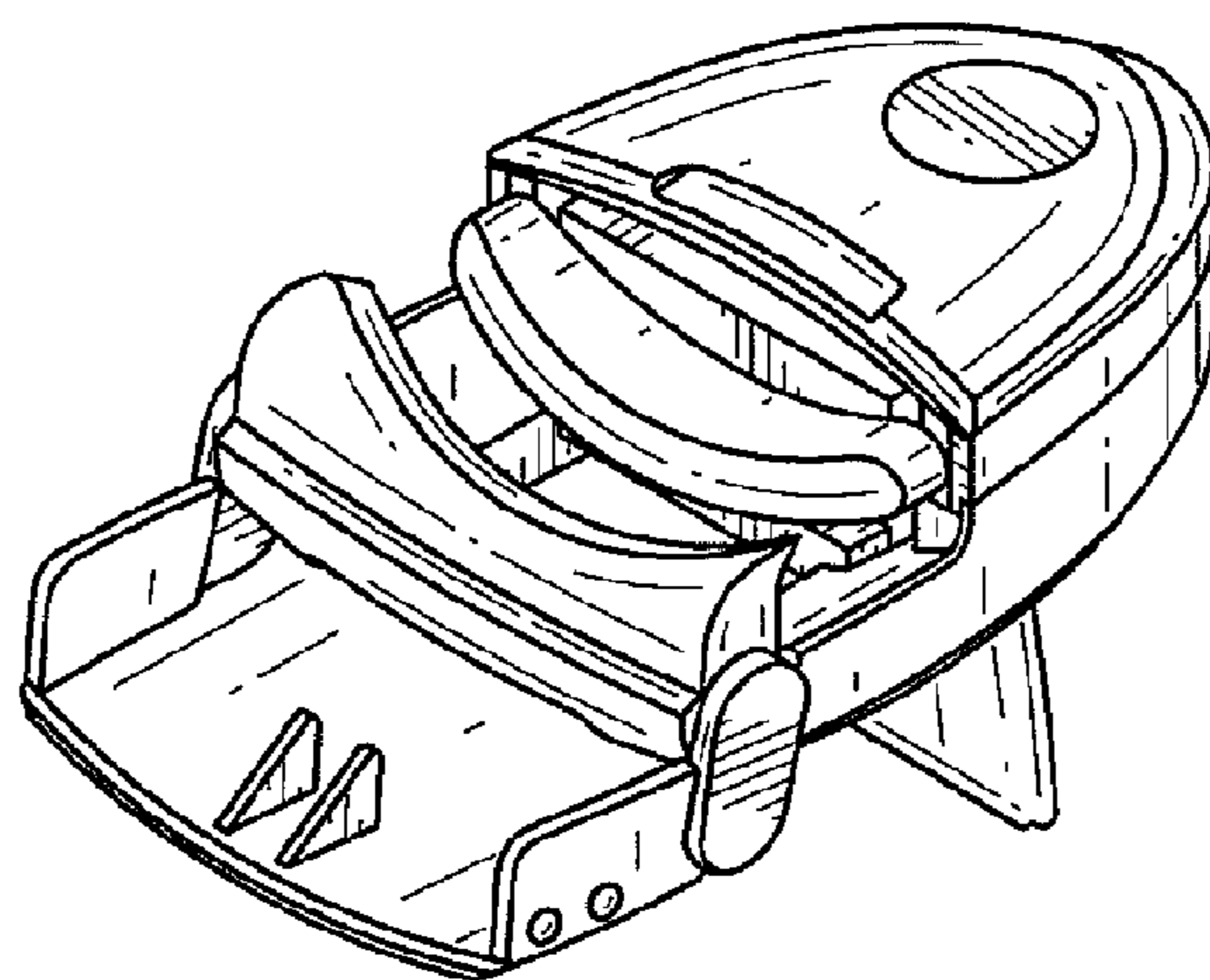


FIG. 14

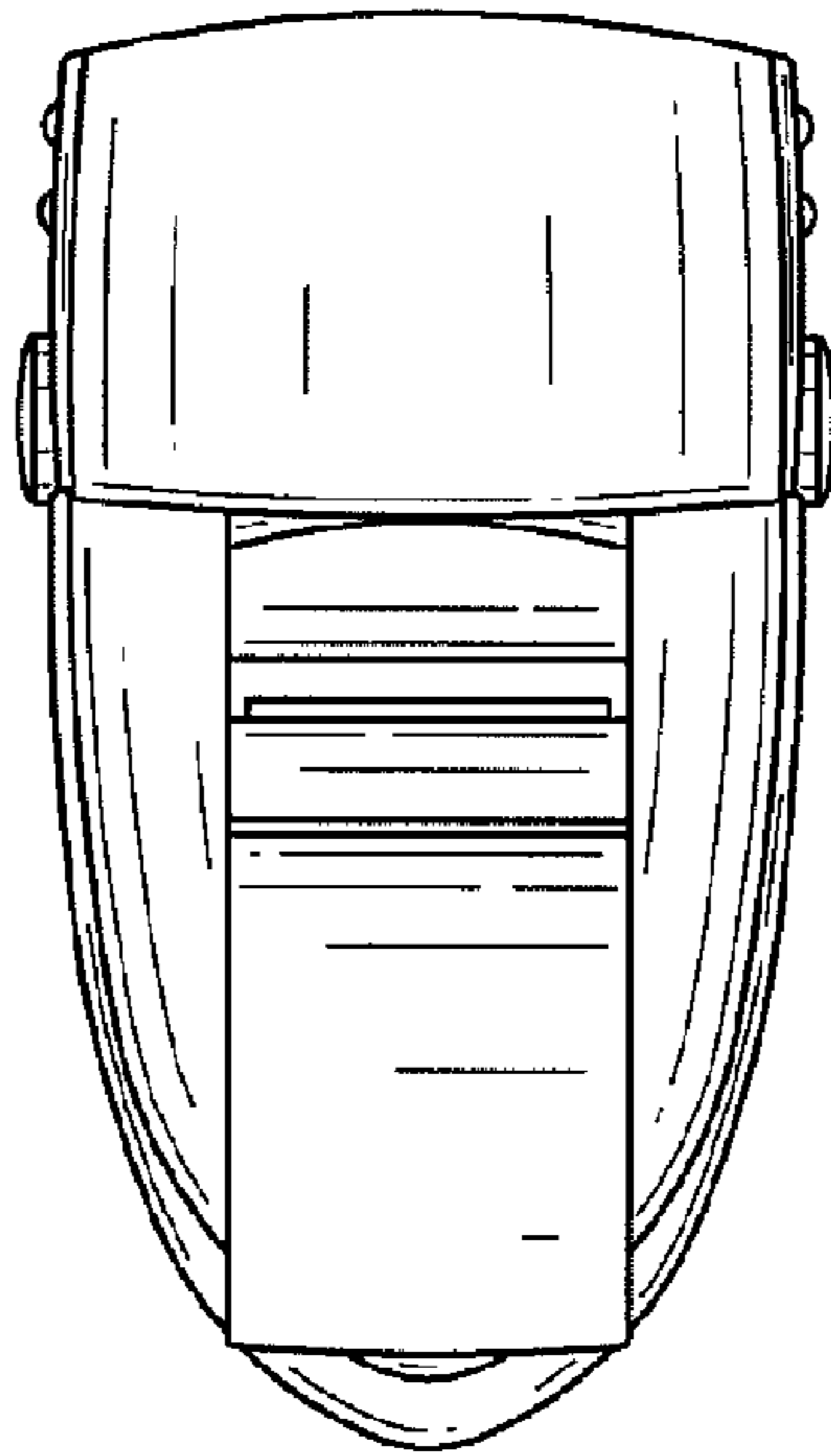


FIG.15

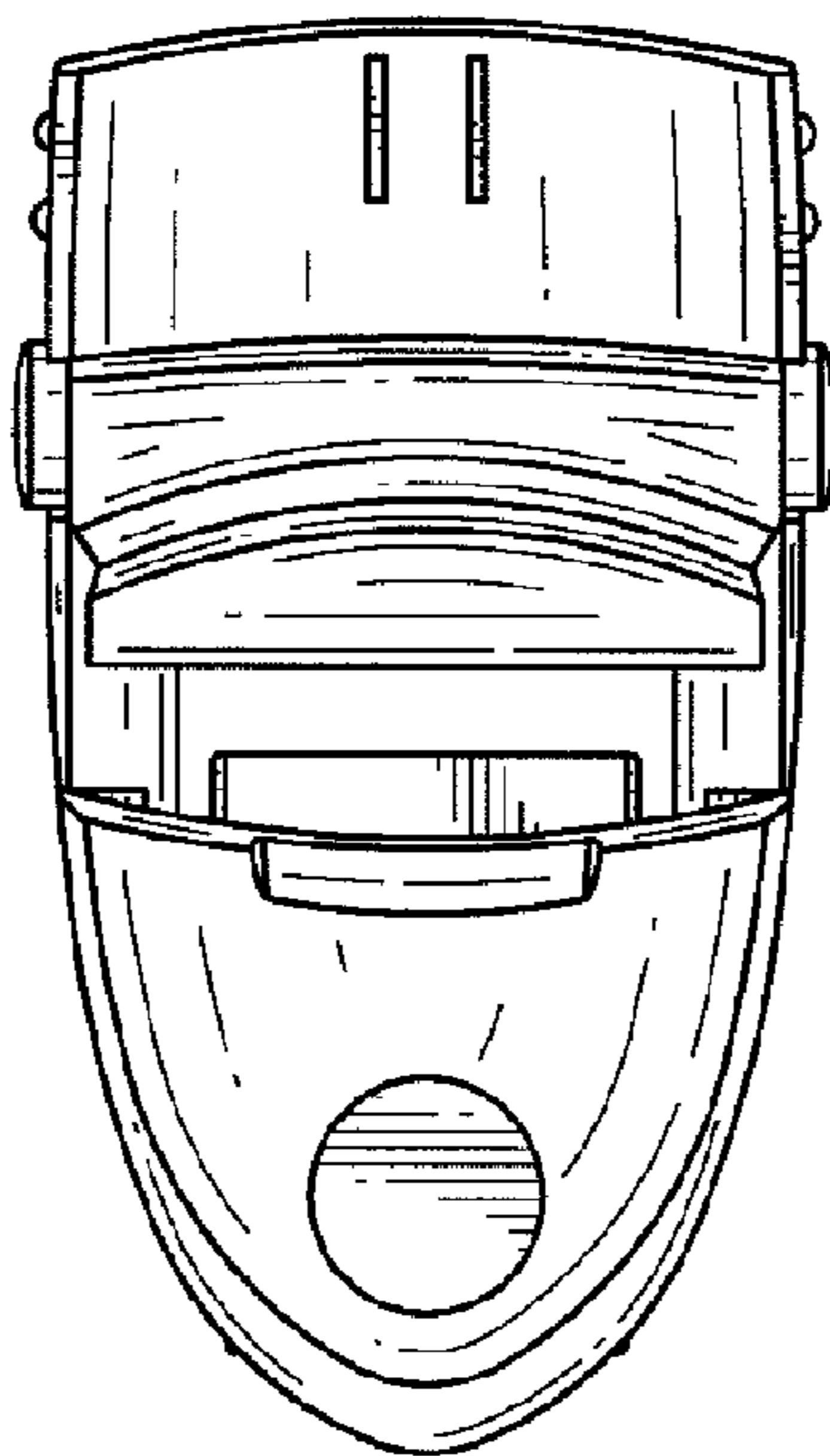


FIG.16



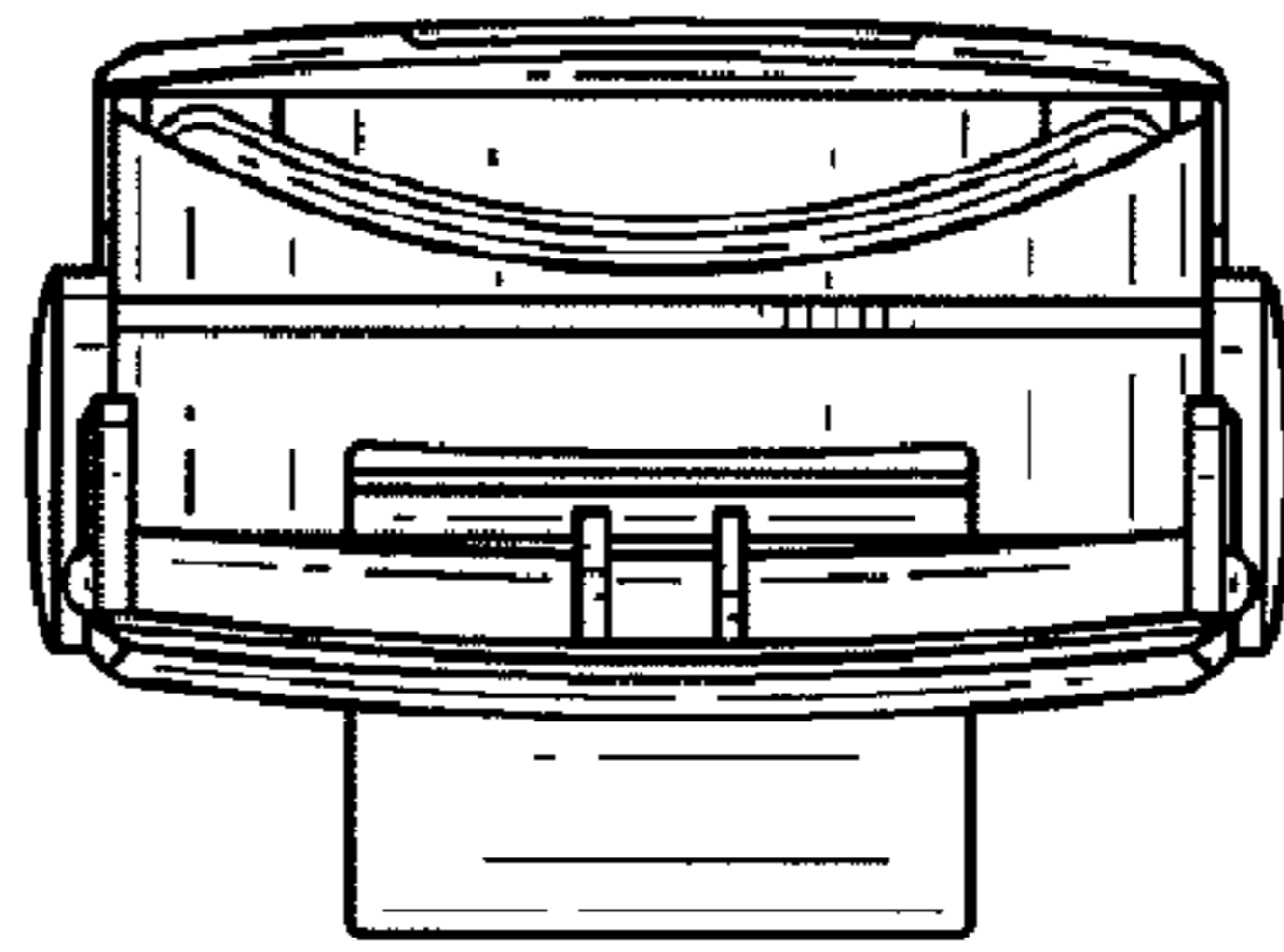


FIG. 17

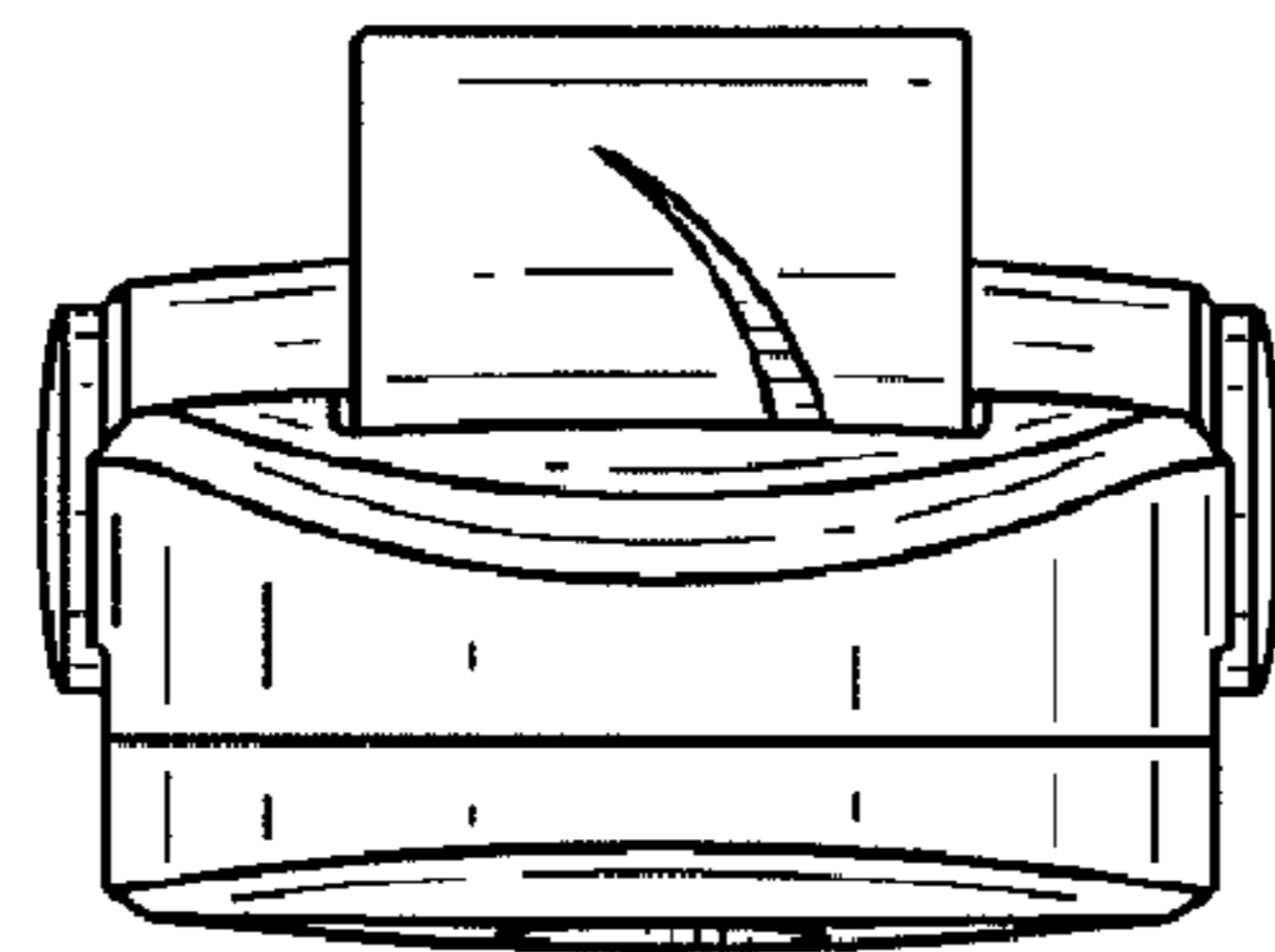


FIG. 18

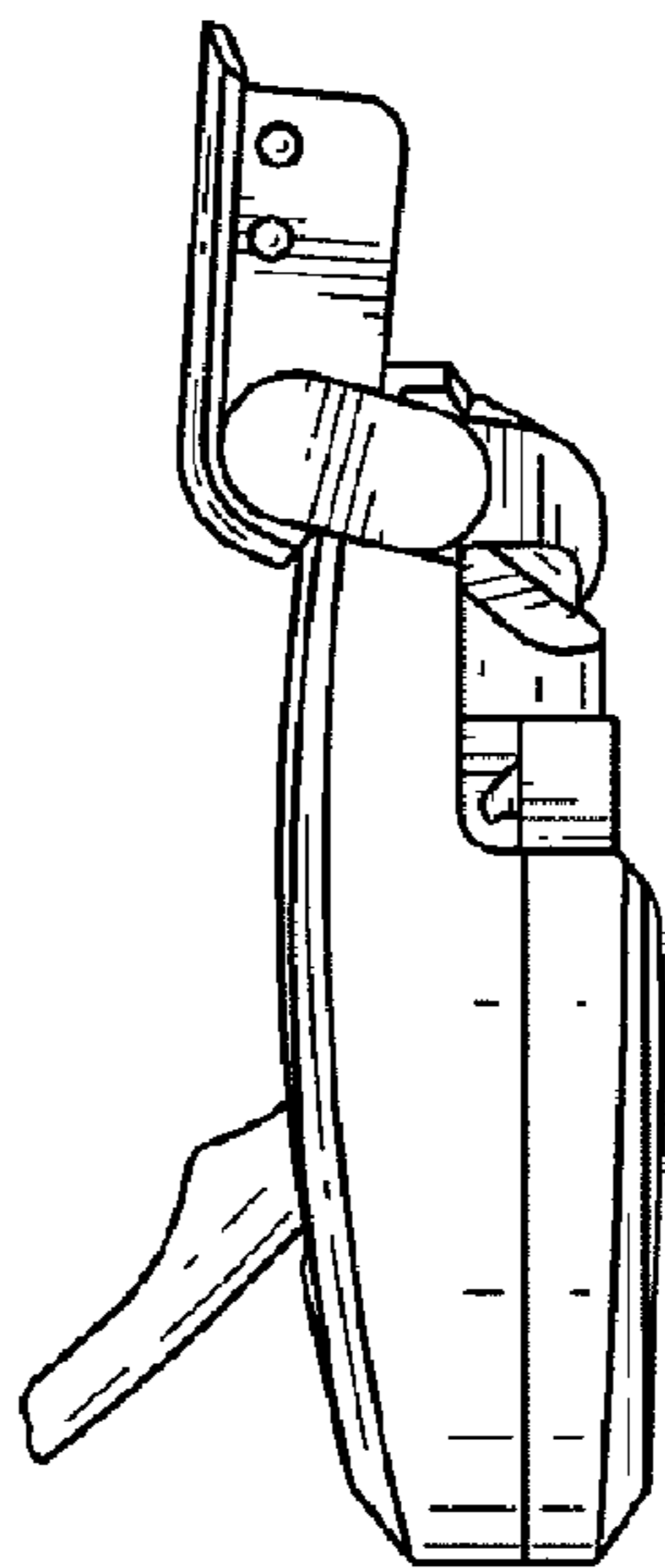


FIG. 19

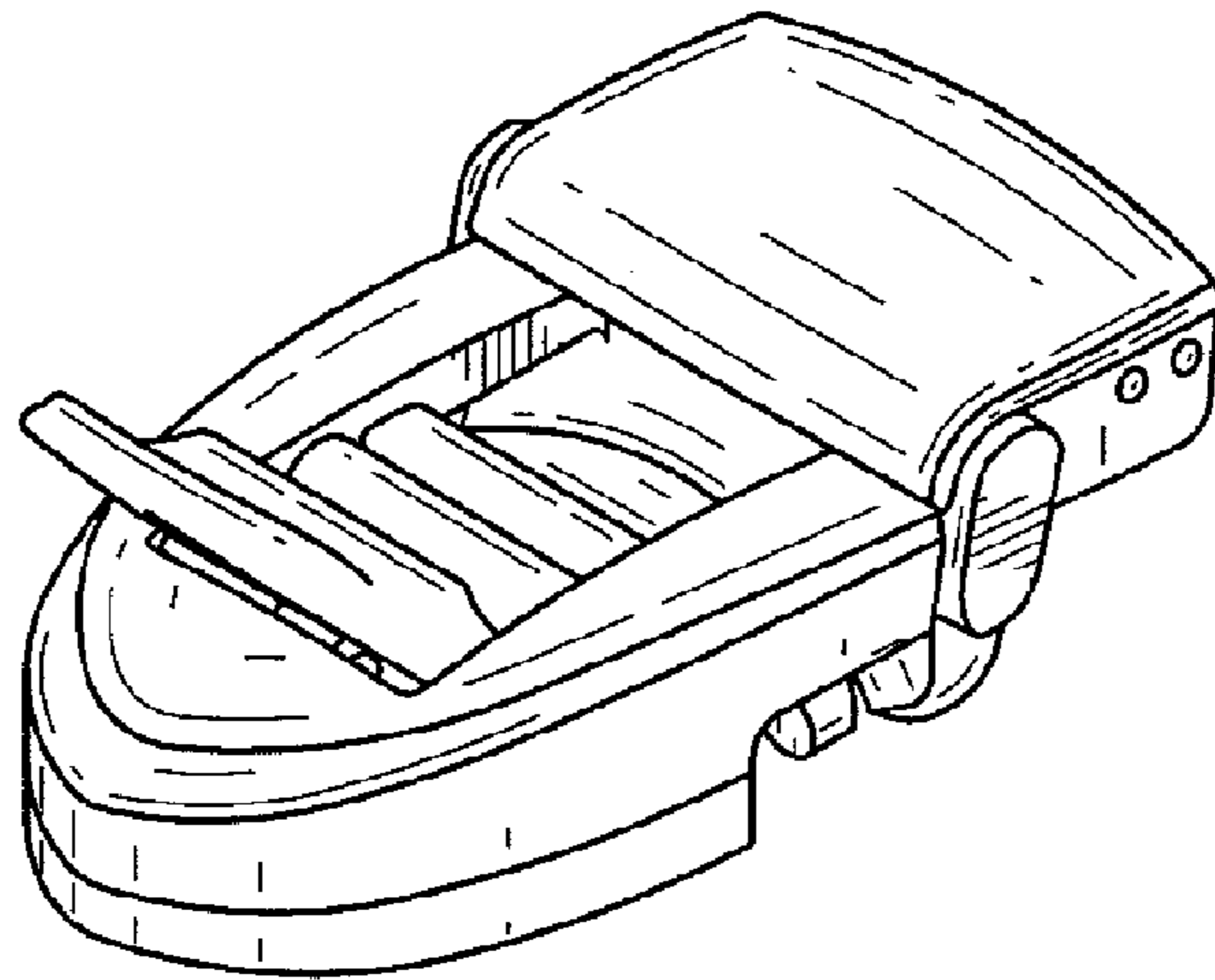


FIG. 20

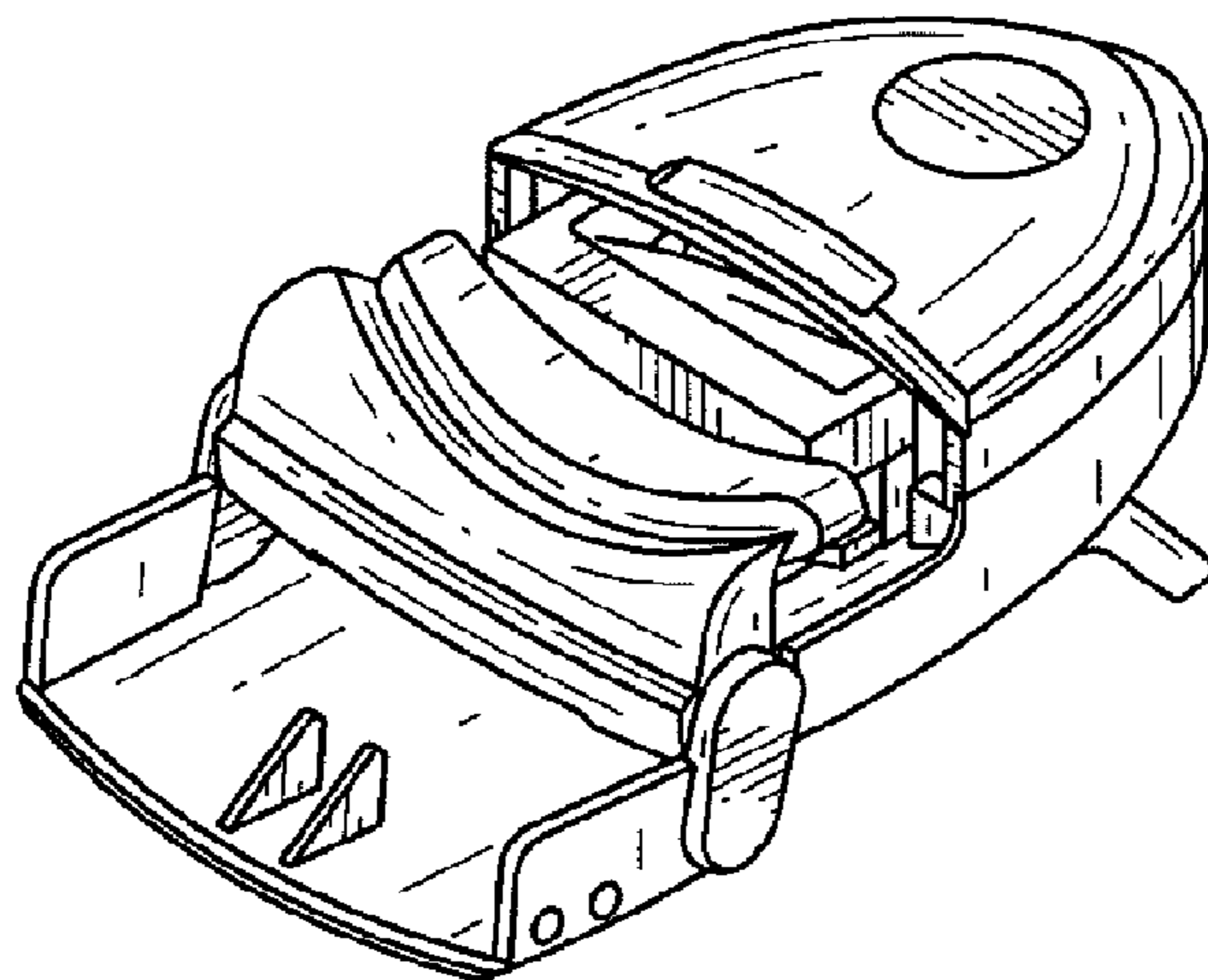


FIG. 21