



US00D581089S

(12) **United States Design Patent**
St-Hilaire

(10) **Patent No.:** **US D581,089 S**

(45) **Date of Patent:** **** Nov. 18, 2008**

(54) **SWIMMING POOL LIGHT COVER**

(76) Inventor: **Normand St-Hilaire**, 1125, 431e
Avenue, St-Hippolyte, Quebec (CA) J8A
3P5

(**) Term: **14 Years**

(21) Appl. No.: **29/289,490**

(22) Filed: **Jul. 23, 2007**

(51) **LOC (8) Cl.** **26-99**

(52) **U.S. Cl.** **D26/118**

(58) **Field of Classification Search** D26/50,
D26/63, 138, 121, 118, 128, 156, 113, 24,
D26/25, 60, 122, 120, 119, 111, 91, 79, 74,
D26/72, 68, 61, 62, 67, 155, 123, 124, 129,
D26/137, 139, 140, 141, 142, 150, 151, 152,
D26/153; 362/153, 153.1, 427, 261, 346,
362/121, 147, 277, 285, 319, 320, 351, 356,
362/359, 364, 365

See application file for complete search history.

(56) **References Cited**

U.S. PATENT DOCUMENTS

D115,970 S * 8/1939 Stewart D26/124
4,539,629 A * 9/1985 Poppenheimer 362/267
D308,110 S * 5/1990 Ziaylek, Jr. D26/36

4,999,757 A * 3/1991 Poppenheimer 362/287
5,051,875 A * 9/1991 Johnson 362/101
5,842,771 A * 12/1998 Thrasher et al. 362/101
D428,155 S * 7/2000 Chalberg et al. D24/204
D437,654 S * 2/2001 Chen D26/74
D457,677 S * 5/2002 Landefeld et al. D26/67
7,125,146 B2 * 10/2006 Willis et al. 362/267

* cited by examiner

Primary Examiner—Freda S. Nunn

Assistant Examiner—Kevin K Rudzinski

(74) *Attorney, Agent, or Firm*—Eric Fincham

(57) **CLAIM**

An ornamental design for a swimming pool light cover, as shown and described.

DESCRIPTION

FIG. 1 is a perspective view of the swimming pool light cover;

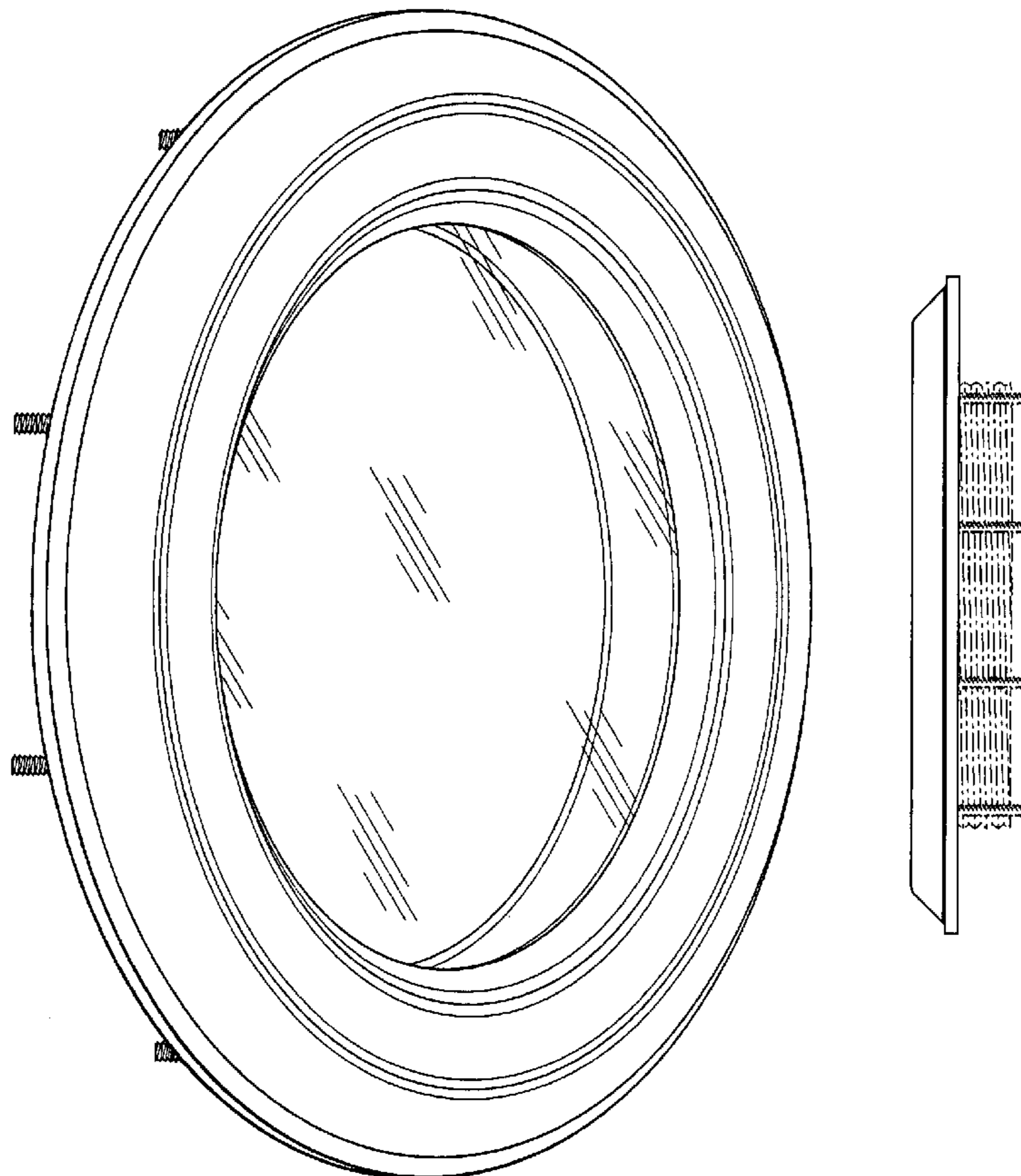
FIG. 2 is a front elevation view thereof;

FIG. 3 is a right side elevation view, the left side elevation view being a mirror image thereof;

FIG. 4 is a rear elevation view thereof; and,

FIG. 5 is a top plan view, the bottom plan view being a mirror image thereof.

1 Claim, 2 Drawing Sheets



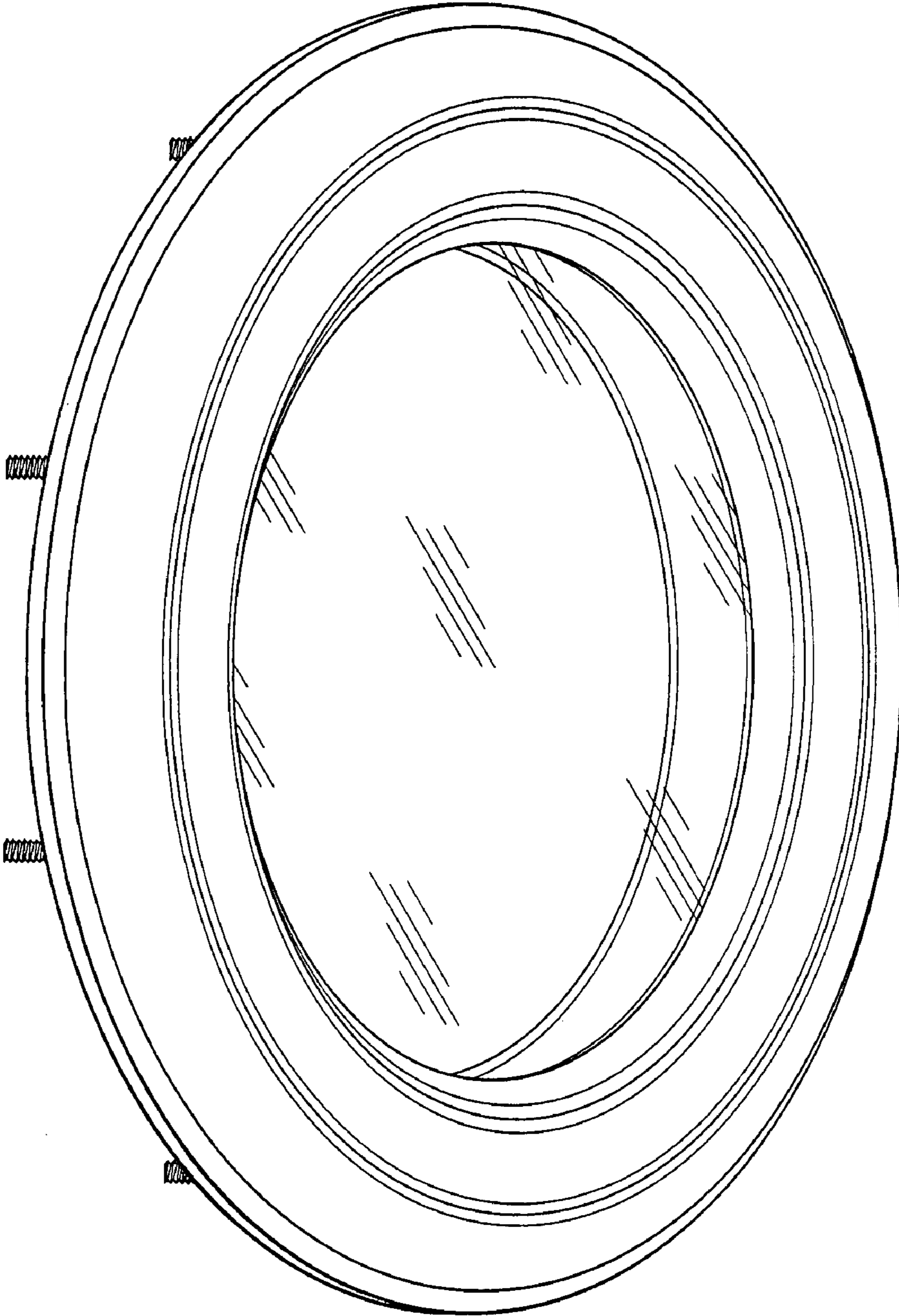


FIG. 1

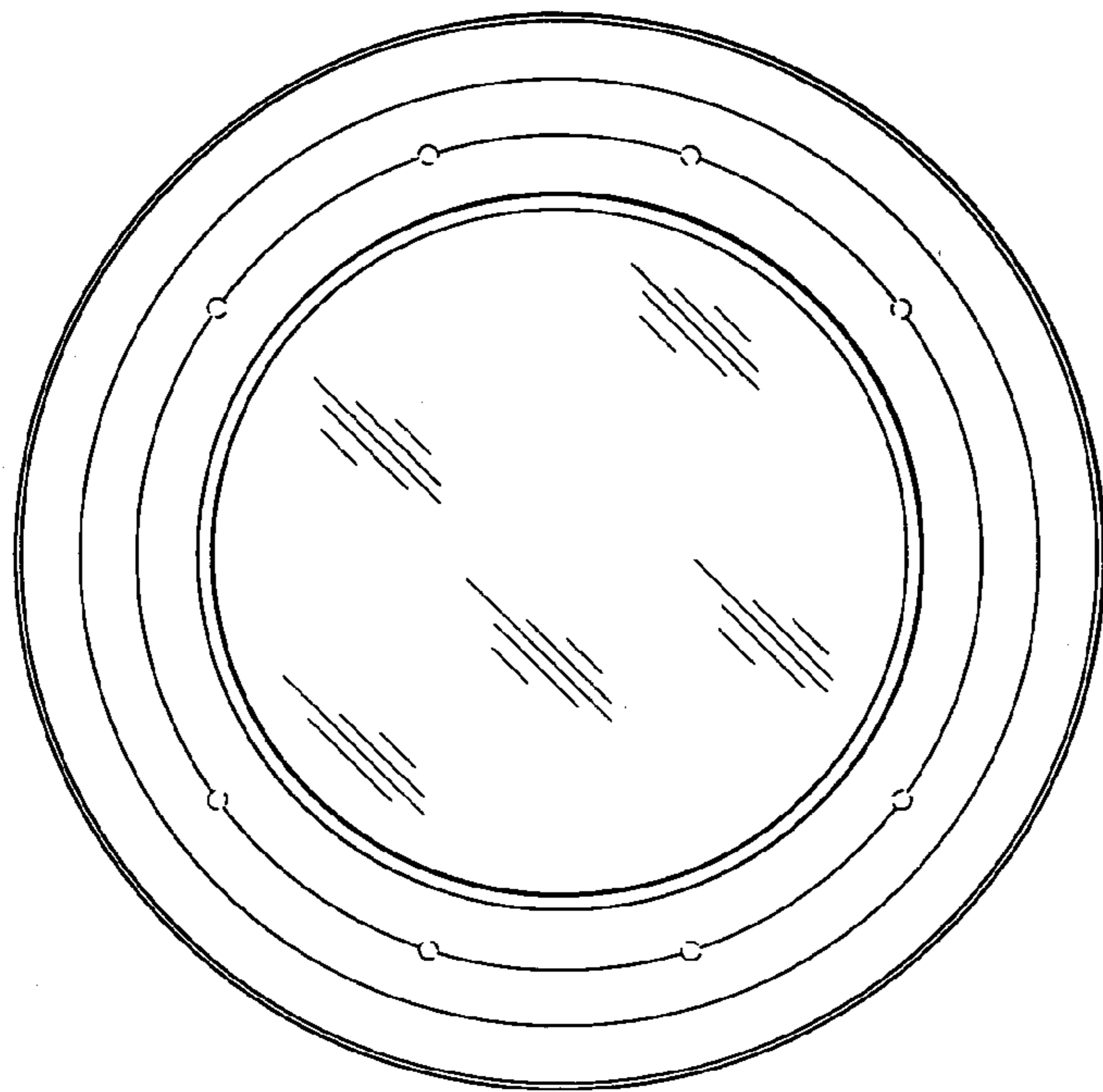


FIG. 4

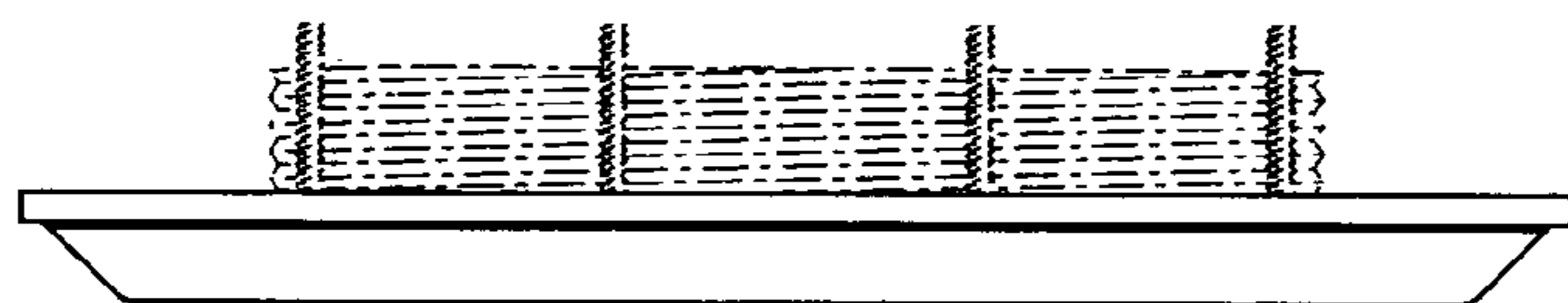


FIG. 3

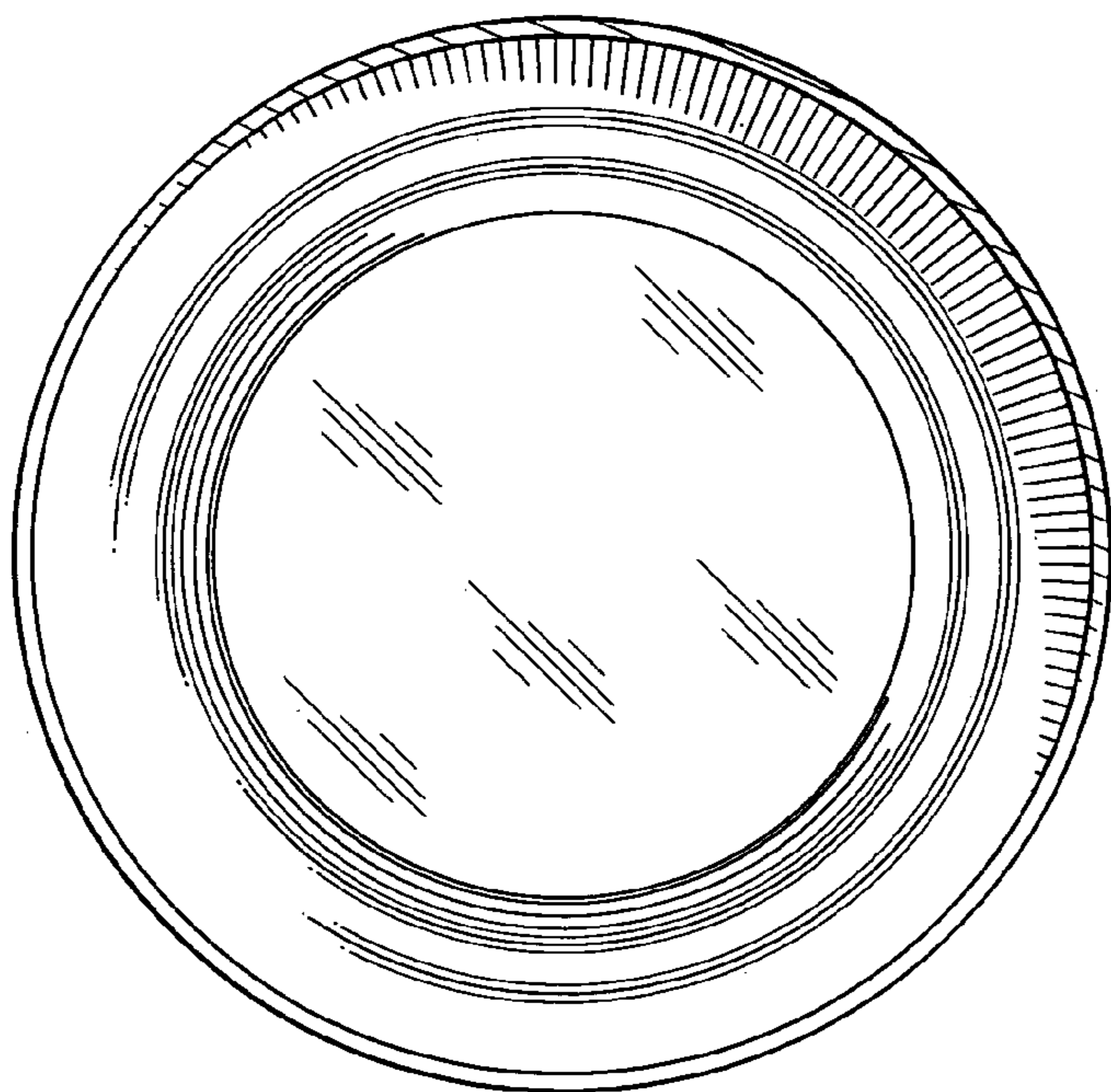


FIG. 2

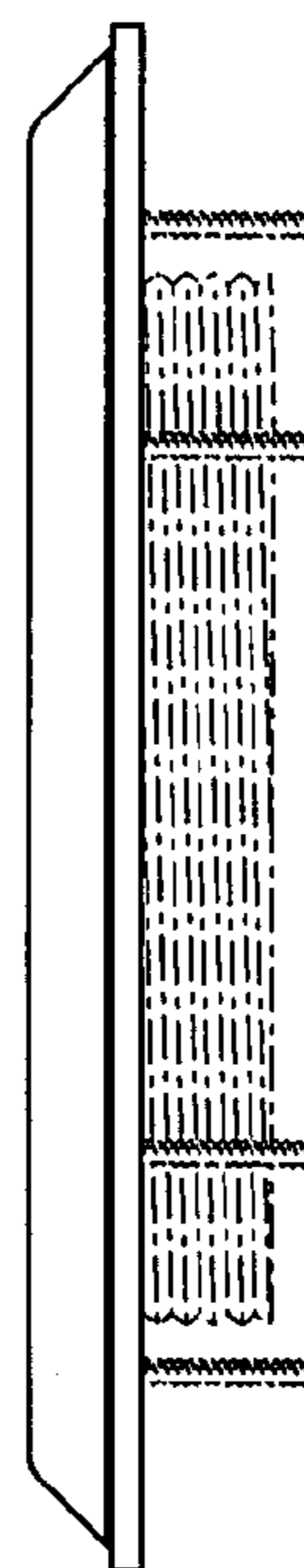


FIG. 5