



US00D581088S

(12) **United States Design Patent**
Yando

(10) **Patent No.:** **US D581,088 S**

(45) **Date of Patent:** **** Nov. 18, 2008**

(54) **LAMP**

D464,763 S * 10/2002 Hsu D26/108
D544,135 S * 6/2007 Ke D26/106

(75) Inventor: **Roslyn Yando**, Brainardsville, NY (US)

* cited by examiner

(73) Assignee: **Schonbek Worldwide Lighting, Inc.**,
Plattsburgh, NY (US)

Primary Examiner—Brian N Vinson

(74) *Attorney, Agent, or Firm*—Heslin Rothenberg Farley &
Mesiti P.C.

(**) Term: **14 Years**

(21) Appl. No.: **29/302,466**

(57) **CLAIM**

(22) Filed: **Jan. 17, 2008**

The ornamental design for a lamp, as shown and described.

(51) **LOC (8) Cl.** **26-03**

(52) **U.S. Cl.** **D26/106**

(58) **Field of Classification Search** D26/24,
D26/93, 106, 108, 155; D11/131, 143, 152;
362/122, 154, 255, 257, 317, 362, 382, 457,
362/458, 806, 808

DESCRIPTION

This application is related to commonly assigned, concurrently filed application Ser. No. 29/302,464.

See application file for complete search history.

FIG. 1 is an isometric view of the lamp of the present design
FIG. 2 is a front elevation view thereof, the rear elevation view
being identical thereto;

FIG. 3 is a right side elevation view thereof, the left side
elevation view being identical thereto; and,

FIG. 4 is a top plan view thereof.

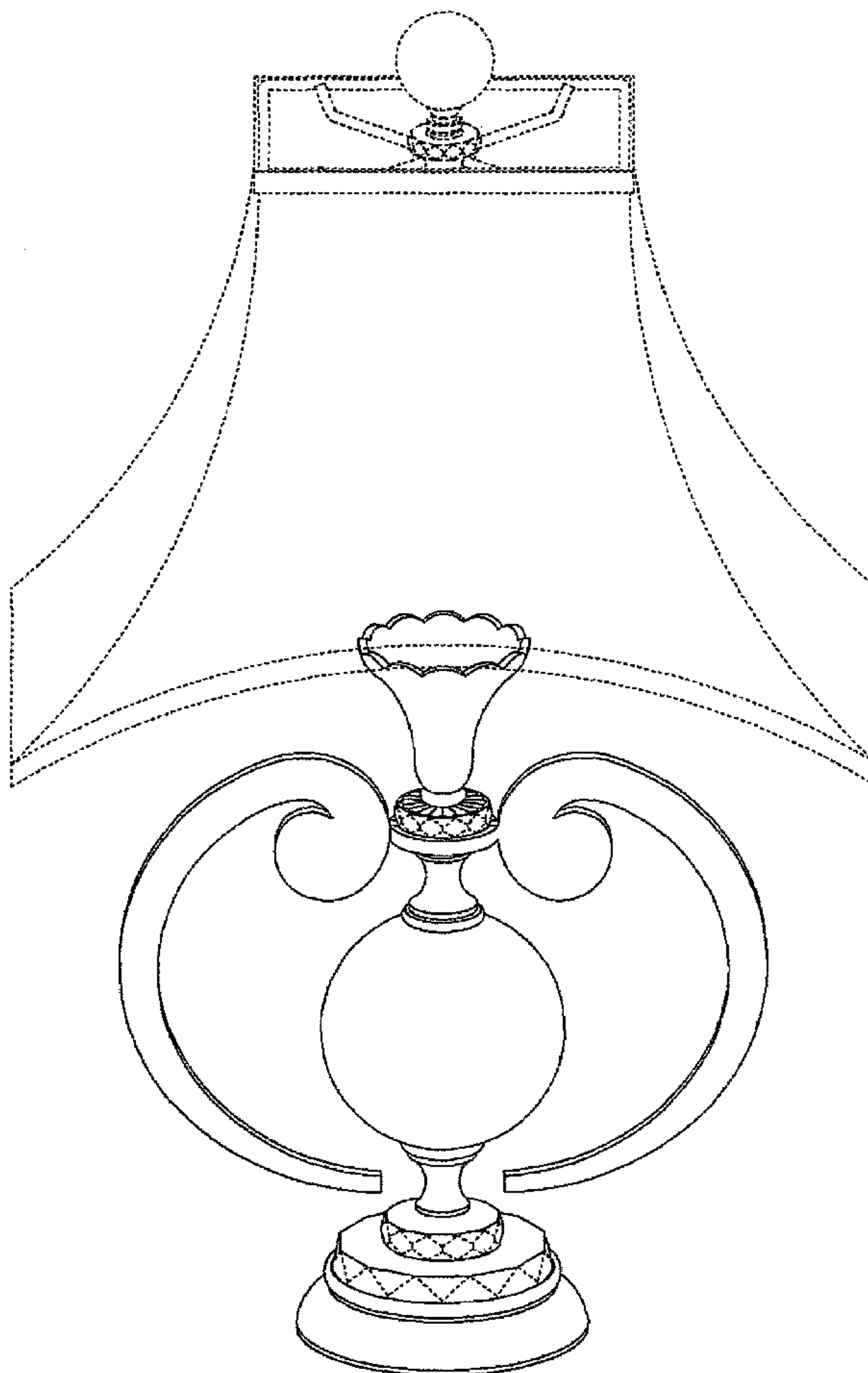
The broken line shown is for illustrative purposes only and
forms no part of the claimed invention.

(56) **References Cited**

U.S. PATENT DOCUMENTS

D447,594 S * 9/2001 Orozco D26/106
D451,233 S * 11/2001 Dolan D26/106
D464,165 S * 10/2002 Hsu D26/108

1 Claim, 4 Drawing Sheets



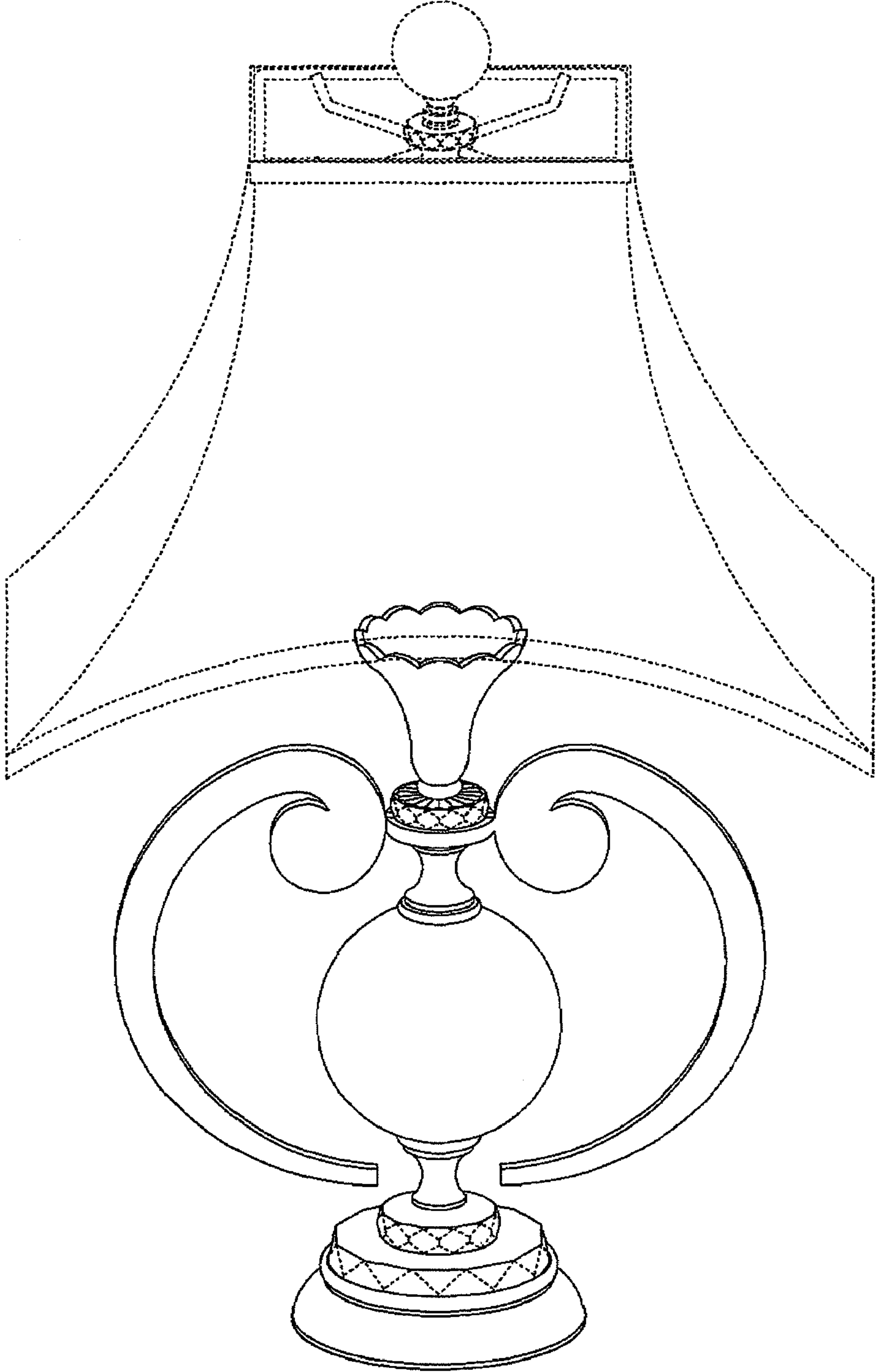


FIG. 1

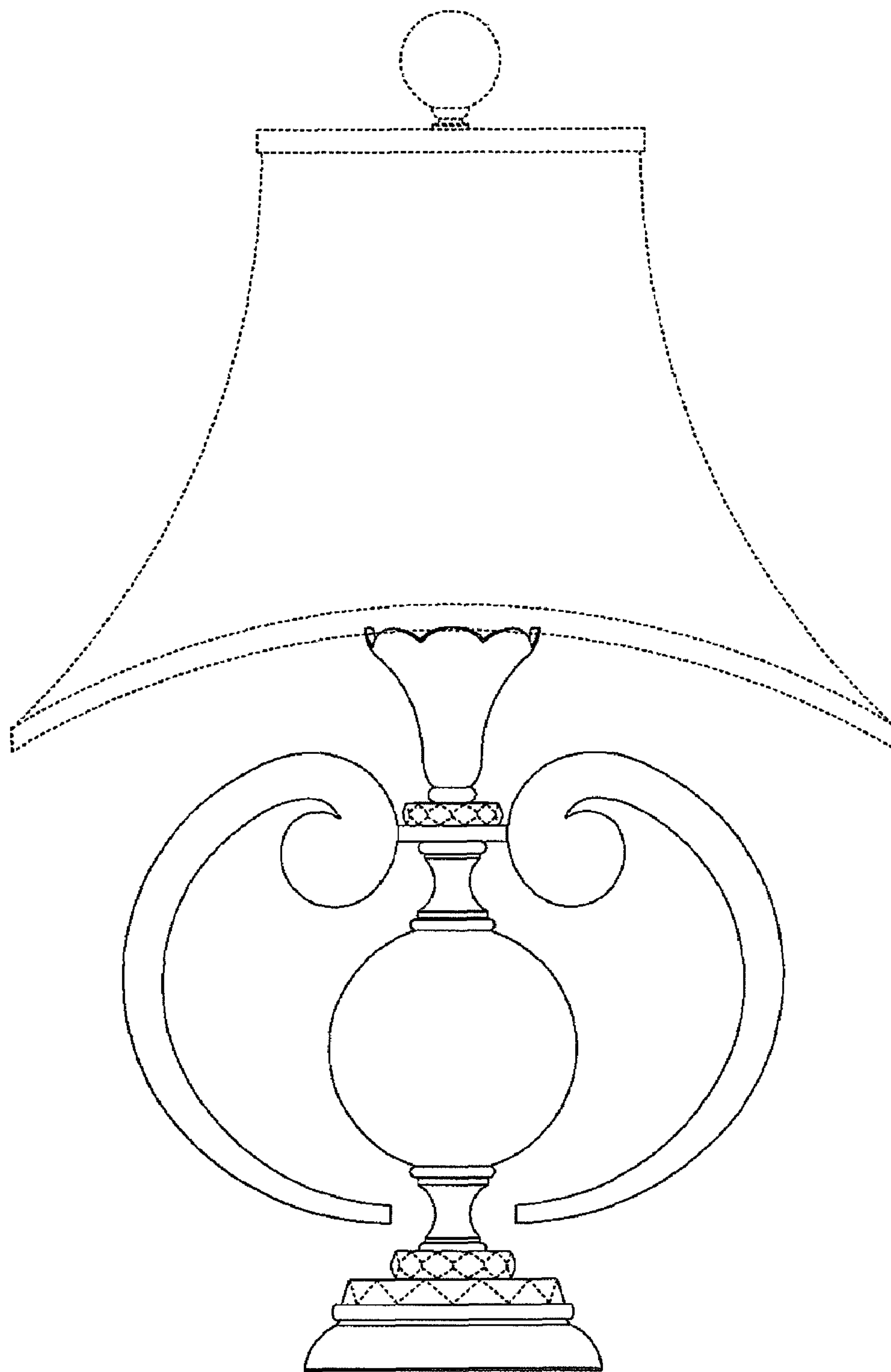


FIG. 2

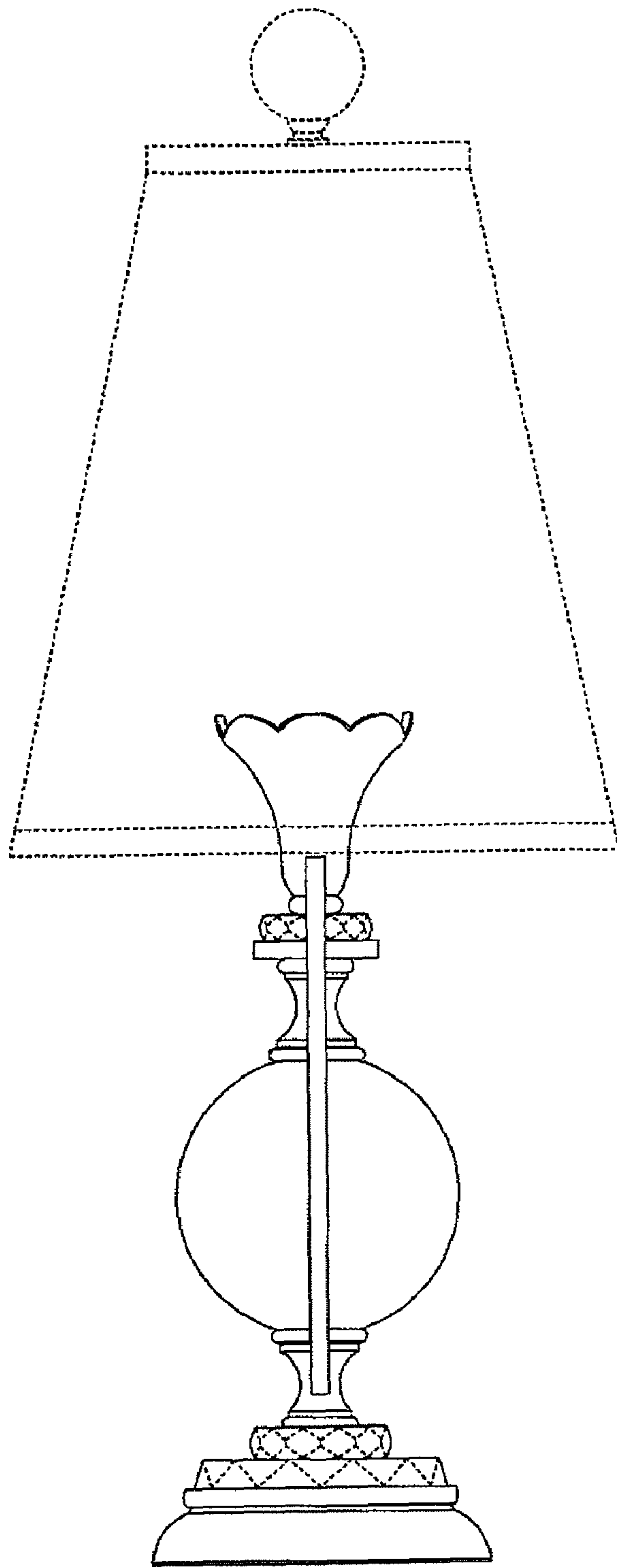


FIG. 3

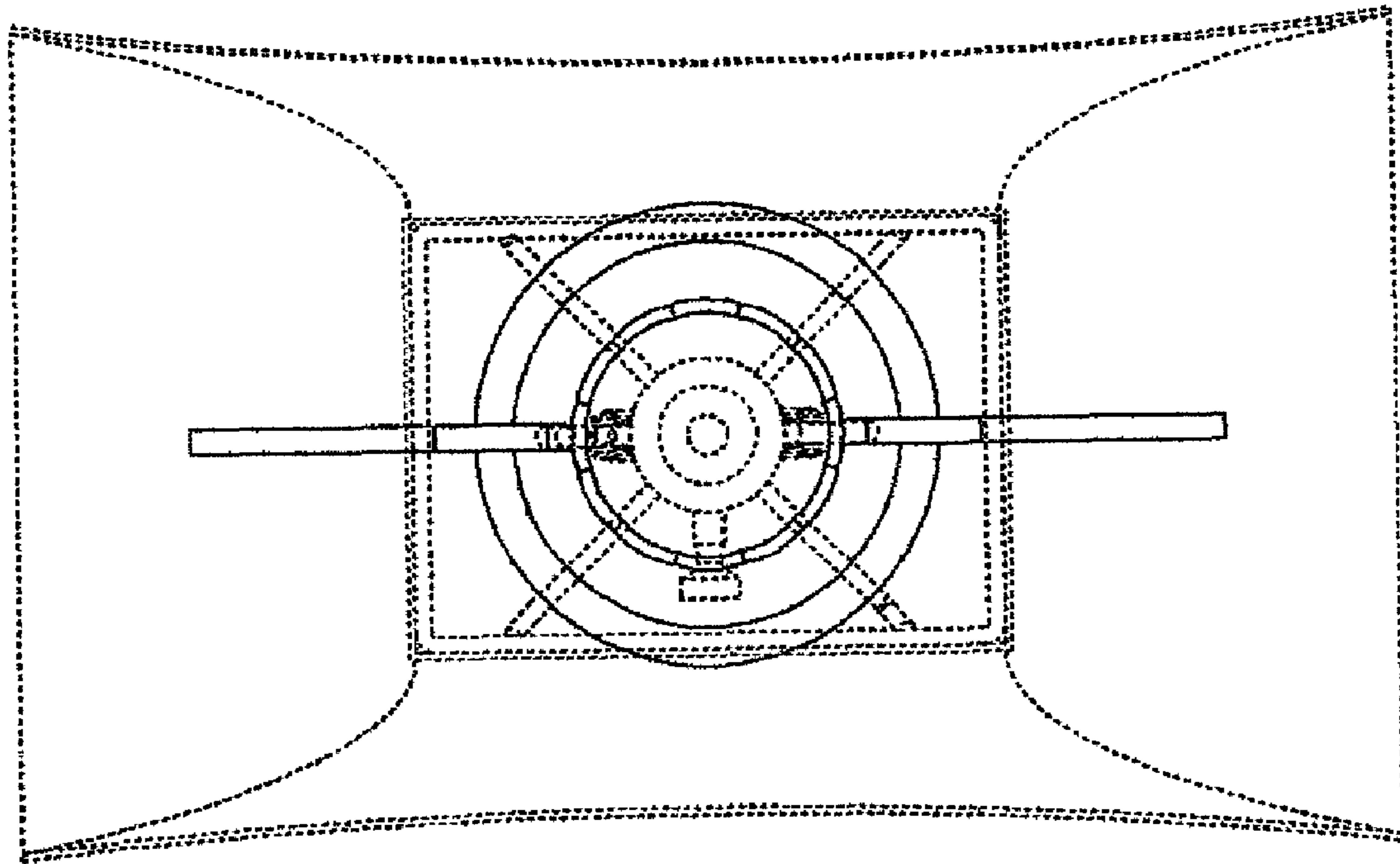


FIG. 4