



US00D581087S

(12) **United States Design Patent**
Sabernig

(10) **Patent No.:** **US D581,087 S**

(45) **Date of Patent:** **** Nov. 18, 2008**

(54) **LIGHT FIXTURE**

D342,338 S * 12/1993 Thun D26/88
D465,872 S * 11/2002 Cacaci D26/90

(75) Inventor: **Robert Sabernig**, Munster (AT)

OTHER PUBLICATIONS

(73) Assignee: **EGLO Leuchten GmbH**, Innsbruck (AT)

“Harmonika” pendant lamp and “Lyra” pendant lamp on p. 309 of the 2005 Ikea Catalog.*
Pendants #P4217-30 and #P4217-11 shown on p. 74 of the Progress Lighting Ideas Book.*

(**) Term: **14 Years**

* cited by examiner

(21) Appl. No.: **29/303,081**

Primary Examiner—Clare E Heflin

(22) Filed: **Jan. 31, 2008**

(74) *Attorney, Agent, or Firm*—Baker & McKenzie LLP

(51) **LOC (8) Cl.** **26-03**

(52) **U.S. Cl.** **D26/88**

(58) **Field of Classification Search** D26/72,
D26/76, 84, 85, 86, 88–91, 118, 128, 130,
D26/131, 135, 137; 362/147, 404, 407, 355,
362/358

(57) **CLAIM**

See application file for complete search history.

The ornamental design for a light fixture, as shown and described.

DESCRIPTION

(56) **References Cited**

FIG. 1 is a top perspective view of a light fixture in accordance with my design; and,

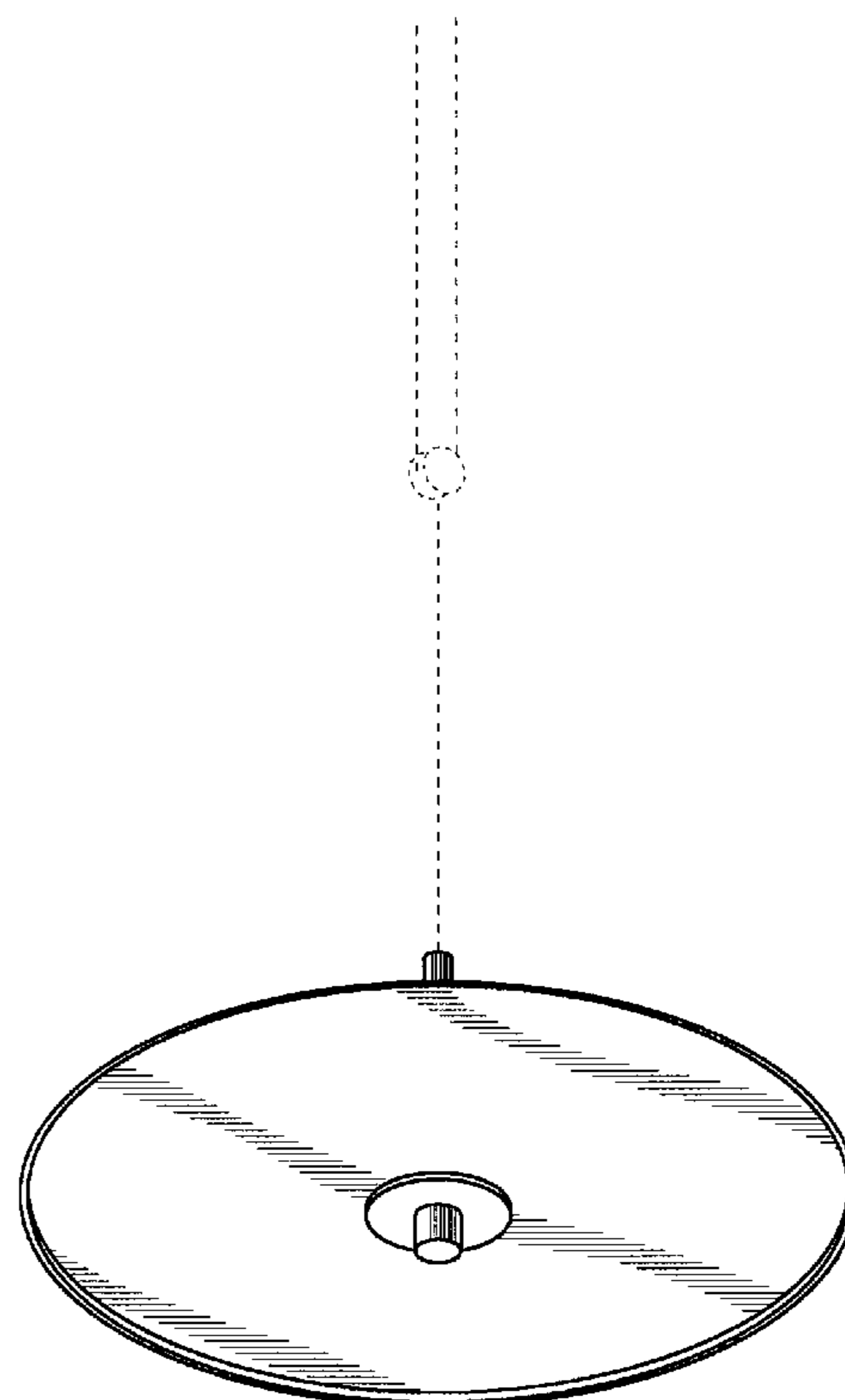
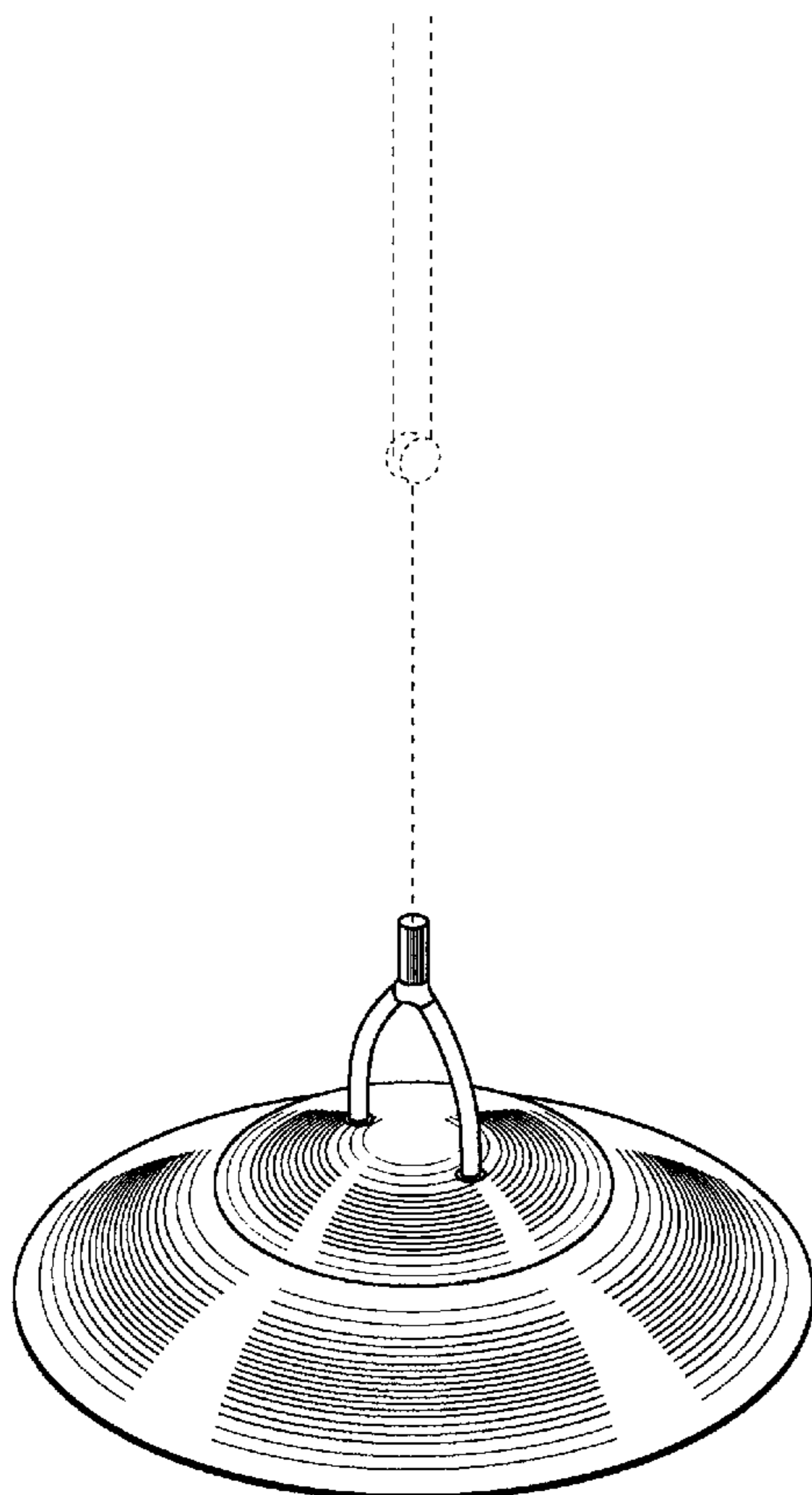
U.S. PATENT DOCUMENTS

FIG. 2 is a bottom perspective view of the light fixture in accordance with my design.

D51,085 S *	1/1917	Vaughn	D26/88
2,255,431 A *	9/1941	Marden et al.	D26/89
D134,355 S *	11/1942	Rolph	D26/88
3,042,742 A *	7/1962	Foster	D26/88
D304,768 S *	11/1989	Dicola	D26/84
D307,060 S *	4/1990	Fraser	D26/88

The broken lines showing environmental structure are for illustrative purposes only and form no part of the claimed design.

1 Claim, 1 Drawing Sheet



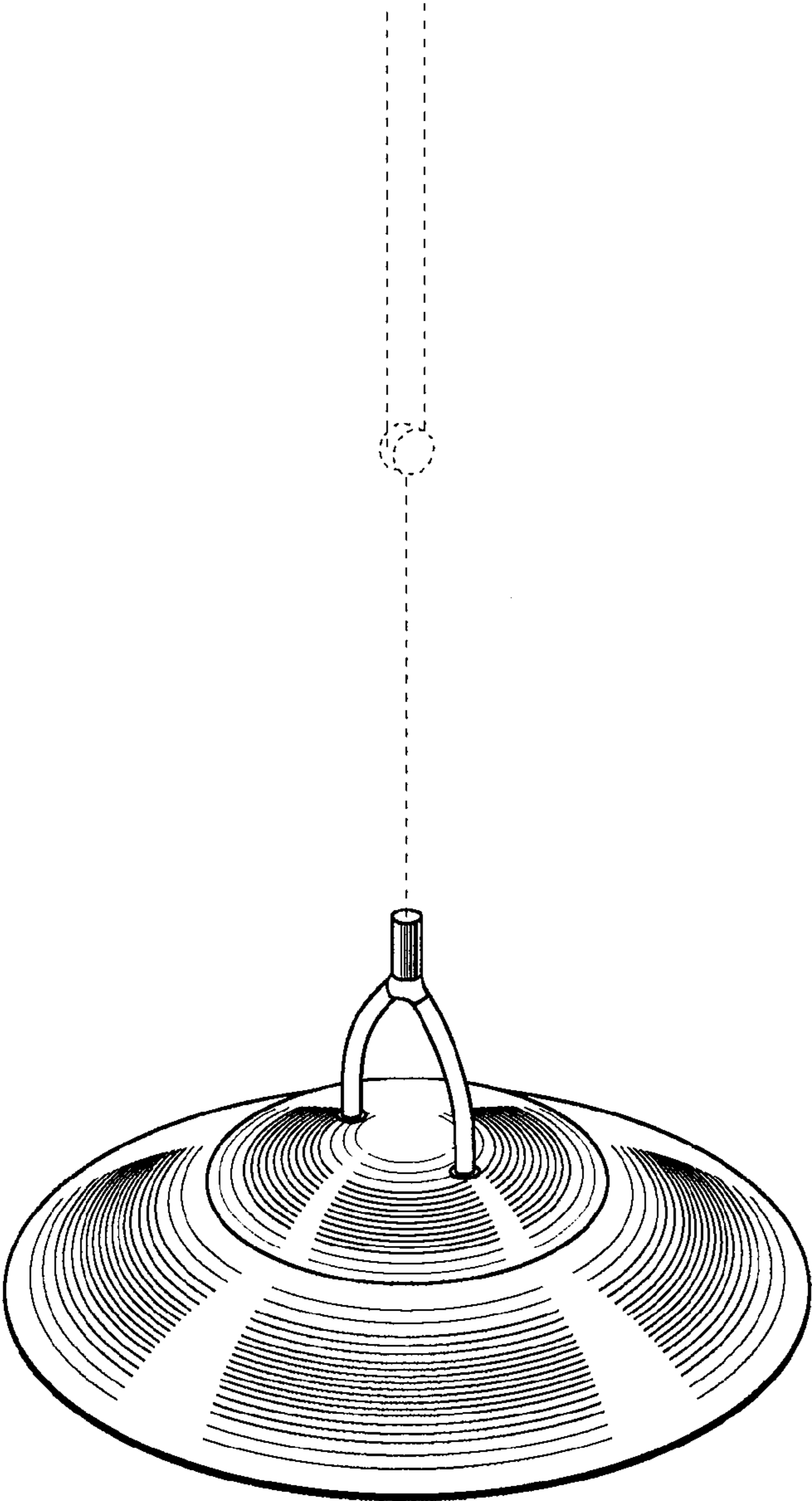


Fig.1

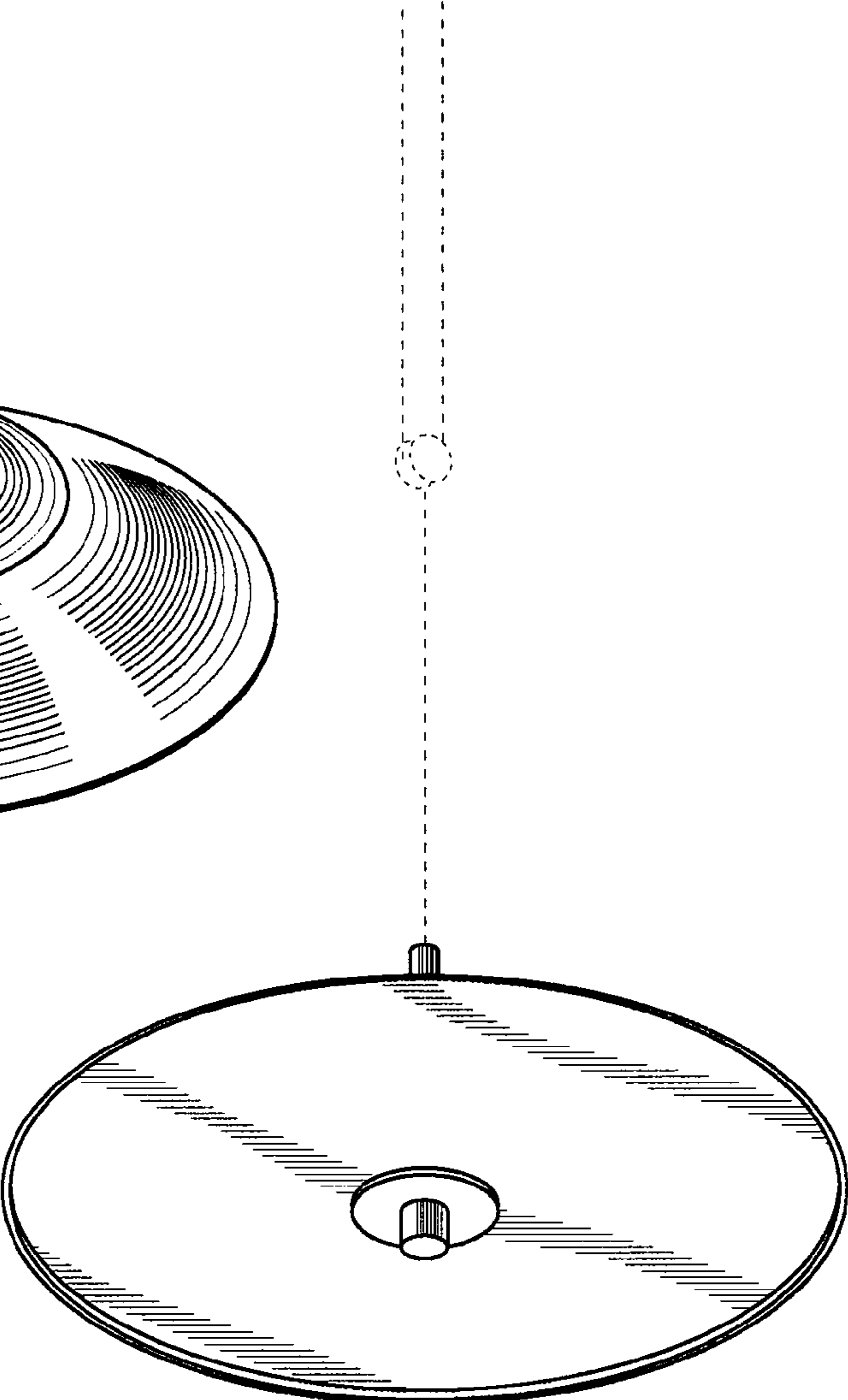


Fig.2