



US00D581086S

(12) **United States Design Patent**  
**Starck**

(10) **Patent No.:** **US D581,086 S**

(45) **Date of Patent:** **\*\* Nov. 18, 2008**

(54) **WALL LAMP**

(75) Inventor: **Philippe Starck**, Paris (FR)

(73) Assignee: **Flos SpA**, Bovezzo-BS (IT)

(\*\*) Term: **14 Years**

(21) Appl. No.: **29/295,032**

(22) Filed: **Sep. 20, 2007**

(30) **Foreign Application Priority Data**

Mar. 22, 2007 (EM) ..... 000692801-0001

(51) **LOC (8) Cl.** ..... **26-03**

(52) **U.S. Cl.** ..... **D26/85; D26/78**

(58) **Field of Classification Search** ..... D26/72,  
D26/75-78, 85, 89; 362/147, 404, 347, 350  
See application file for complete search history.

(56) **References Cited**

**U.S. PATENT DOCUMENTS**

D173,179 S \* 12/1954 Helms ..... D26/85  
3,022,416 A \* 2/1962 Roberts ..... 362/245  
D214,582 S \* 7/1969 Routh et al. .... D26/63  
D220,118 S \* 3/1971 Tawil et al. .... D26/63

D259,586 S \* 6/1981 Johnson ..... D26/76  
D285,357 S \* 8/1986 Pritchett ..... D26/78  
D291,602 S \* 8/1987 Dacanay ..... D26/85  
D330,945 S \* 11/1992 Neustadt ..... D26/75  
D380,850 S \* 7/1997 Bray ..... D26/87

\* cited by examiner

*Primary Examiner*—Clare E Heflin

(74) *Attorney, Agent, or Firm*—McGlew & Tuttle, P.C.

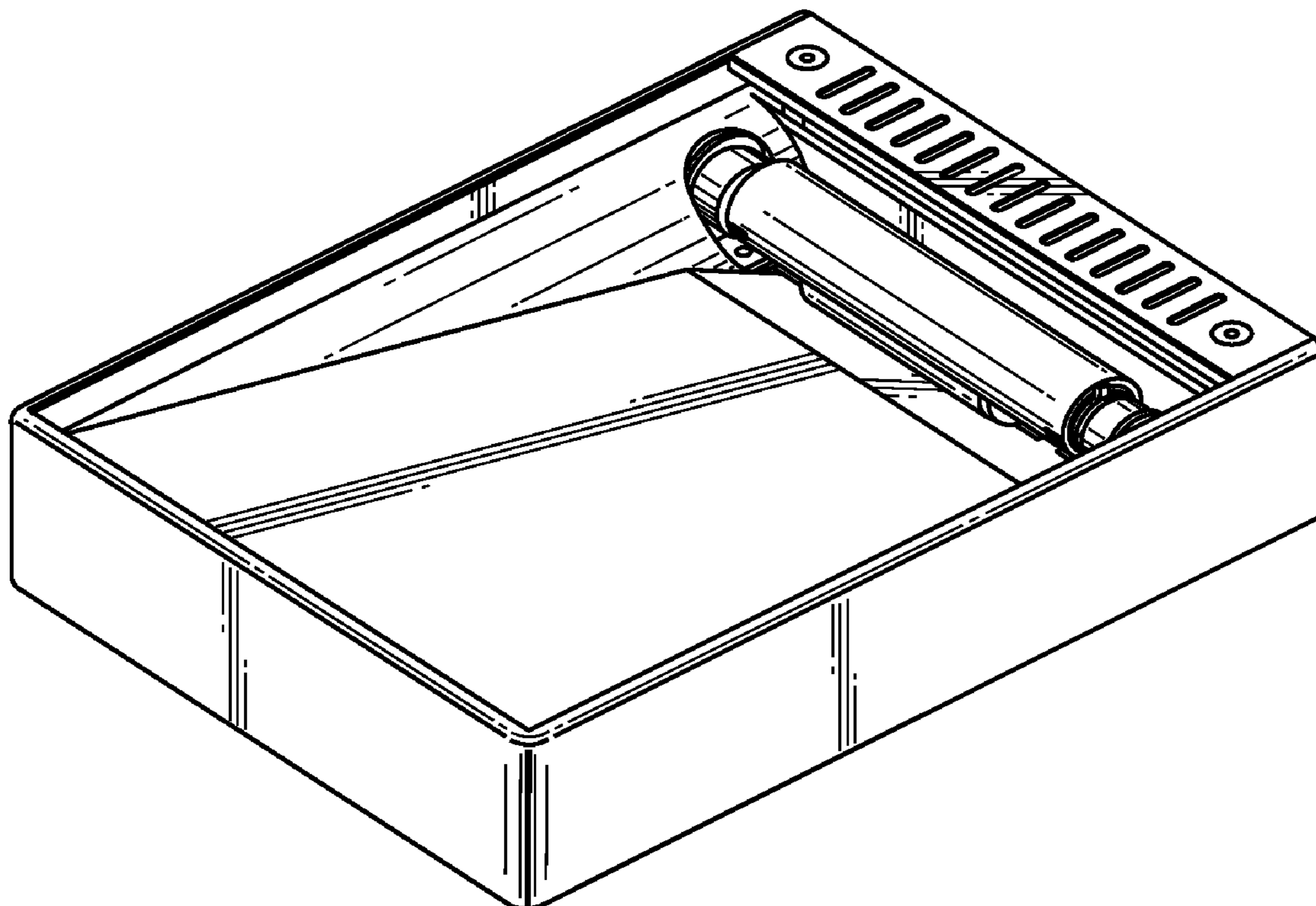
(57) **CLAIM**

The ornamental design for a wall lamp, as shown and described.

**DESCRIPTION**

FIG. 1 is a perspective view of my new wall lamp design;  
FIG. 2 is a front view thereof;  
FIG. 3 is a back view thereof;  
FIG. 4 is a top view thereof;  
FIG. 5 is a bottom view thereof;  
FIG. 6 is a left view thereof; and,  
FIG. 7 is a right view thereof.

**1 Claim, 3 Drawing Sheets**



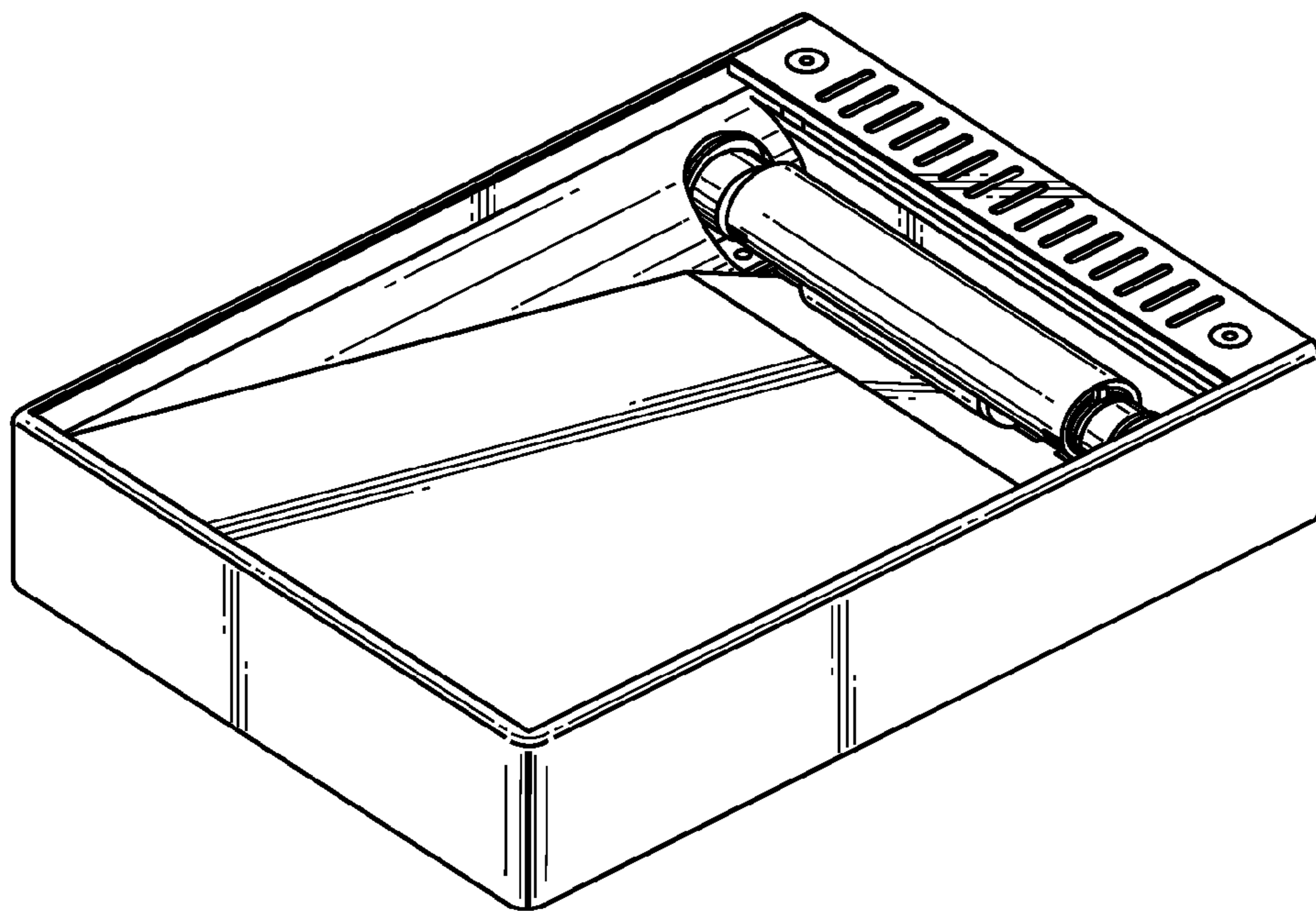


FIG. 1



FIG. 2

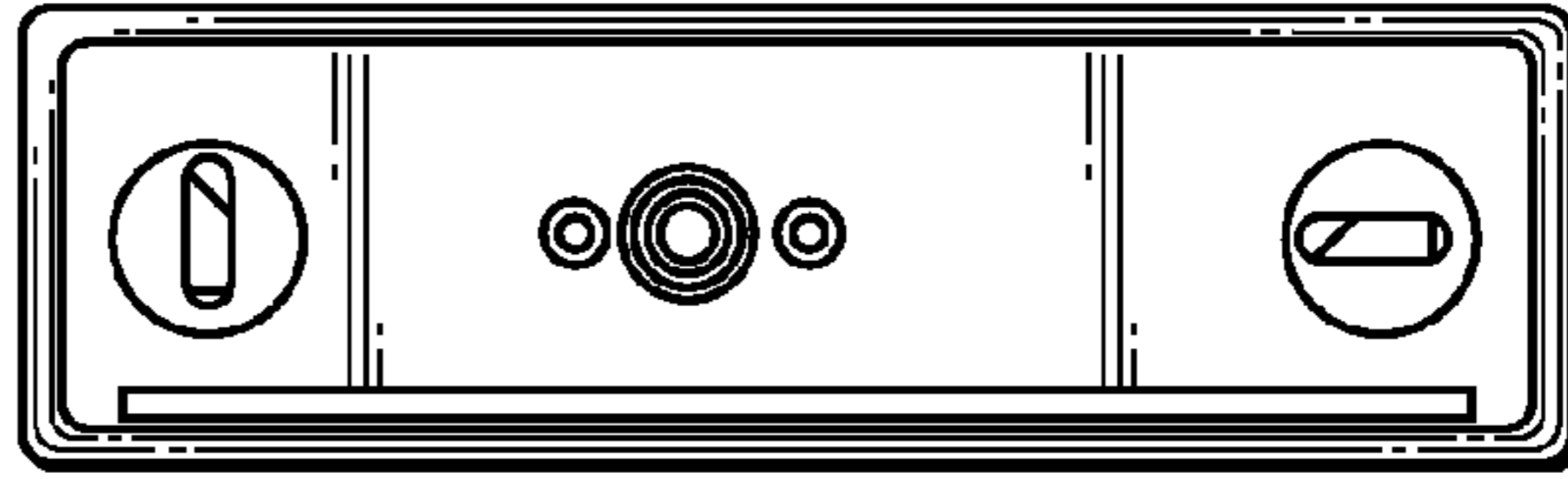


FIG. 3

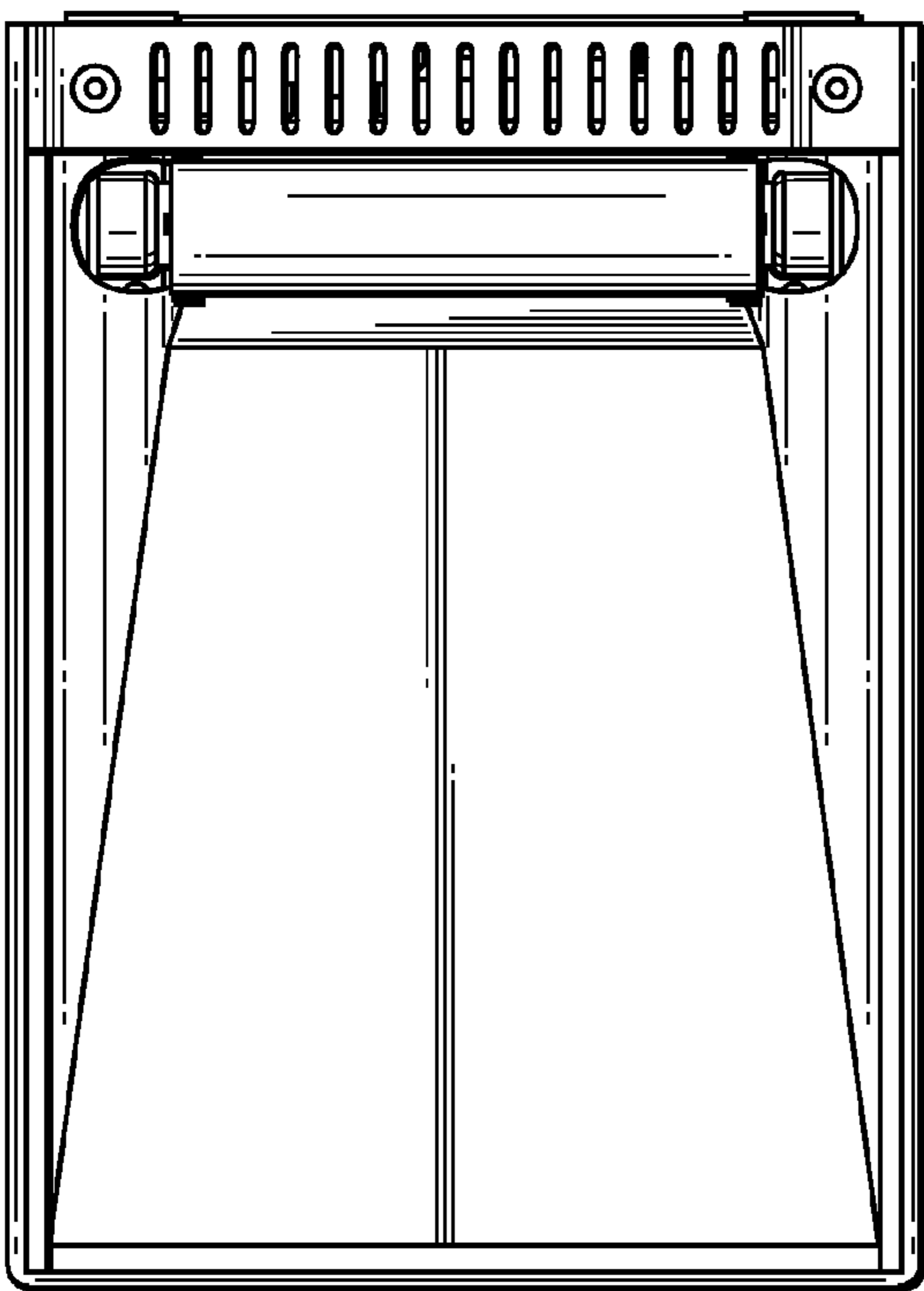


FIG. 4

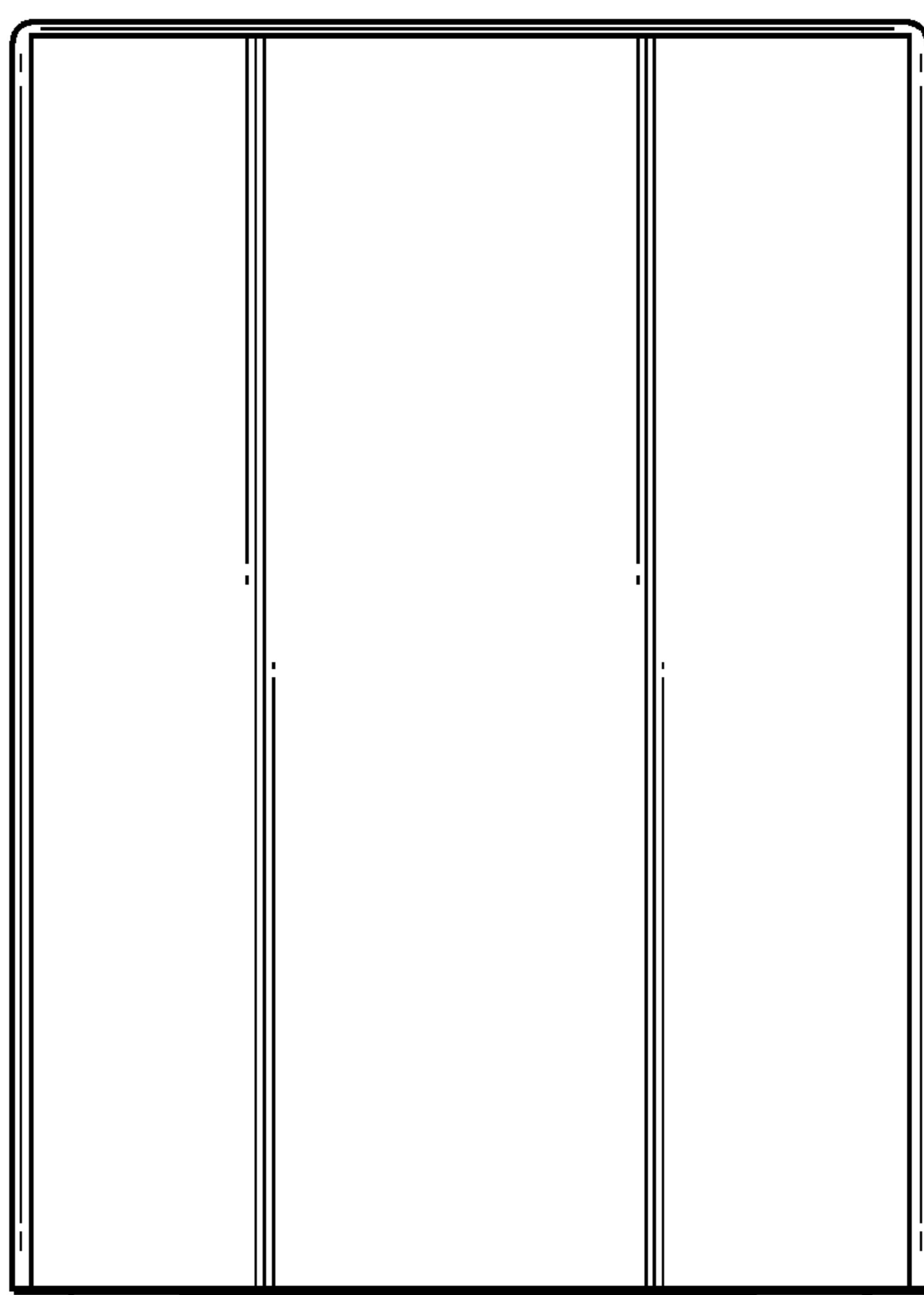


FIG. 5

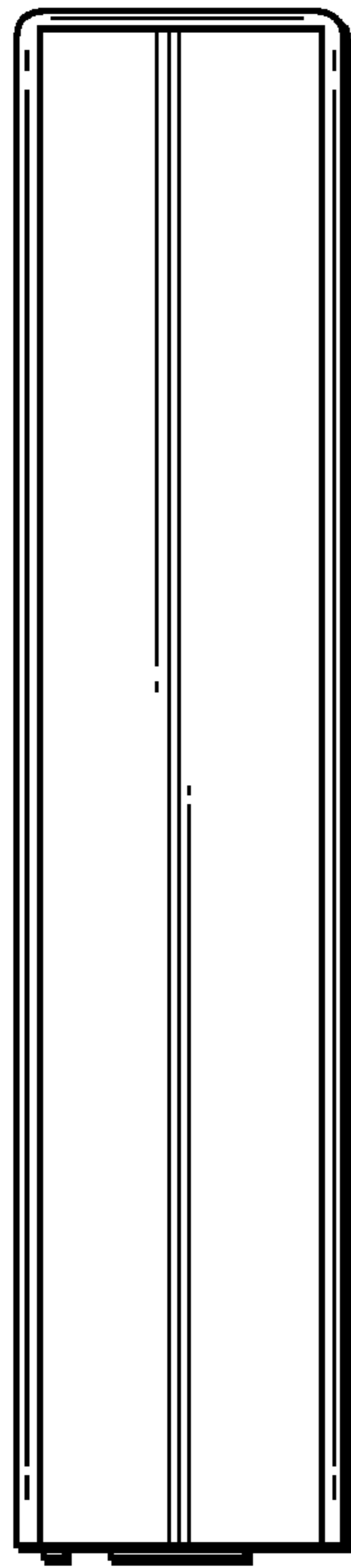


FIG. 6

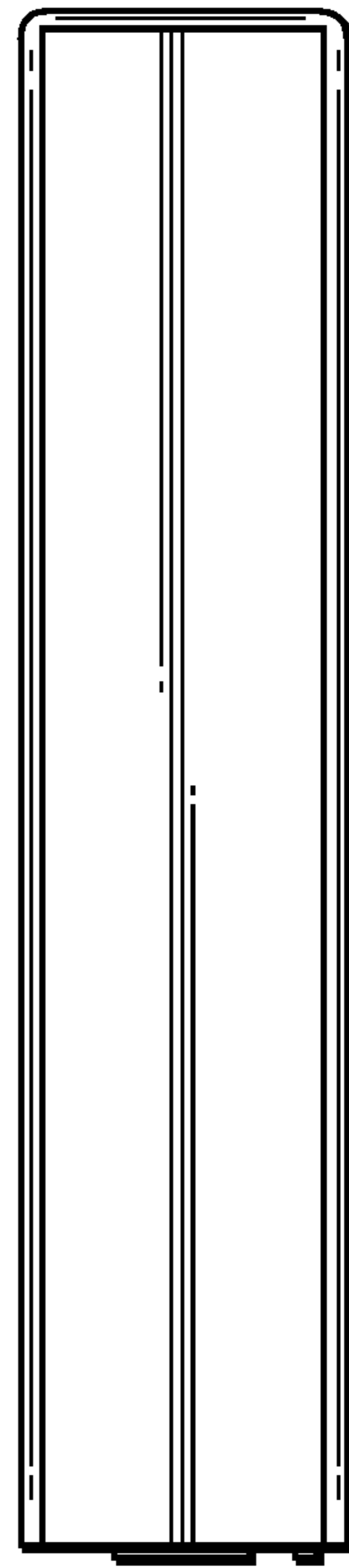


FIG. 7