



US00D581085S

(12) **United States Design Patent**  
**Vakil et al.**

(10) **Patent No.:** **US D581,085 S**

(45) **Date of Patent:** **\*\* \*Nov. 18, 2008**

(54) **SEVEN-LOOP LAMP**

(75) Inventors: **Usman Vakil**, Walnut, CA (US);  
**Frederick B. Reyhan**, Walnut, CA (US)

(73) Assignee: **Lights of America, Inc.**, Walnut, CA (US)

(\*\*) Term: **14 Years**

(21) Appl. No.: **29/288,080**

(22) Filed: **May 30, 2007**

(51) **LOC (8) Cl.** ..... **26-03**

(52) **U.S. Cl.** ..... **D26/78; D26/3**

(58) **Field of Classification Search** ..... D26/1-8,  
D26/24, 40-42, 72, 74-79, 102; 362/101,  
362/147, 217-225, 260, 267, 283, 347, 363  
See application file for complete search history.

(56) **References Cited**

**U.S. PATENT DOCUMENTS**

D248,593	S	*	7/1978	Oster	.....	D26/3
4,364,106	A	*	12/1982	Lam	.....	362/272
D270,480	S	*	9/1983	Young	.....	D26/3
D280,345	S	*	8/1985	Paget	.....	D26/3
4,937,487	A	*	6/1990	Blaisdell et al.	.....	313/318.09
D357,546	S	*	4/1995	Hermes	.....	D26/3
D439,681	S	*	3/2001	Choi	.....	D26/3

D446,320	S	*	8/2001	Choi	.....	D26/3
D463,869	S	*	10/2002	Holzer	.....	D26/2
D502,558	S	*	3/2005	Iida et al.	.....	D26/3
D509,917	S	*	9/2005	Egawa	.....	D26/3
D512,789	S	*	12/2005	Foo	.....	D26/3

\* cited by examiner

*Primary Examiner*—Robert M. Spear

*Assistant Examiner*—Susan E Krakower

(74) *Attorney, Agent, or Firm*—Kuta IP Law LLC; Christine M. Kuta

(57) **CLAIM**

The ornamental design for a seven loop lamp, as shown and described.

**DESCRIPTION**

FIG. 1 is a rear perspective view of a seven-loop lamp;

FIG. 2 is a rear view of the lamp of FIG. 1;

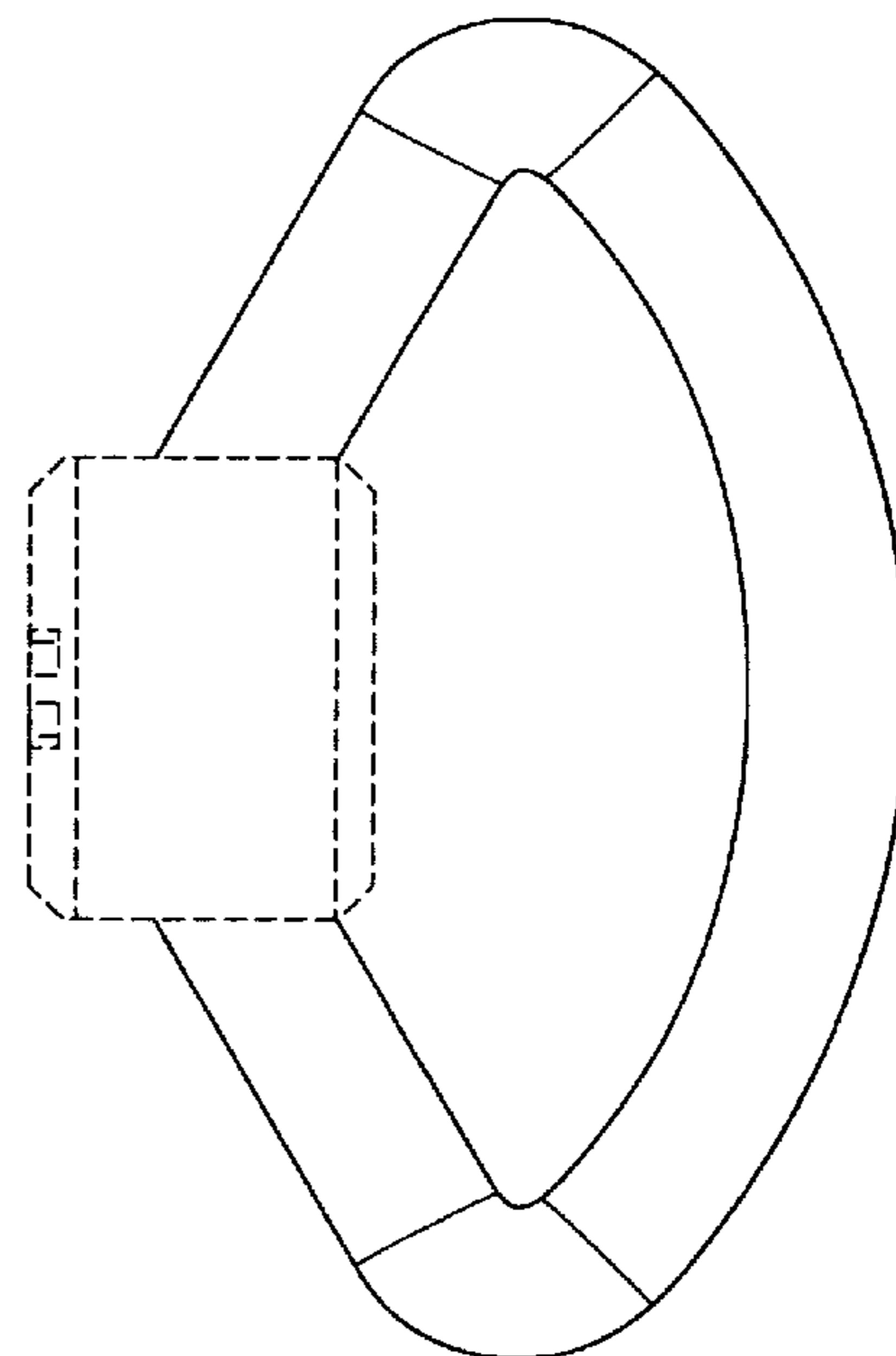
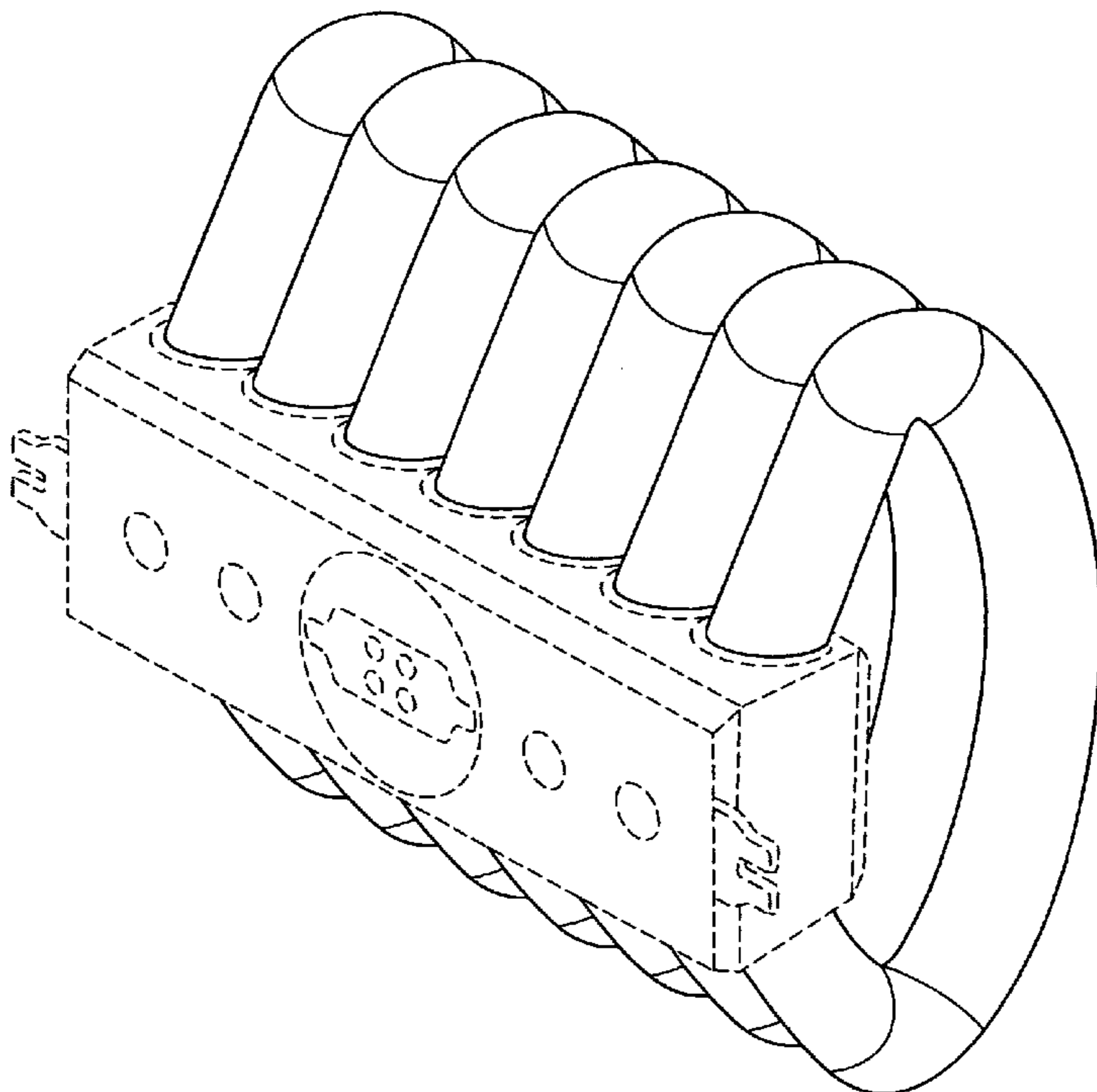
FIG. 3 is a top view of the lamp of FIG. 1; and,

FIG. 4 is a side view of the lamp of FIG. 1.

All sides not shown in the drawing disclosure forms no part of the claimed design.

The broken lines showing a lamp housing form no part of the claimed design.

**1 Claim, 4 Drawing Sheets**



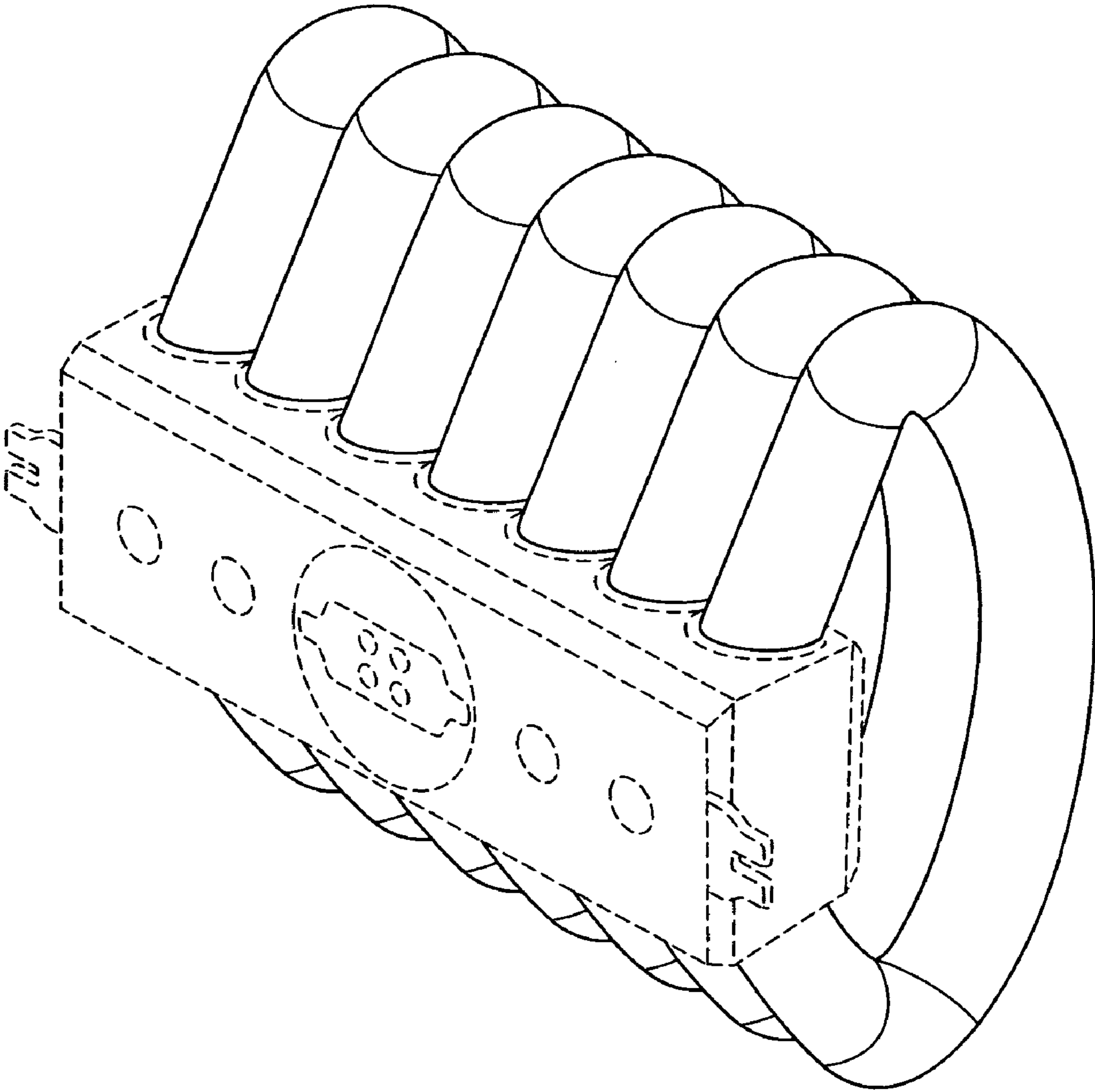


Fig. 1

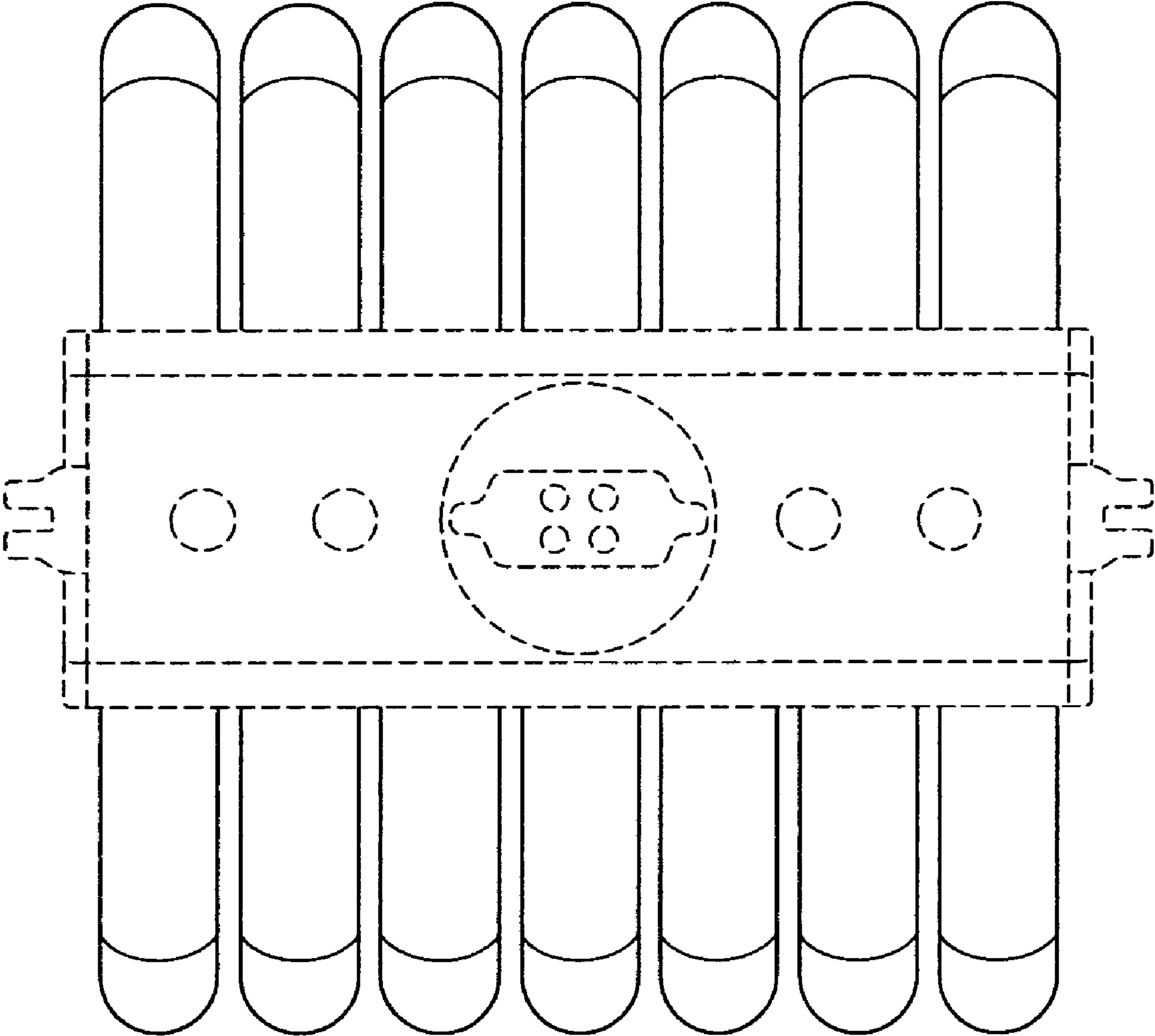


Fig. 2

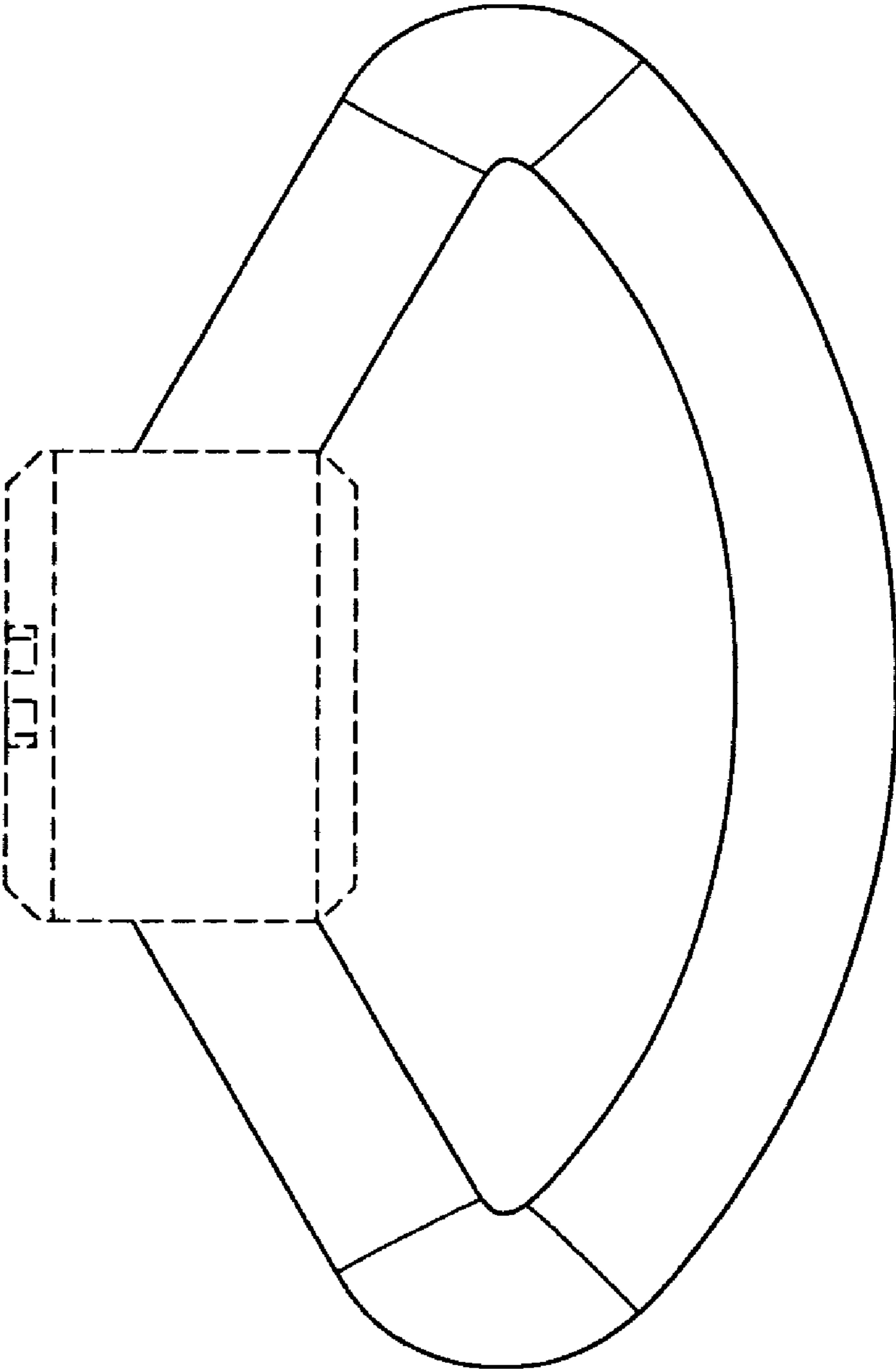


Fig. 3

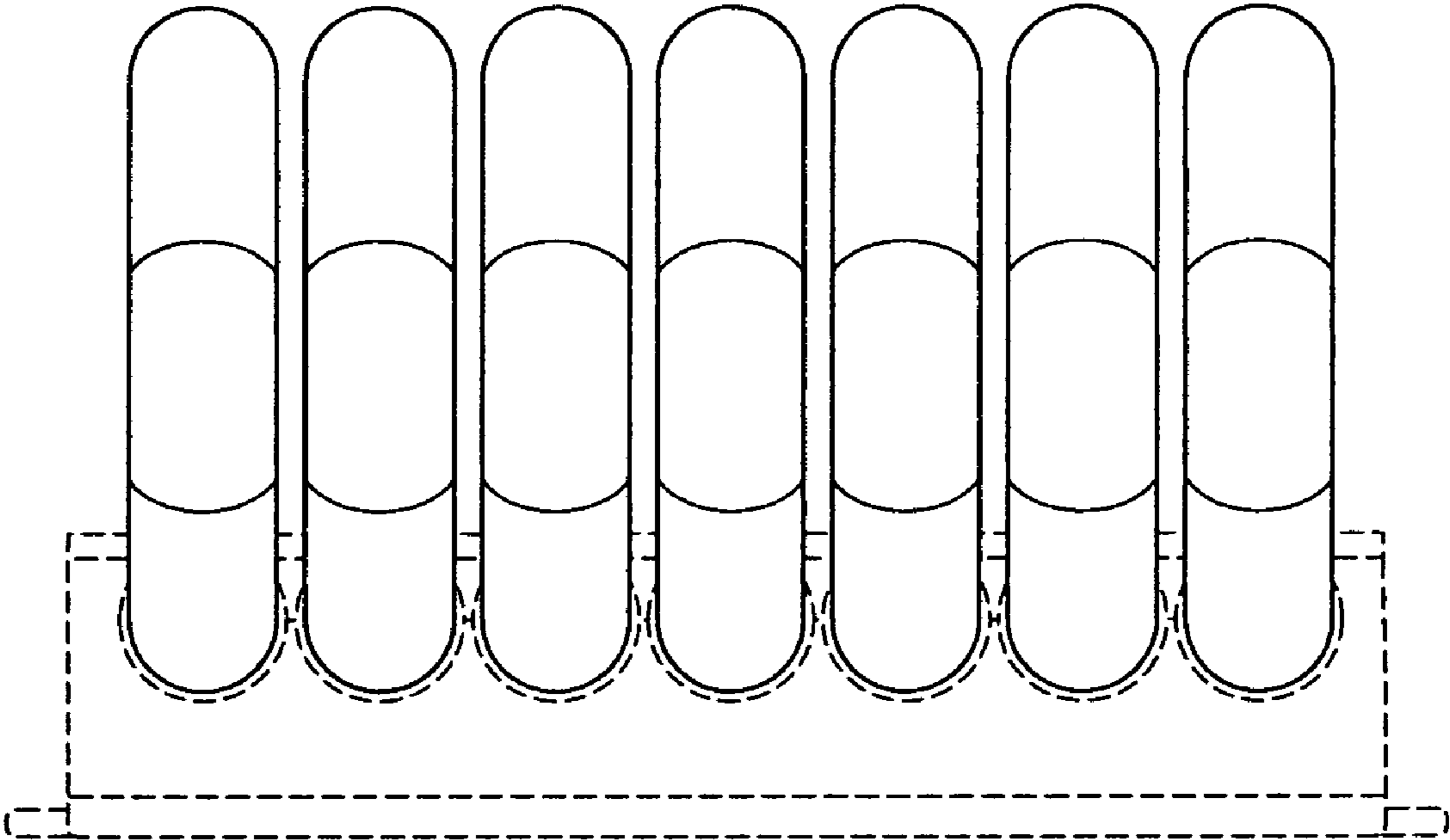


Fig. 4