



US00D581082S

(12) **United States Design Patent**  
**Chan et al.**

(10) **Patent No.:** **US D581,082 S**  
(45) **Date of Patent:** **\*\* Nov. 18, 2008**

(54) **LIGHTING DEVICE**

(75) Inventors: **Wai Kwan Chan**, Tai Po (CN); **Paul Kenneth Pickard**, Morrisville, NC (US); **Gerald H. Negley**, Durham, NC (US); **Antony Paul Van De Ven**, Hong Kong SAR (CN); **Gary David Trott**, Morrisville, NC (US)

(73) Assignee: **Cree LED Lighting Solutions, Inc.**, Durham, NC (US)

(\*\*) Term: **14 Years**

(21) Appl. No.: **29/295,233**

(22) Filed: **Sep. 24, 2007**

**Related U.S. Application Data**

(63) Continuation of application No. 29/267,854, filed on Oct. 23, 2006, now abandoned.

(51) **LOC (8) Cl.** ..... **26-05**

(52) **U.S. Cl.** ..... **D26/74**

(58) **Field of Classification Search** ..... D26/35,  
D26/72, 74-79, 81-92, 115-118, 122-123;  
362/147, 148, 217-225, 260, 283, 347, 363,  
362/364, 348

See application file for complete search history.

(56) **References Cited**

**U.S. PATENT DOCUMENTS**

382,210 A	5/1888	Black
D50,559 S	4/1917	Martin
1,674,165 A	6/1928	Dorey
D79,309 S	8/1929	Sanford
2,010,322 A	8/1935	Riddell
D107,878 S	1/1938	Levy
D115,970 S	8/1939	Stewart
D160,640 S	10/1950	Magroch
2,835,791 A	5/1958	Horwitz
2,878,425 A	3/1959	Kudoh
3,040,172 A	6/1962	Kingsley

D196,618 S	10/1963	Hammes	
D197,985 S	4/1964	Dawson	
3,330,951 A	7/1967	Neal	
3,401,258 A	9/1968	Guth	
3,518,420 A *	6/1970	Kripp	362/257
3,662,165 A *	5/1972	Osteen et al.	362/297
3,697,742 A	10/1972	Bobrick	
3,705,302 A	12/1972	Judge et al.	
3,950,638 A	4/1976	Kent et al.	
D247,562 S	3/1978	Walker et al.	
4,142,227 A	2/1979	Aikens	
4,173,037 A	10/1979	Henderson et al.	
4,241,393 A	12/1980	Olson	

(Continued)

**OTHER PUBLICATIONS**

Evo Lighting—Solid State LED Lighting, [http://www.renaissance-lighting.com/index\\_PA.php?t=line&Type=1](http://www.renaissance-lighting.com/index_PA.php?t=line&Type=1), evo is a product of RL Light, 2007, pp. 1-15.

(Continued)

*Primary Examiner*—Robert M. Spear

*Assistant Examiner*—Susan E Krakower

(74) *Attorney, Agent, or Firm*—Burr & Brown

(57) **CLAIM**

The ornamental design for a lighting device, as shown and described.

**DESCRIPTION**

FIG. 1 is a front elevational view of a lighting device showing our new design;

FIG. 2 is a back elevational view thereof;

FIG. 3 is a right side elevational view thereof;

FIG. 4 is a left side elevational view thereof;

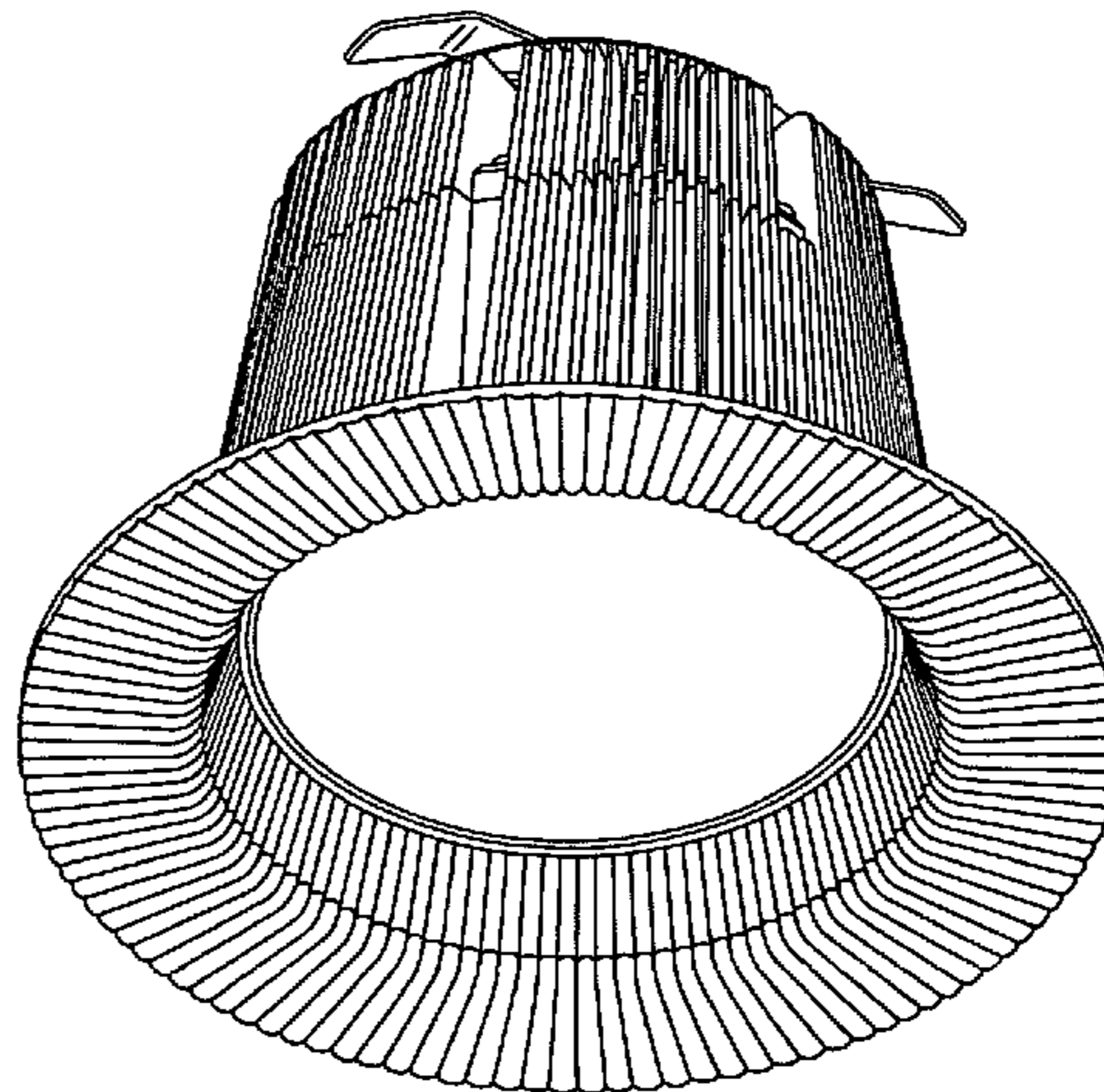
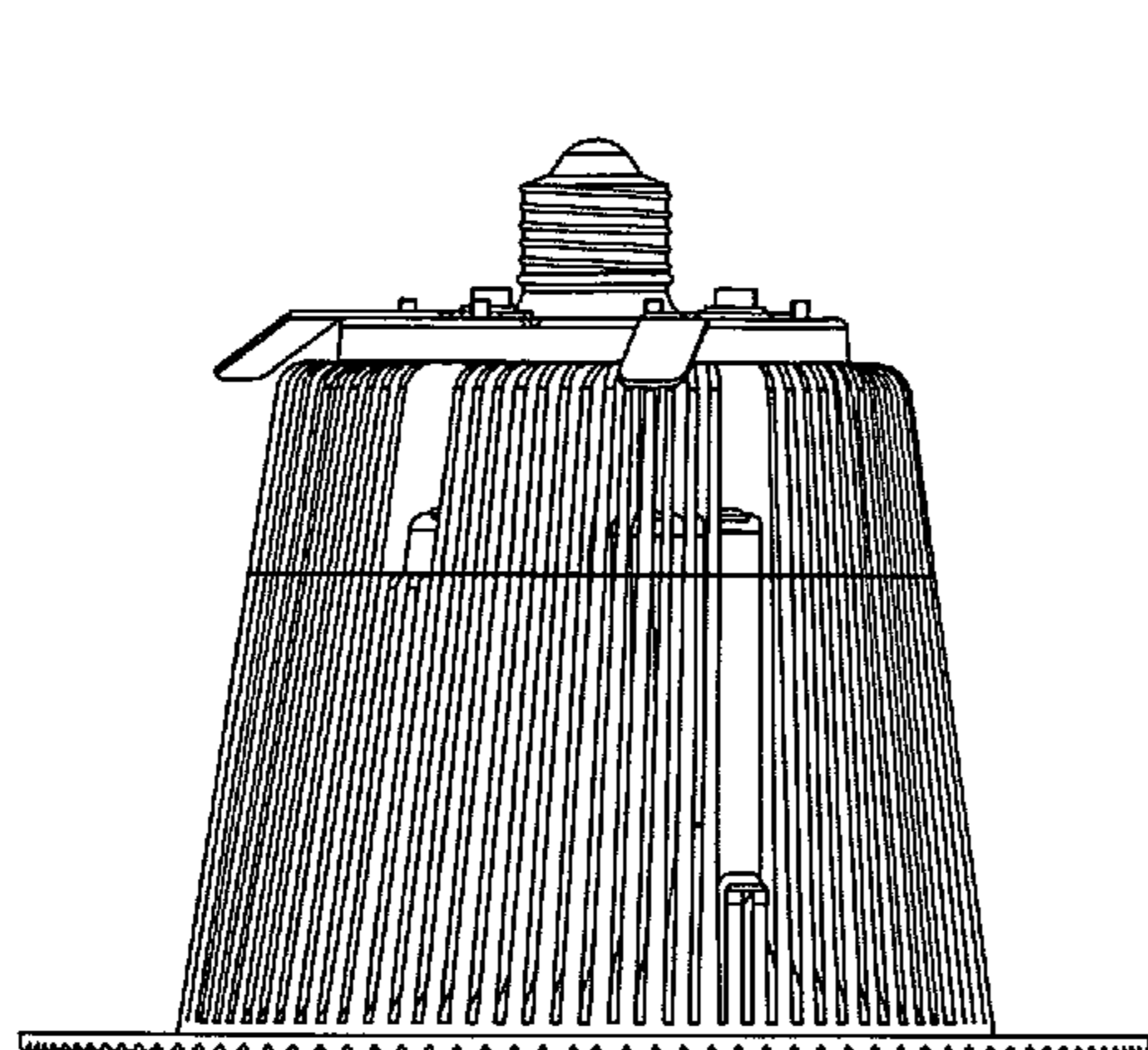
FIG. 5 is a top plan view thereof;

FIG. 6 is a bottom plan view thereof;

FIG. 7 is a top side perspective view thereof; and,

FIG. 8 is a bottom side perspective view thereof.

**1 Claim, 4 Drawing Sheets**



U.S. PATENT DOCUMENTS

D259,518 S 6/1981 Garcia et al.  
 D264,007 S 4/1982 Heritage  
 4,336,575 A 6/1982 Gilman  
 4,388,677 A 6/1983 Druffel  
 4,404,620 A 9/1983 Takahashi et al.  
 4,453,203 A 6/1984 Pate  
 4,703,406 A 10/1987 Elliott et al.  
 4,729,080 A 3/1988 Fremont et al.  
 4,761,721 A 8/1988 Willing  
 4,803,603 A 2/1989 Carson  
 D302,860 S 8/1989 Anema  
 4,972,339 A 11/1990 Gabrius  
 5,014,175 A 5/1991 Osteen et al.  
 D326,163 S 5/1992 Sonneman  
 D326,537 S 5/1992 Gattari  
 5,183,330 A 2/1993 Rishel et al.  
 D340,514 S 10/1993 Liao  
 5,287,259 A 2/1994 Lautzenheiser  
 D347,292 S 5/1994 Roos et al.  
 5,345,371 A 9/1994 Cunningham et al.  
 D352,797 S 11/1994 Mehaffey  
 D353,910 S \* 12/1994 Hayman et al. .... D26/118  
 5,373,431 A \* 12/1994 Hayman et al. .... 362/364  
 5,440,471 A 8/1995 Zadeh  
 5,465,199 A 11/1995 Bray et al.  
 D370,550 S 6/1996 Lecluze  
 D376,667 S 12/1996 Lucluze  
 D381,454 S 7/1997 Lecluze  
 D383,565 S 9/1997 Demshki et al.  
 D386,277 S 11/1997 Lecluze  
 D387,466 S 12/1997 Lecluze  
 D388,526 S 12/1997 Bray  
 D397,490 S 8/1998 Lecluze  
 5,800,050 A 9/1998 Leadford  
 5,823,664 A 10/1998 Demshki et al.  
 D404,122 S \* 1/1999 Hayashi et al. .... D23/370  
 5,857,766 A 1/1999 Sieczkowski  
 D410,295 S 5/1999 Lueken et al.  
 5,957,574 A 9/1999 Hentz et al.  
 6,004,011 A 12/1999 Sieczkowski  
 D427,368 S 6/2000 Kelmelis et al.  
 6,089,732 A 7/2000 Wright et al.  
 6,095,669 A 8/2000 Cho  
 6,123,438 A 9/2000 Hentz  
 6,176,597 B1 1/2001 Smith  
 6,179,446 B1 1/2001 Sarmadi  
 D437,654 S 2/2001 Chen  
 6,217,189 B1 4/2001 Nassim  
 6,283,430 B1 9/2001 Schubert et al.  
 6,375,338 B1 4/2002 Cummings et al.  
 D465,061 S 10/2002 Guthrie  
 6,474,846 B1 \* 11/2002 Kelmelis et al. .... 362/365  
 6,505,960 B2 1/2003 Schubert et al.  
 D469,916 S 2/2003 Caferro et al.  
 D471,314 S 3/2003 Guthrie  
 D473,965 S 4/2003 Lecluze  
 D474,298 S 5/2003 Lecluze  
 D474,300 S 5/2003 Lecluze  
 D476,108 S 6/2003 Lecluze  
 6,588,922 B1 7/2003 DeCicco  
 6,632,006 B1 10/2003 Rippel et al.  
 6,655,813 B1 12/2003 Ng

D485,006 S 1/2004 Huang  
 D488,252 S 4/2004 Benghozi  
 D488,583 S 4/2004 Benghozi  
 D488,880 S 4/2004 Rahn  
 D490,930 S 6/2004 Snead  
 6,755,559 B2 6/2004 Wang et al.  
 6,921,186 B1 7/2005 Viskovich  
 D516,235 S 2/2006 Rashidi  
 D527,119 S 8/2006 Maxik et al.  
 D528,673 S 9/2006 Maxik et al.  
 7,121,696 B2 10/2006 Whitfield, Sr.  
 D538,951 S 3/2007 Maxik et al.  
 D538,952 S 3/2007 Maxik et al.  
 D544,128 S 6/2007 Carro  
 D545,457 S 6/2007 Chen  
 D548,391 S \* 8/2007 Lecluze ..... D26/138  
 D570,537 S \* 6/2008 Chan et al. .... D26/152  
 D570,538 S \* 6/2008 Chan et al. .... D26/152  
 D570,539 S \* 6/2008 Chan et al. .... D26/152  
 D571,038 S \* 6/2008 Chan et al. .... D26/152  
 D571,039 S \* 6/2008 Chan et al. .... D26/152  
 D571,497 S \* 6/2008 Chan et al. .... D26/74  
 D573,294 S \* 7/2008 Chan et al. .... D26/74  
 2003/0142499 A1 7/2003 Chiu  
 2003/0142599 A1 7/2003 Chiu  
 2003/0185012 A1 10/2003 Sitzema et al.  
 2008/0106907 A1 \* 5/2008 Trott et al. .... 362/368  
 2008/0112168 A1 \* 5/2008 Pickard et al. .... 362/247  
 2008/0112170 A1 \* 5/2008 Trott et al. .... 362/311  
 2008/0130298 A1 \* 6/2008 Negley et al. .... 362/365

OTHER PUBLICATIONS

U.S. Appl. No. 29/267,856, filed Oct. 23, 2006, Chan et al.  
 U.S. Appl. No. 29/267,857, filed Oct. 23, 2006, Chan et al.  
 U.S. Appl. No. 29/267,911, filed Oct. 23, 2006, Chan et al.  
 U.S. Appl. No. 29/267,853, filed Oct. 23, 2006, Chan et al.  
 U.S. Appl. No. 29/267,860, filed Oct. 23, 2006, Chan et al.  
 U.S. Appl. No. 29/267,855, filed Oct. 23, 2006, Chan et al.  
 U.S. Appl. No. 29/267,852, filed Oct. 23, 2006, Chan et al.  
 U.S. Appl. No. 29/279,351, filed Apr. 27, 2007, Chan et al.  
 U.S. Appl. No. 29/279,352, filed Apr. 27, 2007, Chan et al.  
 U.S. Appl. No. 29/279,354, filed Apr. 27, 2007, Chan et al.  
 U.S. Appl. No. 29/279,355, filed Apr. 27, 2007, Chan et al.  
 U.S. Appl. No. 29/279,357, filed Apr. 27, 2007, Pickard et al.  
 U.S. Appl. No. 29/279,589, filed May 3, 2007, Pickard et al.  
 U.S. Appl. No. 29/279,581, filed May 3, 2007, Pickard et al.  
 U.S. Appl. No. 29/284,294, filed Sep. 5, 2007, Pickard et al.  
 DOE SSL Commercial Product Testing Program Report, DOE SSL CPTP Report Product Test Reference # CPTP 07-09 Replacement Lamp, (2007), pp. 1-23.  
 DOE SSL Commercial Product Testing Program Report, DOE SSL CPTP Report Product Test Reference # CPTP 07-04 Downlight, (2007), pp. 1-13.  
 DOE SSL Commercial Product Testing Program Report, DOE SSL CPTP Report Product Test Reference # CPTP 07-05 Downlight, (2007), pp. 1-13.  
 DOE SSL Commercial Product Testing Program Report, DOE SSL CPTP Report Product Test Reference # CPTP 07-06 Replacement Lamp, (2007), pp. 1-22.  
 DOE SSL Commercial Product Testing Program Report, DOE SSL CPTP Report Product Test Reference # CPTP 07-08 Replacement Lamp, (2007), pp. 1-22.

\* cited by examiner

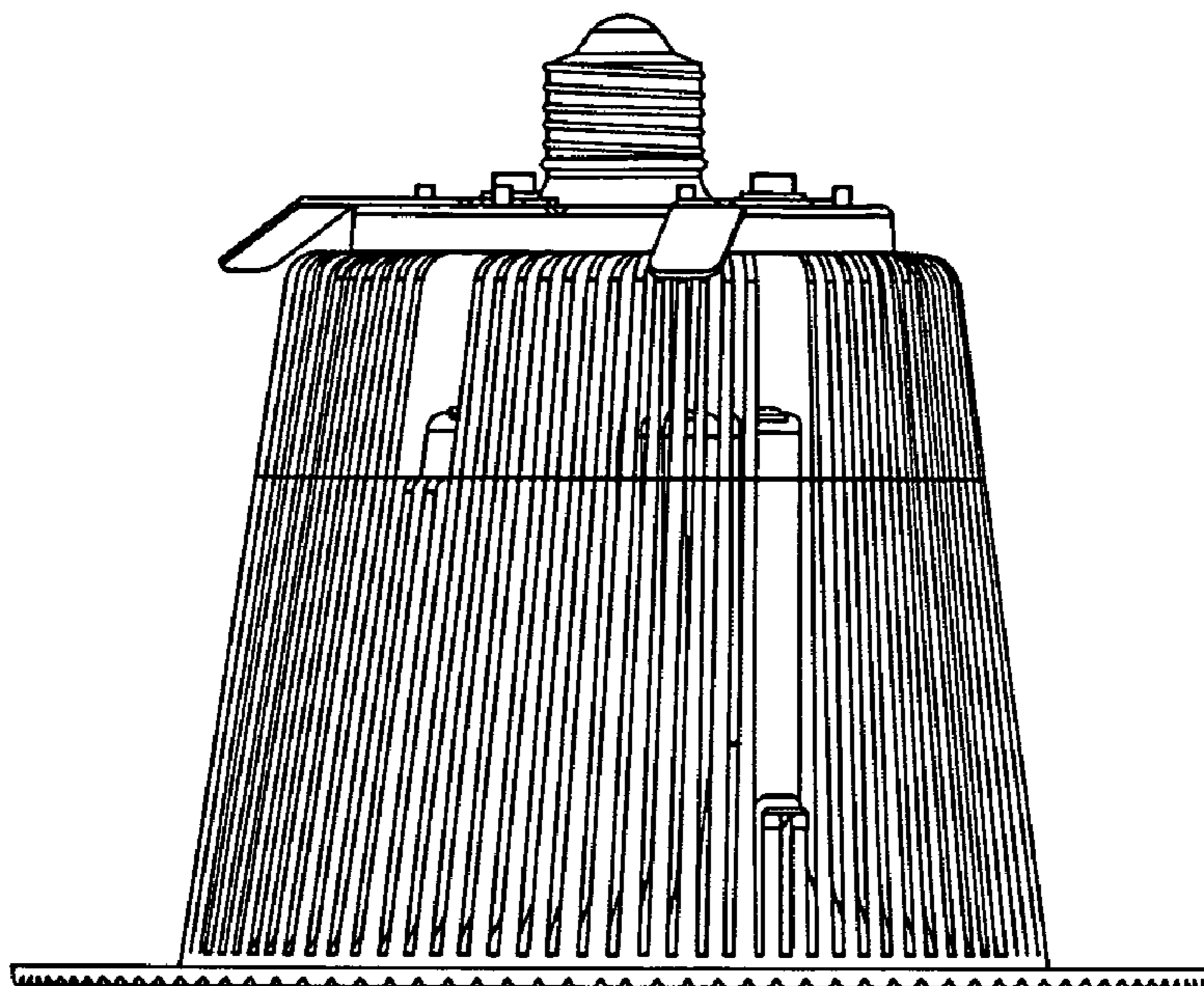


FIG. 1

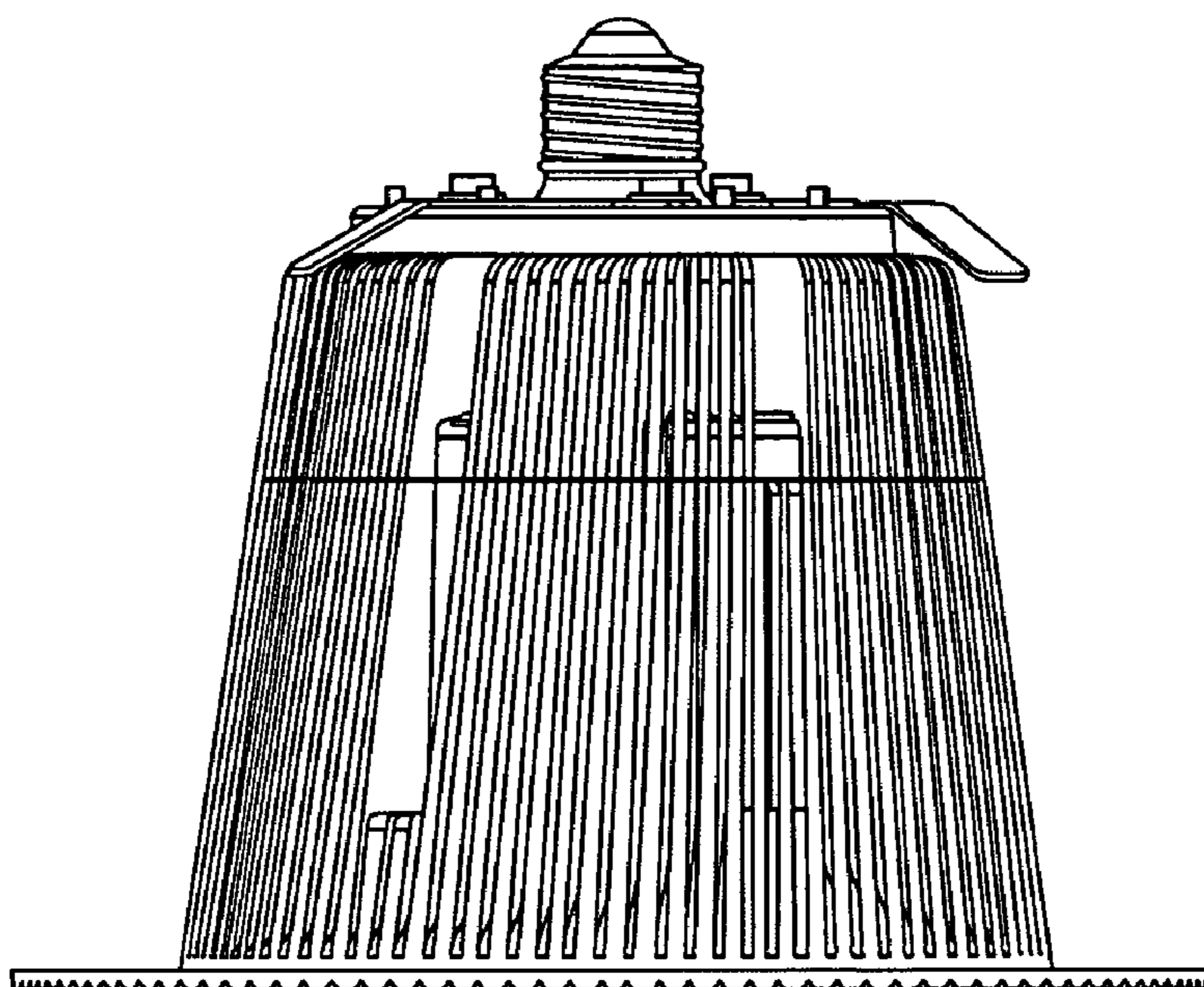


FIG. 2

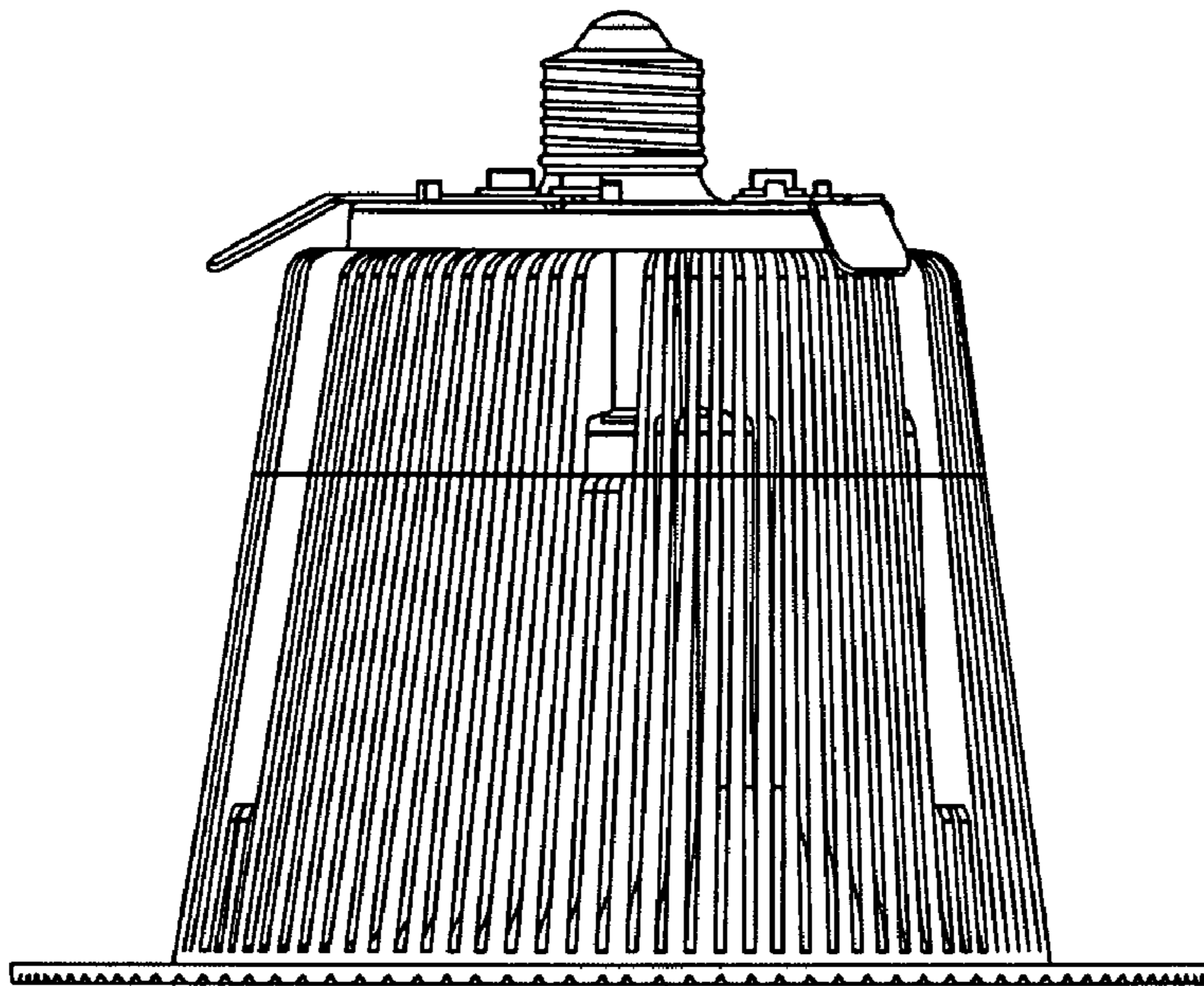


FIG. 3

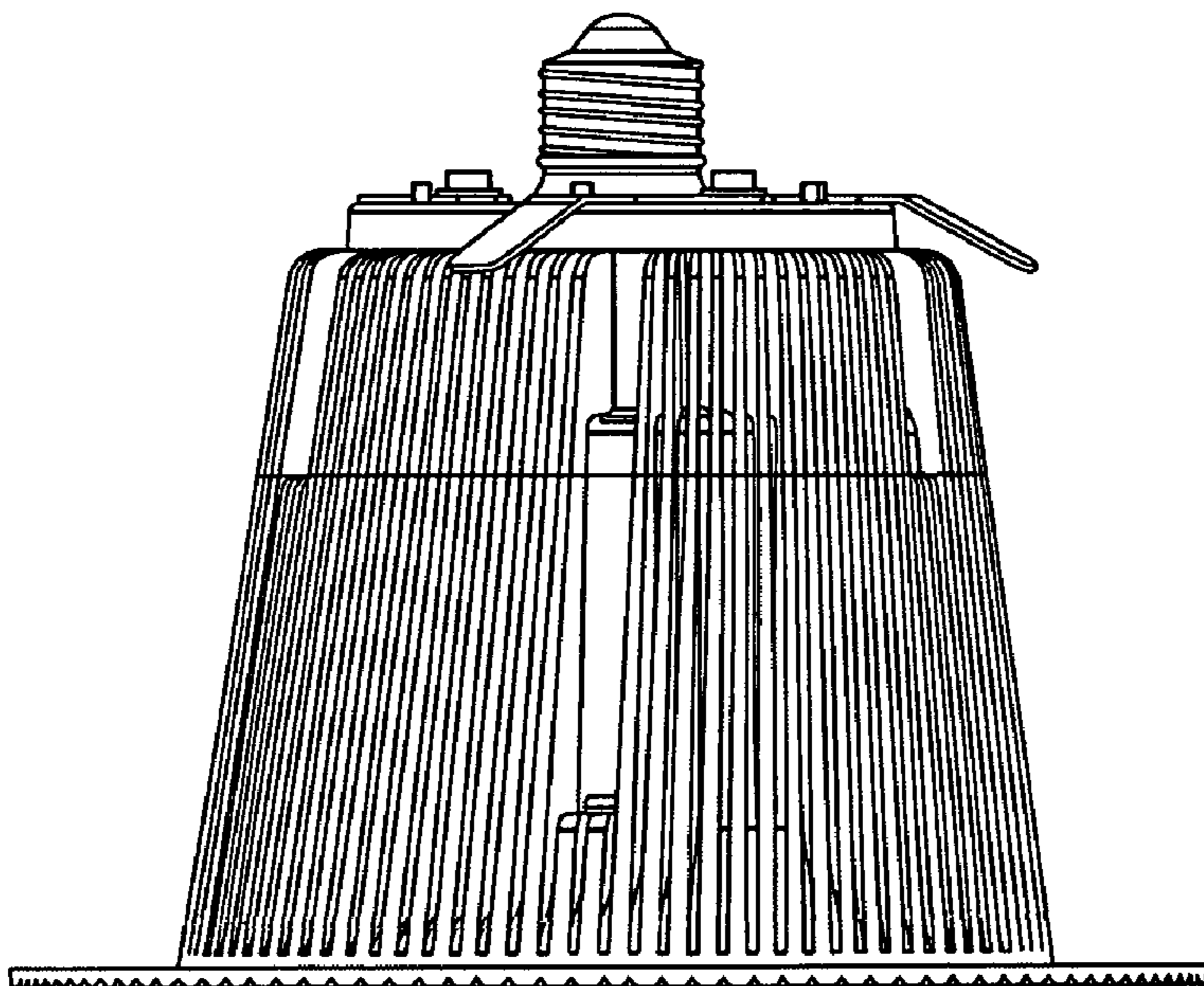


FIG. 4

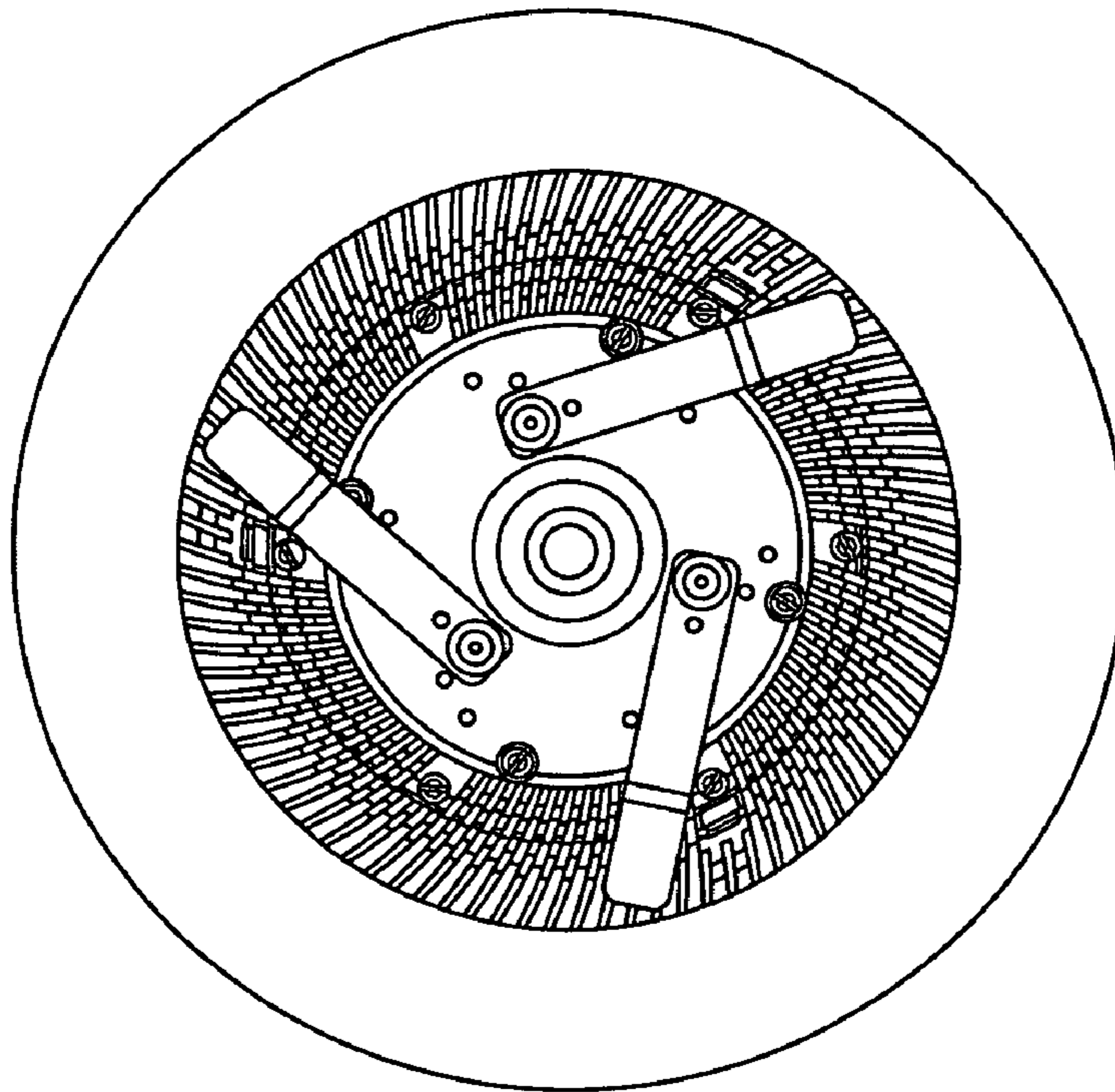


FIG. 5

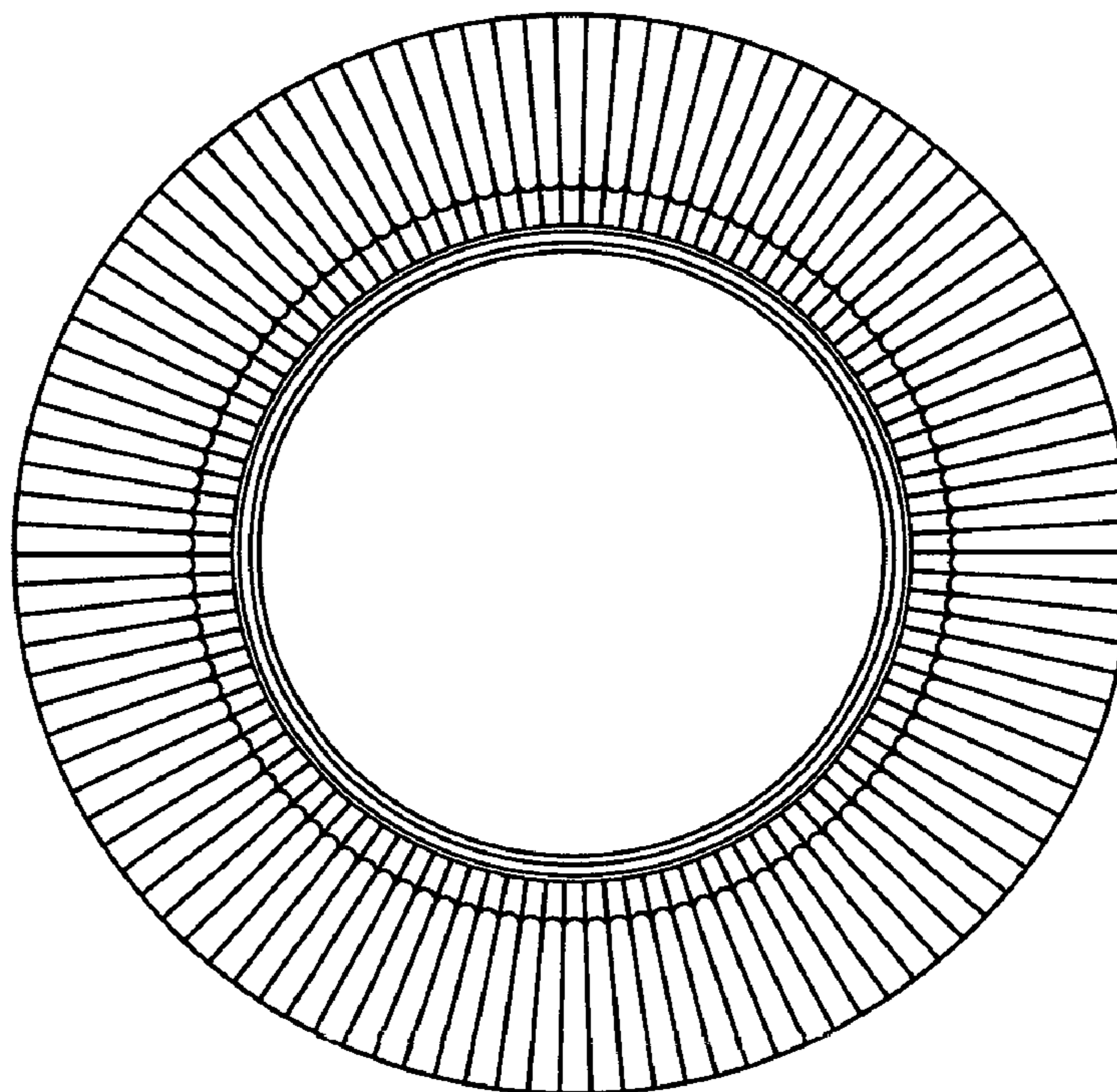
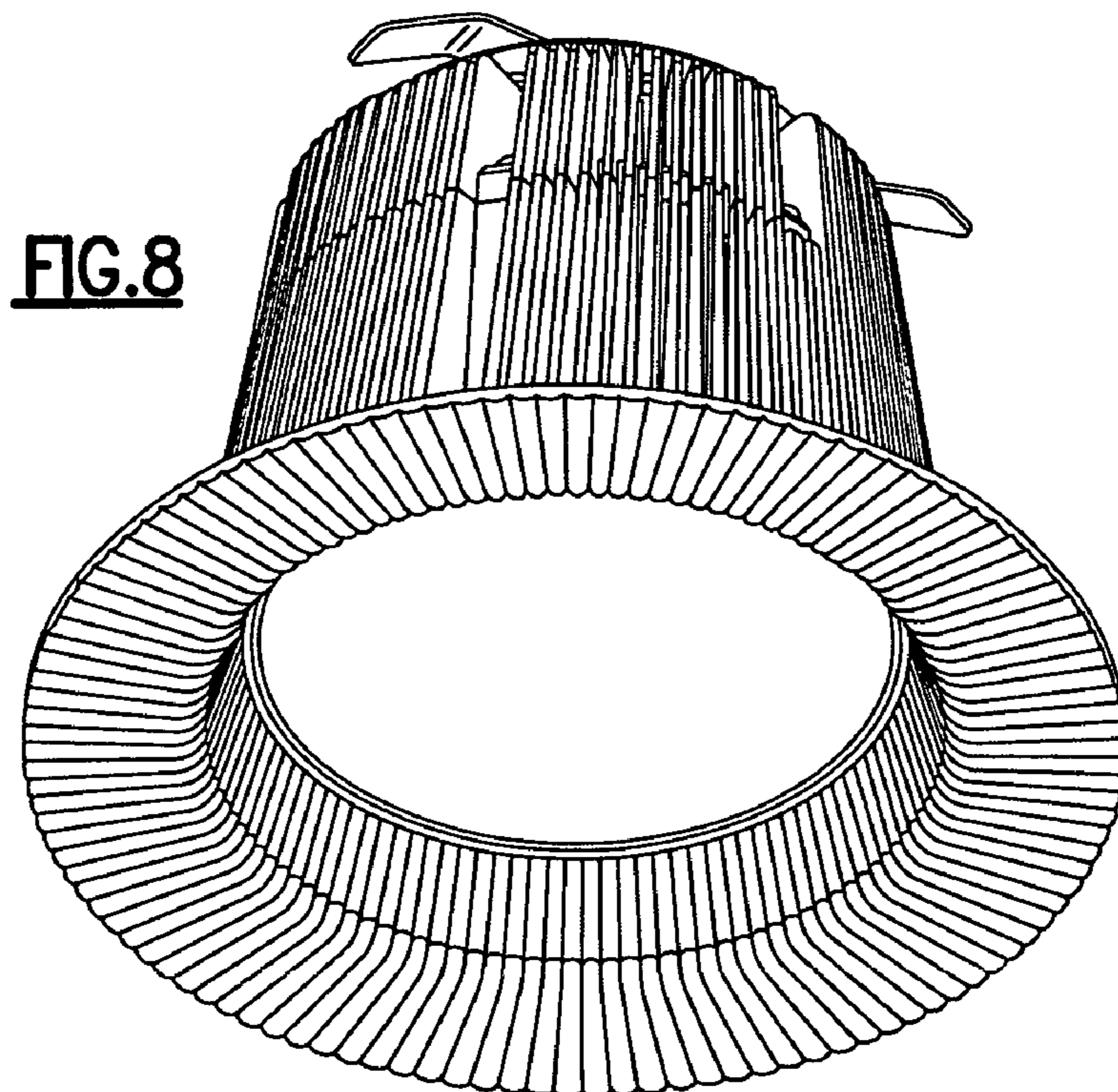
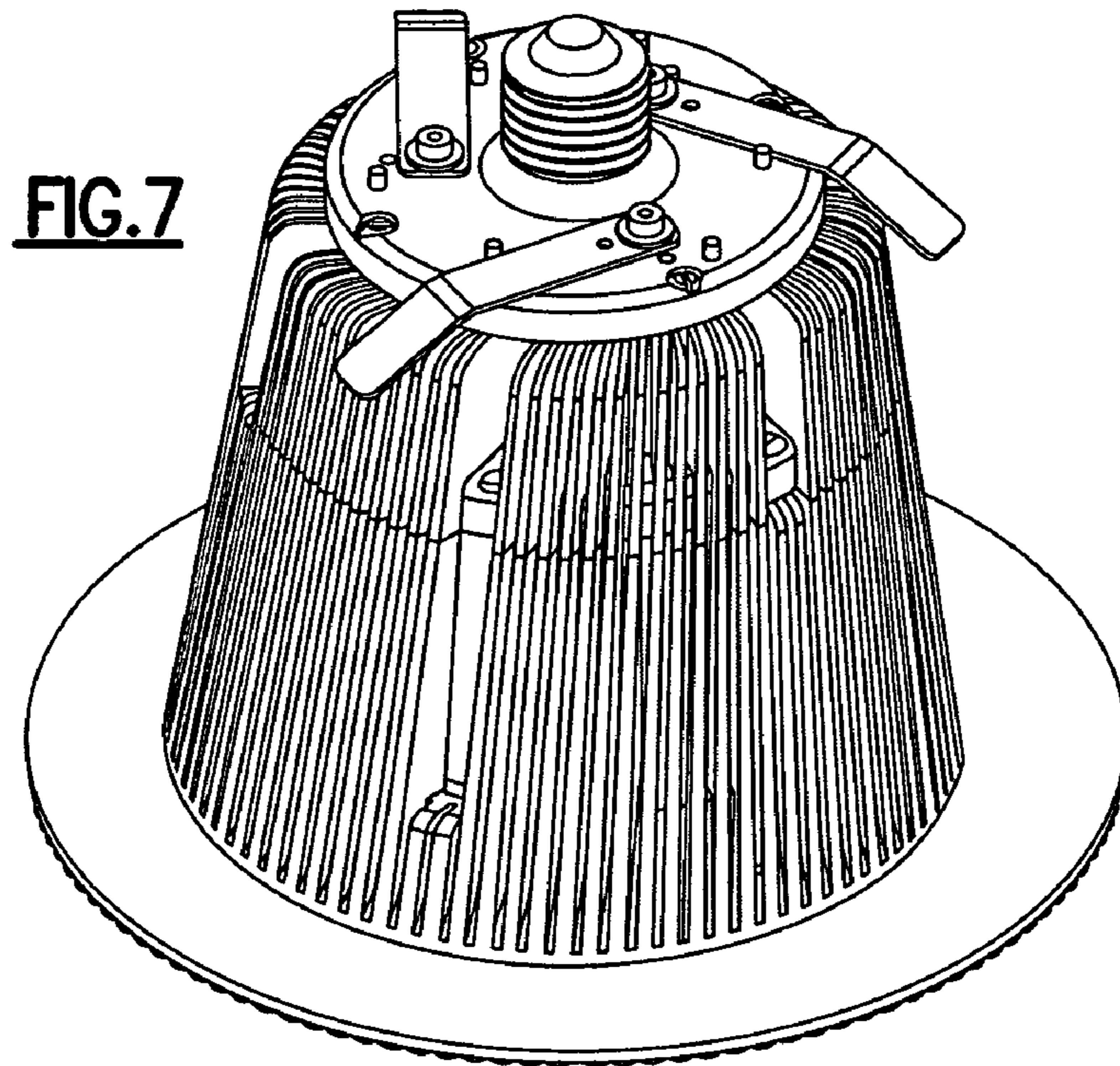


FIG. 6



UNITED STATES PATENT AND TRADEMARK OFFICE  
**CERTIFICATE OF CORRECTION**

PATENT NO. : Des. 581,082 S  
APPLICATION NO. : 29/295233  
DATED : November 18, 2008  
INVENTOR(S) : Wai Kwan Chan et al.

Page 1 of 1

It is certified that error appears in the above-identified patent and that said Letters Patent is hereby corrected as shown below:

On The Title Page, Item (56) Other Publications: please change "U.S. Appl. No. 29/279,581" to --U.S. Appl. No. 29/279,591--

Signed and Sealed this

Third Day of February, 2009



JOHN DOLL  
*Acting Director of the United States Patent and Trademark Office*