



US00D581081S

(12) **United States Design Patent**  
**Mier-Langner**

(10) **Patent No.:** **US D581,081 S**  
(45) **Date of Patent:** **\*\* Nov. 18, 2008**

(54) **LED LUMINAIRE**

(75) Inventor: **Alejandro Mier-Langner**, Providence, RI (US)

(73) Assignee: **Genlyte Thomas Group LLC**, Louisville, KY (US)

(\*\*) Term: **14 Years**

(21) Appl. No.: **29/317,698**

(22) Filed: **May 5, 2008**

(51) **LOC (8) Cl.** ..... **26-05**

(52) **U.S. Cl.** ..... **D26/72**

(58) **Field of Classification Search** ..... D26/1, D26/2, 24, 35-37, 72-92; D13/182; 362/100, 362/127, 133, 240, 605, 612, 613, 640, 646, 362/648

See application file for complete search history.

(56) **References Cited**

**U.S. PATENT DOCUMENTS**

3,450,870	A *	6/1969	Curl	.....	362/632
3,638,009	A *	1/1972	Strianese	.....	362/293
4,344,116	A *	8/1982	Martin	.....	362/644
D356,778	S *	3/1995	Takeda et al.	.....	D13/182
5,909,955	A *	6/1999	Roorda	.....	362/368
6,491,413	B1 *	12/2002	Benesohn	.....	362/294

7,063,441	B2 *	6/2006	Kramer et al.	.....	362/240
2004/0017681	A1 *	1/2004	Lee	.....	362/133
2006/0152945	A1 *	7/2006	Lantzsch et al.	.....	362/640
2007/0047224	A1 *	3/2007	Lee	.....	362/132

\* cited by examiner

*Primary Examiner*—Clare E Heflin

(74) *Attorney, Agent, or Firm*—John F. Salazar; Middleton Reutilinger

(57) **CLAIM**

The ornamental design for an LED luminaire, as shown and described.

**DESCRIPTION**

FIG. 1 is a lower perspective view of the LED luminaire of the present invention;

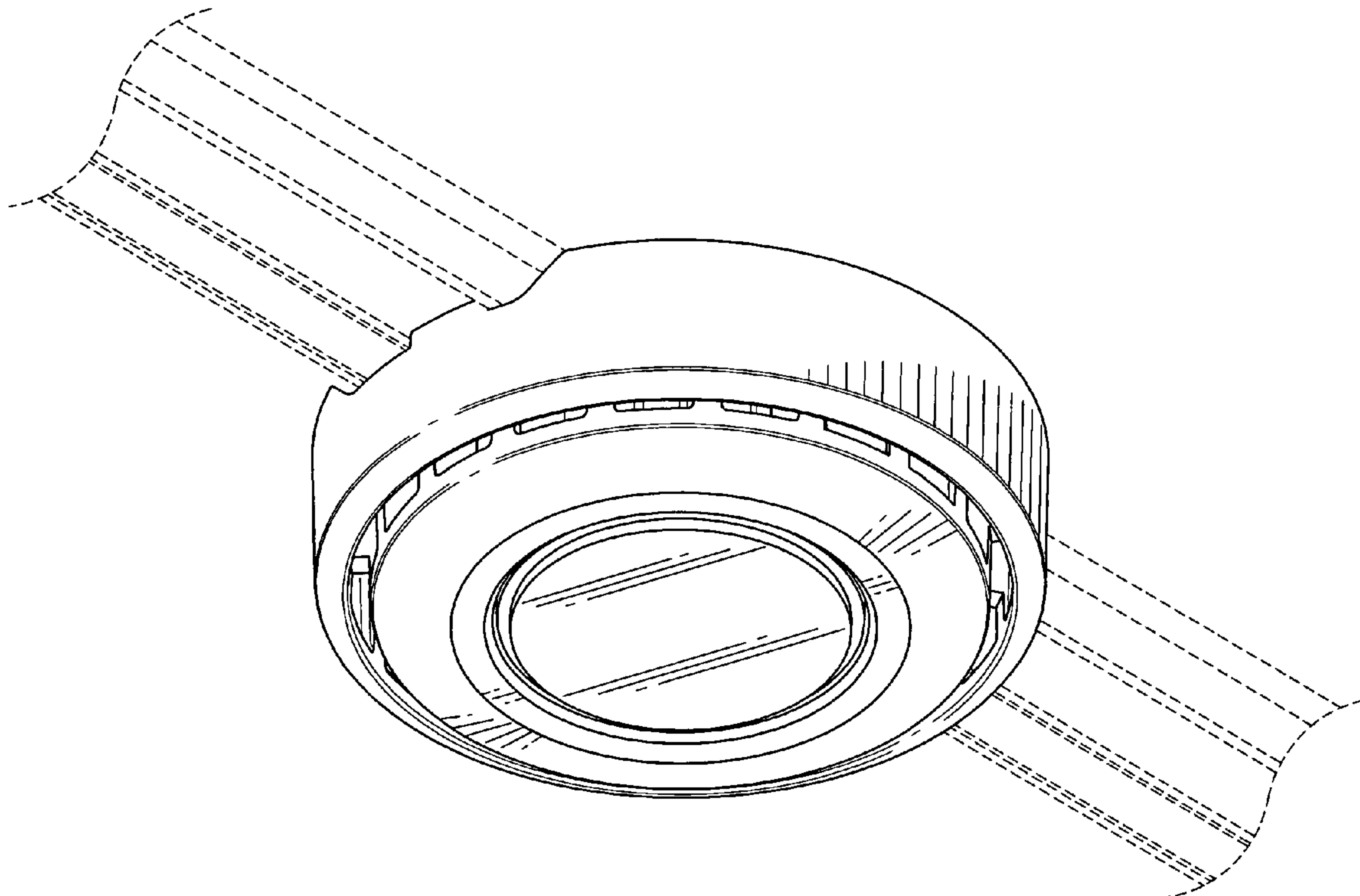
FIG. 2 is a bottom view of the design of the present invention;

FIG. 3 is a right side view of the design of the present invention; the left side view being a mirror image of the view shown in FIG. 3 and is not included; and,

FIG. 4 is a front view of the design of the present invention.

The broken lines showing environmental structure are for illustrative purposes only and form no part of the claimed design.

**1 Claim, 3 Drawing Sheets**



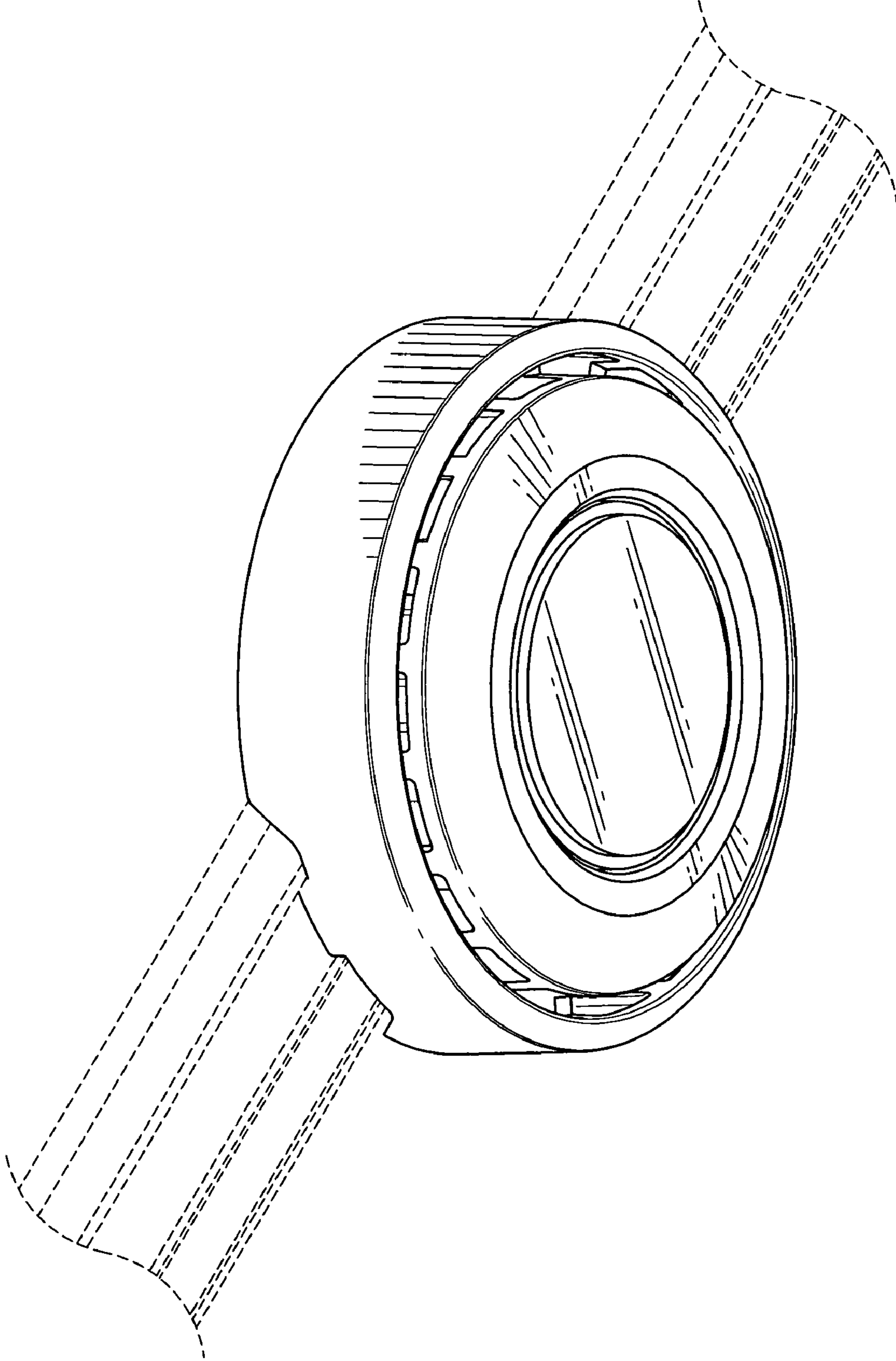


FIG. 1

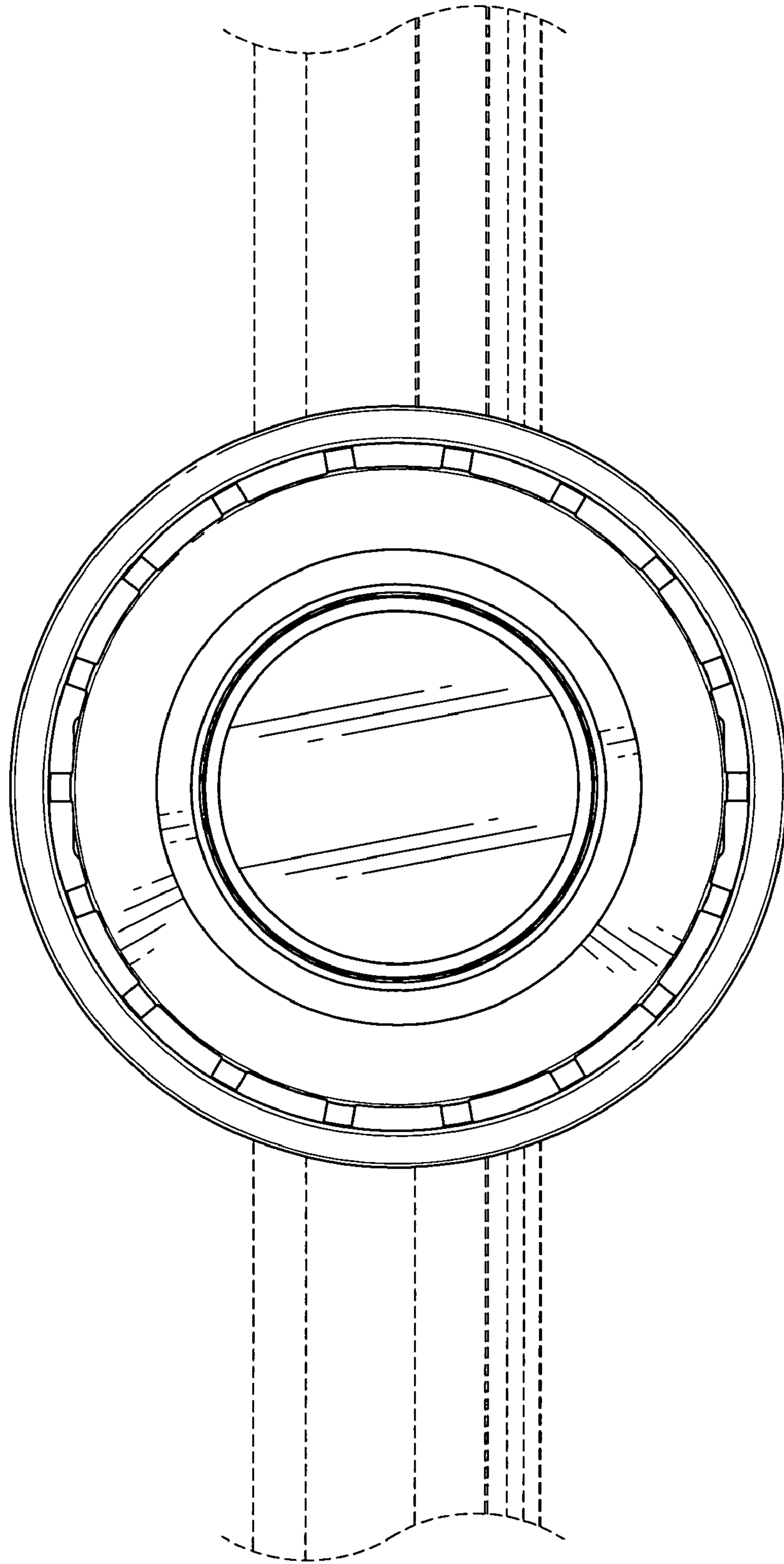


FIG. 2

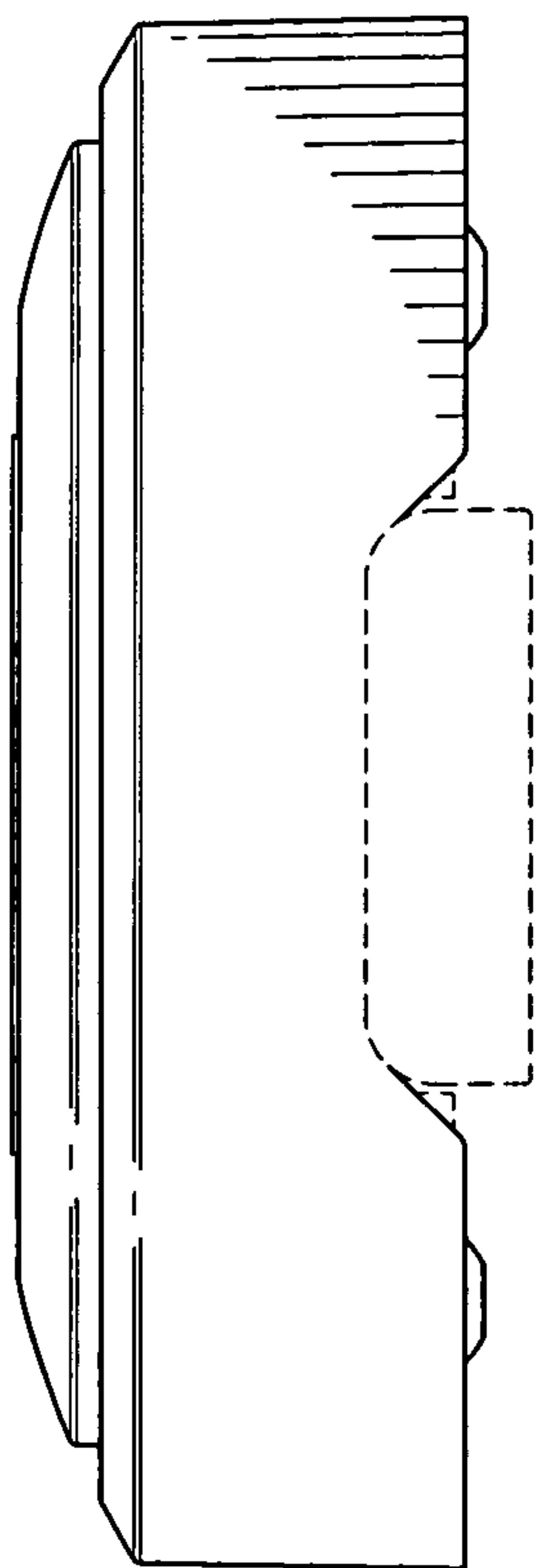


FIG. 3

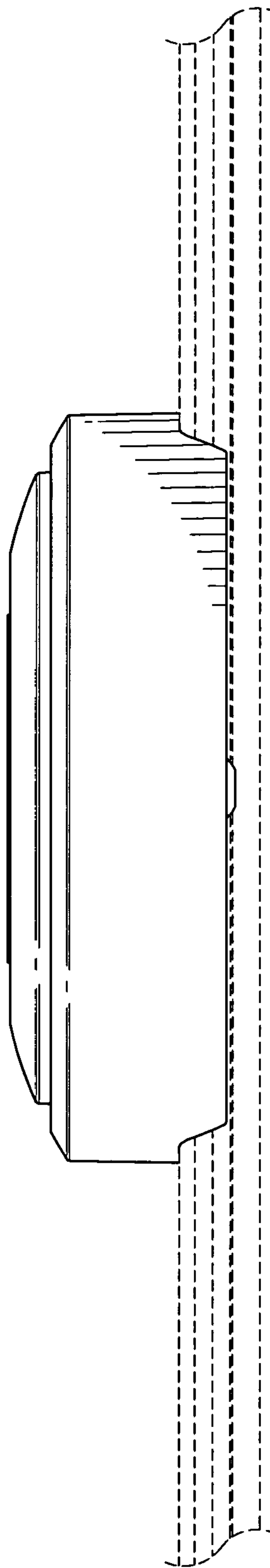


FIG. 4