



US00D581080S

(12) **United States Design Patent**
Mier-Langner

(10) **Patent No.:** **US D581,080 S**
(45) **Date of Patent:** **** Nov. 18, 2008**

(54) **LED LUMINAIRE**

FOREIGN PATENT DOCUMENTS

(75) **Inventor:** **Alejandro Mier-Langner**, Providence, RI (US)

JP 02037608 A * 2/1990

* cited by examiner

(73) **Assignee:** **Genlyte Thomas Group LLC**, Louisville, KY (US)

Primary Examiner—Clare E Heflin

(74) *Attorney, Agent, or Firm*—John F. Salazar; Middleton Reutlinger

(**) **Term:** **14 Years**

(57) **CLAIM**

(21) **Appl. No.:** **29/317,604**

The ornamental design for an LED luminaire, as shown and described.

(22) **Filed:** **May 2, 2008**

(51) **LOC (8) Cl.** **26-05**

(52) **U.S. Cl.** **D26/72; D26/76; D26/63**

(58) **Field of Classification Search** D26/1, D26/2, 24, 76-78, 80, 86, 37, 72, 63; D13/182; 362/100, 127, 133, 240, 605, 612, 613, 640, 362/646, 648

See application file for complete search history.

DESCRIPTION

FIG. 1 is an upper perspective view of the LED luminaire of the present invention;

FIG. 2 is a front view of the design of the present invention;

FIG. 3 is a top view of the design of the present invention;

FIG. 4 is a bottom view of the design of the present invention;

FIG. 5 is a rear view of the design of the present invention;

FIG. 6 is a right side view of the design of the present invention, the left side view being a mirror image of the right side view, and is not included; and,

FIG. 7 is a right side view of an alternate position of the luminaire shown in FIG. 6, the left side view being a mirror image of the right side view, and is not included.

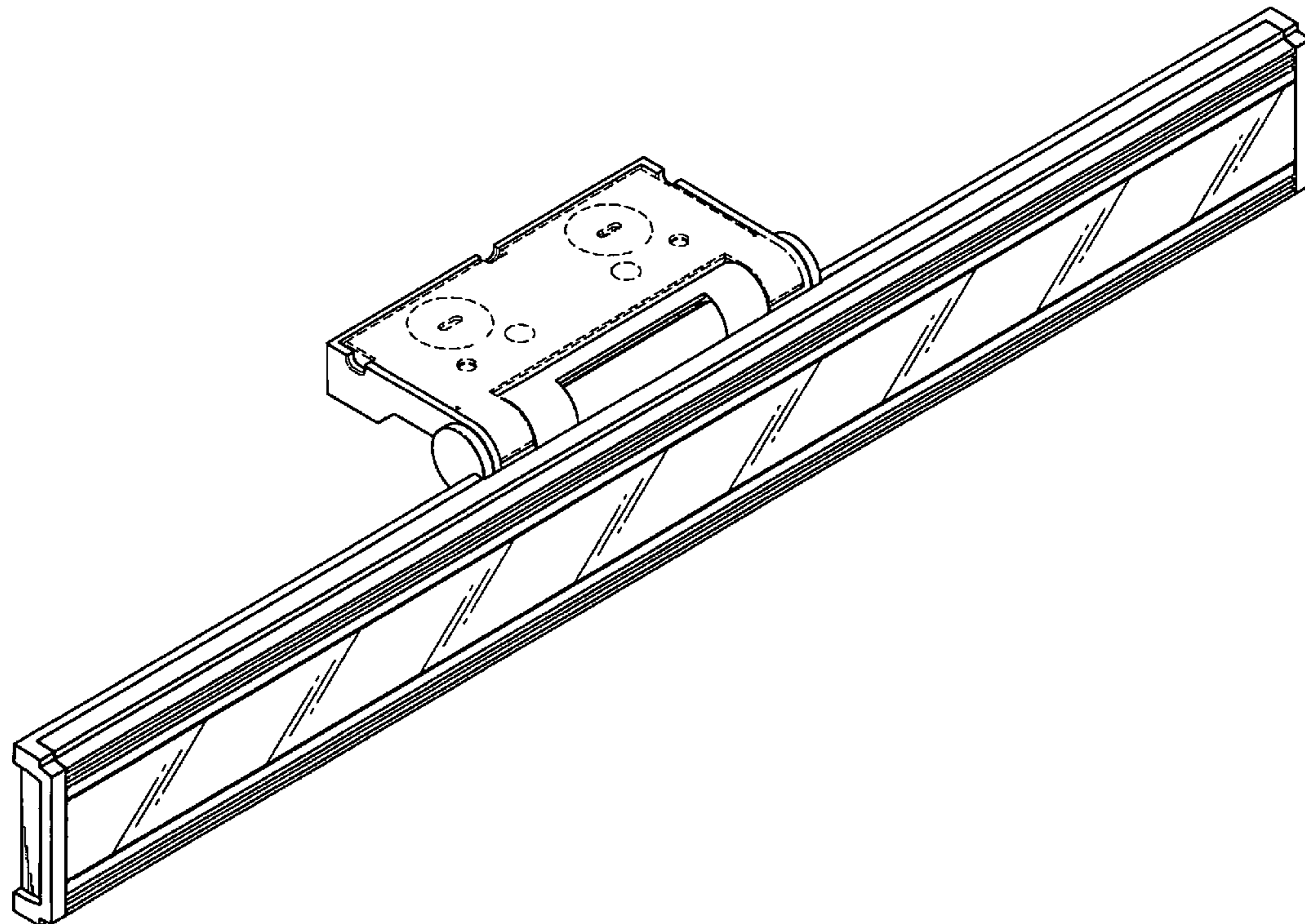
The broken lines showing environmental structure are for illustrative purposes only and form no part of the claimed design.

(56) **References Cited**

U.S. PATENT DOCUMENTS

D125,468 S *	2/1941	Dreyfuss	D26/24
D209,982 S *	1/1968	Cohen	D26/24
D306,909 S *	3/1990	Kelley et al.	D26/24
D393,734 S *	4/1998	Casteel	D26/76
6,386,723 B1 *	5/2002	Eberlein et al.	362/33
D527,131 S *	8/2006	McCarthy, III	D26/63
D563,013 S *	2/2008	Levine	D26/63
D569,027 S *	5/2008	Hakamada	D26/76

1 Claim, 7 Drawing Sheets



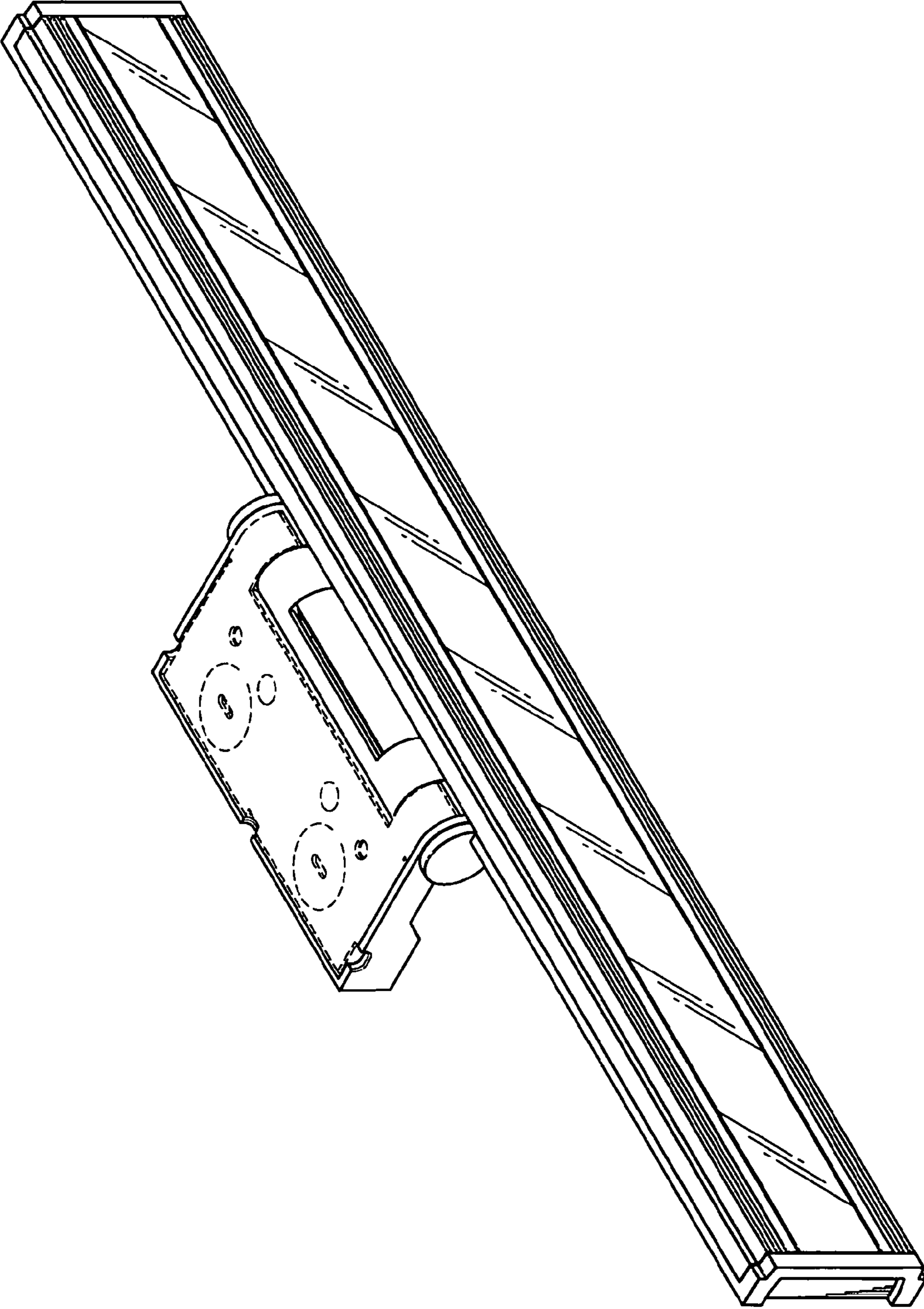


FIG. 1

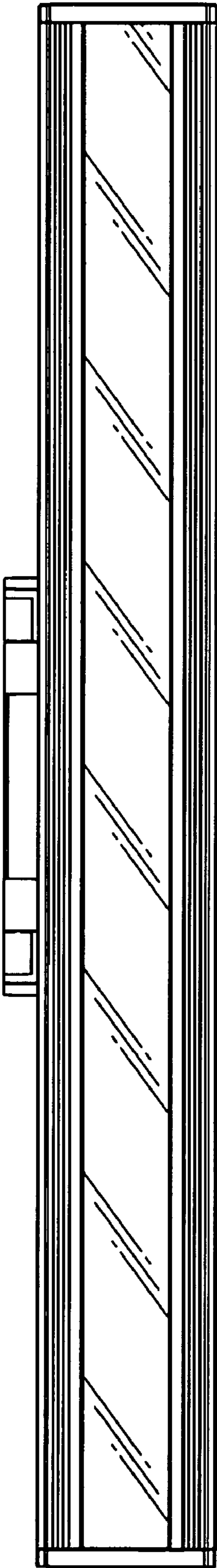


FIG. 2

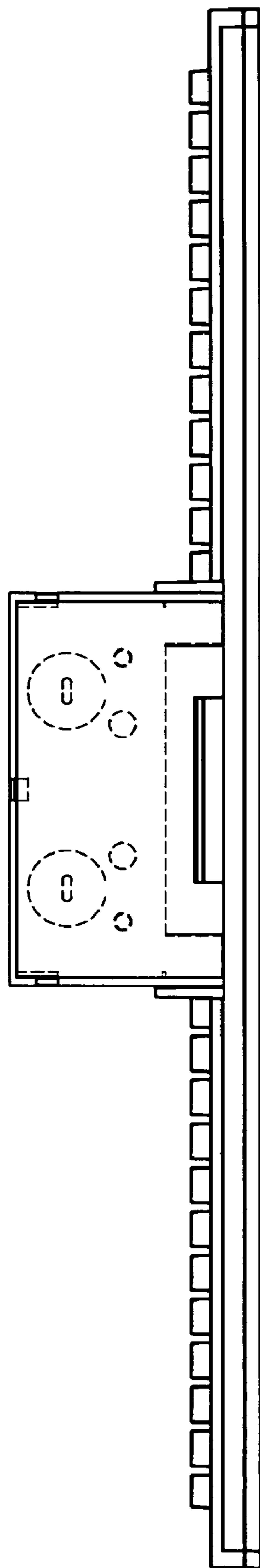


FIG. 3

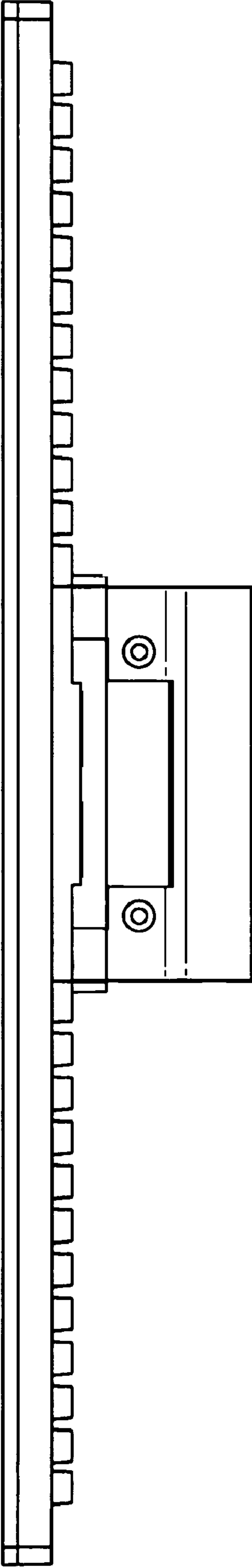


FIG. 4

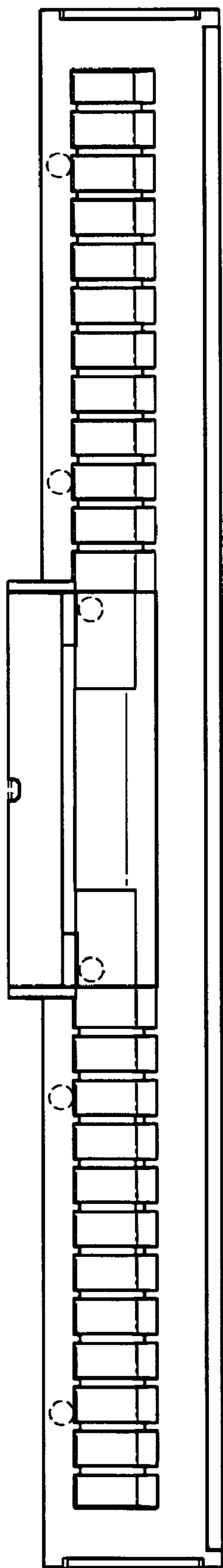


FIG. 5

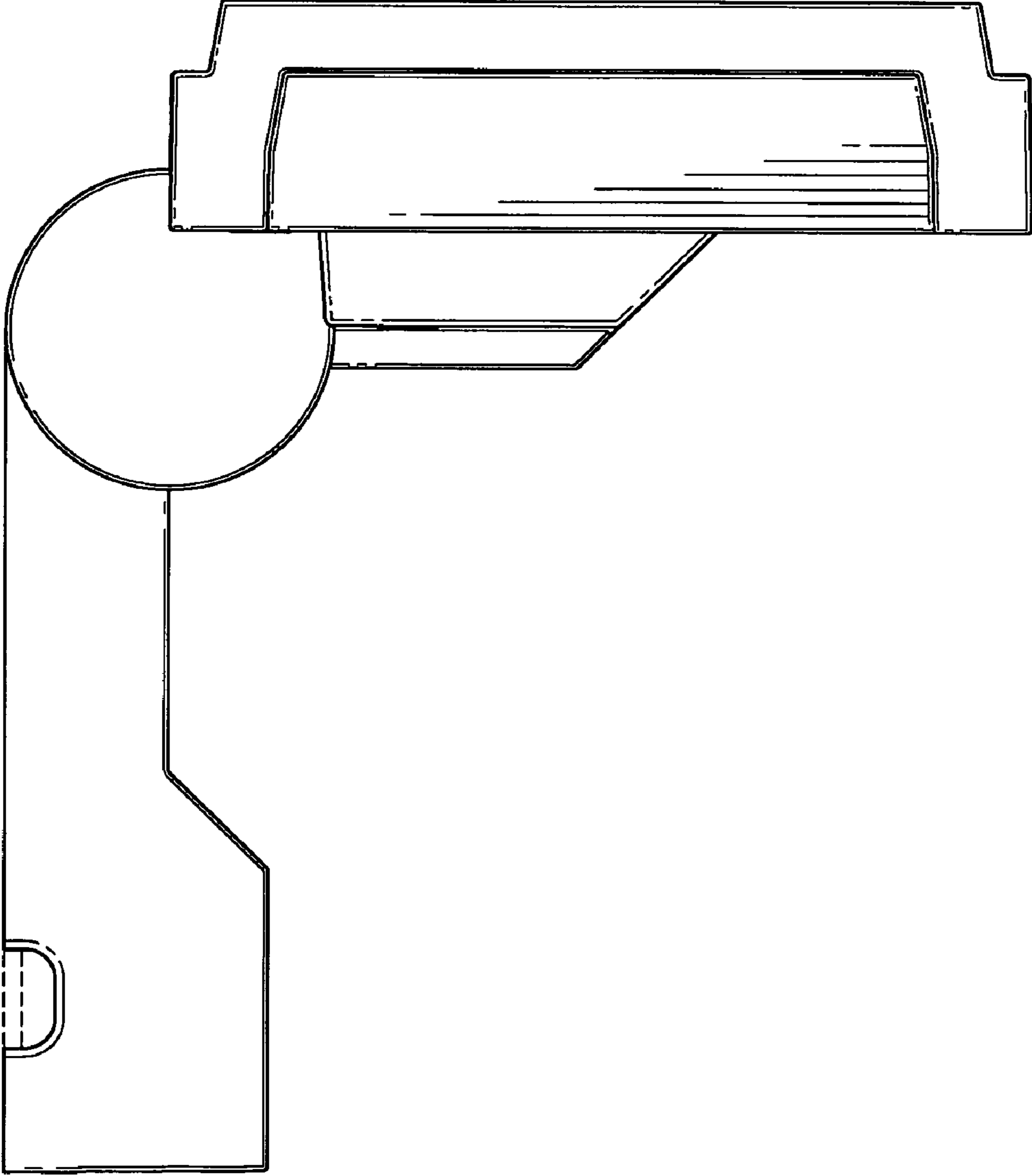


FIG. 6

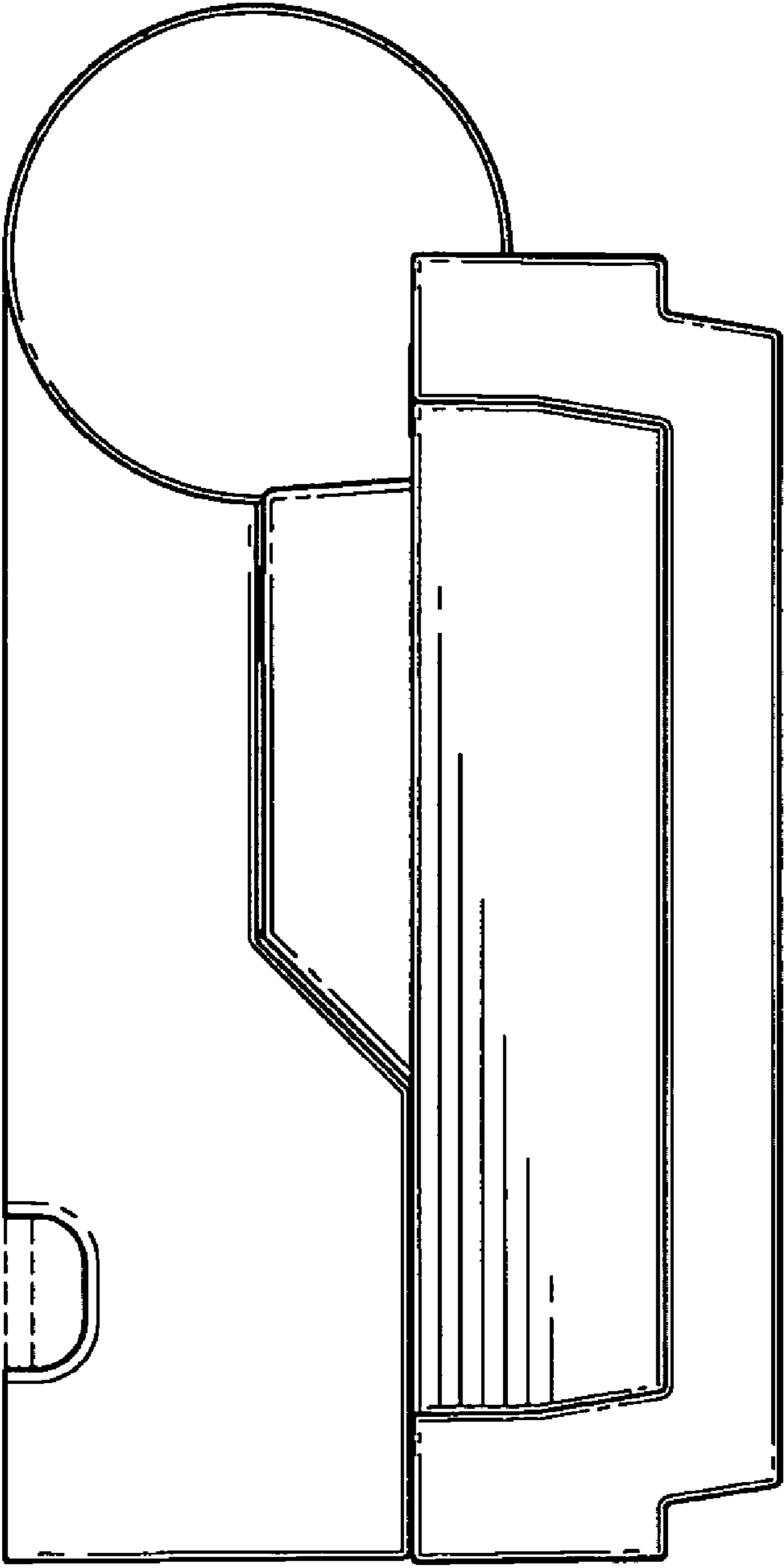


FIG. 7