



US00D581076S

(12) **United States Design Patent**
Brown et al.

(10) **Patent No.:** **US D581,076 S**
(45) **Date of Patent:** **** Nov. 18, 2008**

(54) **LIGHTING DEVICE**

(75) Inventors: **John R. Brown**, Mosman (AU);
Timothy Rugendyke, Woy Woy (AU);
David Spartano, Brunswick, OH (US)

(73) Assignee: **Eveready Battery Company, Inc.**, St. Louis, MO (US)

(**) Term: **14 Years**

(21) Appl. No.: **29/288,262**

(22) Filed: **Jun. 6, 2007**

(51) **LOC (8) Cl.** **26-02**

(52) **U.S. Cl.** **D26/40**

(58) **Field of Classification Search** D26/24,
D26/37, 40, 93, 104, 106-108, 110-112;
362/171-174

See application file for complete search history.

(56) **References Cited**

U.S. PATENT DOCUMENTS

2,656,452 A * 10/1953 Phils 362/231
D365,164 S * 12/1995 Yuen D26/48

* cited by examiner

Primary Examiner—Ian Simmons

Assistant Examiner—Dana L Sipos

(74) *Attorney, Agent, or Firm*—Gregory J. Adams

(57) **CLAIM**

We claim the ornamental design for a lighting device, as shown and described.

DESCRIPTION

FIG. 1 is a top, front, right side perspective view of a lighting device showing our new design;

FIG. 2 is a bottom front, left side perspective view thereof;

FIG. 3 is a front elevation view thereof;

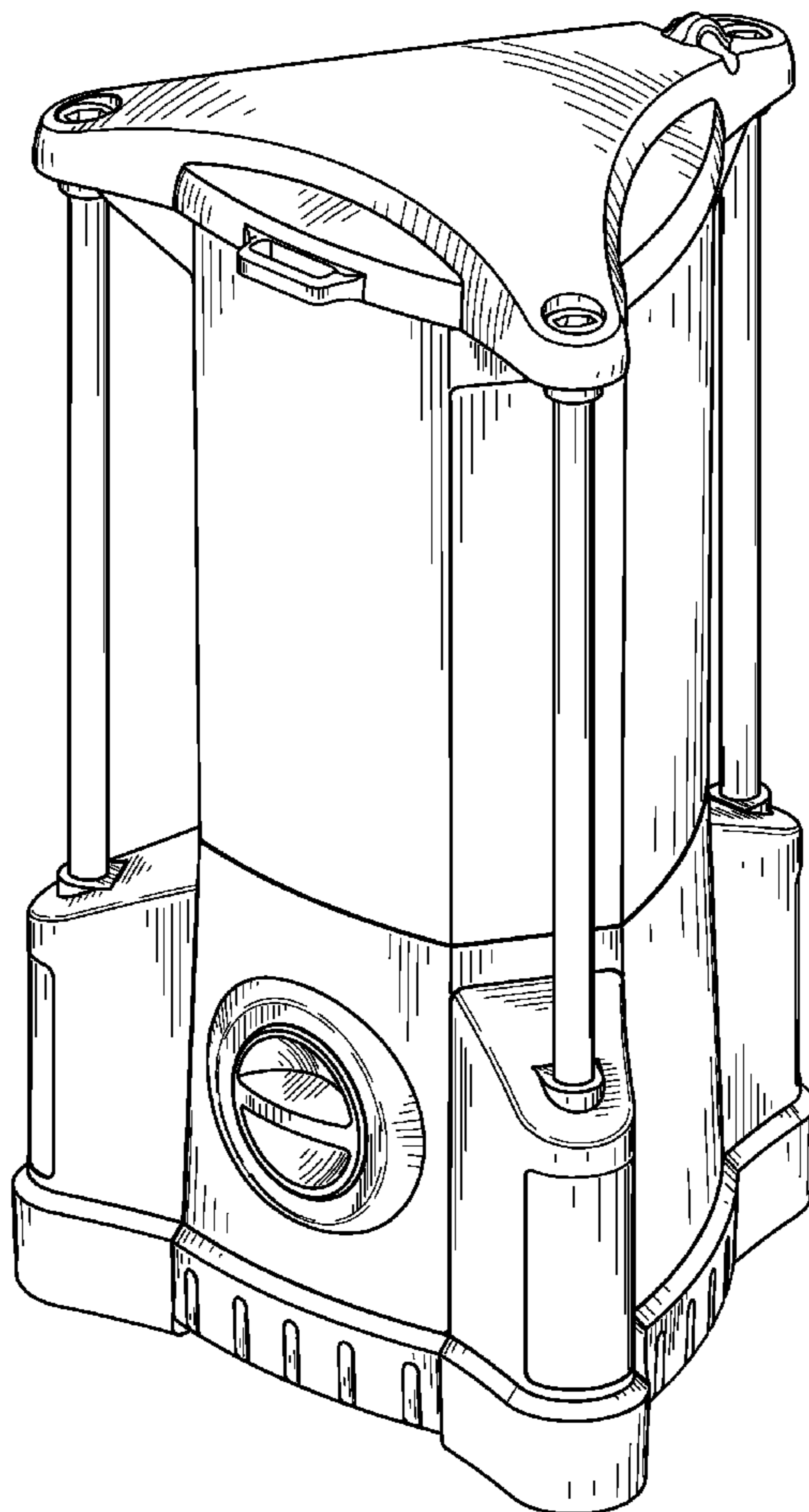
FIG. 4 is a rear elevation view thereof;

FIG. 5 is a left side elevation view thereof, the right side elevation view being a mirror image;

FIG. 6 is a top plan view thereof; and,

FIG. 7 is a bottom plan view thereof.

1 Claim, 6 Drawing Sheets



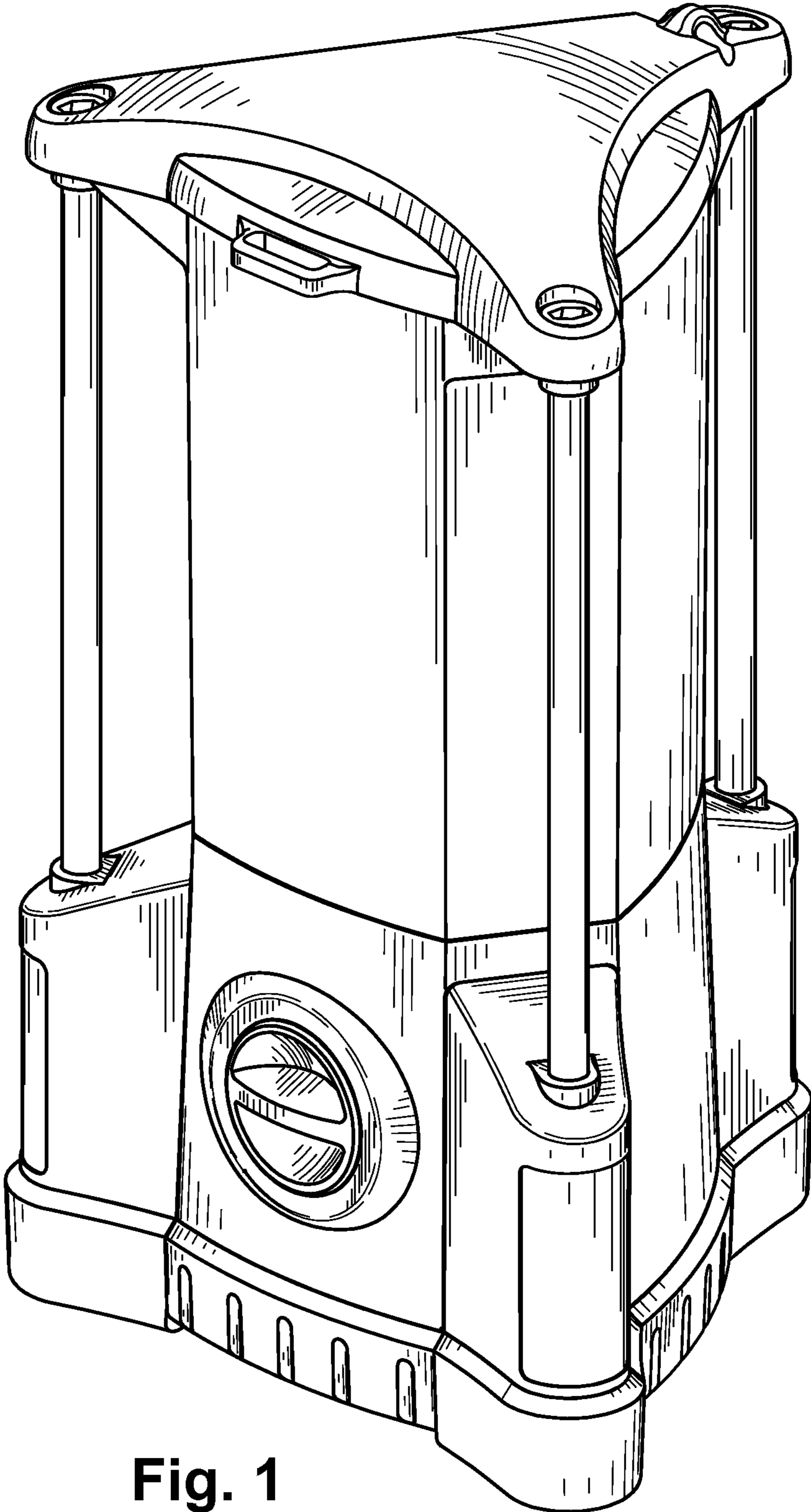


Fig. 1

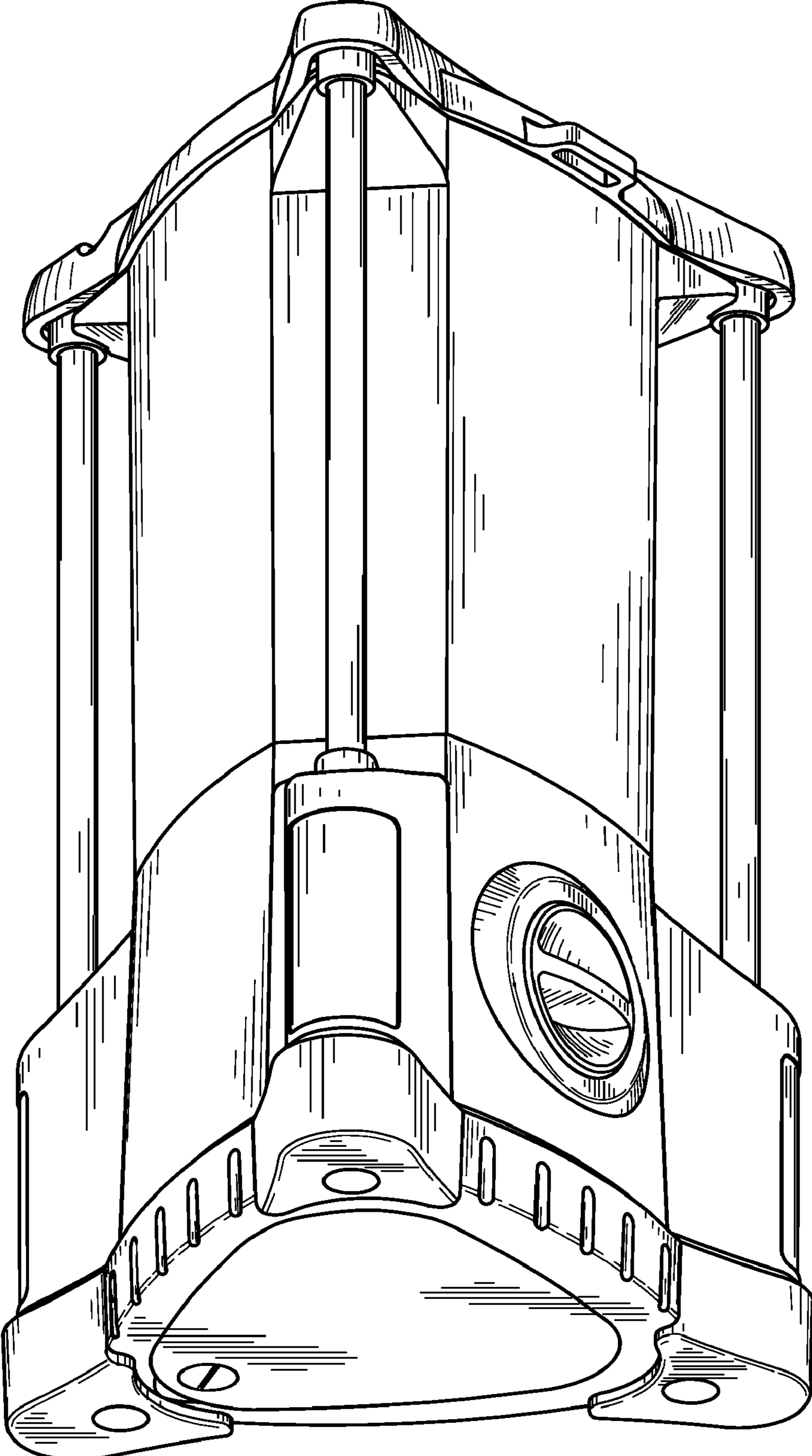


Fig. 2

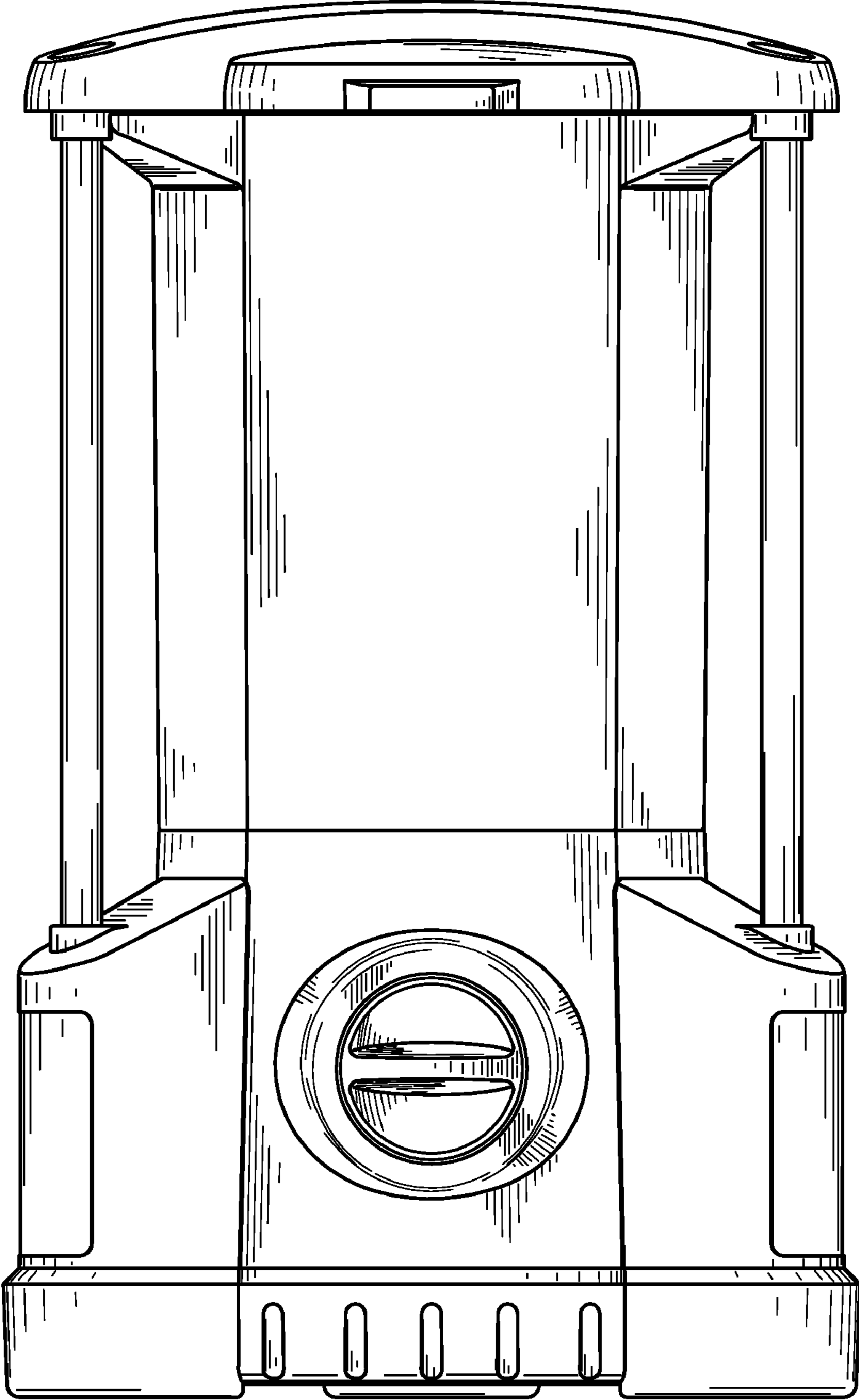


Fig. 3

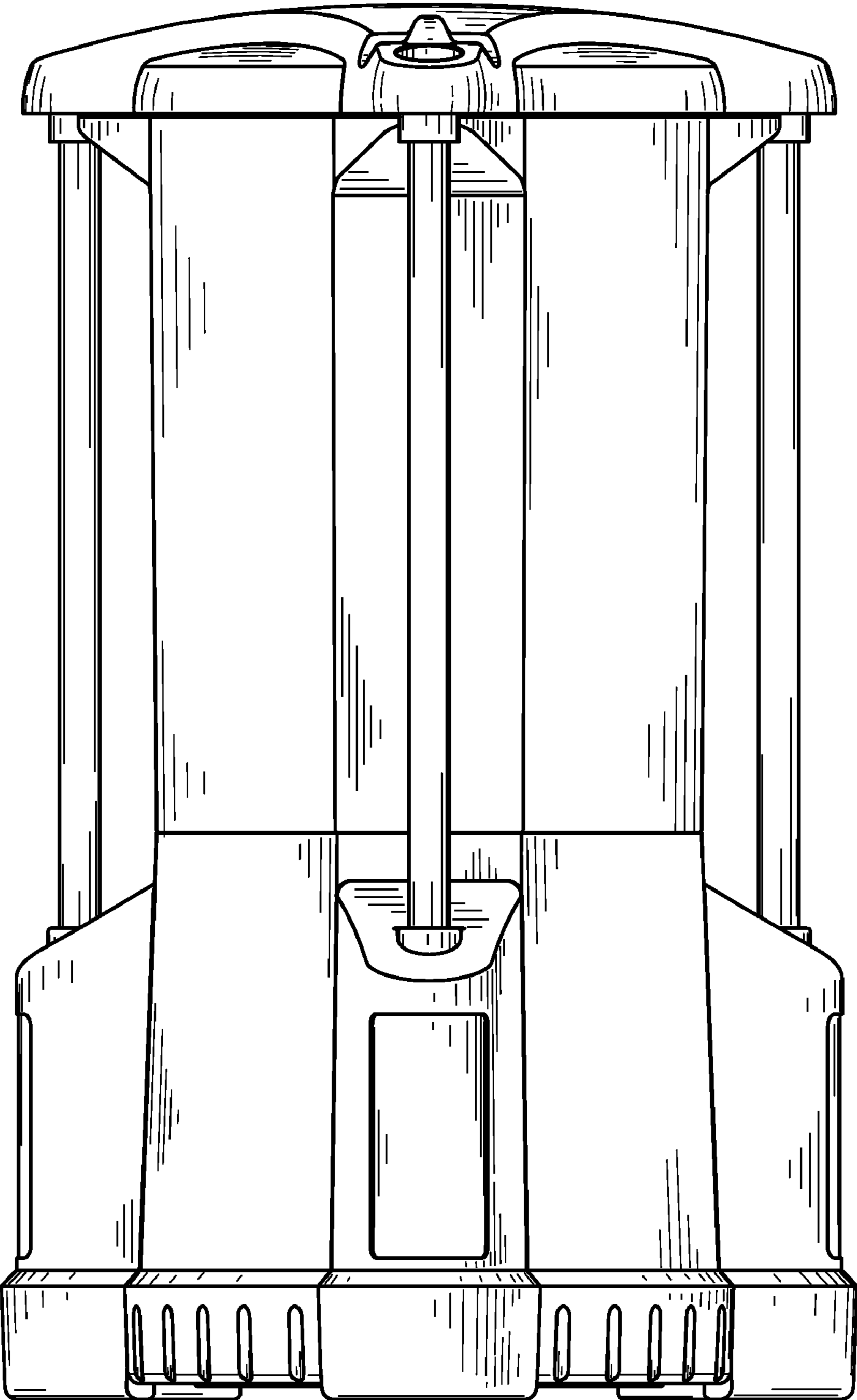


Fig. 4

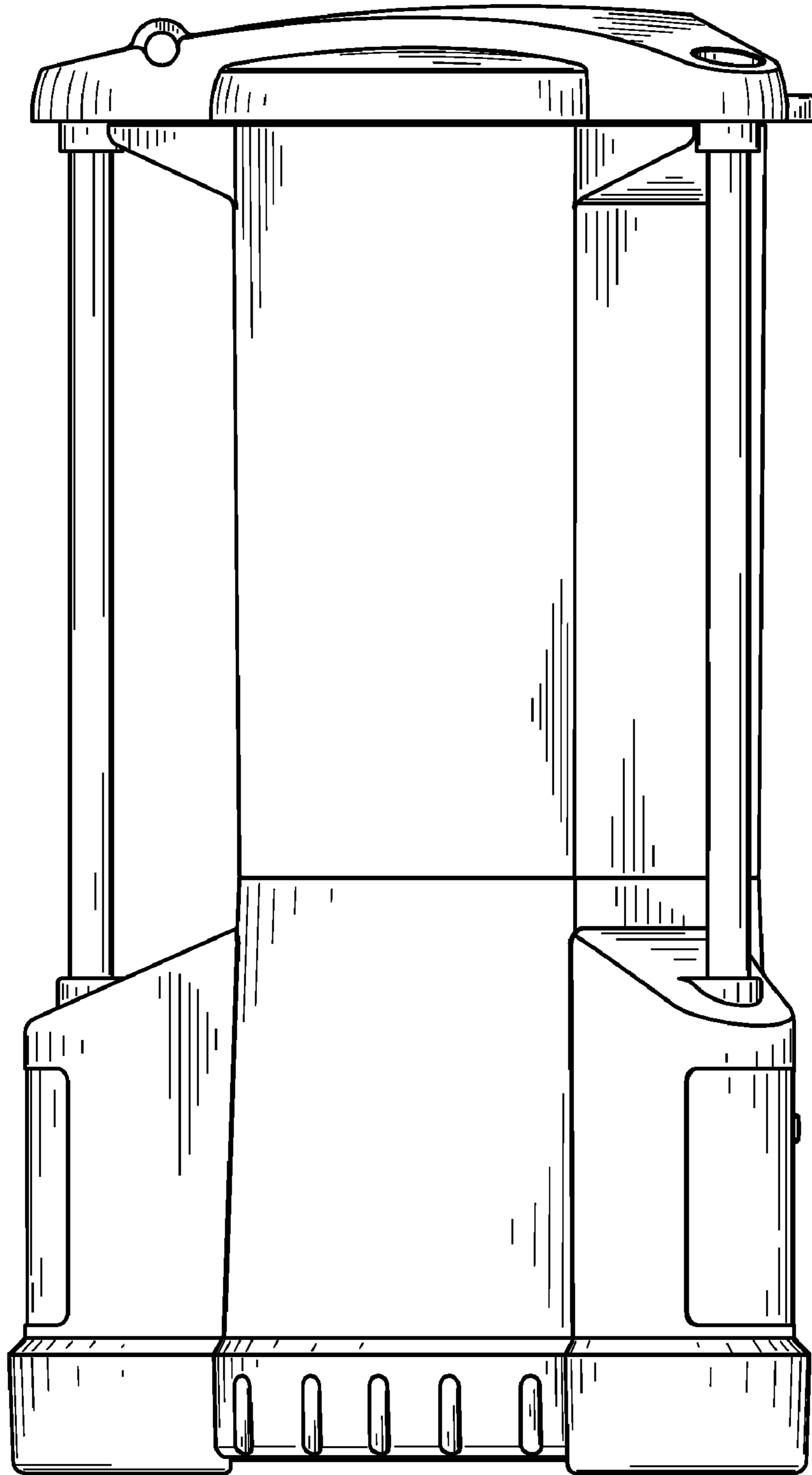


Fig. 5

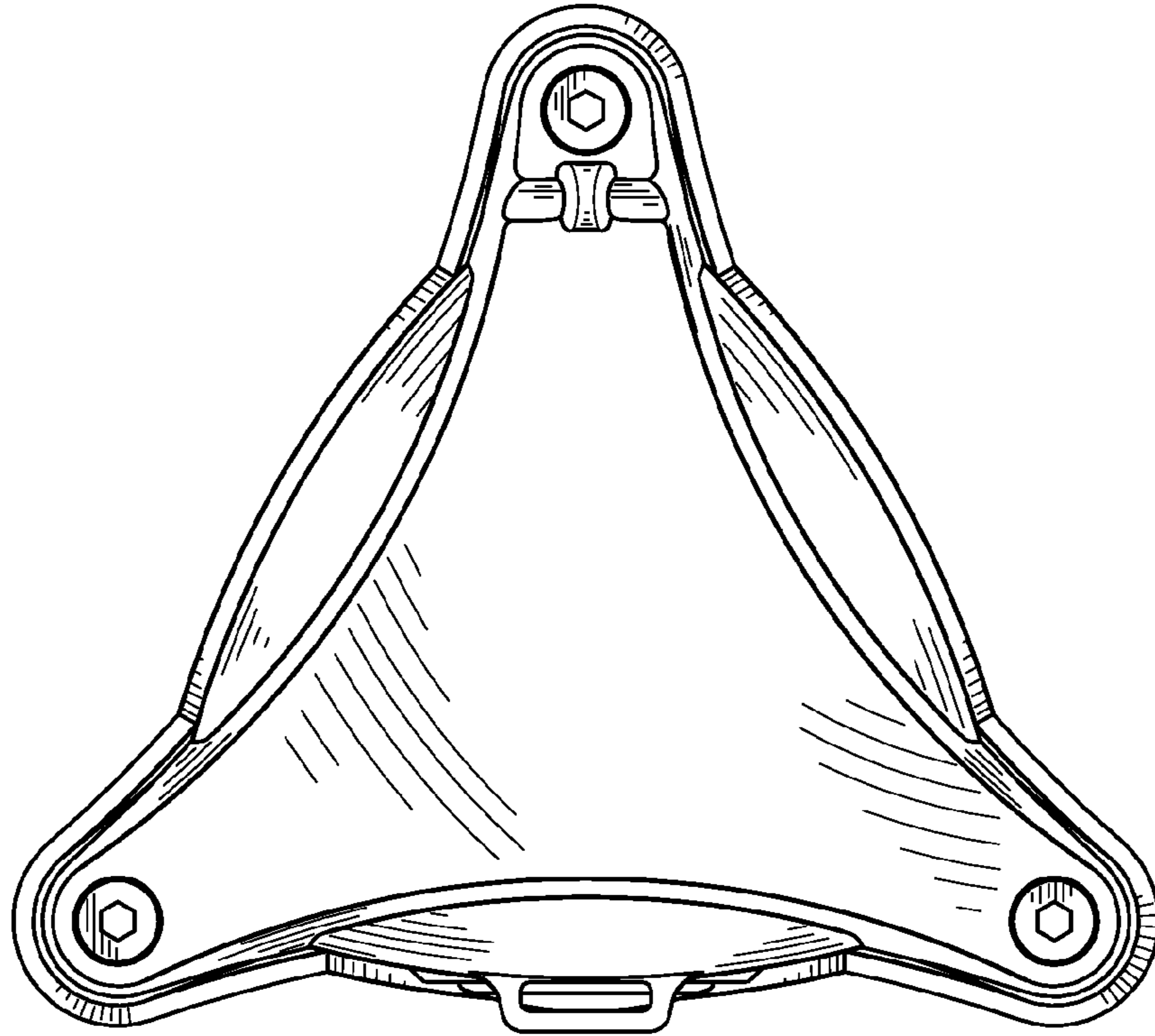


Fig. 6

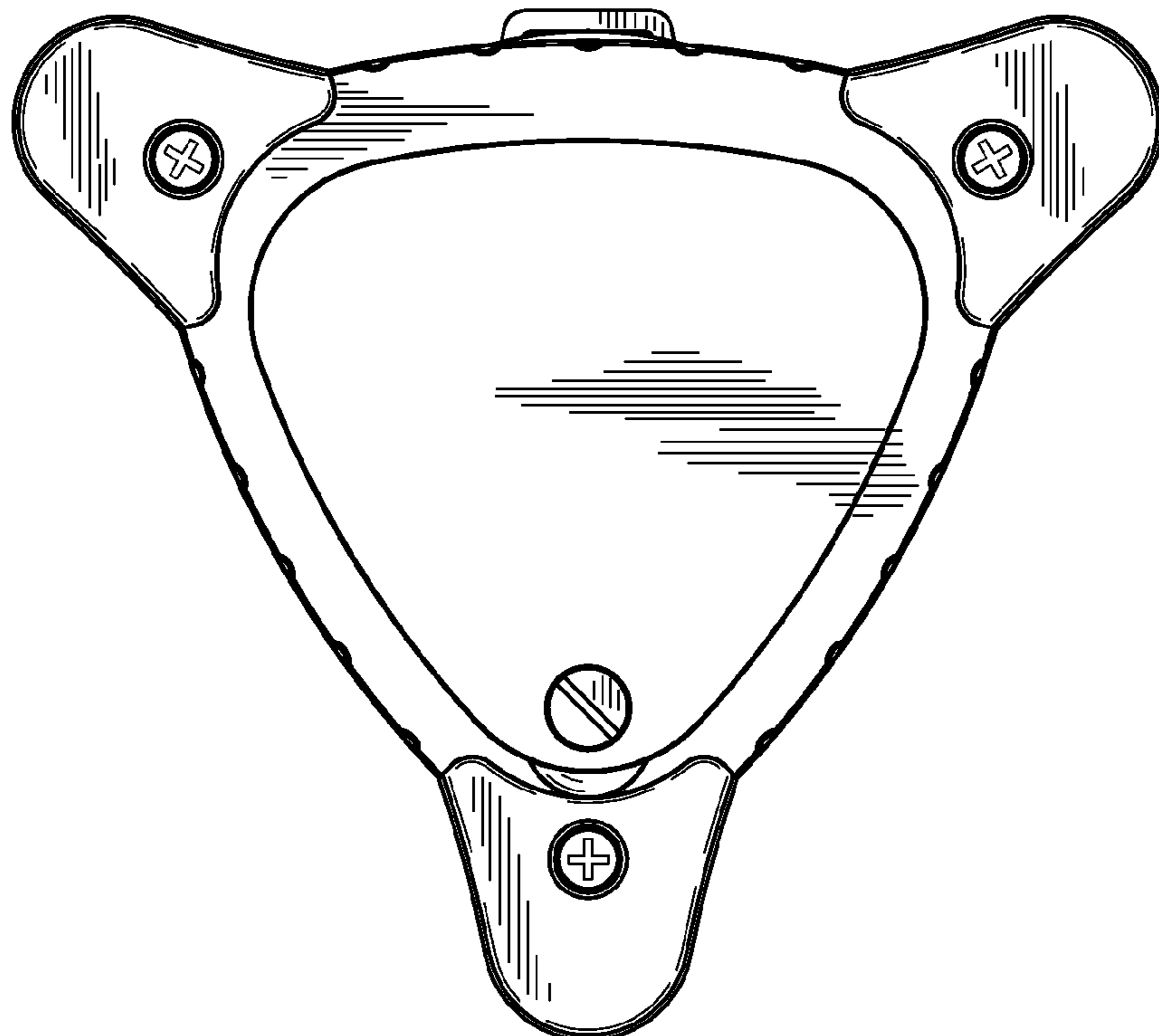


Fig. 7