



US00D581075S

(12) **United States Design Patent**
Chue

(10) **Patent No.:** **US D581,075 S**

(45) **Date of Patent:** **** Nov. 18, 2008**

(54) **SYRINGE LIGHT WITH MAGNIFIER**

D538,341 S * 3/2007 Oas D19/44
D548,864 S * 8/2007 Lee D26/38
D548,867 S * 8/2007 Chue D26/47

(75) Inventor: **Lap Fu Chue**, New Territories (HK)

(73) Assignee: **Kenki (H.K.) Ltd.**, Kowloon (HK)

(**) Term: **14 Years**

(21) Appl. No.: **29/260,993**

(22) Filed: **Jun. 6, 2006**

(51) **LOC (8) Cl.** **26-02**

(52) **U.S. Cl.** **D26/38**

(58) **Field of Classification Search** D26/37,
D26/38, 40, 42, 46, 47, 50, 51; D16/130,
D16/132, 133, 135, 136; D24/112; D19/44,
D19/36; 362/157, 158, 171-174, 183, 184,
362/190, 191, 194, 195, 208; D28/64.6
See application file for complete search history.

(56) **References Cited**

U.S. PATENT DOCUMENTS

D202,487 S * 10/1965 Bowland D28/64.6
D269,275 S * 6/1983 Tweedie D16/135
D423,030 S * 4/2000 Yuen D16/135
D447,797 S * 9/2001 Odell et al. D24/112
D509,840 S * 9/2005 Lewis D16/135
D531,216 S * 10/2006 Oas D19/36

* cited by examiner

Primary Examiner—Ian Simmons

Assistant Examiner—Carissa C Fitts

(74) *Attorney, Agent, or Firm*—Rabin & Berdo, P.C.

(57) **CLAIM**

The ornamental design for a syringe light with magnifier, as shown and described.

DESCRIPTION

FIG. 1 is a front view of a syringe light with magnifier showing my new design;

FIG. 2 is a rear view thereof;

FIG. 3 is a left side view thereof;

FIG. 4 is a right side view thereof;

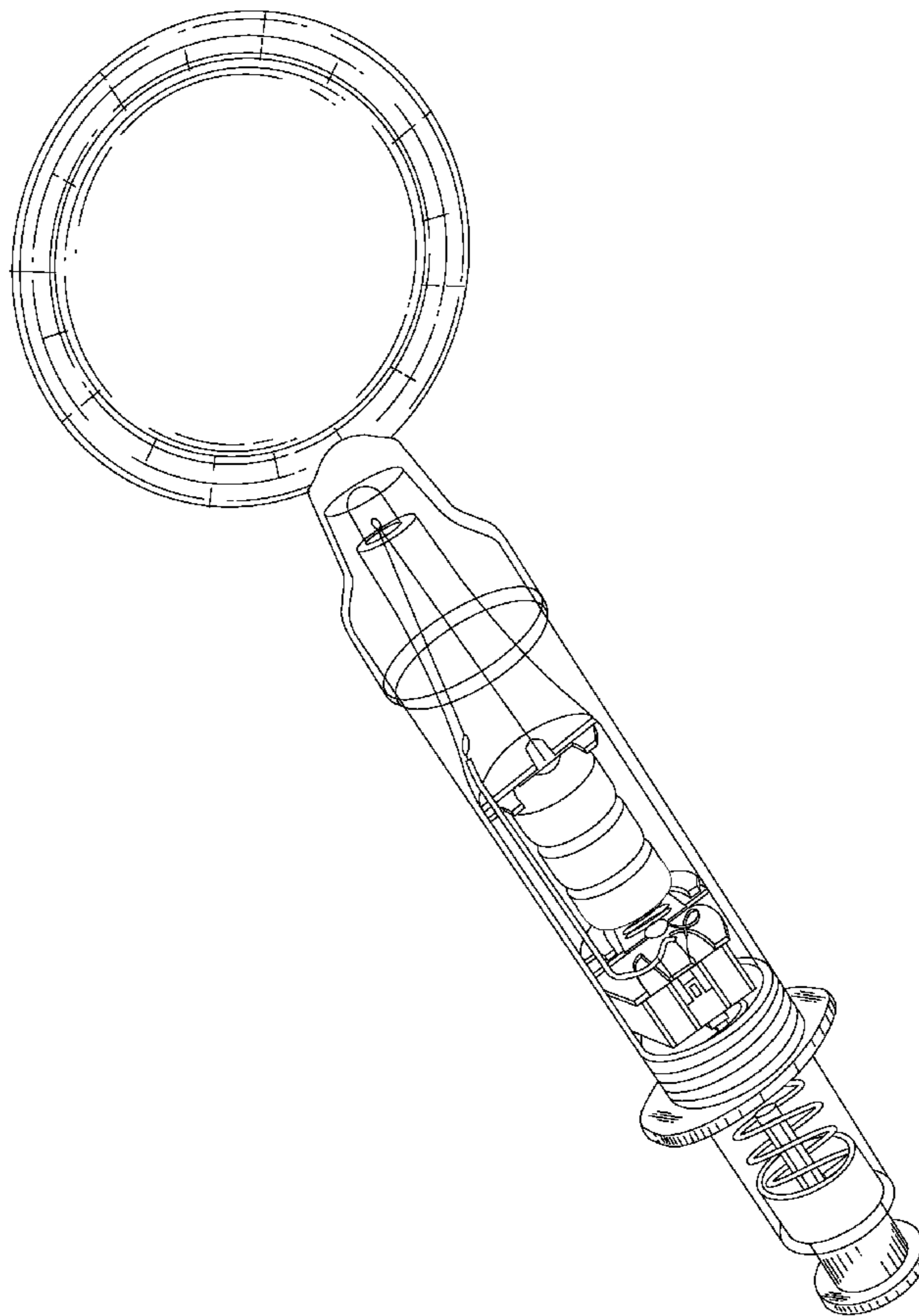
FIG. 5 is a top view thereof;

FIG. 6 is a bottom view thereof;

FIG. 7 is a perspective view thereof; and,

FIG. 8 is a reference perspective view thereof.

1 Claim, 5 Drawing Sheets



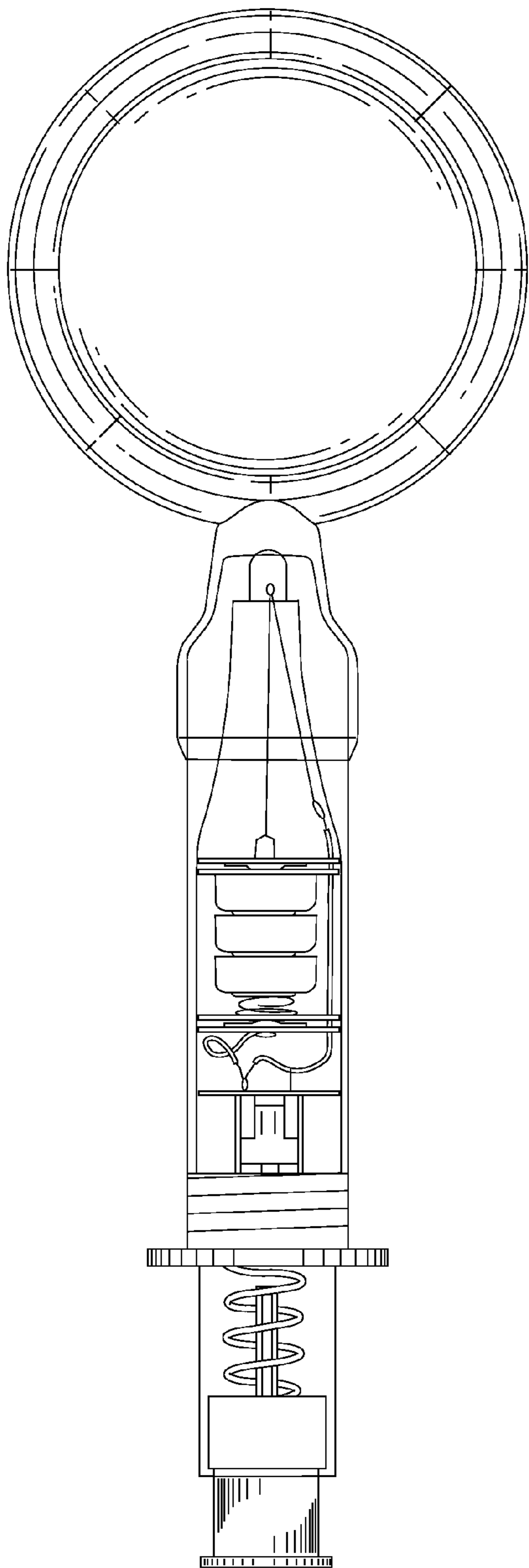


Fig. 1

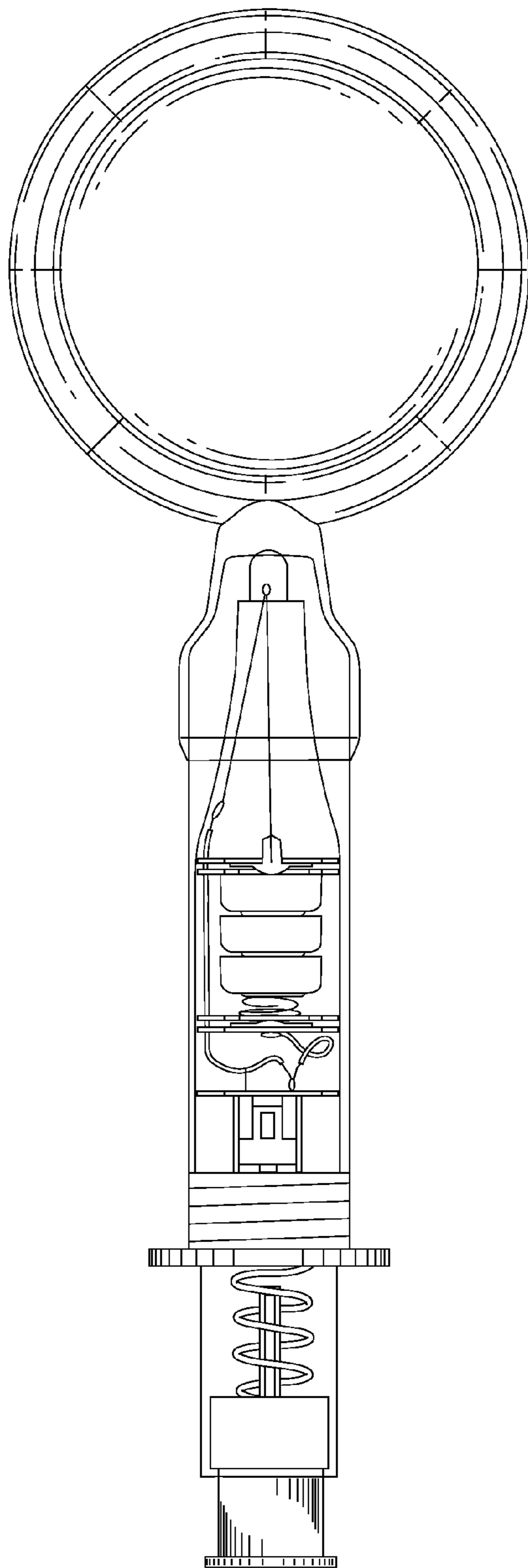


Fig. 2

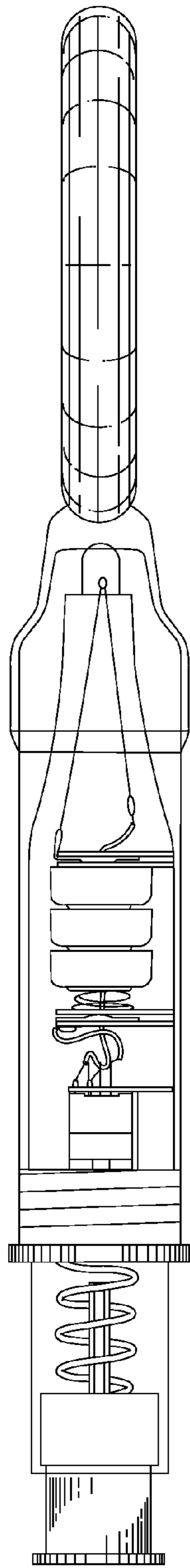


Fig. 3

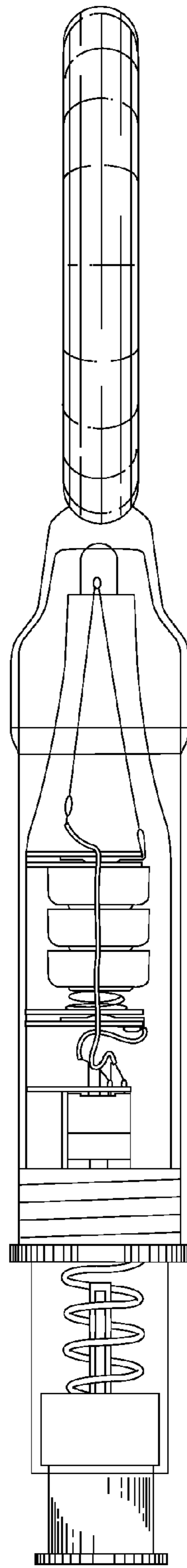


Fig. 4

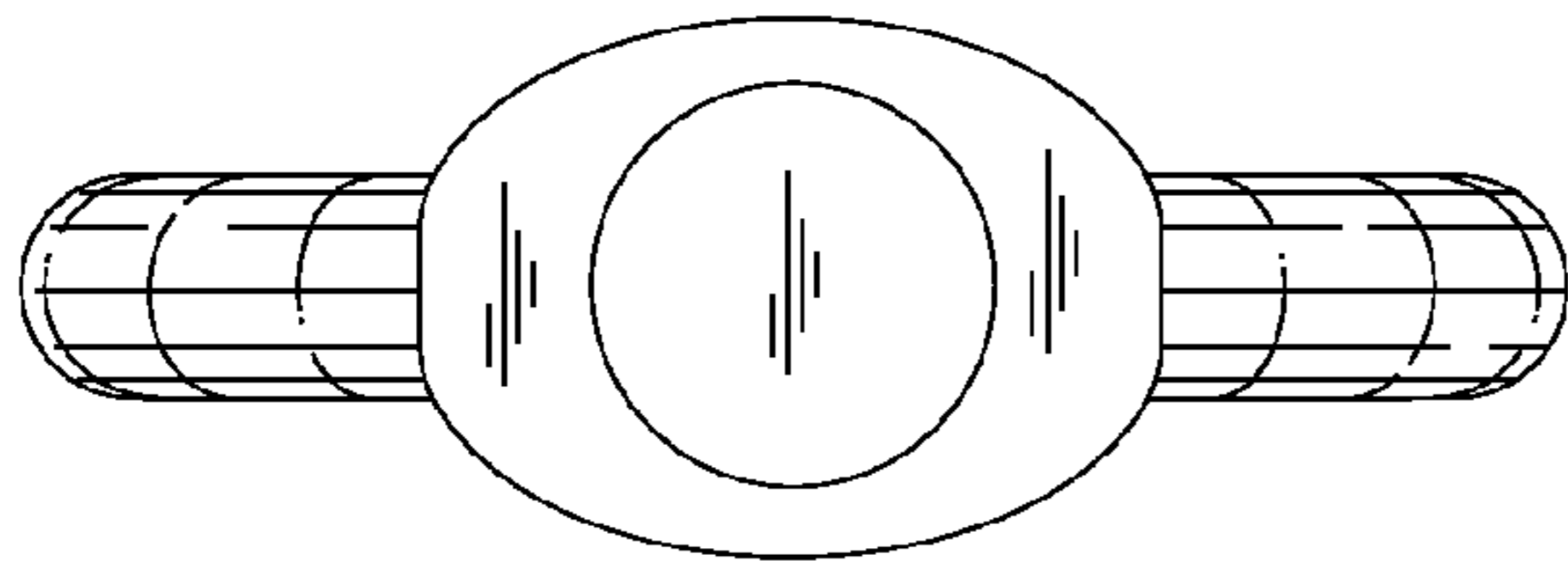


Fig. 5

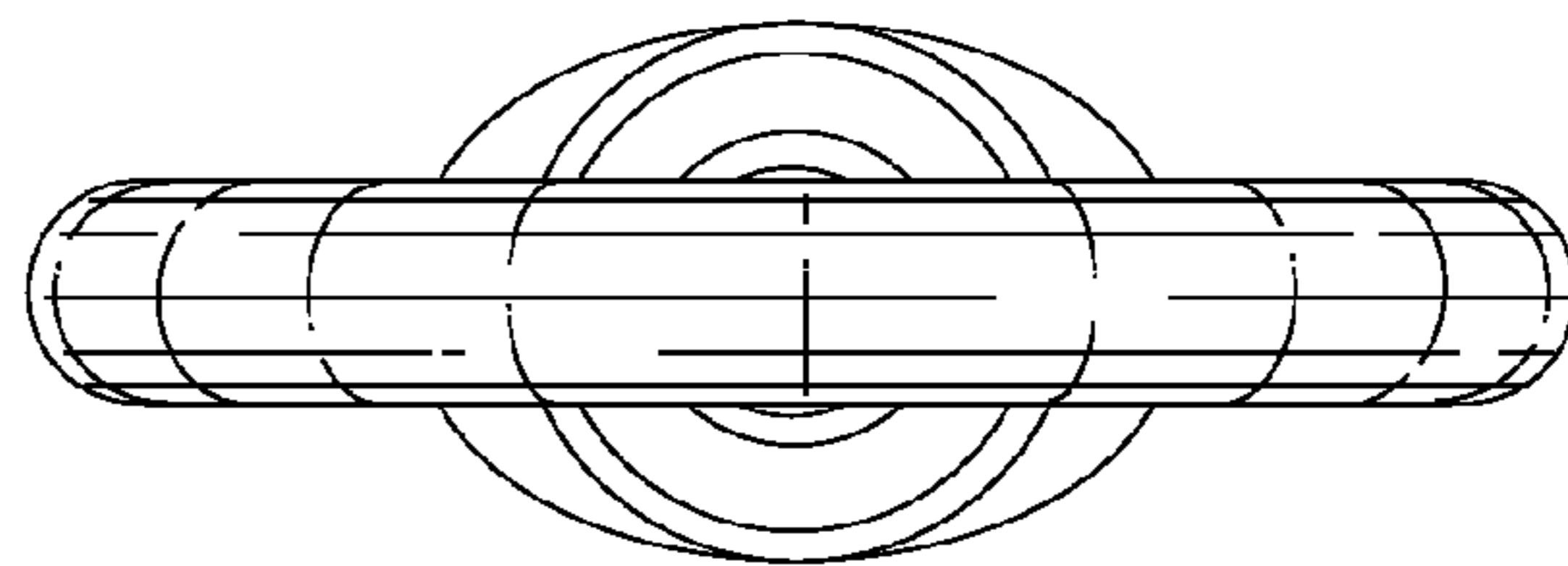


Fig. 6

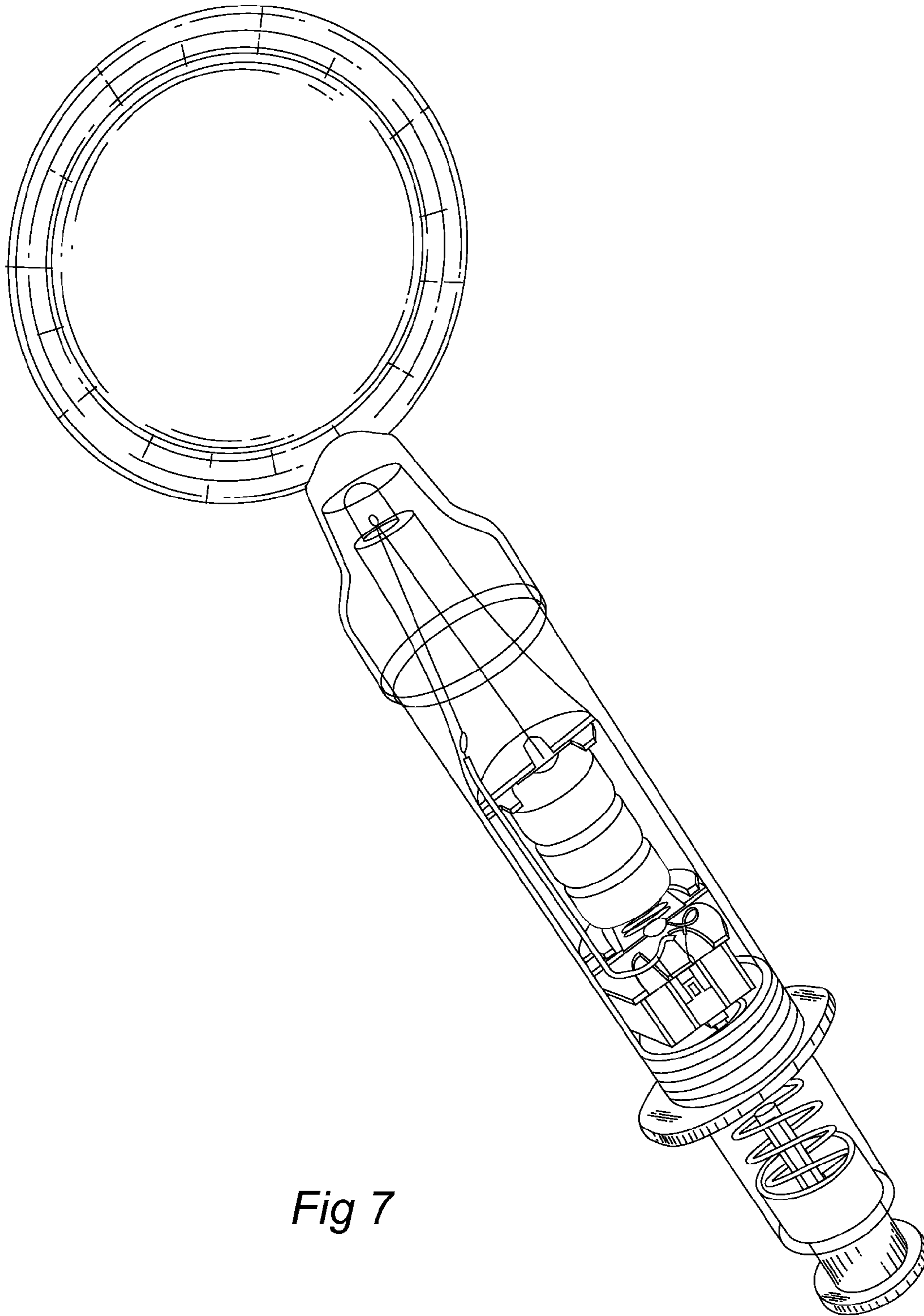


Fig 7

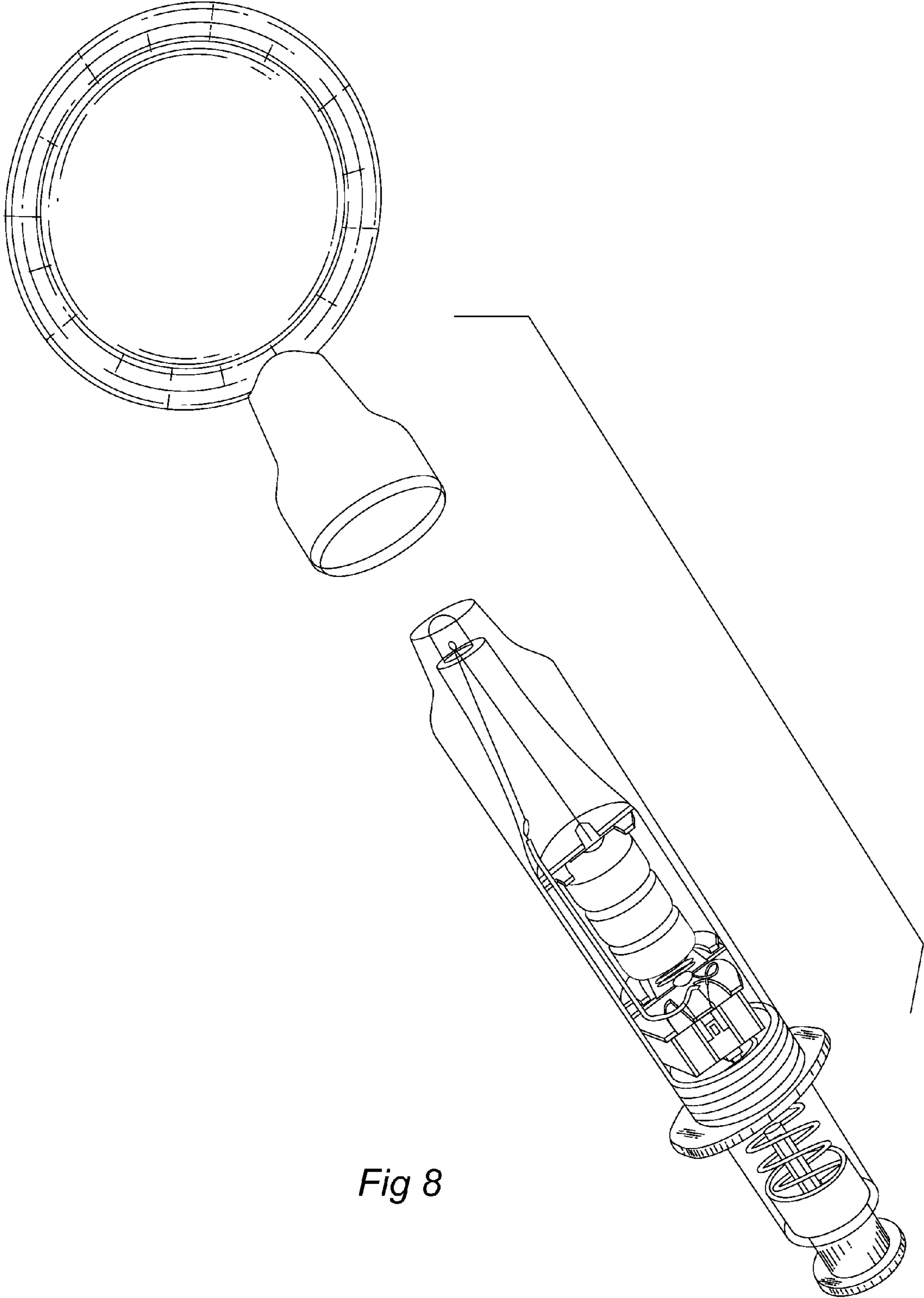


Fig 8