



US00D581074S

(12) **United States Design Patent**  
**Starr**

(10) **Patent No.:** **US D581,074 S**  
(45) **Date of Patent:** **\*\* Nov. 18, 2008**

(54) **LIGHT BAR FOR USE INSIDE A VEHICLE**

(75) Inventor: **Oriana J. Starr**, Rochester, NY (US)

(73) Assignee: **Star Headlight & Lantern Co., Inc.**,  
Avon, NY (US)

(\*\*) Term: **14 Years**

(21) Appl. No.: **29/301,209**

(22) Filed: **Feb. 15, 2008**

(51) **LOC (8) Cl.** ..... **26-06**

(52) **U.S. Cl.** ..... **D26/31**

(58) **Field of Classification Search** ..... D26/28-36;  
362/61, 80, 81, 82, 83, 267, 269, 275, 330-340  
See application file for complete search history.

(56) **References Cited**

**U.S. PATENT DOCUMENTS**

4,788,630	A	11/1988	Gavagan
4,981,363	A	1/1991	Lipman
5,660,457	A	8/1997	Lyons
5,826,965	A	10/1998	Lyons
5,988,839	A	11/1999	Pokorney et al.
D443,939	S	6/2001	Thomas
D447,825	S	9/2001	Lee
D451,218	S	11/2001	Bernier
D461,574	S	8/2002	Helmke, III

6,511,216	B2	1/2003	Strickland
D472,986	S	4/2003	Kim
D483,505	S	12/2003	Schwerdtmann
D489,144	S	4/2004	Dalton, Jr.
D499,976	S	12/2004	Neufeglise et al.
7,036,965	B2	5/2006	Dalton, Jr. et al.
D530,029	S	* 10/2006	Neufeglise et al. .... D26/28

\* cited by examiner

*Primary Examiner*—Marcus A. Jackson

(74) *Attorney, Agent, or Firm*—Kenneth J. Lukacher; Martin Lukacher

(57) **CLAIM**

The ornamental design for a light bar for use inside a vehicle, as shown and described.

**DESCRIPTION**

This invention is related to U.S. Pat. No. D489,144, issued Apr. 27, 2004, to William H. Dalton and assigned to the same Assignee as this application.

FIG. 1 is a bottom plan view of a light bar for use inside a vehicle, embodying my invention;

FIG. 2 is a front elevational view thereof;

FIG. 3 is a top plan view thereof; and,

FIG. 4 is a perspective view taken from the front thereof.

**1 Claim, 4 Drawing Sheets**

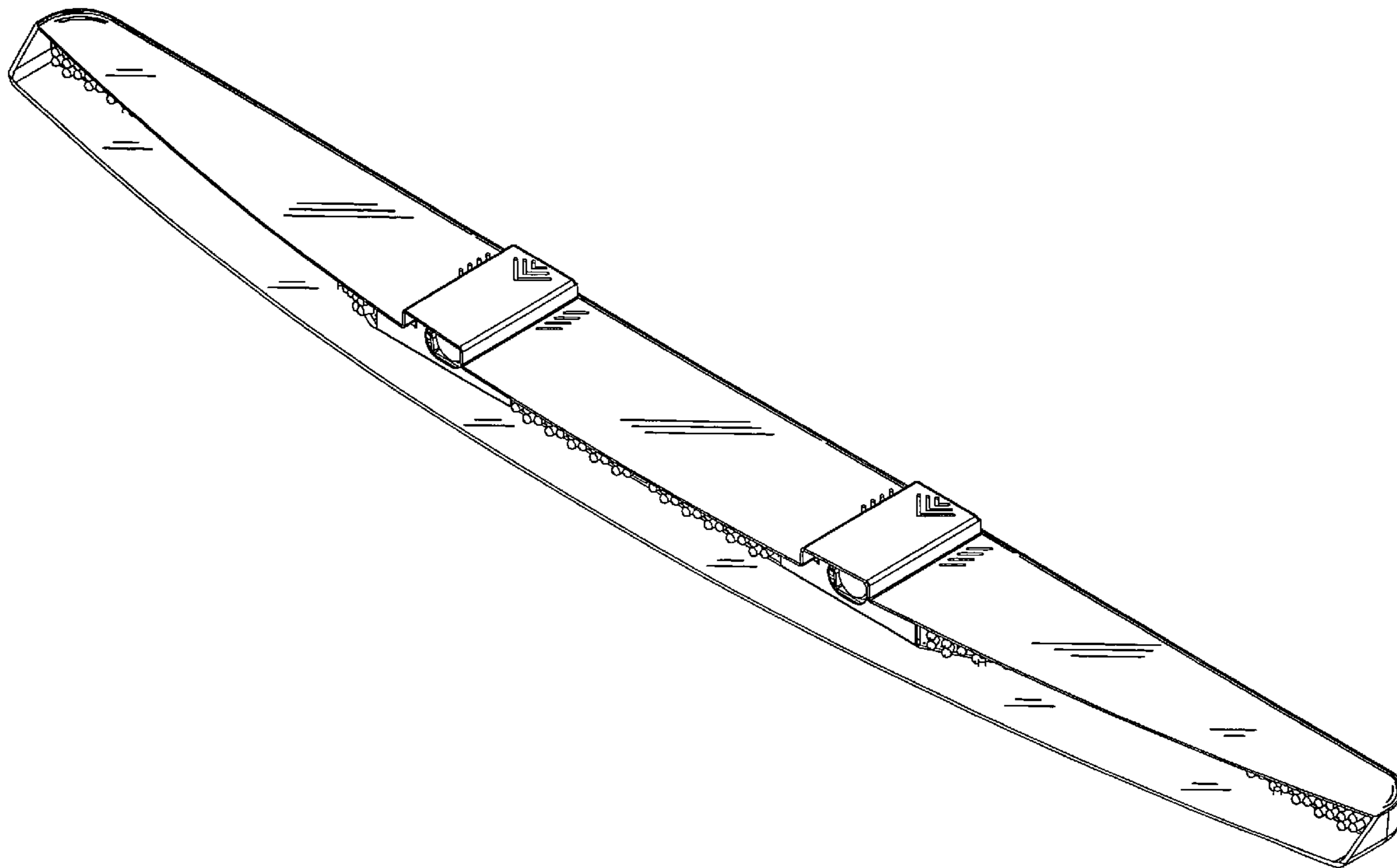
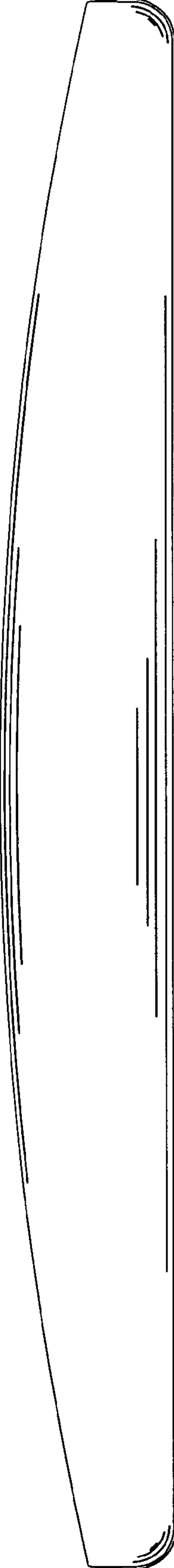


Fig. 1



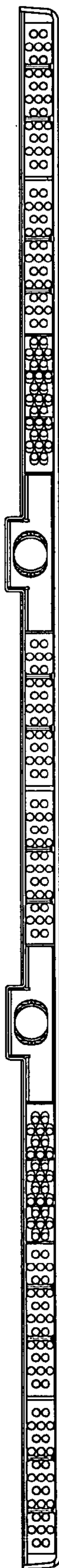


Fig. 2

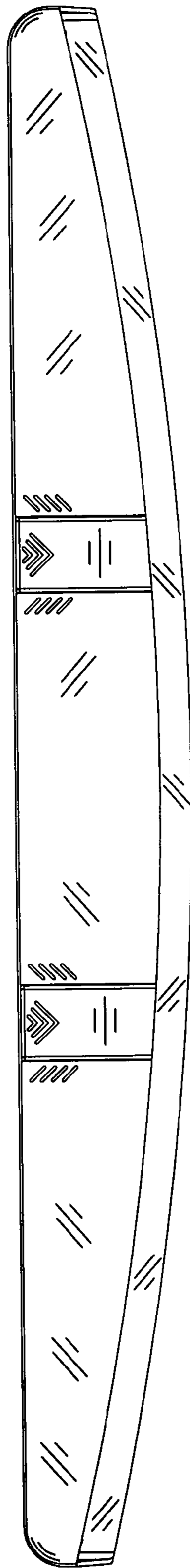


Fig. 3

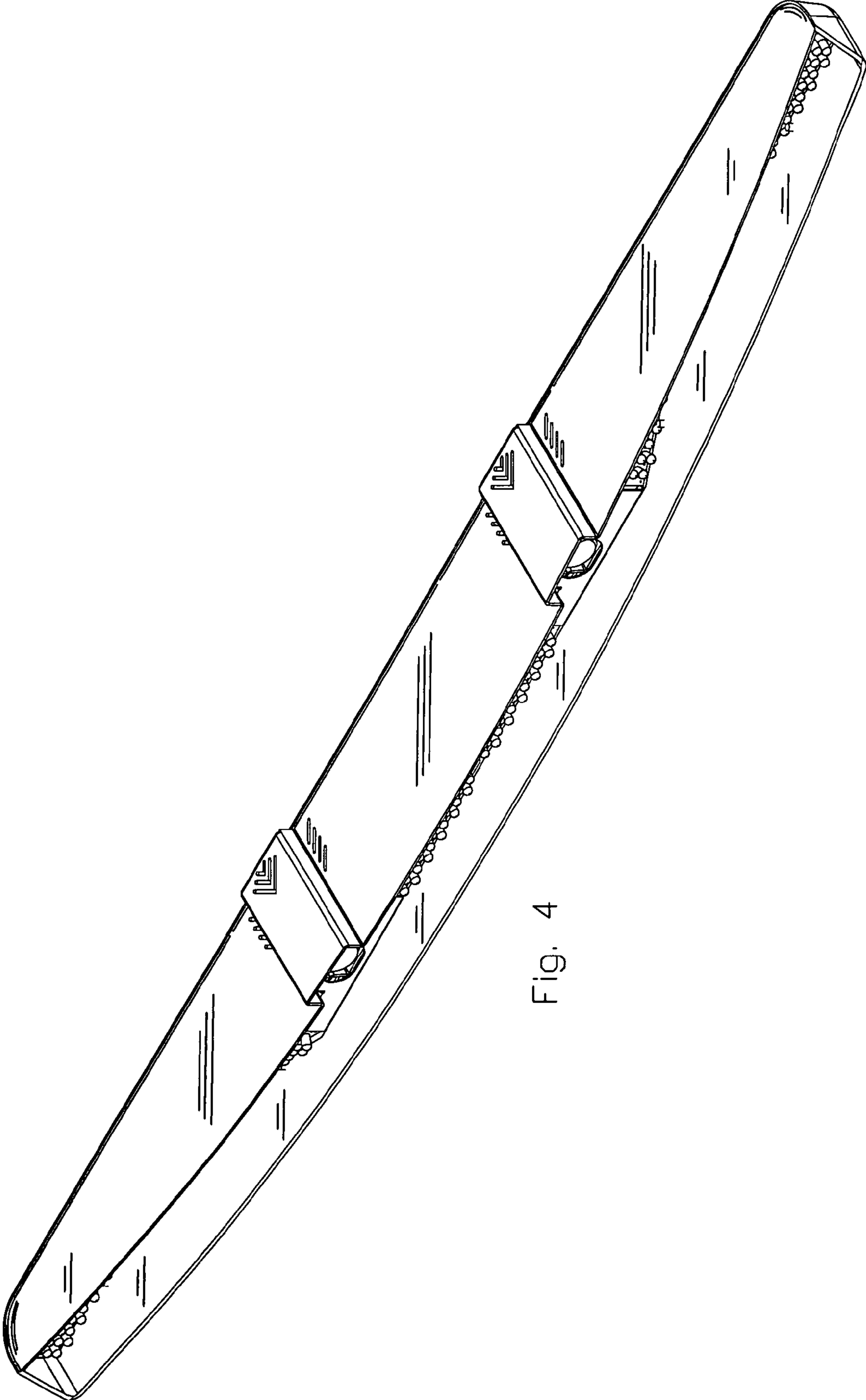


Fig. 4