



US00D581070S

(12) **United States Design Patent**
Vanderhoek

(10) **Patent No.:** **US D581,070 S**

(45) **Date of Patent:** **** Nov. 18, 2008**

(54) **MOUNTABLE LIGHT FOR A VEHICLE**

D564,683 S * 3/2008 Roach et al. D26/28

(76) Inventor: **Marty Vanderhoek**, 18906 69A Avenue,
Surrey, Biritsh Columbia (CA) V4N 5K2

* cited by examiner

Primary Examiner—Marcus A. Jackson

(74) *Attorney, Agent, or Firm*—Smiths IP; Lawrence Chan

(**) Term: **14 Years**

(21) Appl. No.: **29/305,007**

(57) **CLAIM**

(22) Filed: **Mar. 11, 2008**

The ornamental design for a mountable light for a vehicle, as shown and described.

(51) **LOC (8) Cl.** **26-06**

(52) **U.S. Cl.** **D26/28**

(58) **Field of Classification Search** D26/28-36;
362/459-468, 475-478, 485-487

See application file for complete search history.

DESCRIPTION

FIG. 1 is a perspective view thereof;

FIG. 2 is a front elevational view thereof;

FIG. 3 is a rear elevational view thereof;

FIG. 4 is a top plan view thereof;

FIG. 5 is a bottom plan view thereof; and,

FIG. 6 is a left side elevational view thereof.

The broken line showing of wire is included for the purpose of illustrating the wire and forms no part of the claimed design.

(56) **References Cited**

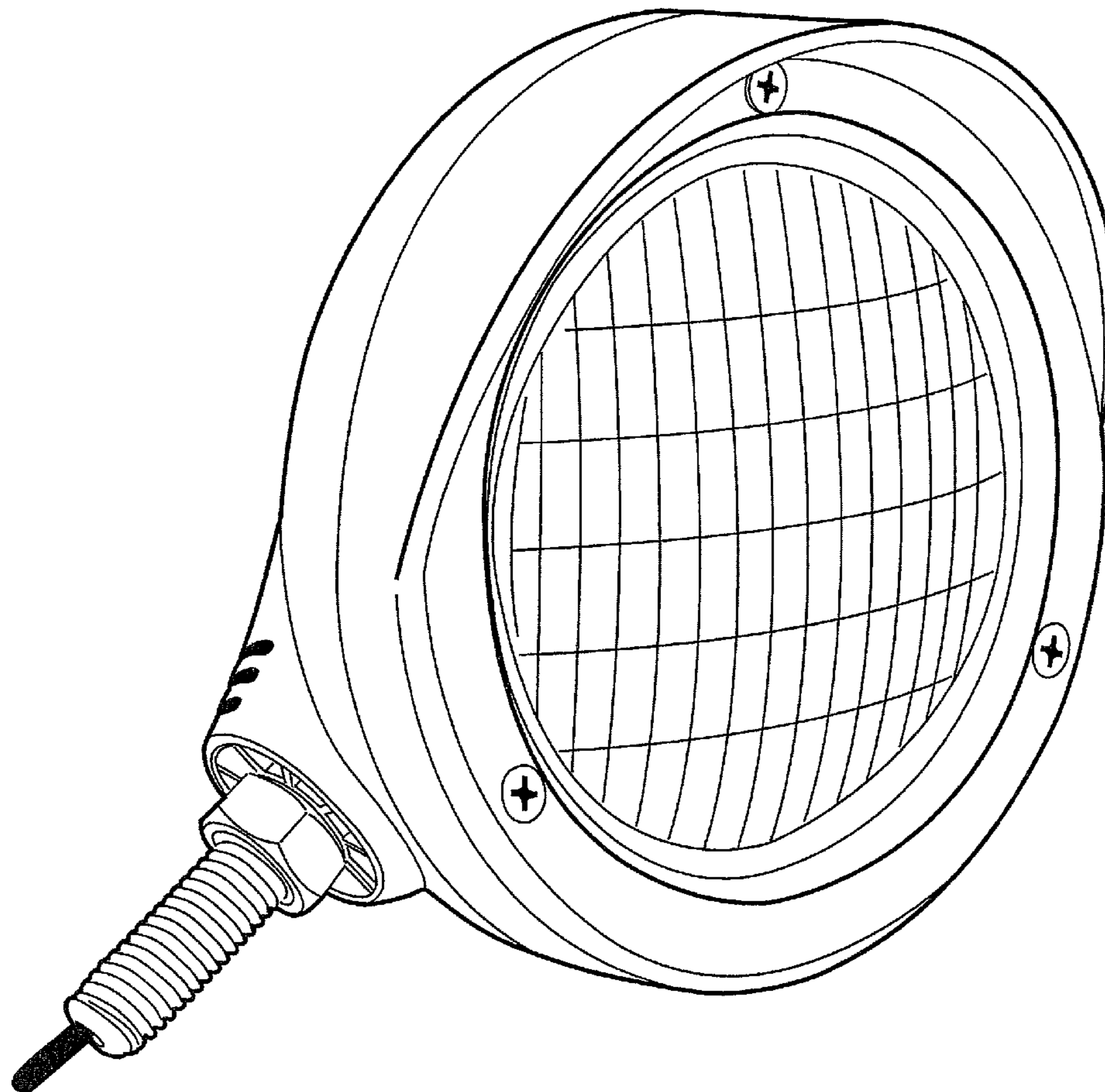
U.S. PATENT DOCUMENTS

D523,571 S * 6/2006 Sugimoto D26/28

D523,573 S * 6/2006 Lee D26/28

D554,279 S * 10/2007 Jeffries D26/28

1 Claim, 6 Drawing Sheets



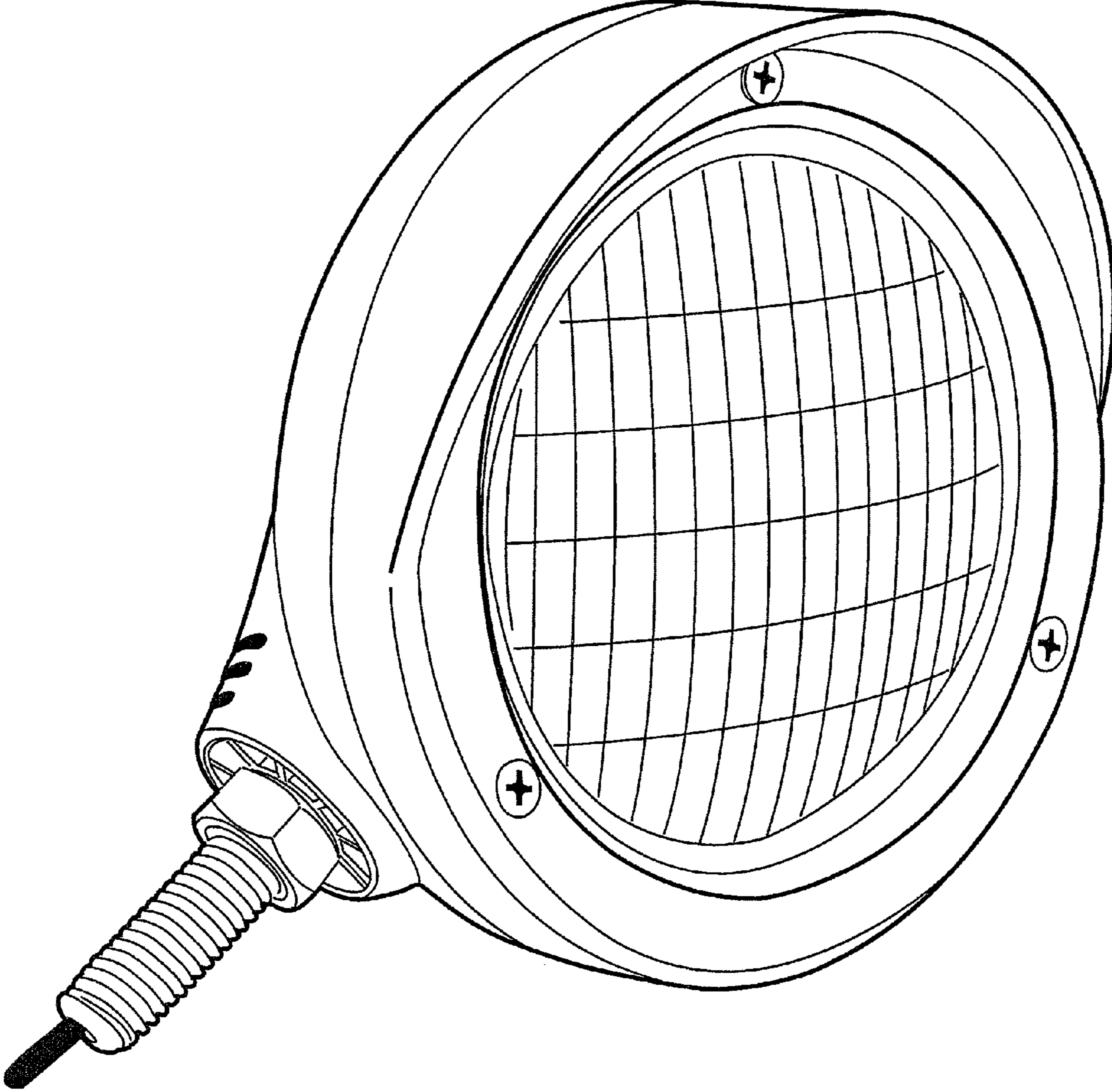


Figure 1

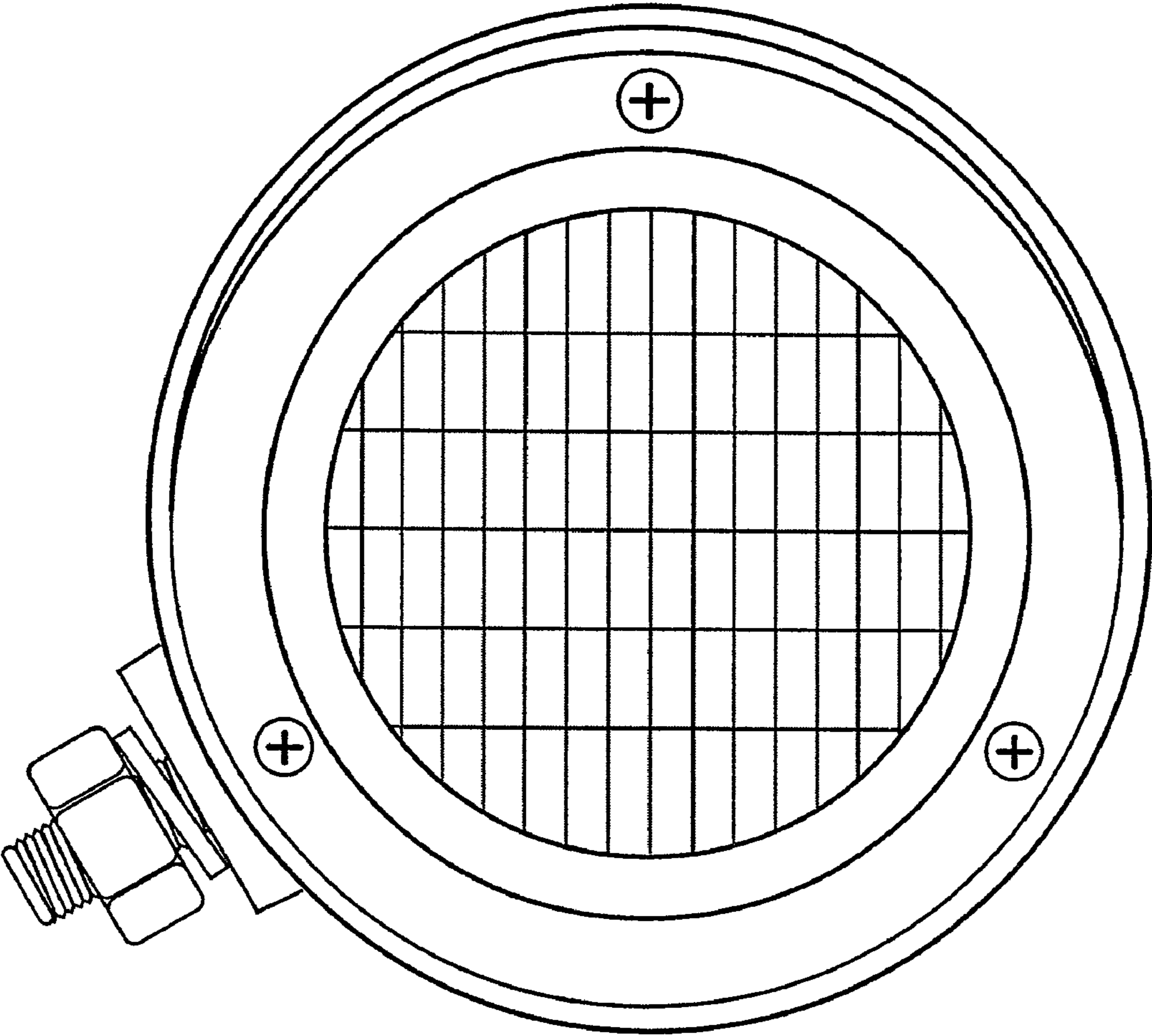


Figure 2

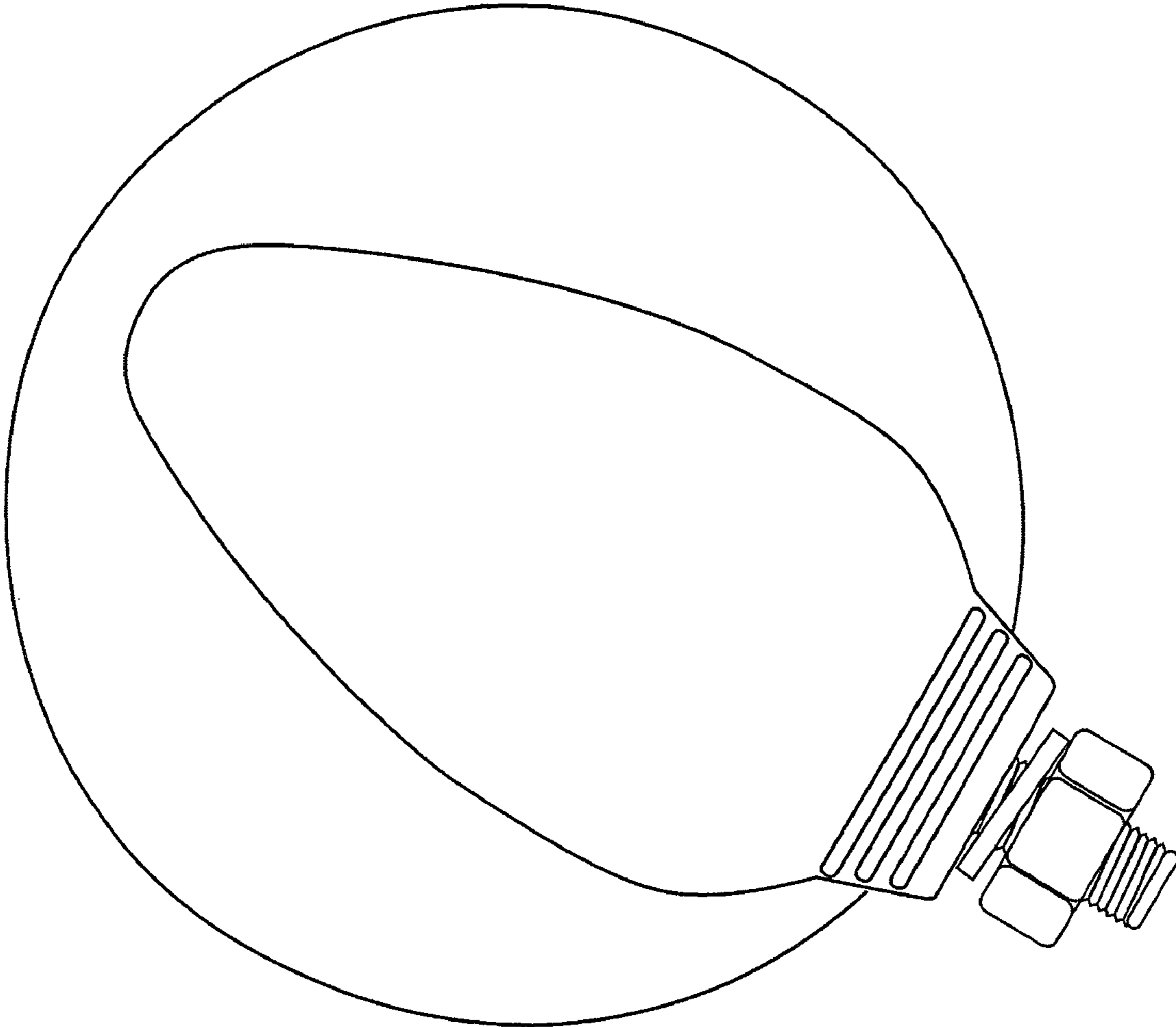


Figure 3

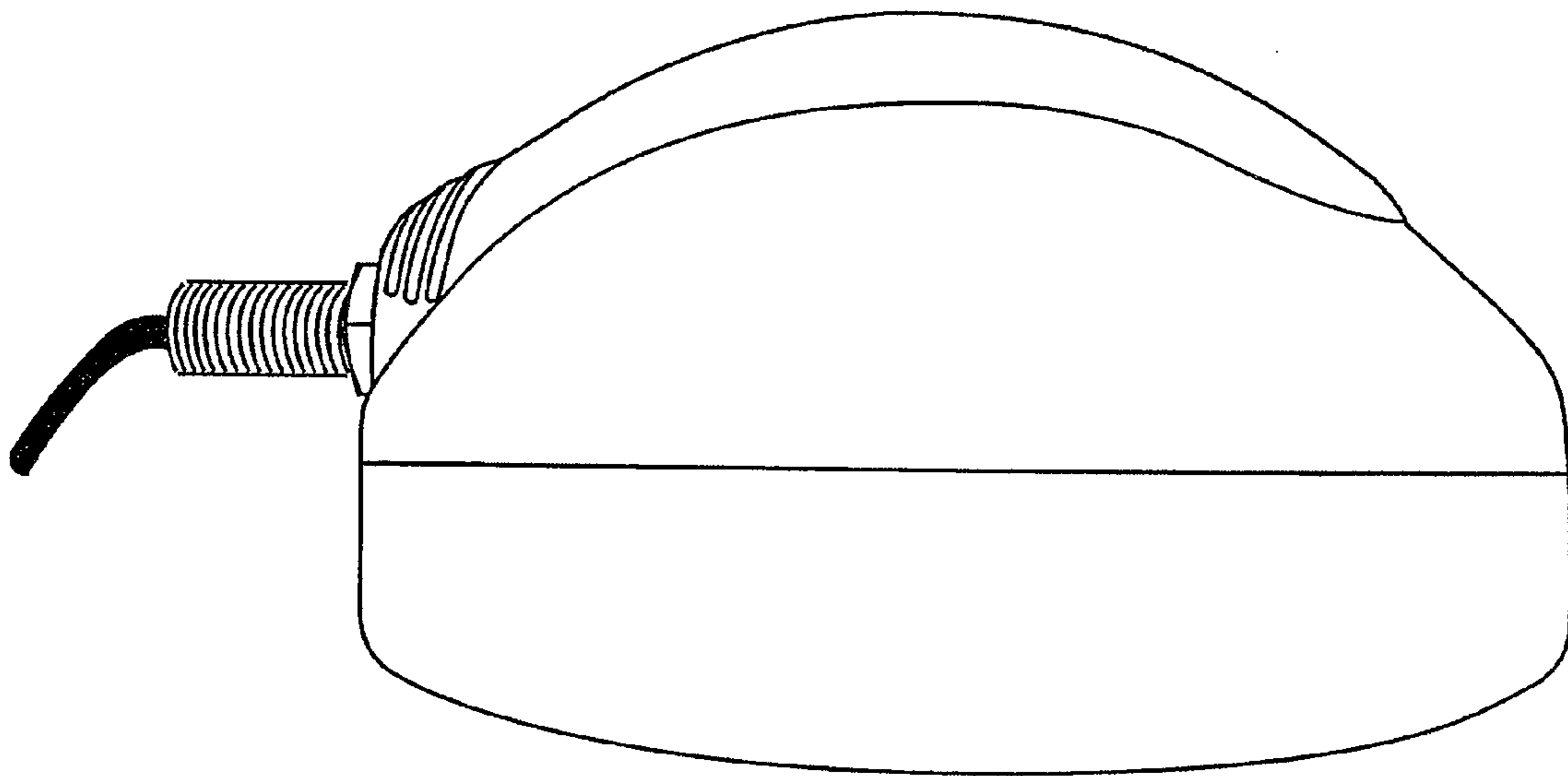


Figure 4

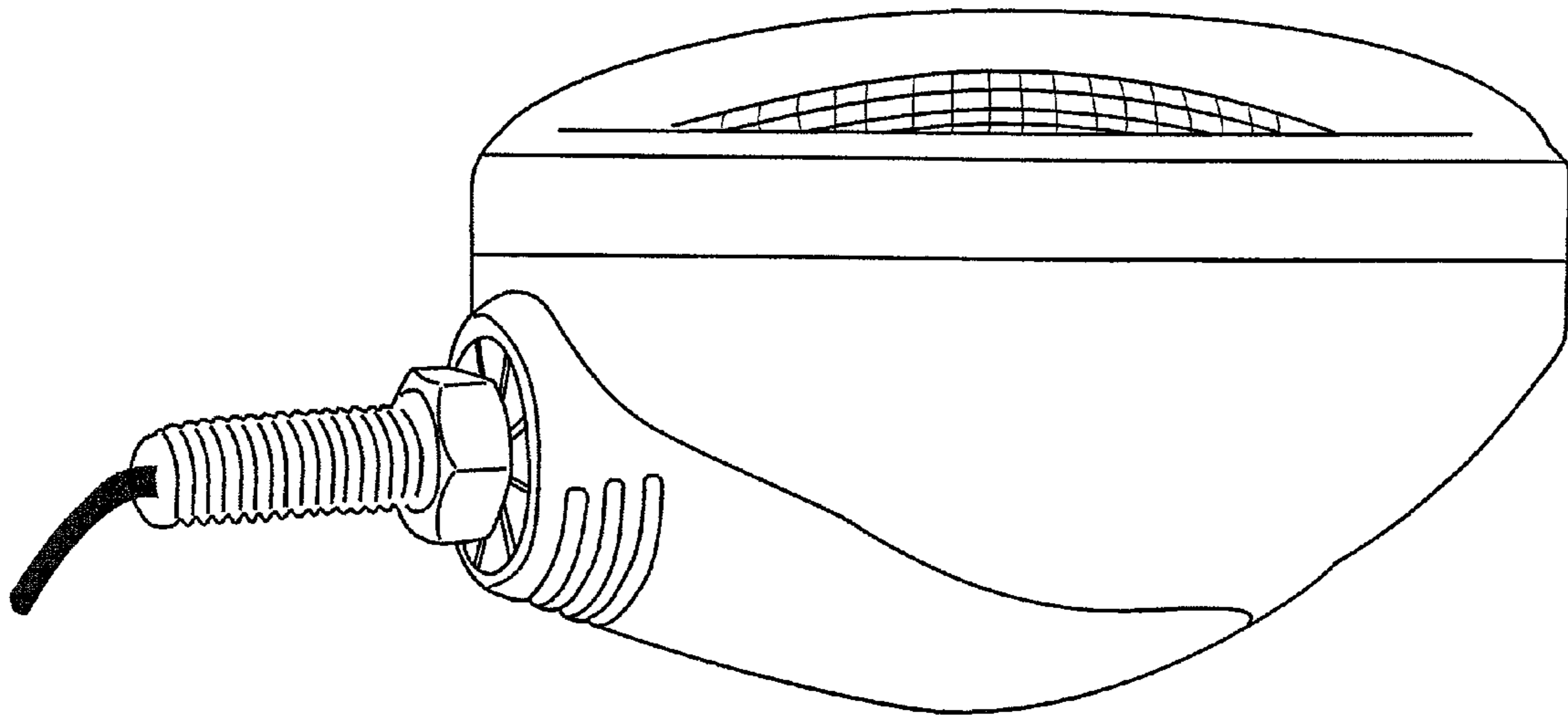


Figure 5

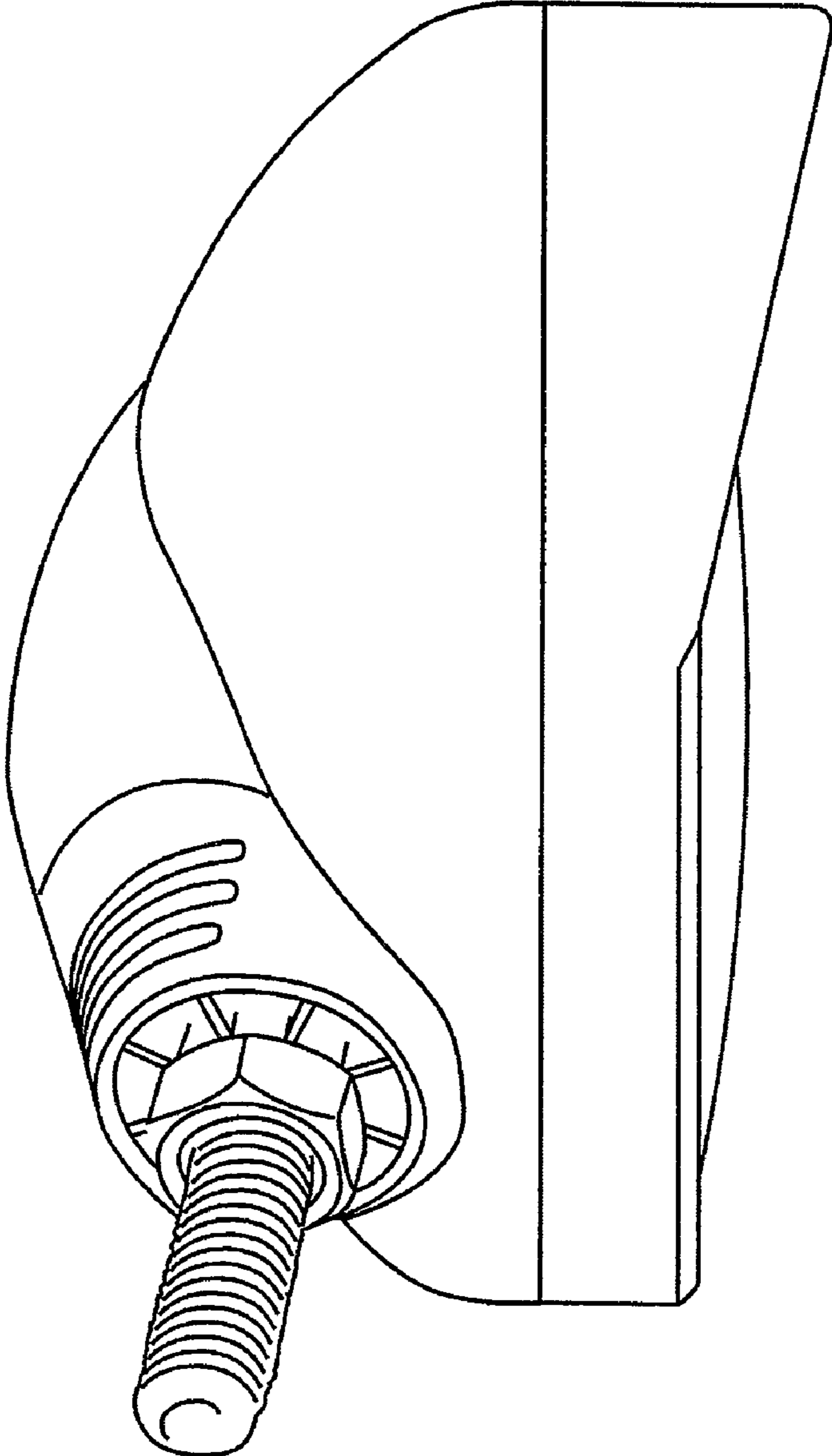


Figure 6