



US00D581069S

(12) **United States Design Patent**
Vanderhoek

(10) **Patent No.:** **US D581,069 S**

(45) **Date of Patent:** **** Nov. 18, 2008**

(54) **MOUNTABLE LIGHT FOR A VEHICLE**

(76) Inventor: **Marty Vanderhoek**, 18906 69A Avenue,
Surrey, British Columbia (CA) V4N 5K2

(**) Term: **14 Years**

(21) Appl. No.: **29/305,006**

(22) Filed: **Mar. 11, 2008**

(51) **LOC (8) Cl.** **26-06**

(52) **U.S. Cl.** **D26/28**

(58) **Field of Classification Search** D26/28-36;
362/459-468, 475-478, 485-487

See application file for complete search history.

(56) **References Cited**

U.S. PATENT DOCUMENTS

D523,571 S *	6/2006	Sugimoto	D26/28
D523,573 S *	6/2006	Lee	D26/28
D529,205 S *	9/2006	Nagano	D26/28
D554,279 S *	10/2007	Jeffries	D26/28
D564,683 S *	3/2008	Roach et al.	D26/28

* cited by examiner

Primary Examiner—Marcus A. Jackson

(74) *Attorney, Agent, or Firm*—Smiths IP; Lawrence Chan

(57) **CLAIM**

The ornamental design for a mountable light for a vehicle, as shown and described.

DESCRIPTION

FIG. 1 is a perspective view thereof;

FIG. 2 is a front elevational view thereof;

FIG. 3 is a rear elevational view thereof;

FIG. 4 is a left side elevational view thereof;

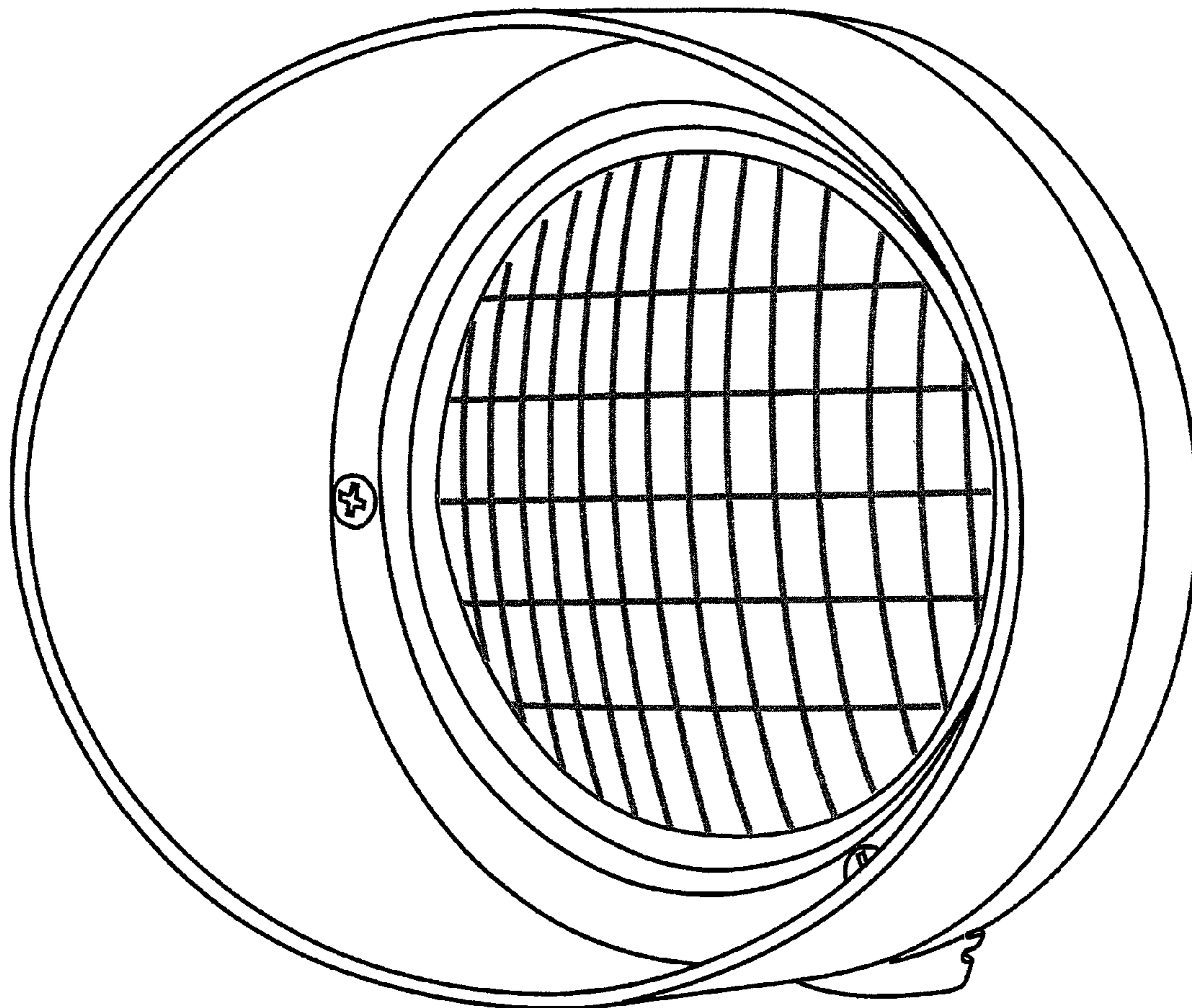
FIG. 5 is a right side elevational view thereof;

FIG. 6 is a top plan view thereof; and,

FIG. 7 is a bottom plan view thereof.

The broken line showing of wire is included for the purpose of illustrating the wire and forms no part of the claimed design.

1 Claim, 7 Drawing Sheets



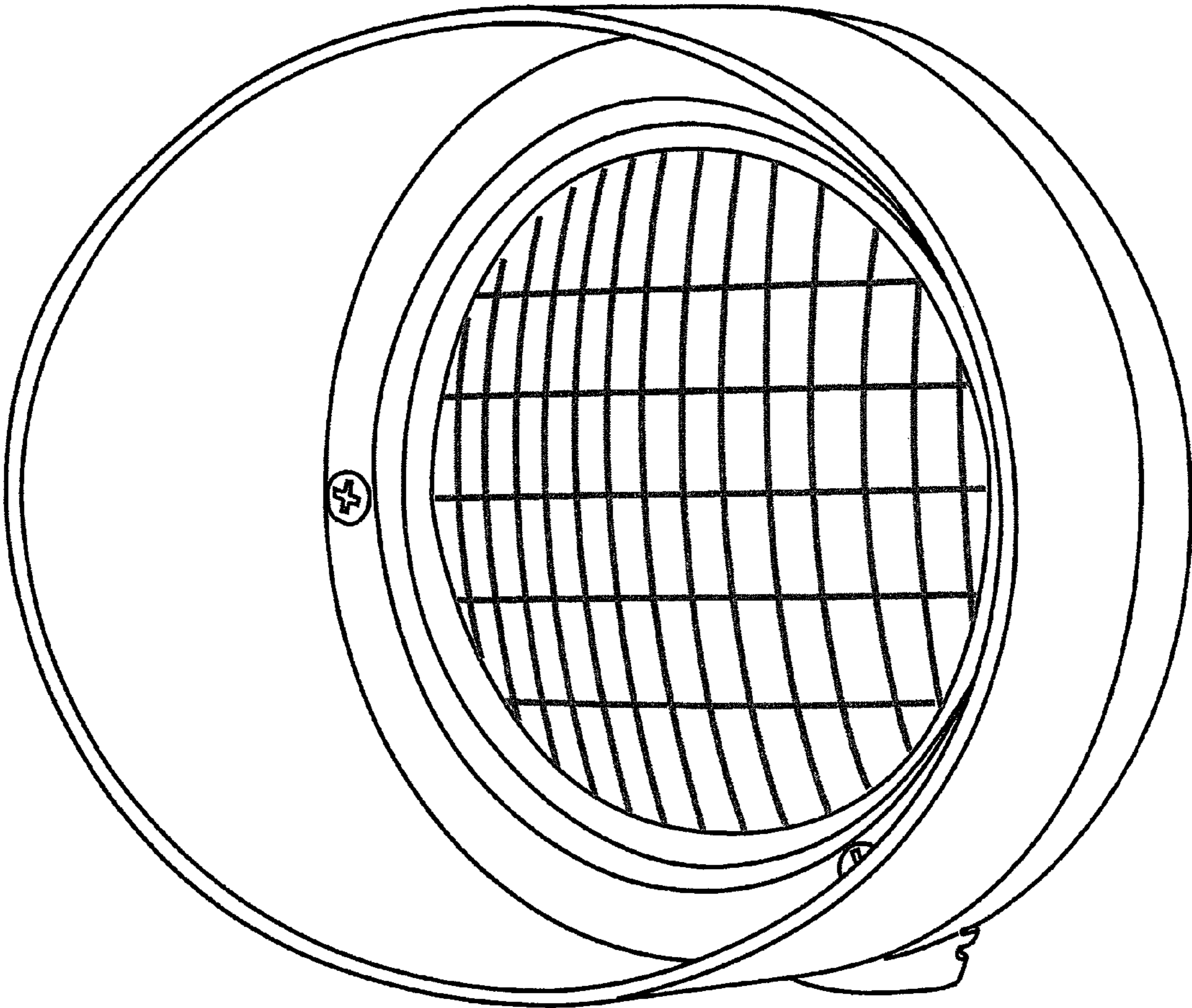


Figure 1

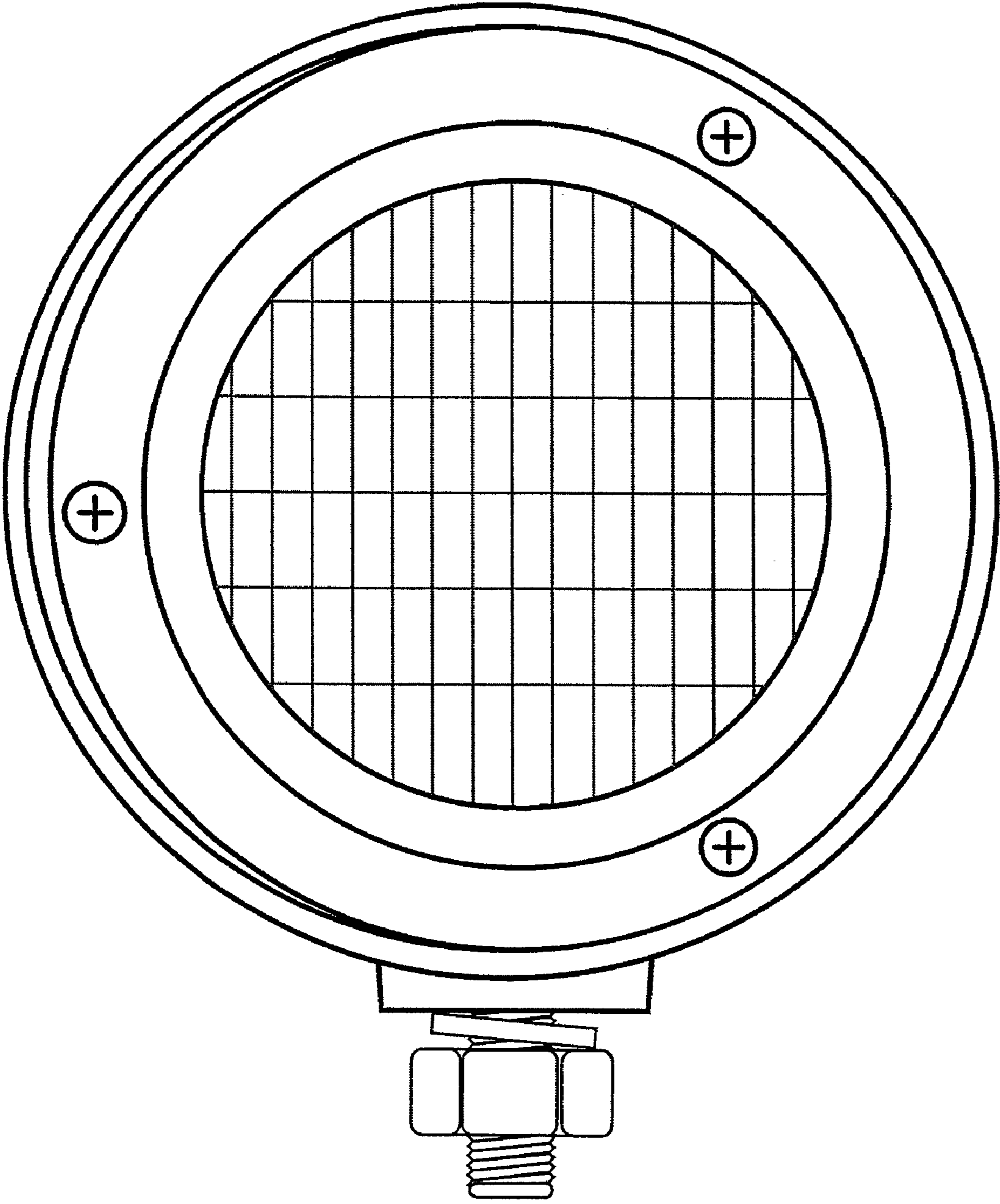


Figure 2

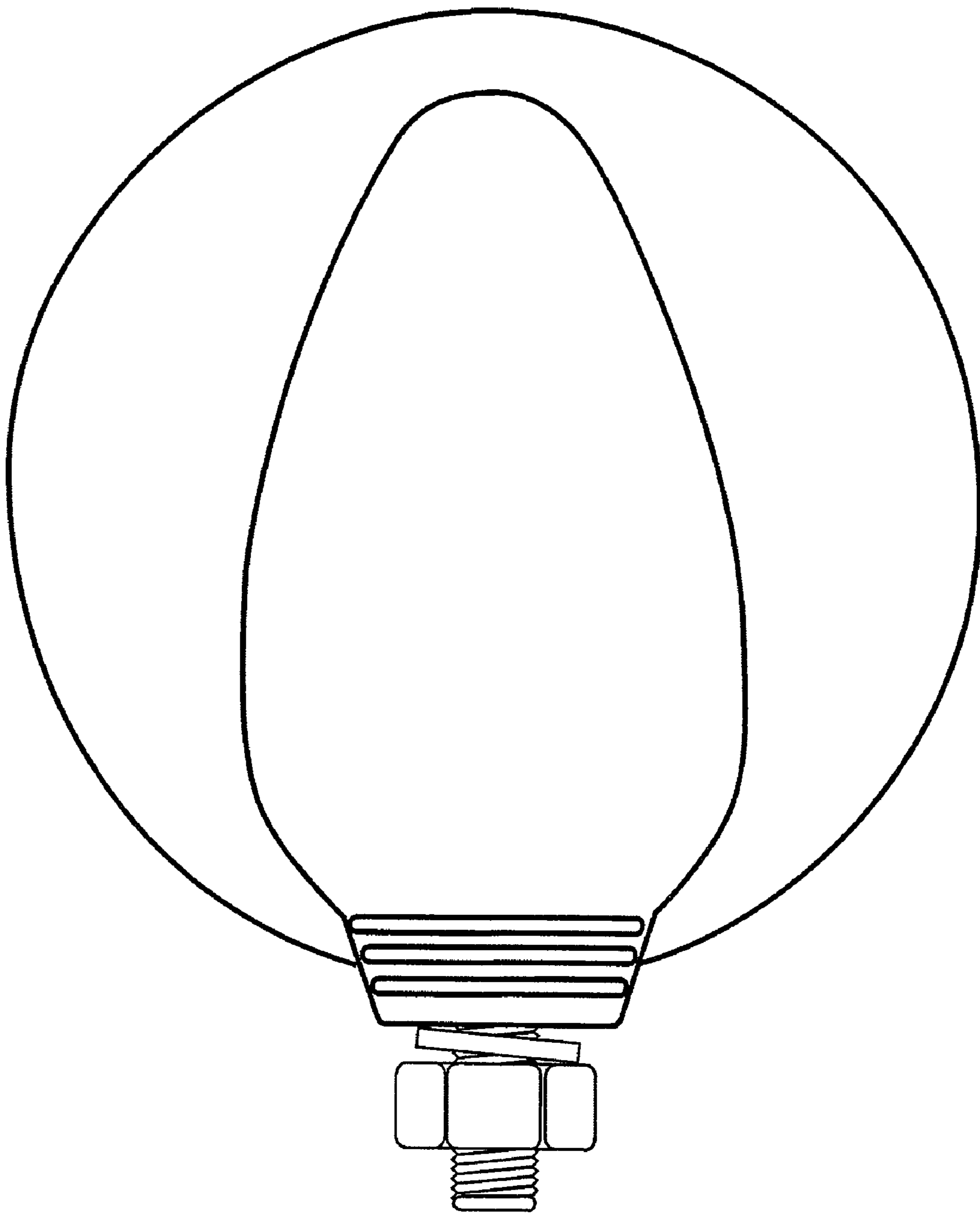


Figure 3

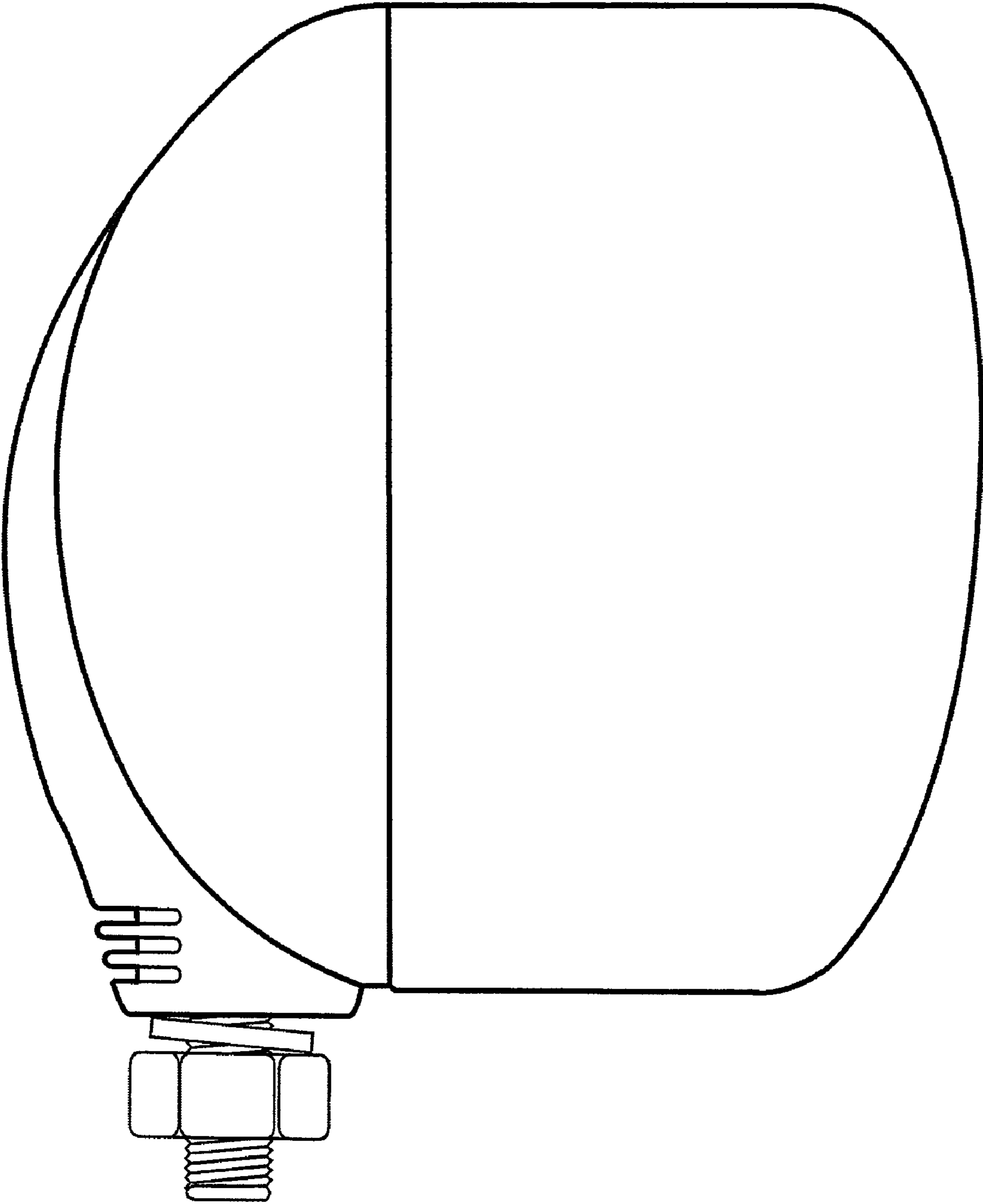


Figure 4

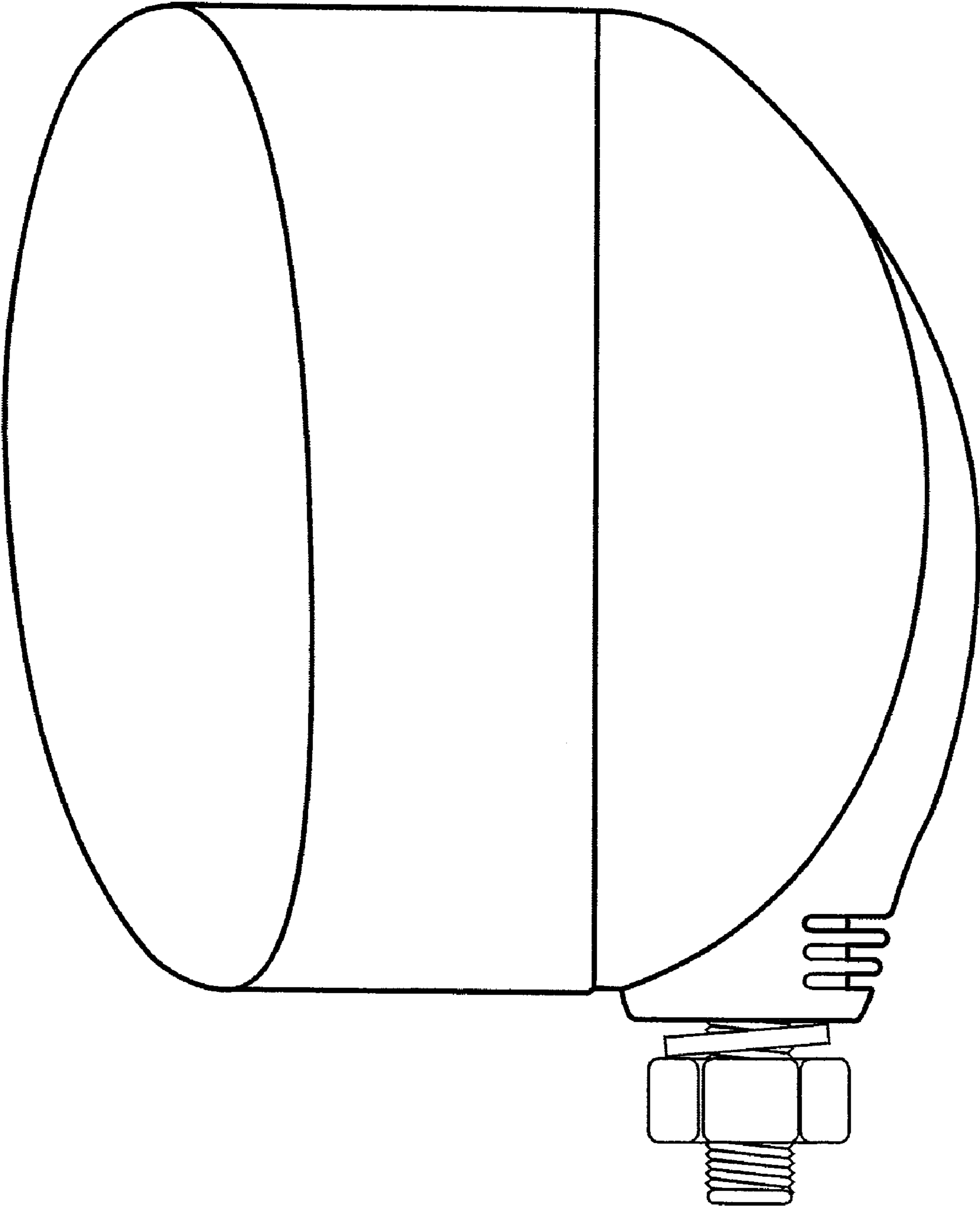


Figure 5

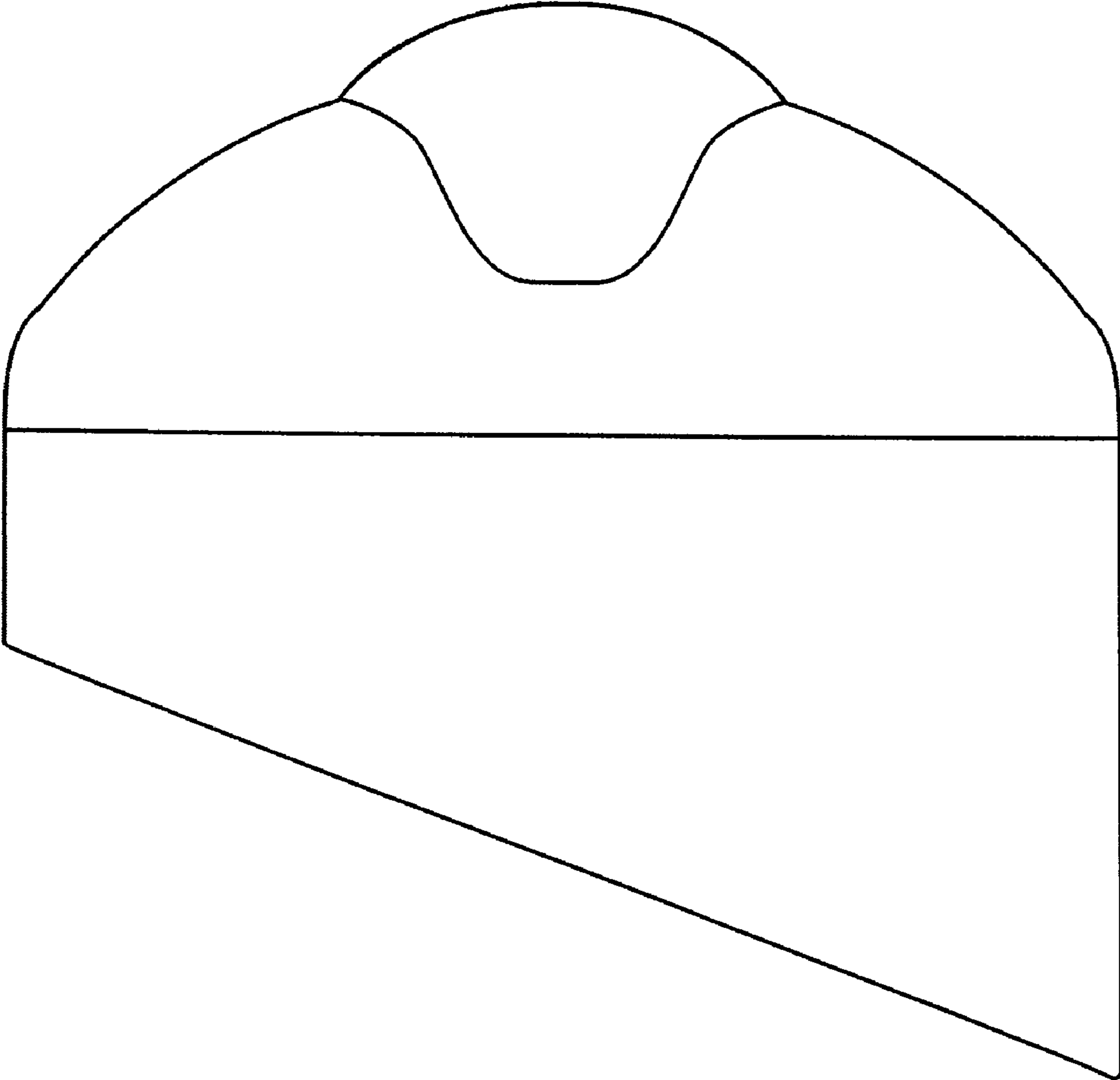


Figure 6

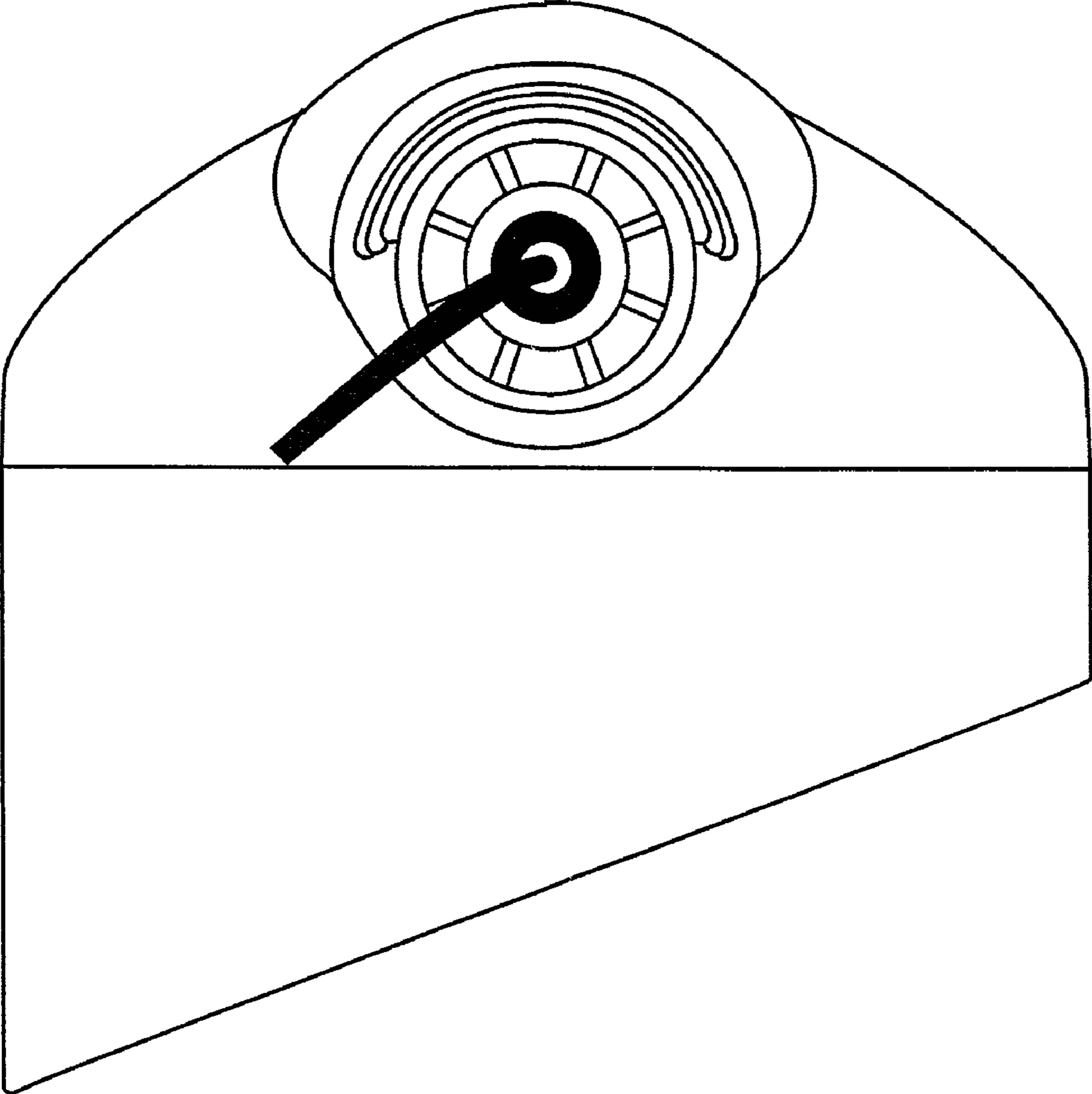


Figure 7