



US00D581065S

(12) **United States Design Patent**  
**Hawass**

(10) **Patent No.:** **US D581,065 S**  
(45) **Date of Patent:** **\*\* Nov. 18, 2008**

(54) **LIGHT-SOCKET-TYPE LANTERN HOLDER**

(76) Inventor: **Nour-El-Din Hawass**, 4 Lady Slipper Drive, Halifax, Nova Scotia (CA) B3M 3R5

(\*\*) Term: **14 Years**

(21) Appl. No.: **29/300,651**

(22) Filed: **Apr. 23, 2008**

(51) **LOC (8) Cl.** ..... **26-04**

(52) **U.S. Cl.** ..... **D26/2**

(58) **Field of Classification Search** ..... D26/1-4;  
313/313, 315, 317, 318, 493; 315/52, 53,  
315/56, 57, 58

See application file for complete search history.

(56) **References Cited**

**U.S. PATENT DOCUMENTS**

202,681	A	4/1878	Walton	
1,110,193	A	9/1914	Dougherty	
3,855,464	A	12/1974	Angelo	
3,917,441	A	11/1975	Gray	
5,482,456	A	1/1996	Jwayad	
5,700,154	A	12/1997	Geary	
6,135,814	A	10/2000	Fisher et al.	
6,929,380	B2	8/2005	Logan et al.	
D516,232	S	2/2006	Hawass	
D524,954	S	7/2006	Hawass	
D531,741	S *	11/2006	Takahashi	D26/2
D538,953	S *	3/2007	Mama	D26/2
D548,369	S *	8/2007	Bembridge	D26/2

D549,360	S *	8/2007	An	D26/2
D550,864	S *	9/2007	Hernandez et al.	D26/2
D553,267	S *	10/2007	Yuen	D26/2
2003/0235049	A1	12/2003	Wu	

**FOREIGN PATENT DOCUMENTS**

CA	229385	3/1923
CA	251491	7/1925
CA	380344	3/1939
CA	515161	8/1955
CA	1332055	9/1994
CA	2292130	7/2000

\* cited by examiner

*Primary Examiner*—Marcus A. Jackson

(74) *Attorney, Agent, or Firm*—Mario Theriault

(57) **CLAIM**

The ornamental design for a light-socket-type lantern holder, as shown and described.

**DESCRIPTION**

FIG. 1 is a perspective rear, bottom and left side view of a light-socket-type lantern holder, showing my new design;

FIG. 2 is a top view thereof;

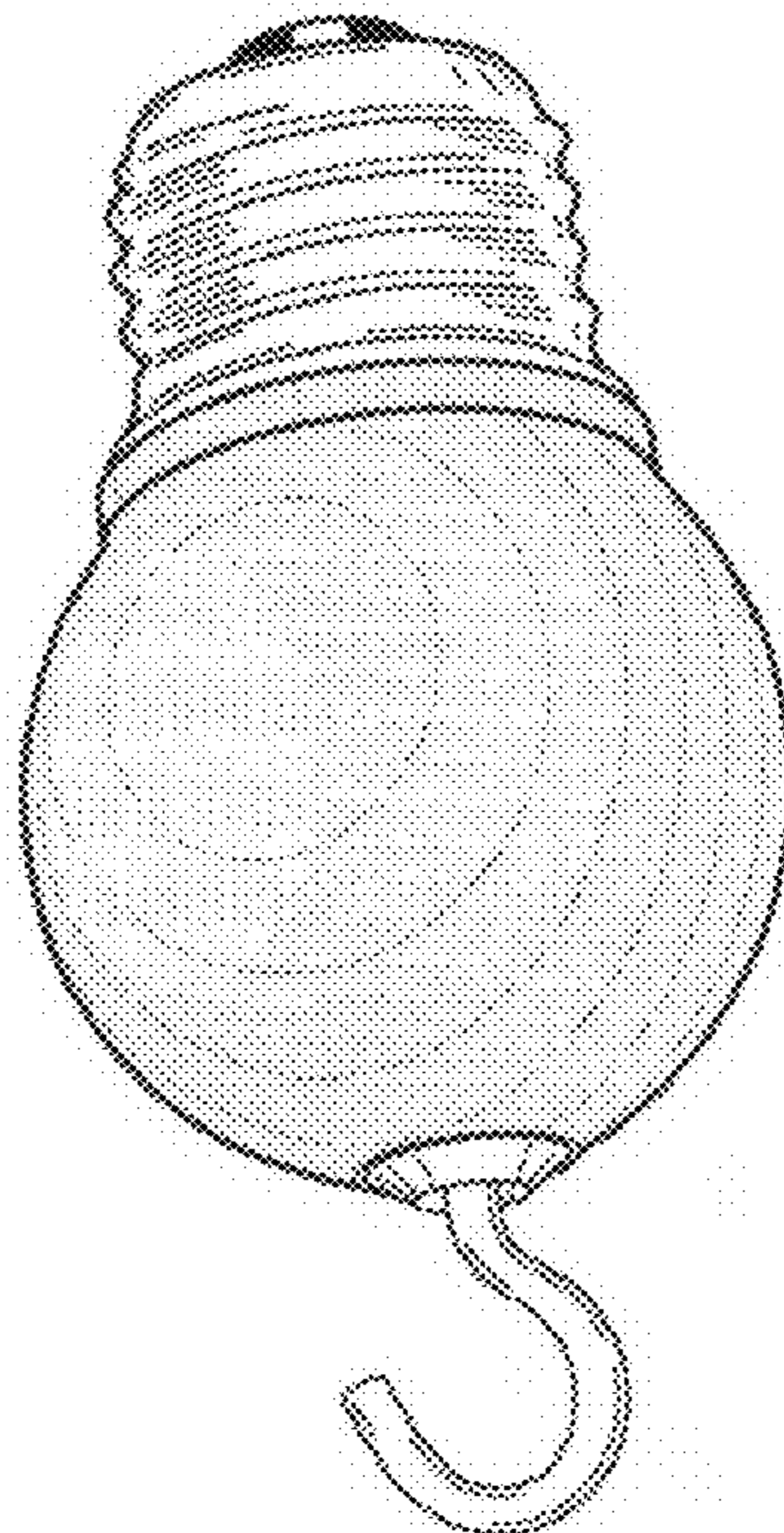
FIG. 3 is a bottom view thereof;

FIG. 4 is a front view thereof;

FIG. 5 is a rear view thereof; and,

FIG. 6 is a right side view thereof; the left side view is a mirror image.

**1 Claim, 1 Drawing Sheet**



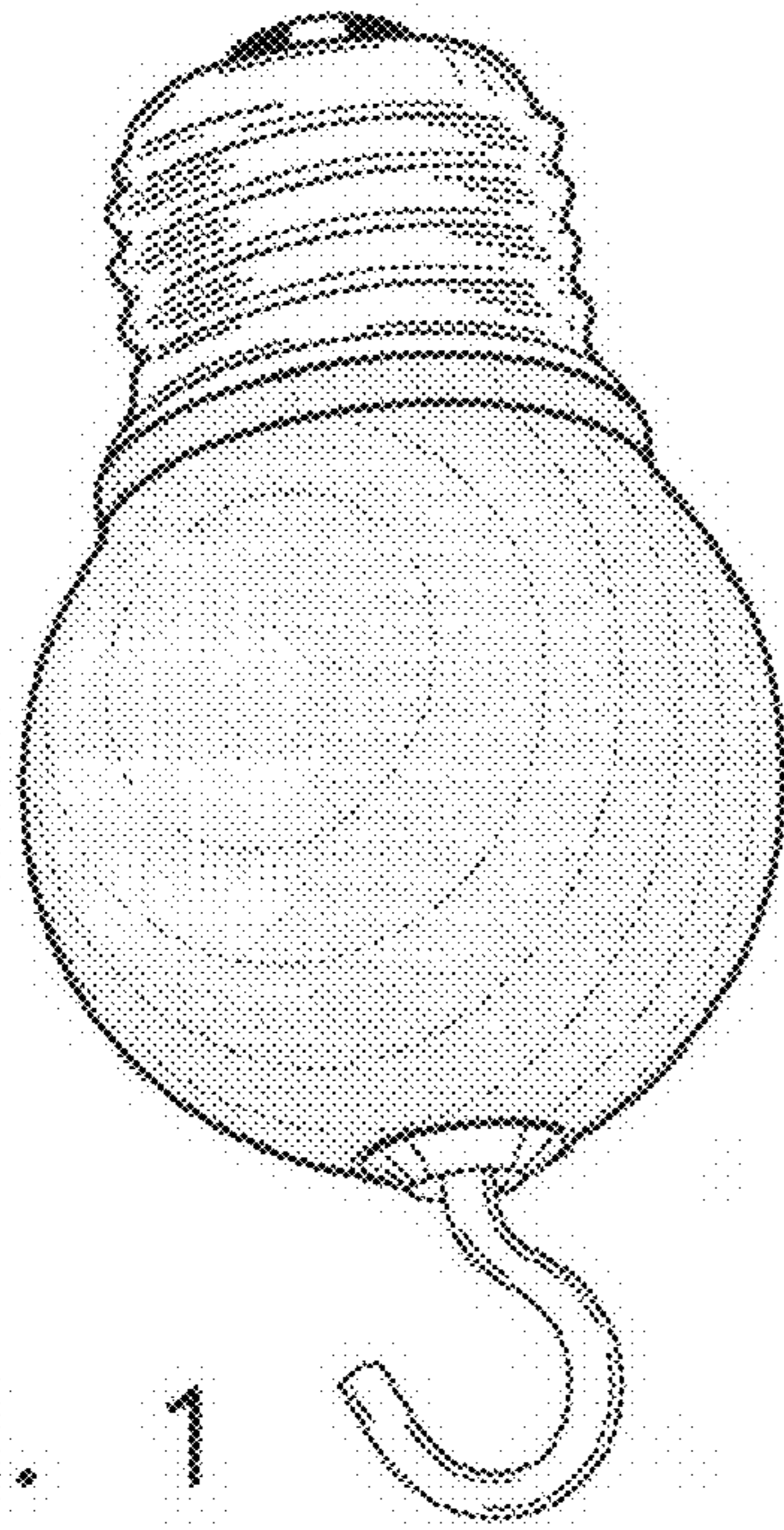


FIG. 1

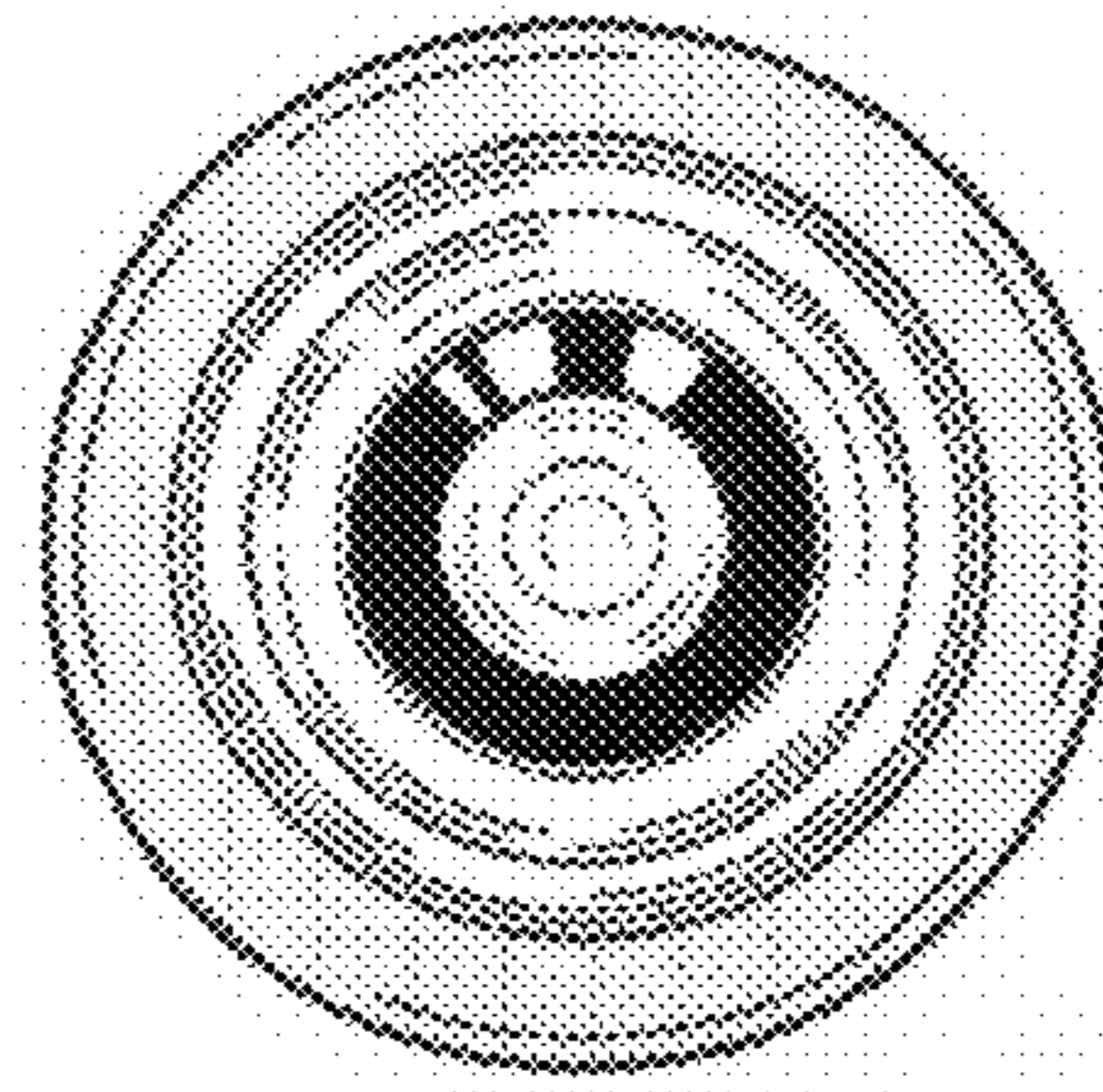


FIG. 2

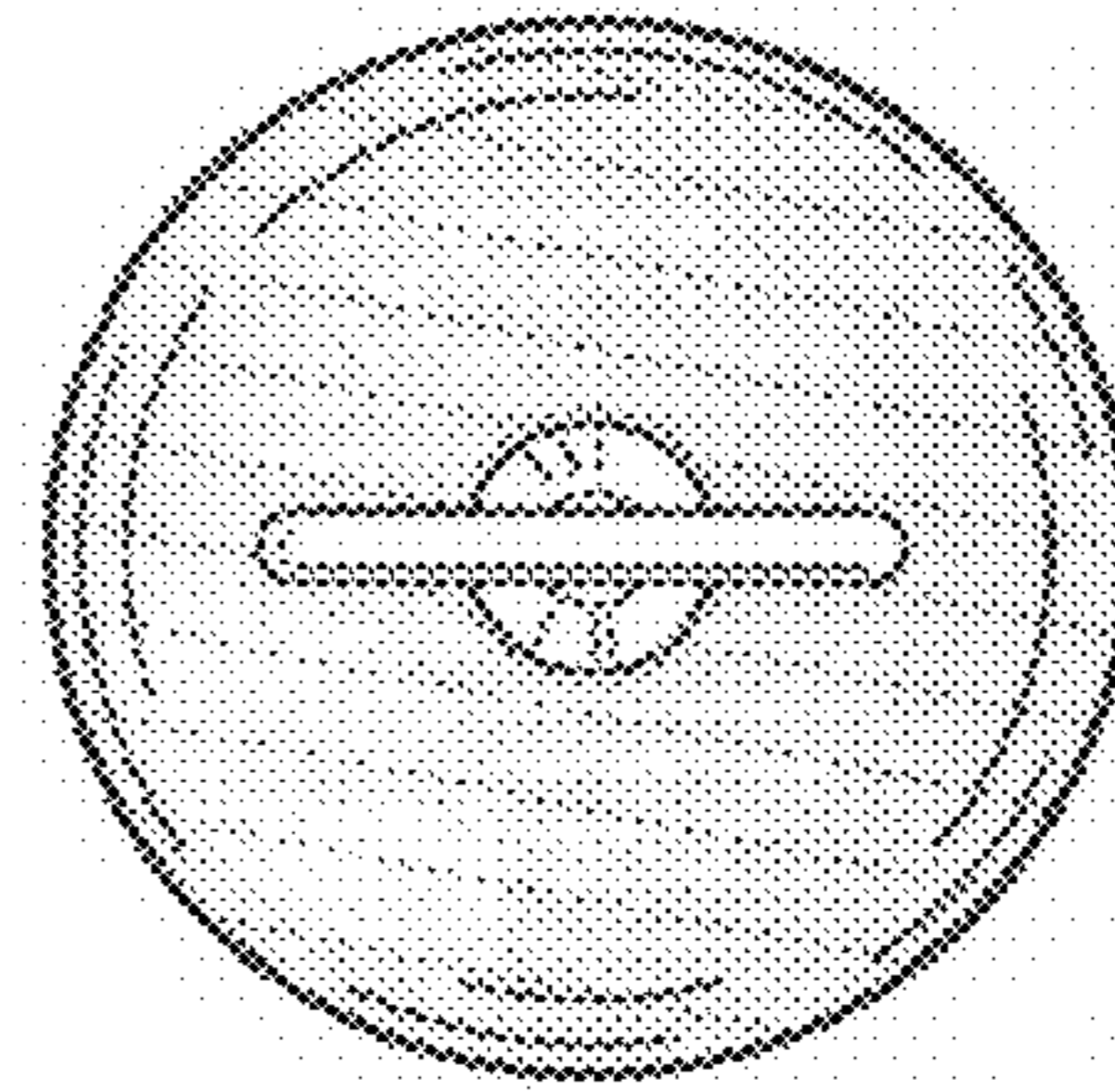


FIG. 3

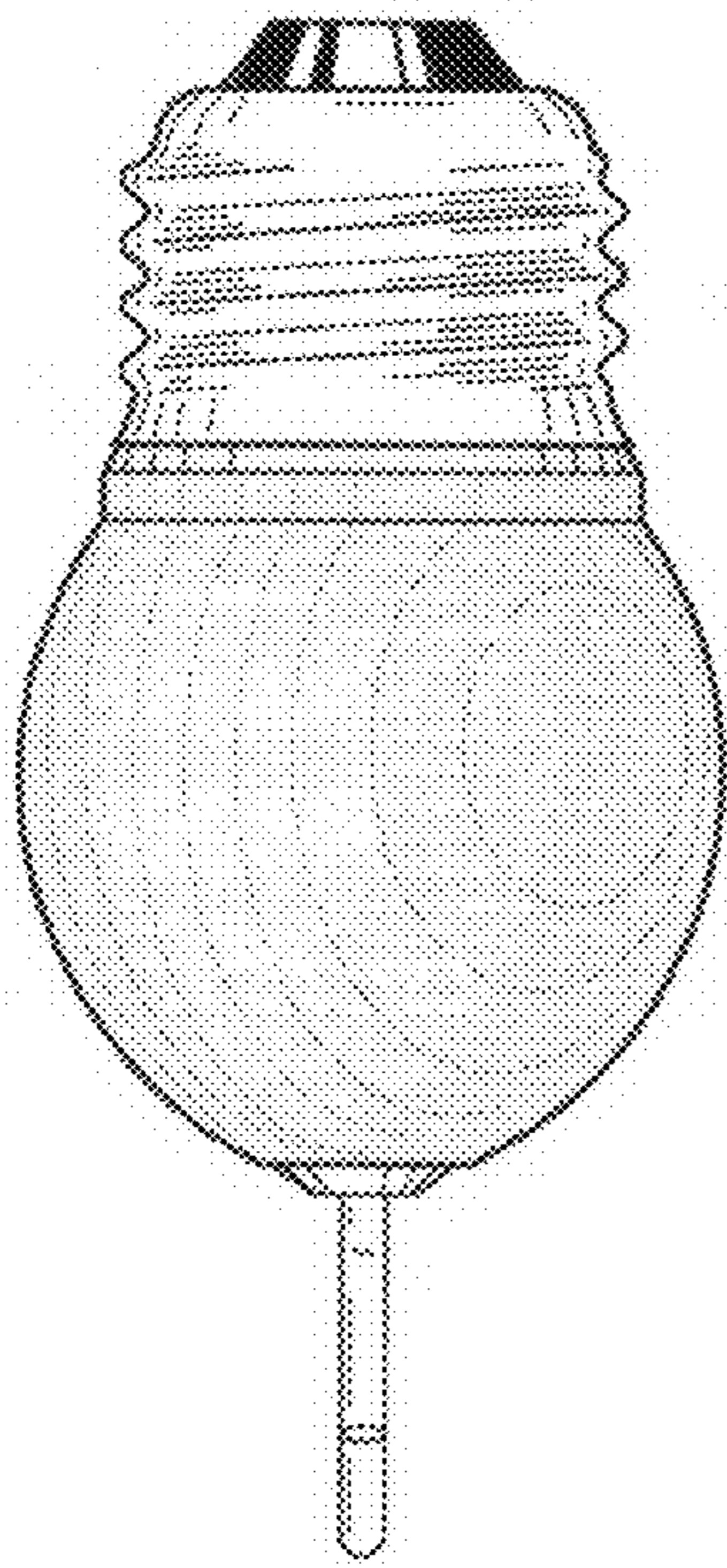


FIG. 4

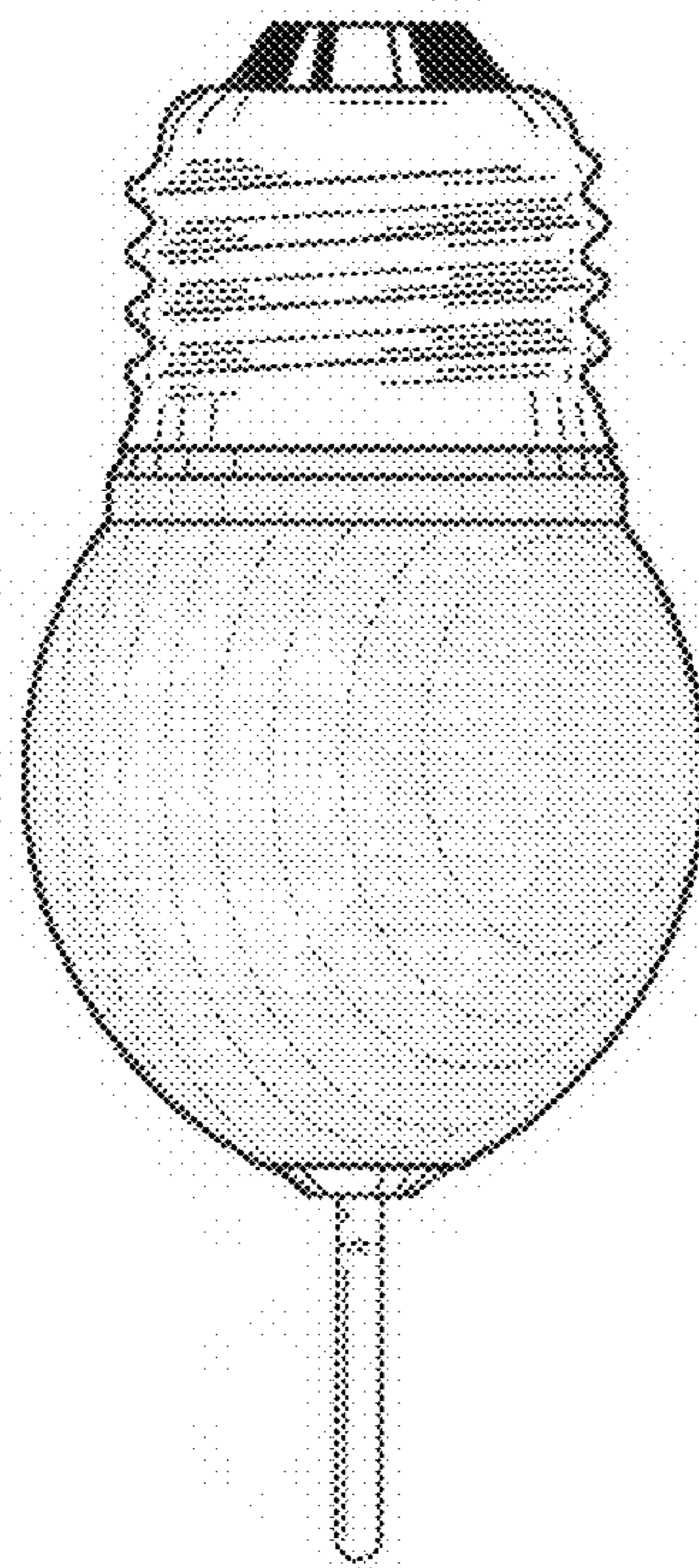


FIG. 5

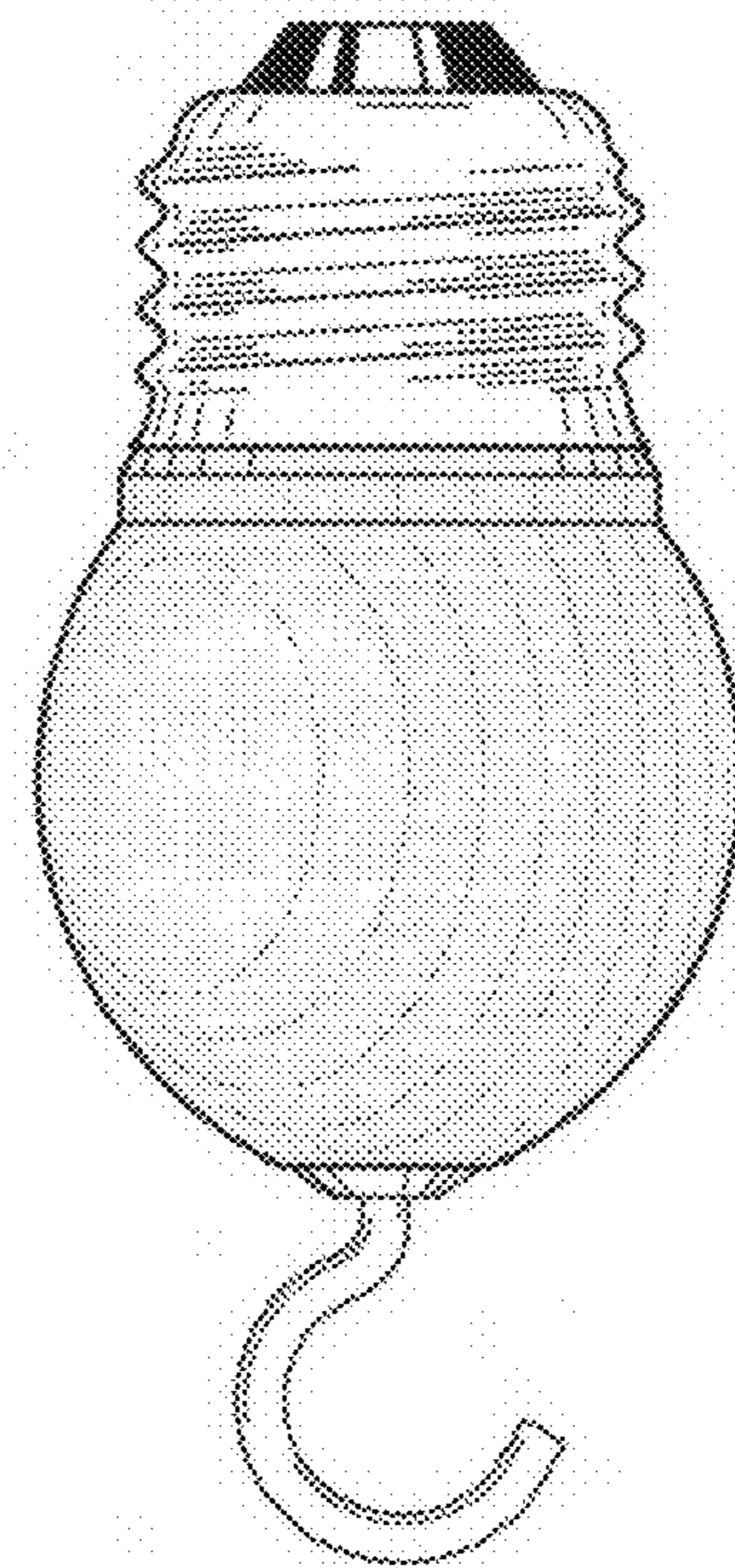


FIG. 6