



US00D581061S

(12) **United States Design Patent**
LaPerna

(10) **Patent No.:** **US D581,061 S**

(45) **Date of Patent:** **** Nov. 18, 2008**

(54) **PANEL SYSTEM, INSECT REPELLANT,
MILDEW RESISTING, REFURBISHABLE**

Primary Examiner—Catherine R Oliver

(76) **Inventor:** **Ralph Anthony LaPerna**, 2507 Waters
Edge, Neptune Beach, FL (US) 32266

(57) **CLAIM**

The new original and ornamental design for panel system,
insect repellent, mildew resisting, refurbishable, as shown
and described.

(**) **Term:** **14 Years**

(21) **Appl. No.:** **29/286,984**

DESCRIPTION

(22) **Filed:** **May 24, 2007**

(51) **LOC (8) Cl.** **25-01**

(52) **U.S. Cl.** **D25/138**

(58) **Field of Classification Search** D25/53,
D25/52, 48, 138, 124–125, 119; 160/12–13,
160/101–102, 105, 108, 95–100; 52/177,
52/87, 650.3, 588.1

See application file for complete search history.

FIG. 1 is a perspective view of panel system, insect repellent,
mildew resisting, refurbishable

FIG. 2 is a front elevation view thereof;

FIG. 3 is a rear elevation view thereof;

FIG. 4 is a left side elevation view thereof;

FIG. 5 is a right side elevation view thereof;

FIG. 6 is a top view thereof; and,

FIG. 7 is a bottom view thereof.

The broken line showing of environment is included for pur-
pose of illustrating only and forms no part of the claimed
design.

Figures shown broken away indicate indeterminate length.

(56) **References Cited**

U.S. PATENT DOCUMENTS

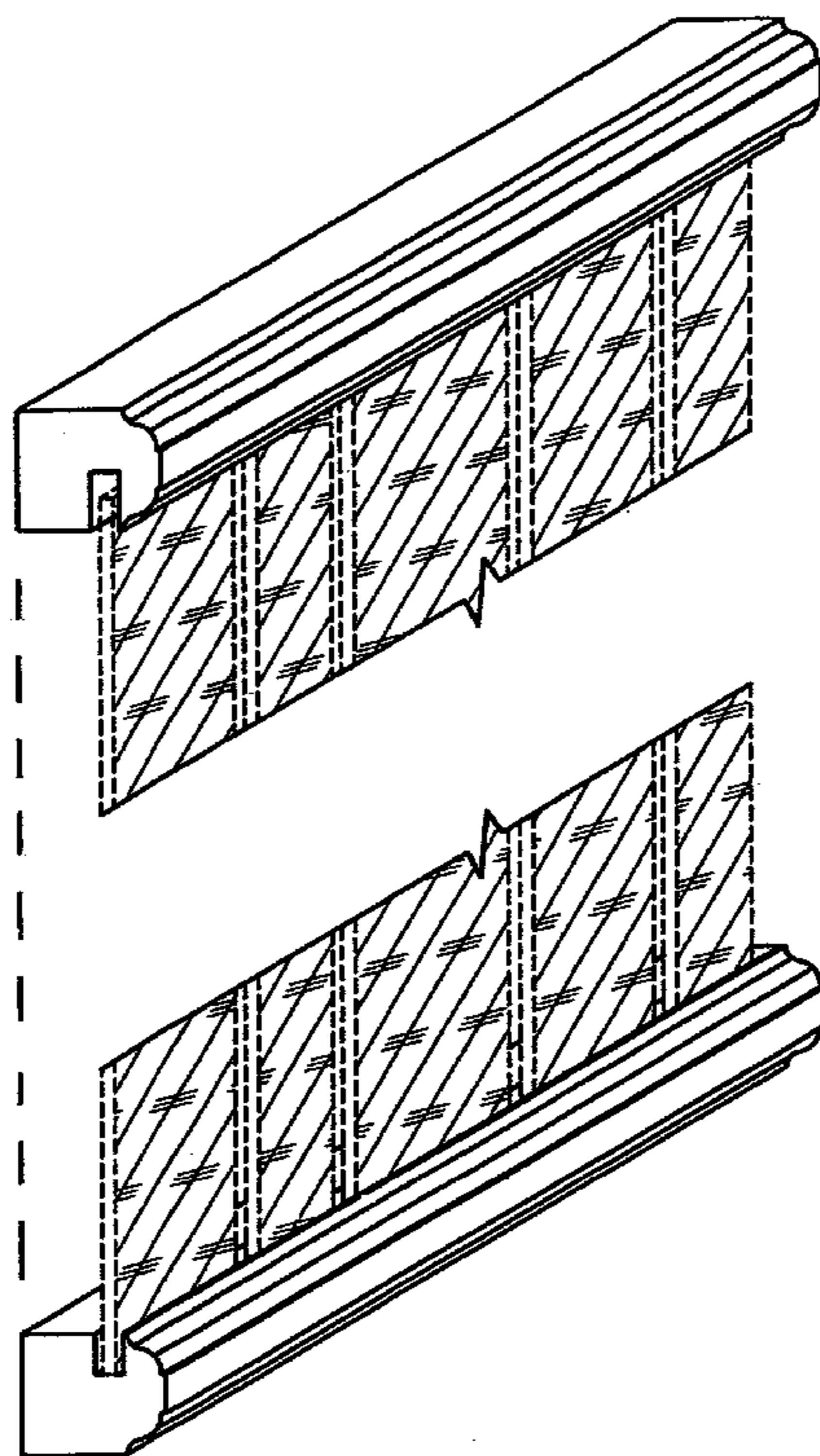
D473,319 S * 4/2003 Martin D25/53

D535,406 S * 1/2007 Martin D25/53

D555,813 S * 11/2007 Herdal D25/138

* cited by examiner

1 Claim, 5 Drawing Sheets



**PERSPECTIVE
VIEW**

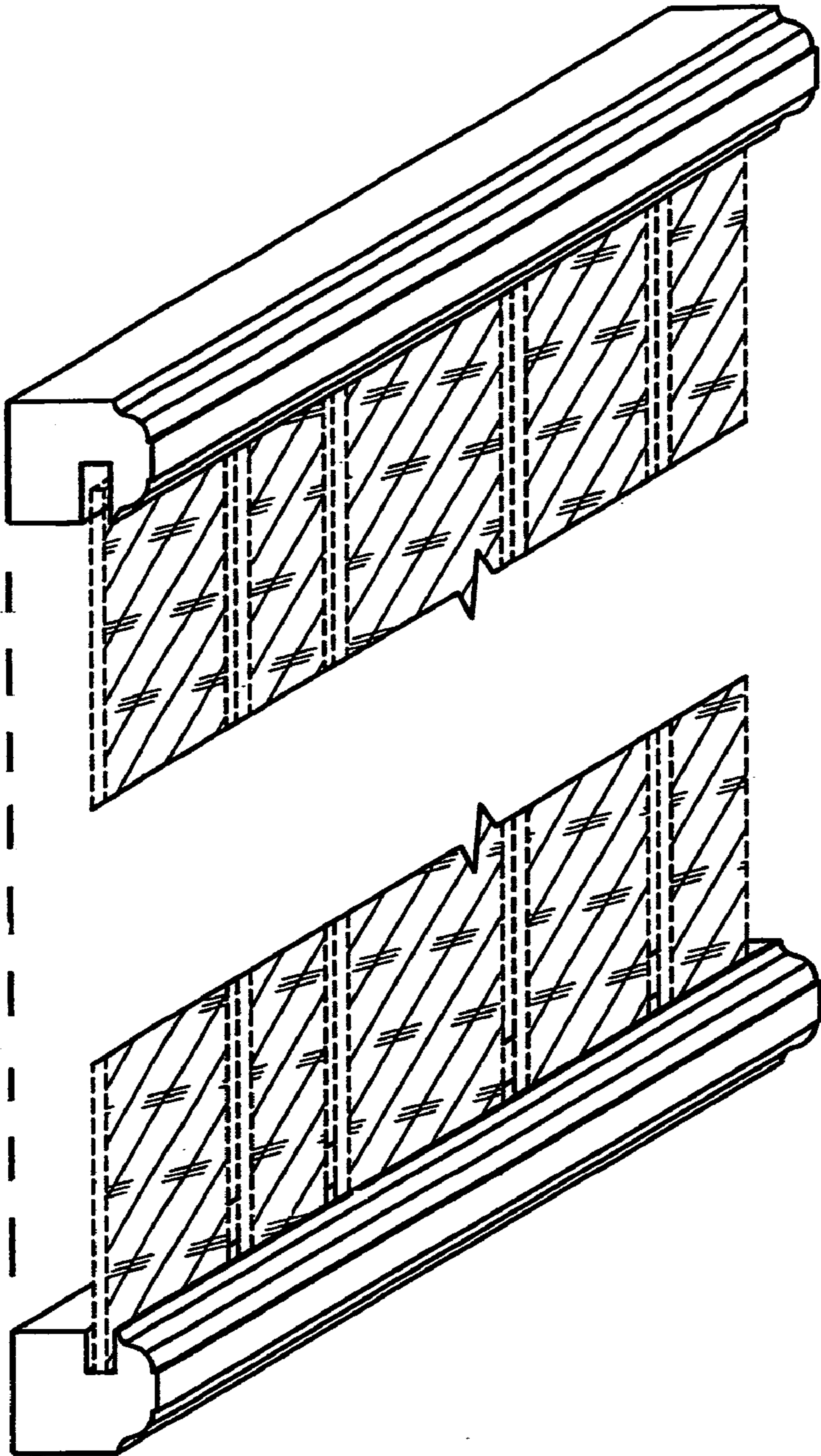


FIG. 1
PERSPECTIVE
VIEW

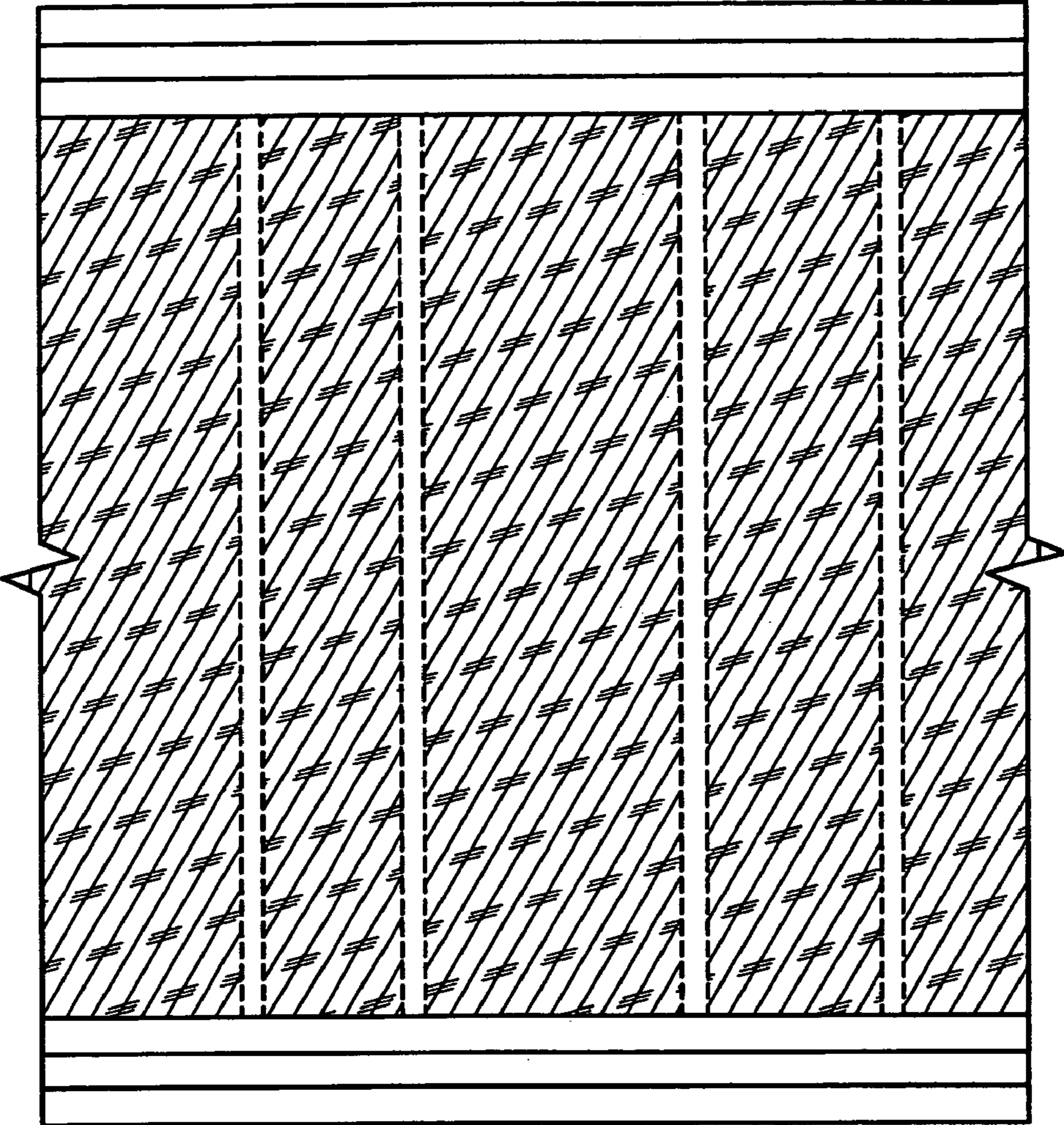


FIG. 2
FRONT
ELEVATION

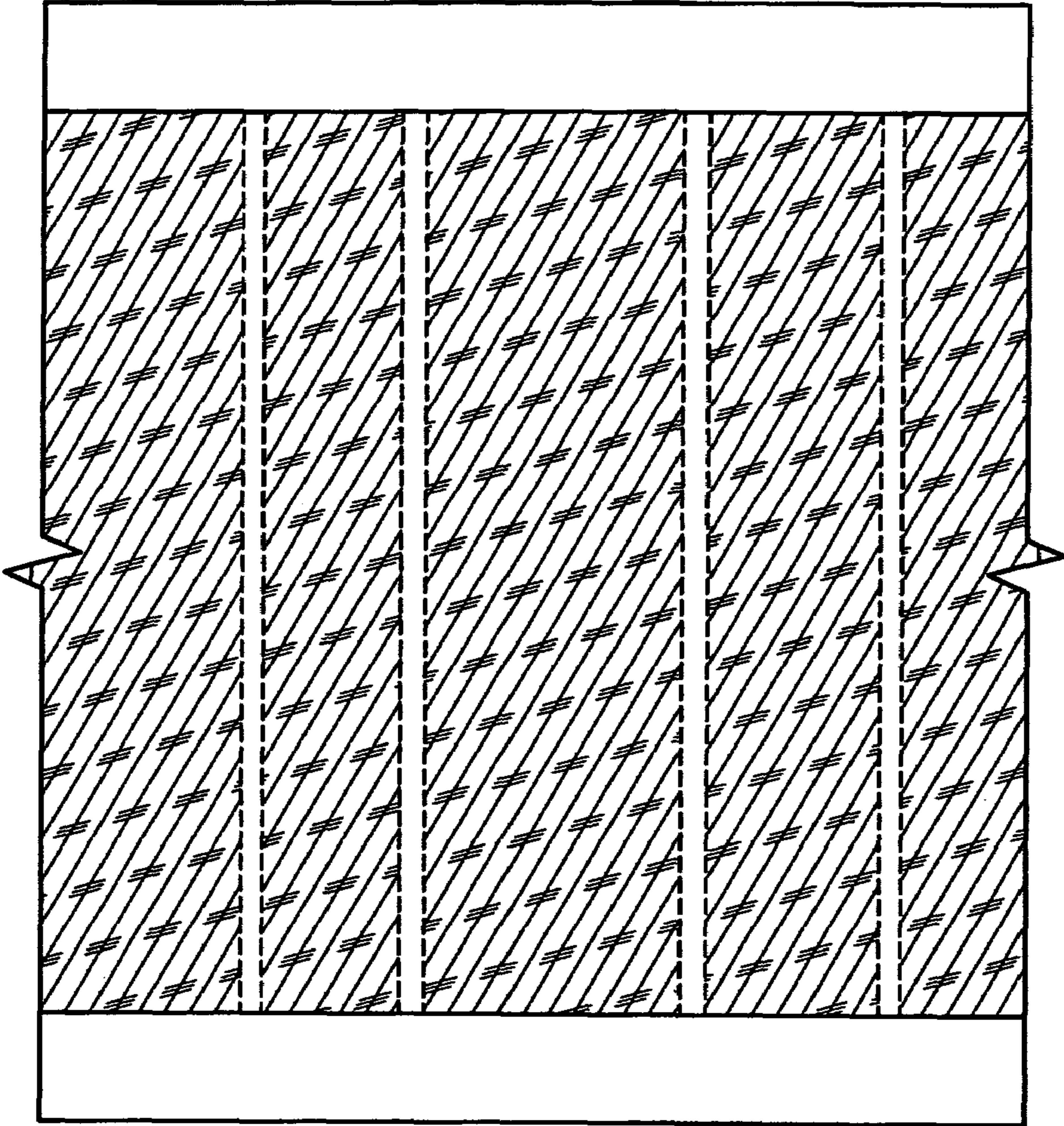


FIG. 3
REAR
ELEVATION



FIG. 4
LEFT SIDE
ELEVATION

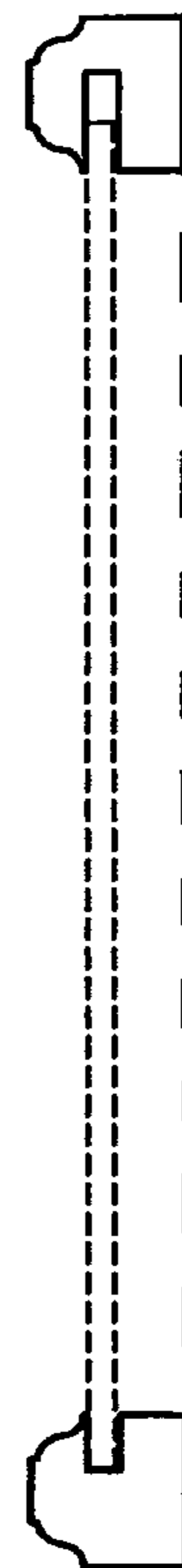


FIG. 5
RIGHT SIDE
ELEVATION

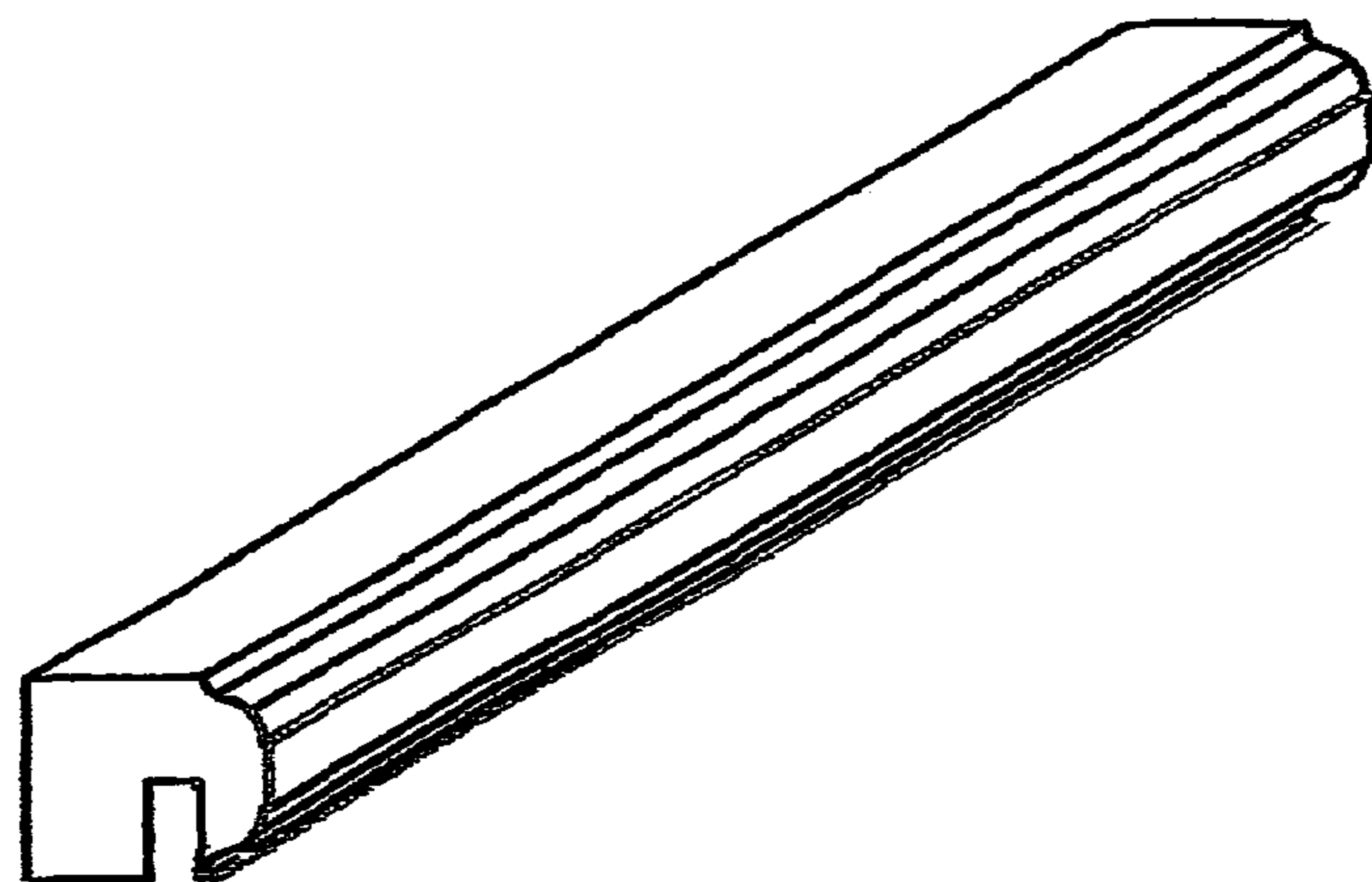


FIG. 6
TOP VIEW

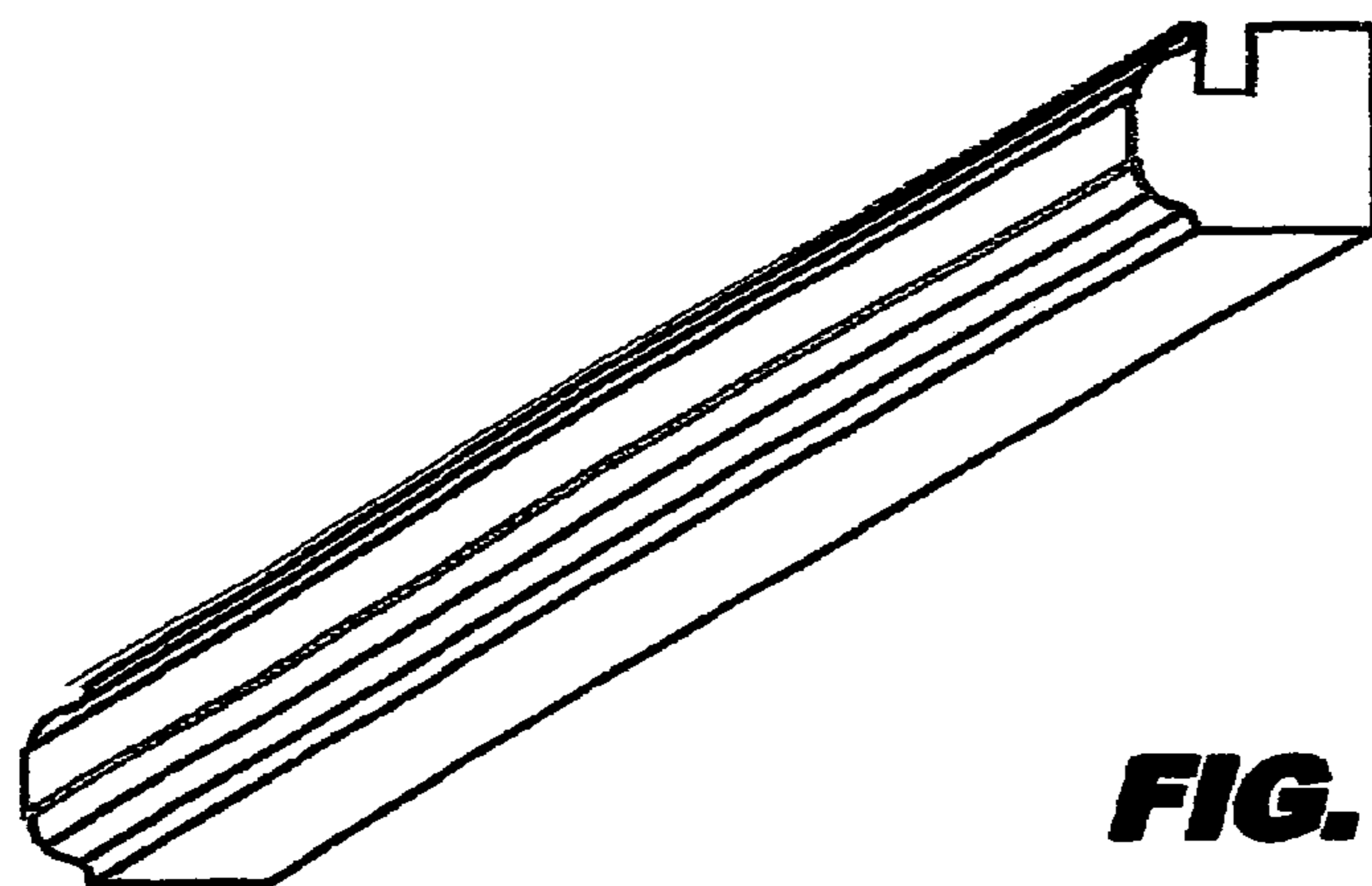


FIG. 7
BOTTOM VIEW