



US00D581058S

(12) **United States Design Patent**  
**Elkerbout**

(10) **Patent No.:** **US D581,058 S**  
(45) **Date of Patent:** **\*\* Nov. 18, 2008**

(54) **UV SANITIZER**

(75) Inventor: **Marten Frans Elkerbout**, Dalen (NL)

(73) Assignee: **Koninklijke Philips Electronics N.V.**,  
Eindhoven (NL)

(\*\*) Term: **14 Years**

(21) Appl. No.: **29/297,887**

(22) Filed: **Nov. 21, 2007**

(30) **Foreign Application Priority Data**

May 24, 2007 (EM) ..... 000728464-0004

(51) **LOC (8) Cl.** ..... **28-03**

(52) **U.S. Cl.** ..... **D24/217**

(58) **Field of Classification Search** ..... D32/1,  
D32/25, 35; D24/217-218; 134/84, 90,  
134/117, 135, 184; 15/1, 1.51, 320; D6/534;  
422/24, 298-300, 305

See application file for complete search history.

(56) **References Cited**

**U.S. PATENT DOCUMENTS**

D203,218 S \* 12/1965 Harrison ..... D24/217  
D337,163 S \* 7/1993 James ..... D24/217

D413,986 S \* 9/1999 Lin ..... D24/217  
D527,461 S \* 8/2006 Yue ..... D24/217  
D538,437 S \* 3/2007 Yue ..... D24/217  
7,378,067 B2 \* 5/2008 Song et al. .... 422/298

**OTHER PUBLICATIONS**

[http://www.amazon.com/gp/product/images/B000UK2W4C/ref=dp\\_othersviews\\_1?ie=UTF8&s=hpc&img=1](http://www.amazon.com/gp/product/images/B000UK2W4C/ref=dp_othersviews_1?ie=UTF8&s=hpc&img=1) Jun. 30, 2008.\*

\* cited by examiner

*Primary Examiner*—Louis S Zarfaz

*Assistant Examiner*—Kathleen M Sims

(57) **CLAIM**

The ornamental design for a UV sanitizer, as shown.

**DESCRIPTION**

FIG. 1 is a perspective view of a UV sanitizer showing my new design;

FIG. 2 is a front elevational view thereof;

FIG. 3 is a rear elevational view thereof;

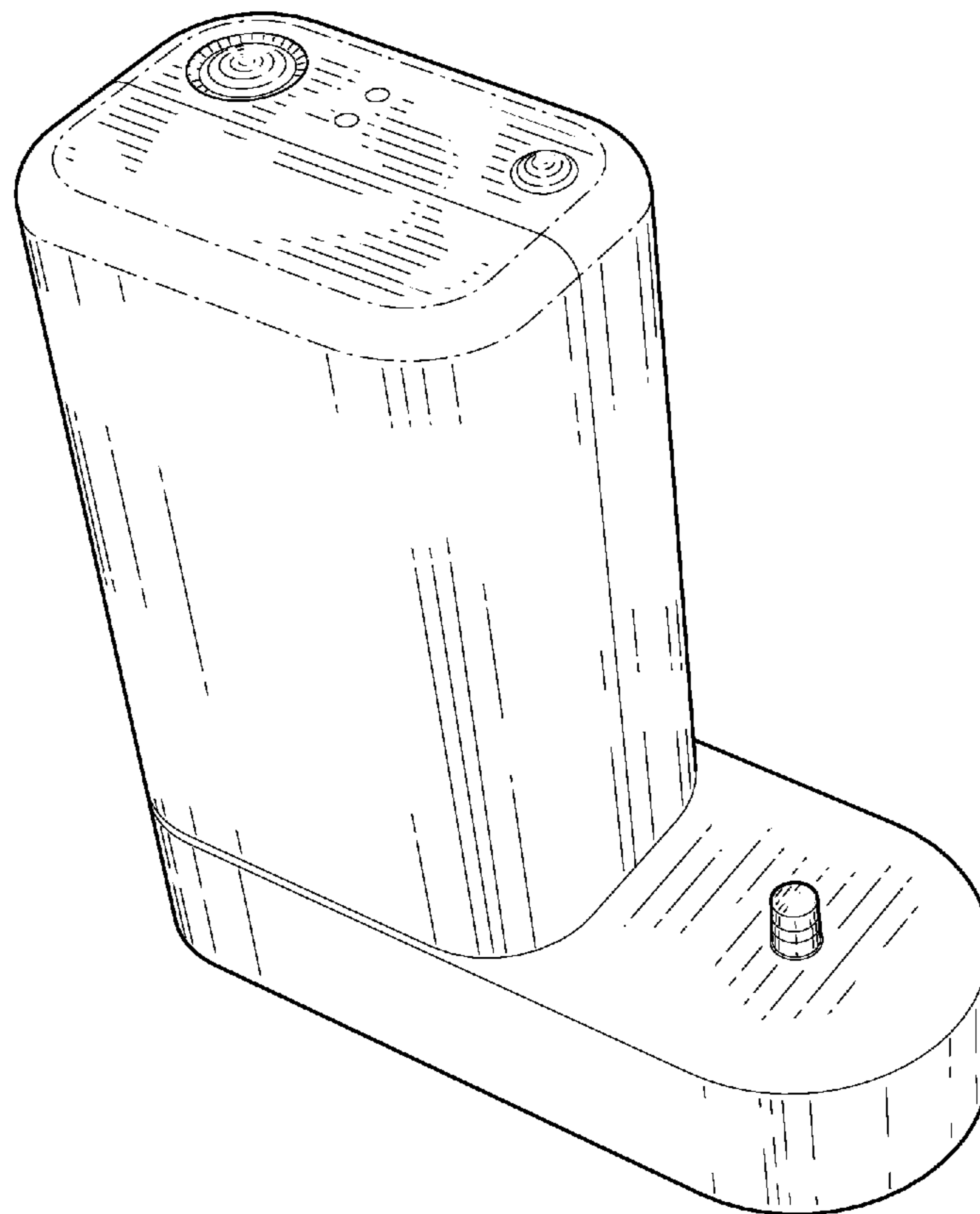
FIG. 4 is a right side elevational view thereof;

FIG. 5 is a left side elevational view thereof;

FIG. 6 is a top plan view thereof; and,

FIG. 7 is a bottom plan view thereof.

**1 Claim, 5 Drawing Sheets**



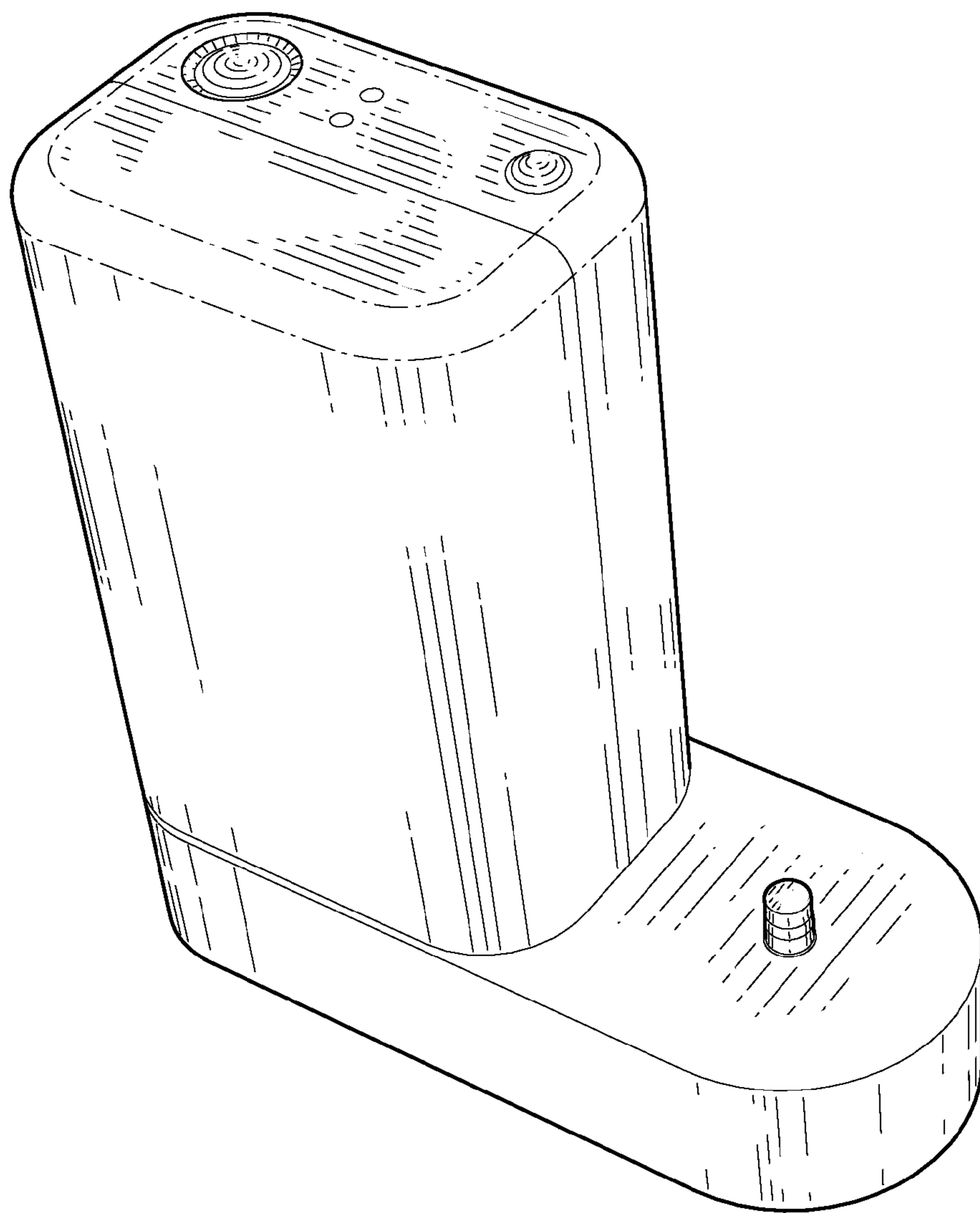


FIG. 1

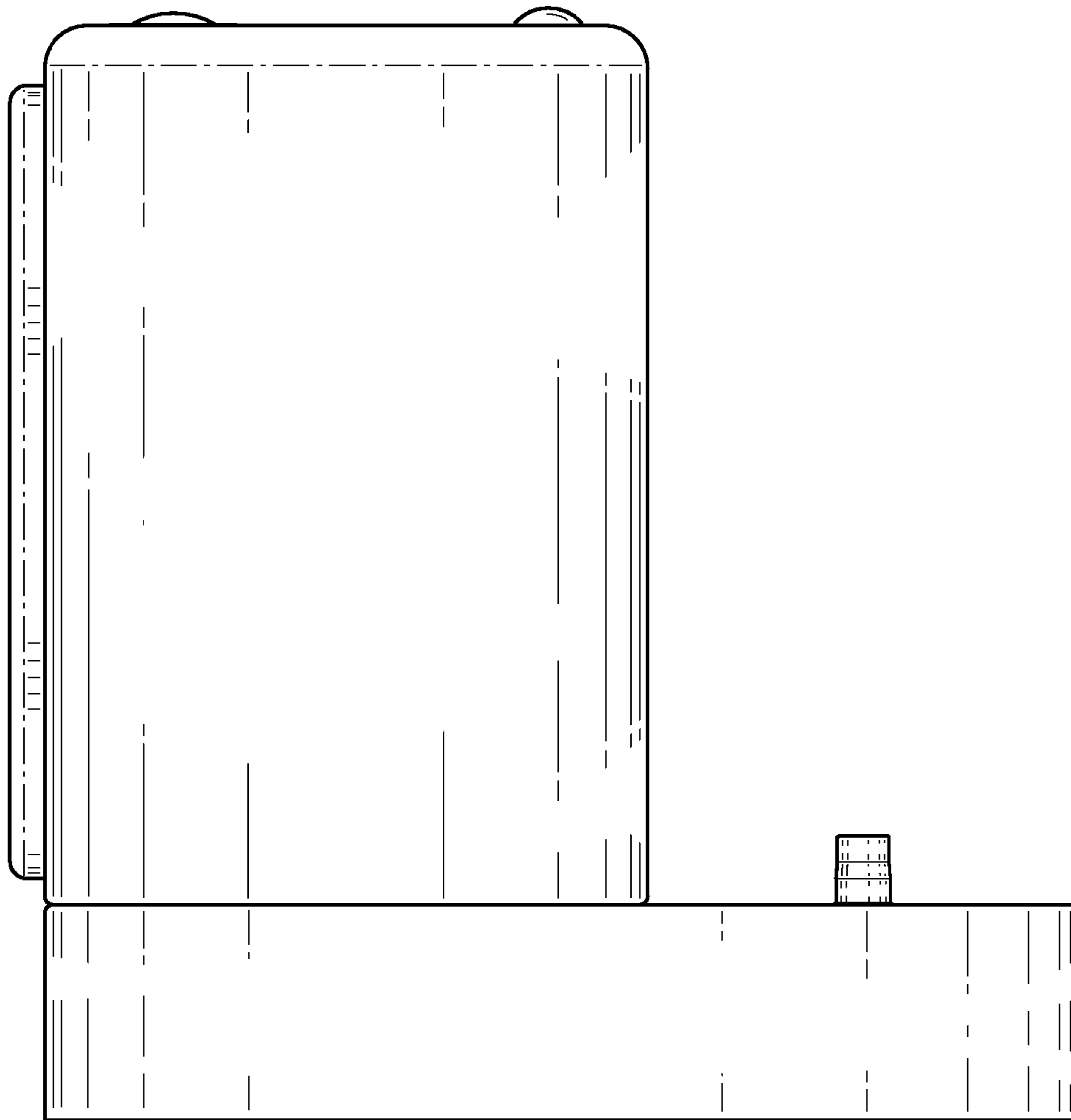


FIG. 2

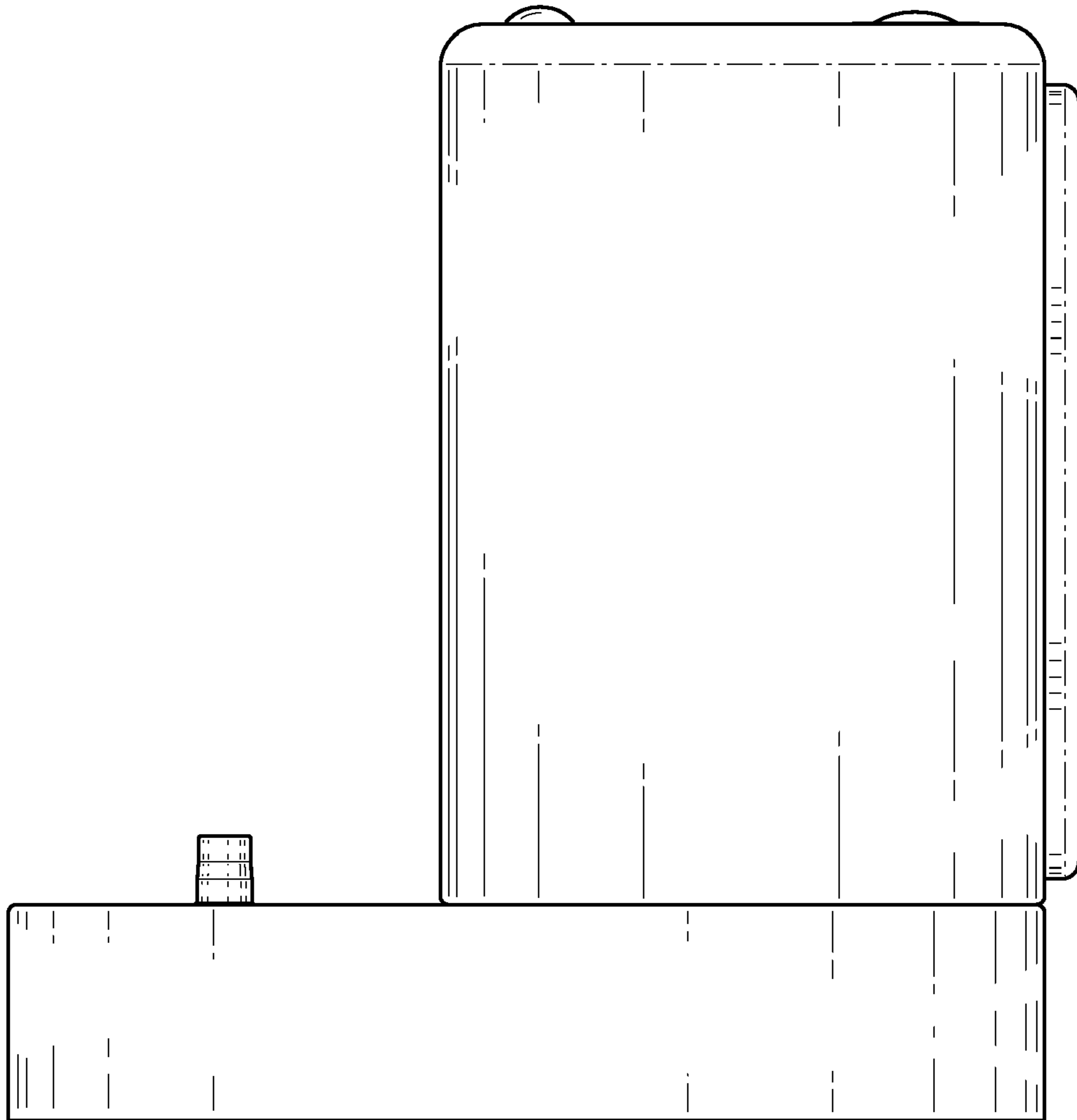


FIG. 3

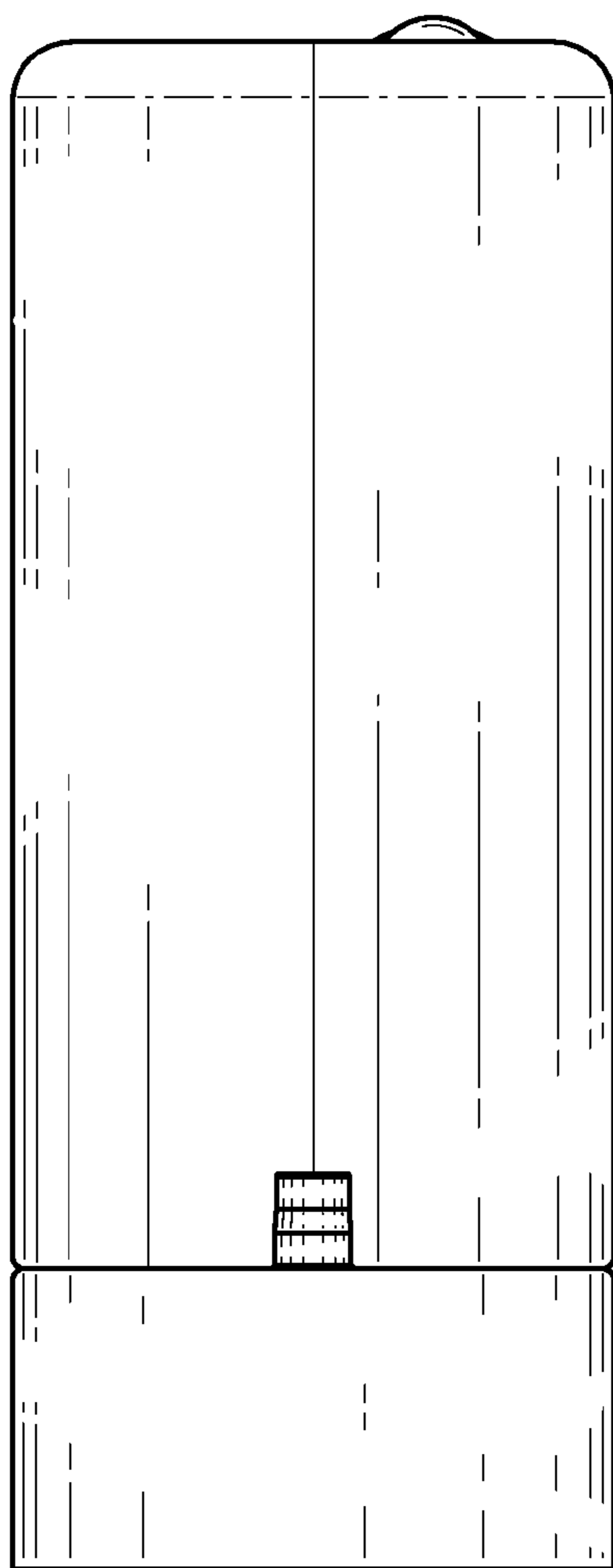


FIG. 4

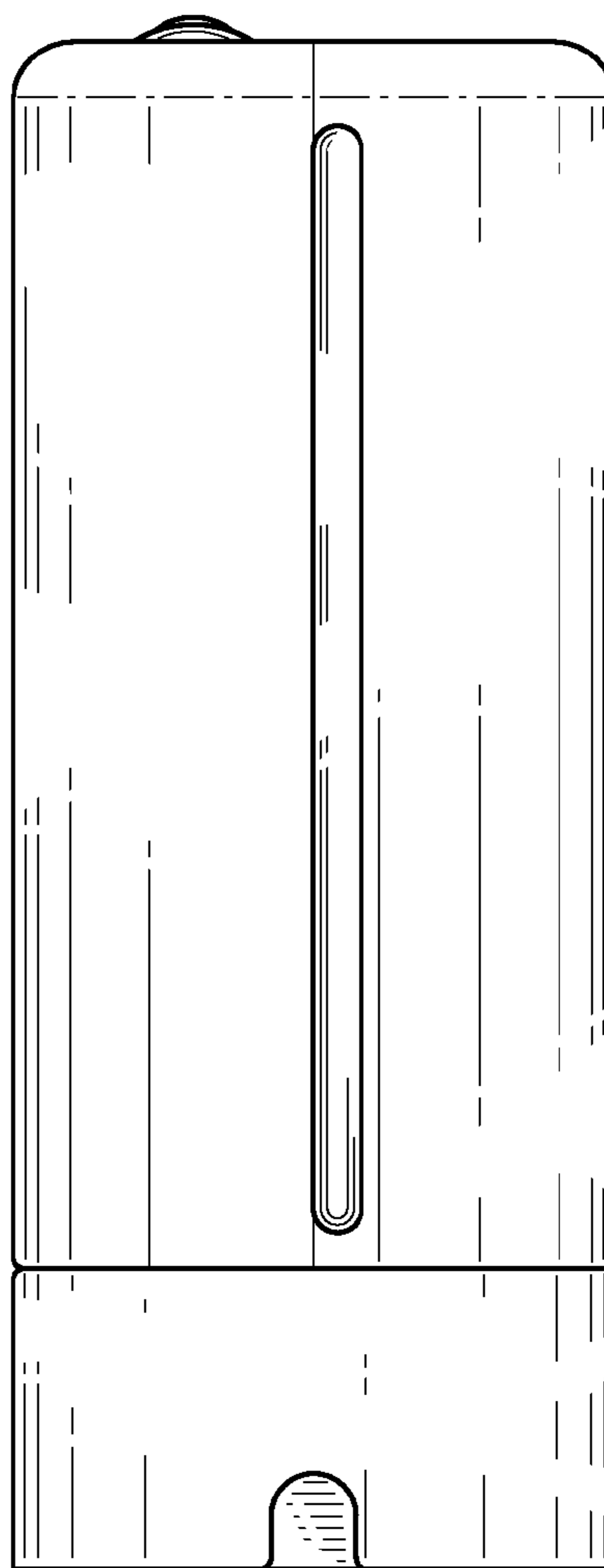


FIG. 5

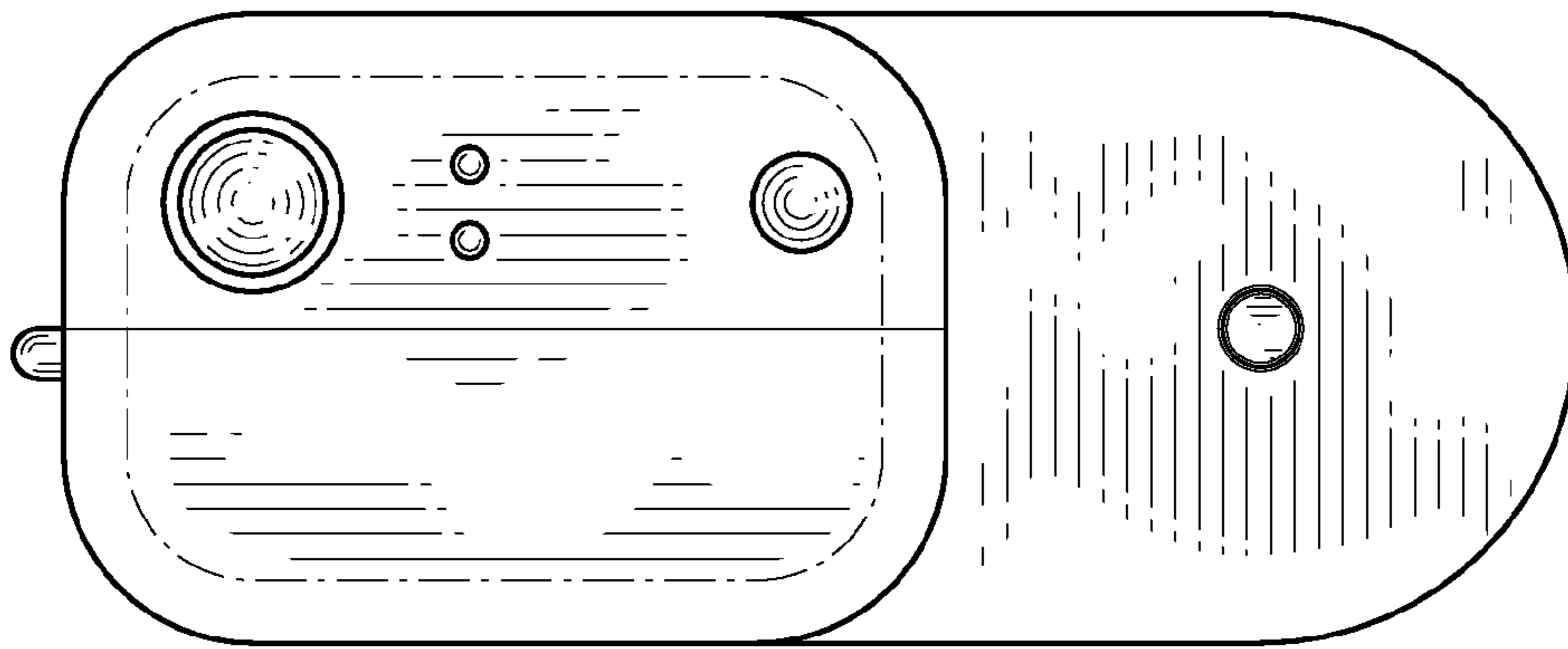


FIG. 6

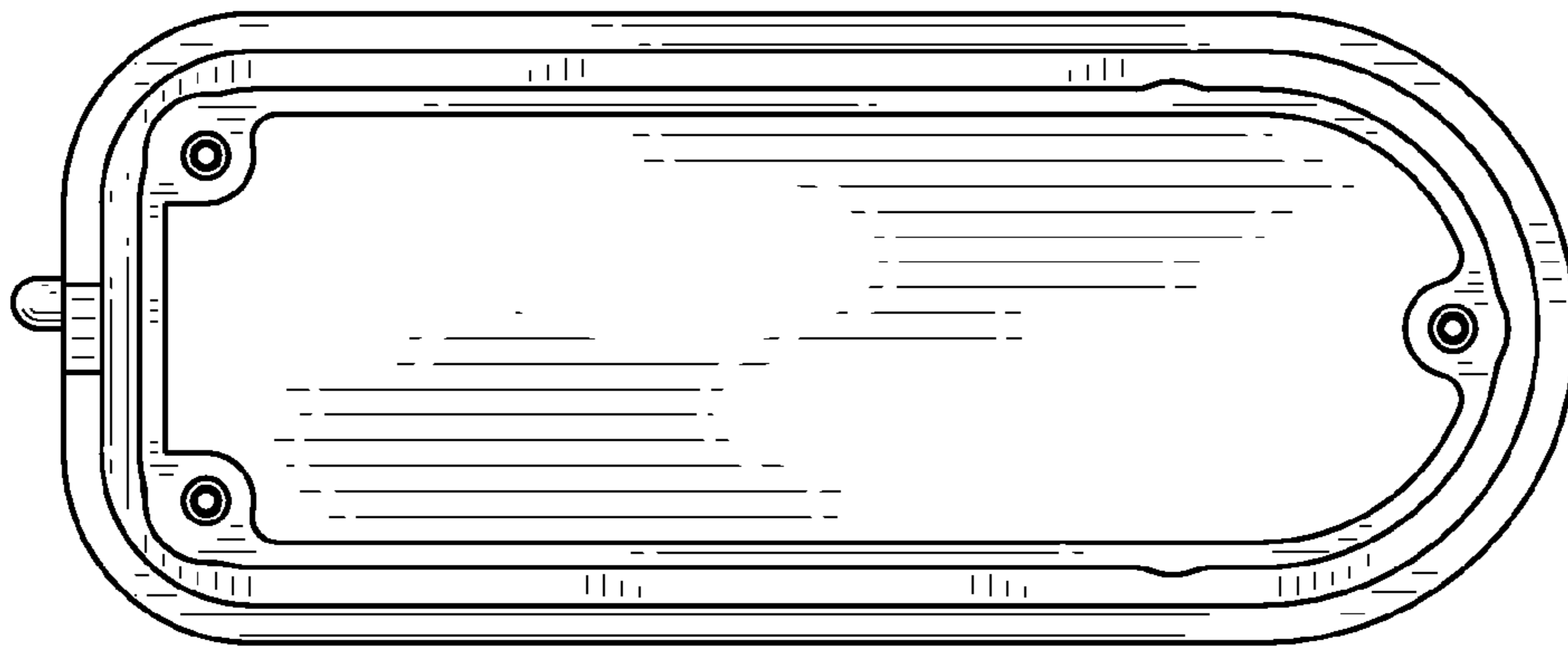


FIG. 7