



US00D581052S

(12) **United States Design Patent**  
**Root et al.**

(10) **Patent No.:** **US D581,052 S**  
(45) **Date of Patent:** **\*\* Nov. 18, 2008**

(54) **CONTROL HANDLE FOR AN ENDOSCOPIC DEVICE**

(75) Inventors: **Thomas V. Root**, Beverly, MA (US);  
**Robb M. Gavalis**, Bolton, MA (US);  
**Robert J. Krupa**, Leominster, MA (US);  
**Anthony J. Parillo**, Sherborn, MA (US);  
**William F. LaFlash**, Northbridge, MA (US);  
**Aleksandra Levshina**, Leominster, MA (US)

(73) Assignee: **Optim, Incorporated**, Sturbridge, MA (US)

(\*\*) Term: **14 Years**

(21) Appl. No.: **29/284,763**

(22) Filed: **Sep. 14, 2007**

(51) **LOC (8) Cl.** ..... **24-02**

(52) **U.S. Cl.** ..... **D24/138; D24/133**

(58) **Field of Classification Search** ..... D24/133,  
D24/138; 600/178

See application file for complete search history.

(56) **References Cited**

U.S. PATENT DOCUMENTS

3,897,775	A *	8/1975	Furihata	600/131
4,078,555	A *	3/1978	Takahashi	600/148
4,474,174	A *	10/1984	Petruzzi	600/104
D277,505	S *	2/1985	Kubokawa et al.	D24/138
4,911,148	A *	3/1990	Sosnowski et al.	600/136
4,947,828	A *	8/1990	Carpenter et al.	600/113
5,199,417	A *	4/1993	Muller et al.	600/128
D335,710	S *	5/1993	Ainger, III	D24/138
5,373,317	A	12/1994	Salvati	
D358,471	S	5/1995	Cope	
D410,286	S *	5/1999	Tamirisa	D24/138
6,315,712	B1	11/2001	Rovegno	
6,554,765	B1	4/2003	Yarush	

D495,413	S	8/2004	Perry	
D533,662	S *	12/2006	Nakajima et al.	D24/138
D533,939	S	12/2006	Root	
2001/0018551	A1 *	8/2001	Komi	600/131
2002/0103419	A1 *	8/2002	Christopher	600/156
2002/0137987	A1 *	9/2002	Watanabe et al.	600/178
2007/0282167	A1 *	12/2007	Barenboym et al.	600/131
2008/0114207	A1 *	5/2008	Krupa et al.	600/178
2008/0132760	A1 *	6/2008	Takeuchi	600/129

\* cited by examiner

*Primary Examiner*—Ian Simmons

*Assistant Examiner*—Carissa C Fitts

(74) *Attorney, Agent, or Firm*—Mirick O’Connell DeMallie & Lougee, LLP.; Roger P. Zimmerman

(57) **CLAIM**

The ornamental design for a control handle for an endoscopic device, as shown and described.

**DESCRIPTION**

FIG. 1 is a perspective view of an embodiment of a control handle for an endoscopic device;

FIG. 2 is a rear elevational view of the embodiment of FIG. 1; FIG. 3 is a front elevational view of the embodiment of FIG. 1;

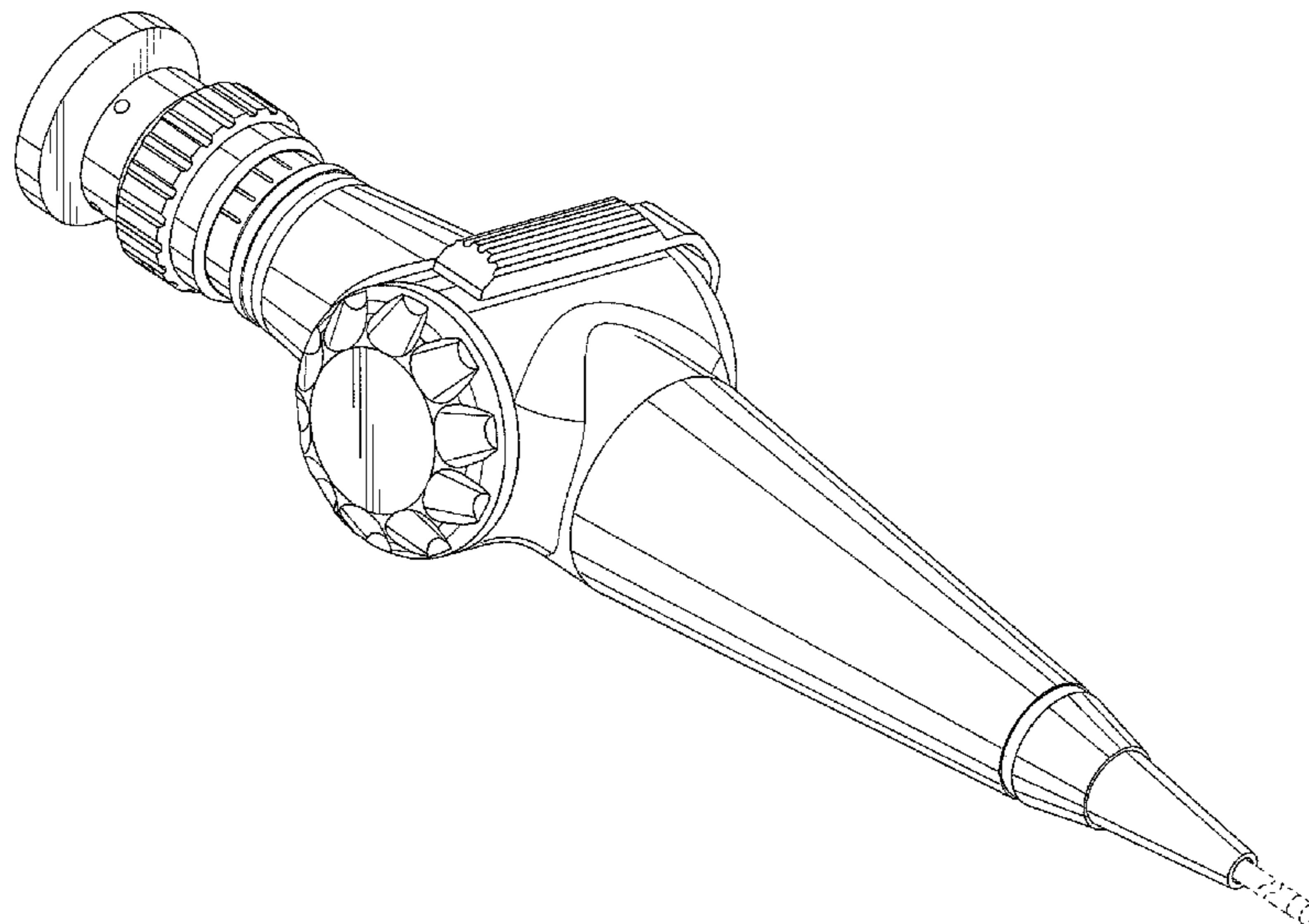
FIG. 4 is a right side elevational view of the embodiment of FIG. 1;

FIG. 5 is a left side elevational view of the embodiment of FIG. 1;

FIG. 6 is a top plan view of the embodiment of FIG. 1; and, FIG. 7 is a bottom plan view of the embodiment of FIG. 1.

The portion of the article shown in broken lines in FIGS. 1–7 is for illustrative purposes only and forms no part of the claimed design.

**1 Claim, 6 Drawing Sheets**



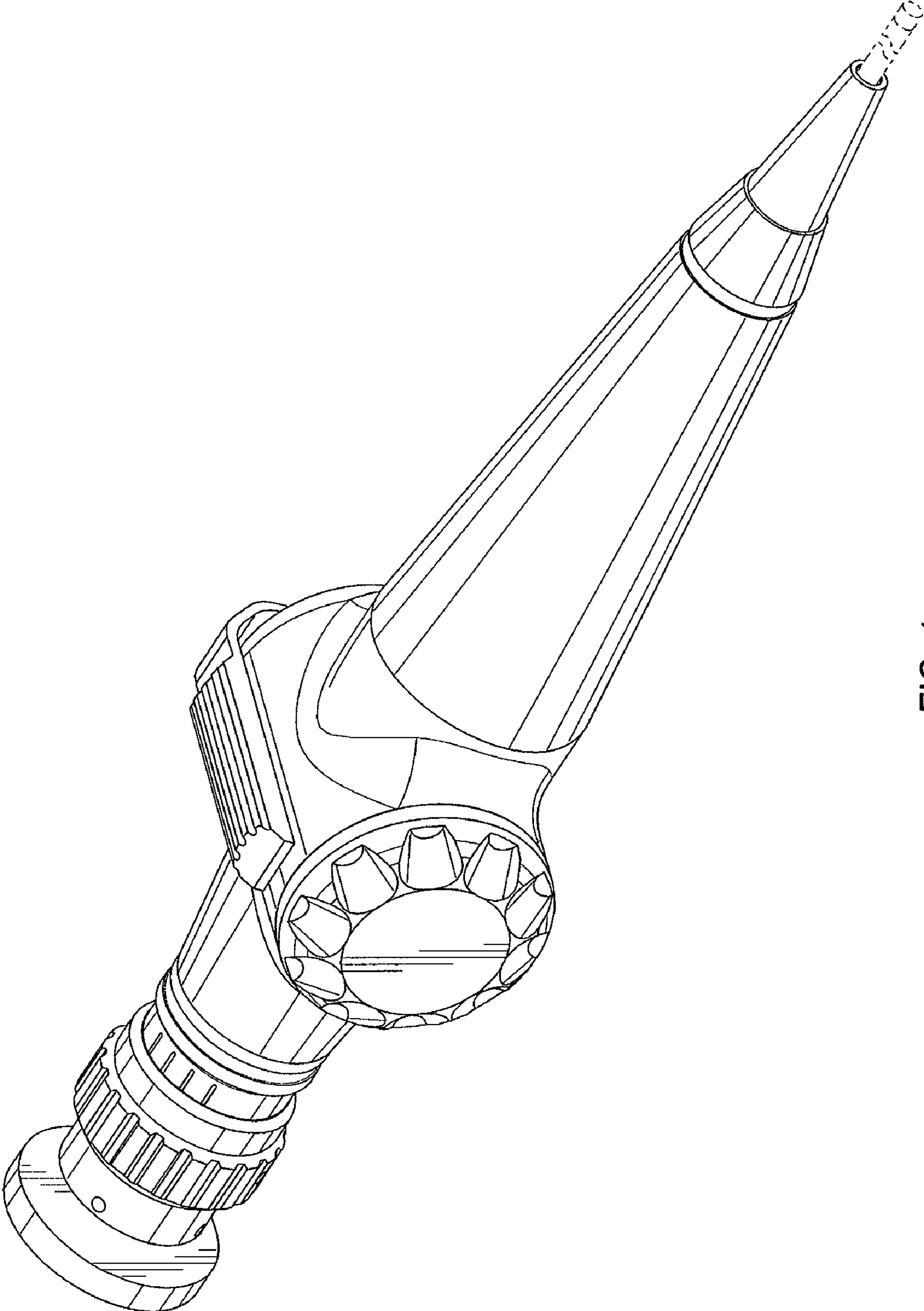


FIG. 1

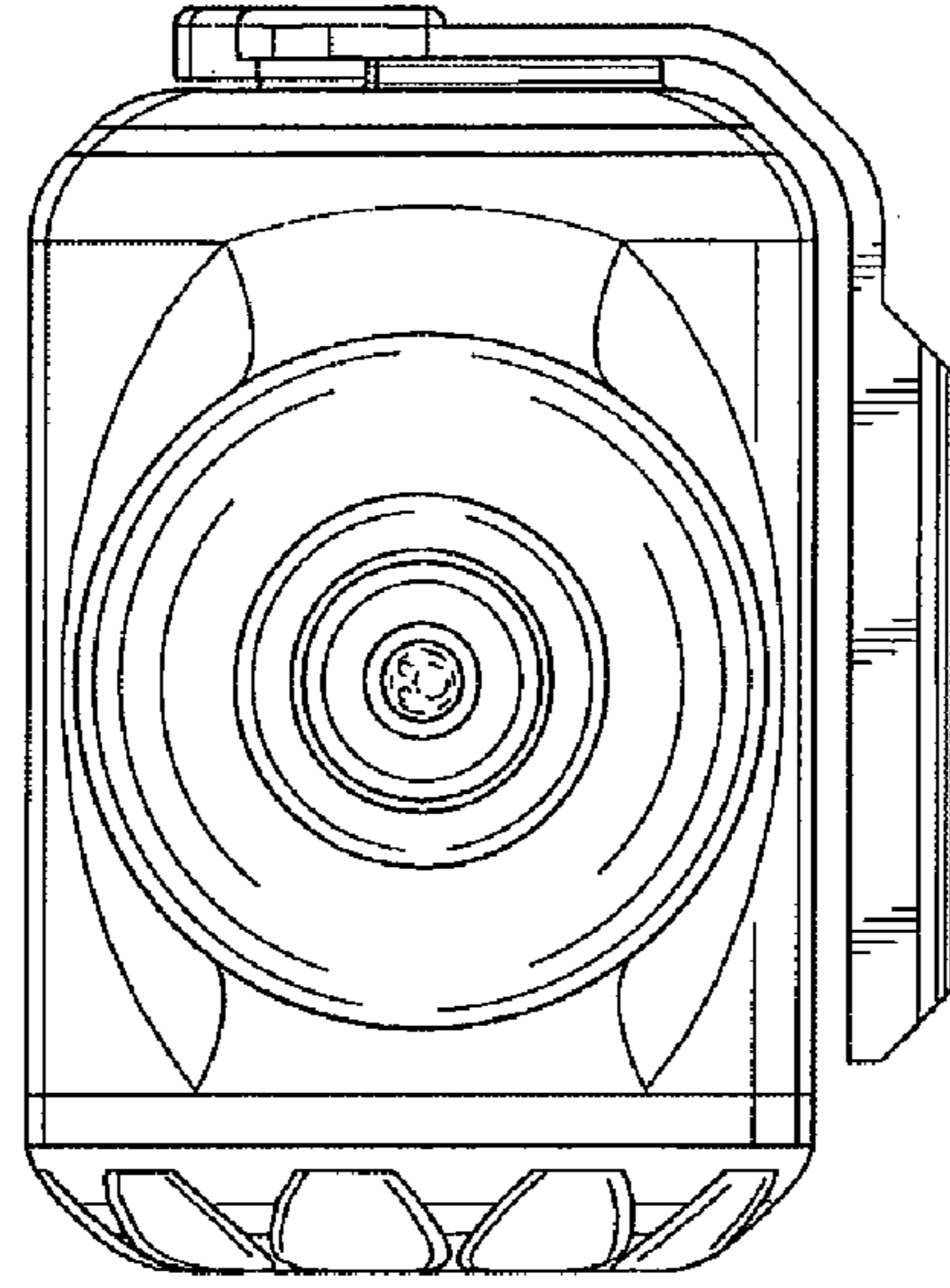


FIG. 3

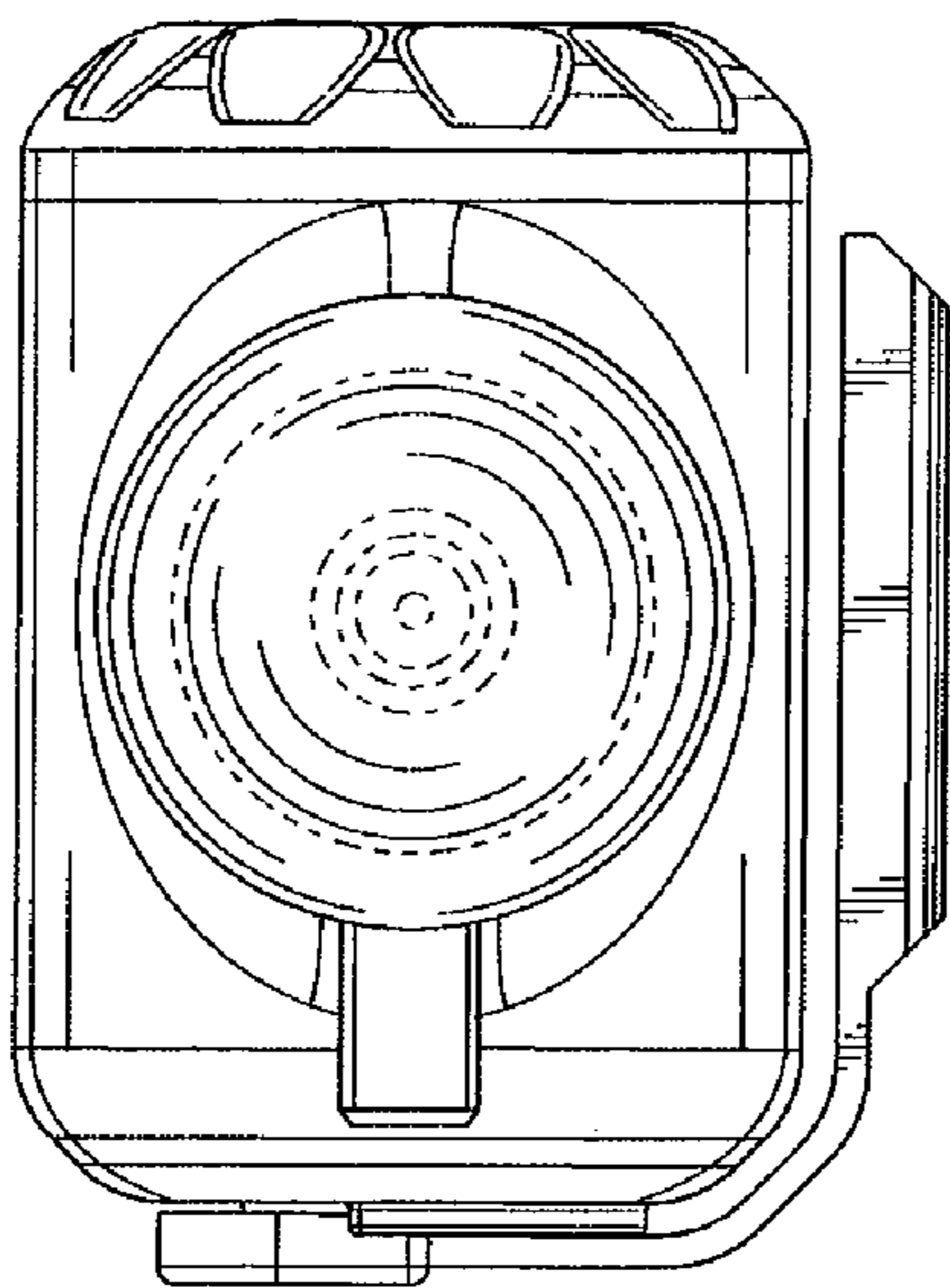


FIG. 2

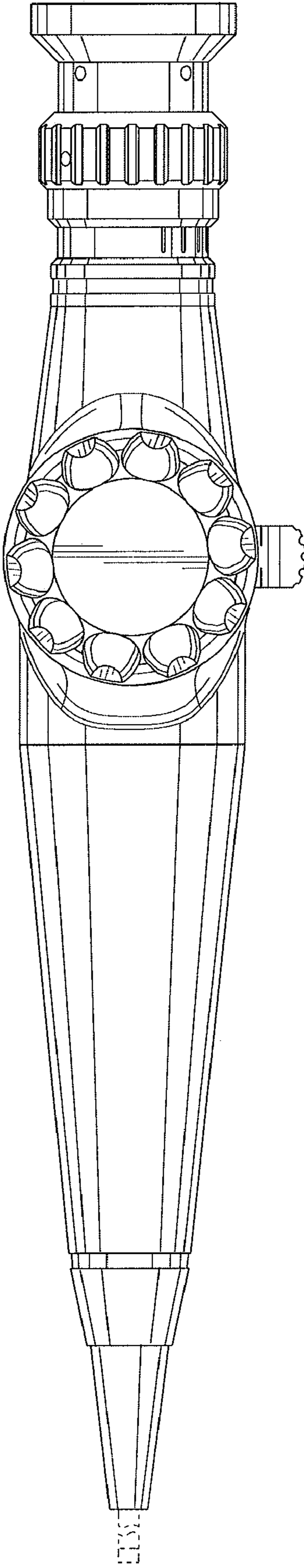


FIG. 4



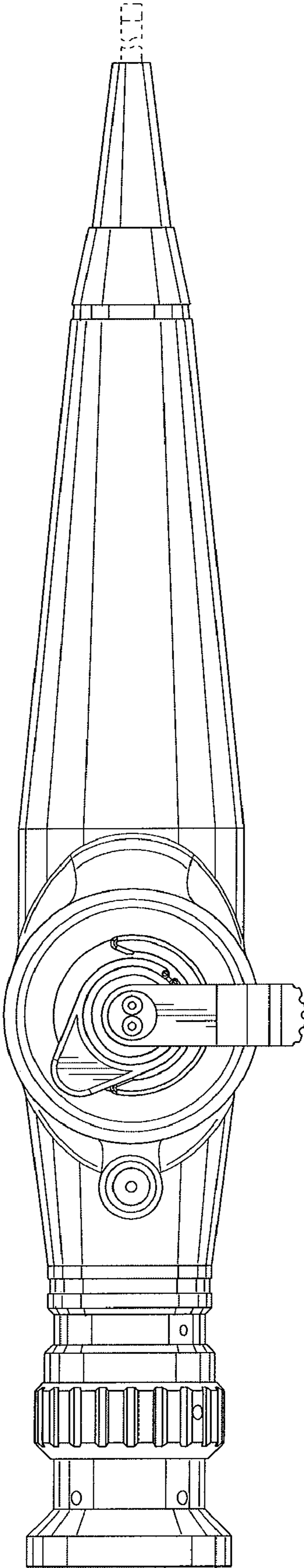


FIG. 5

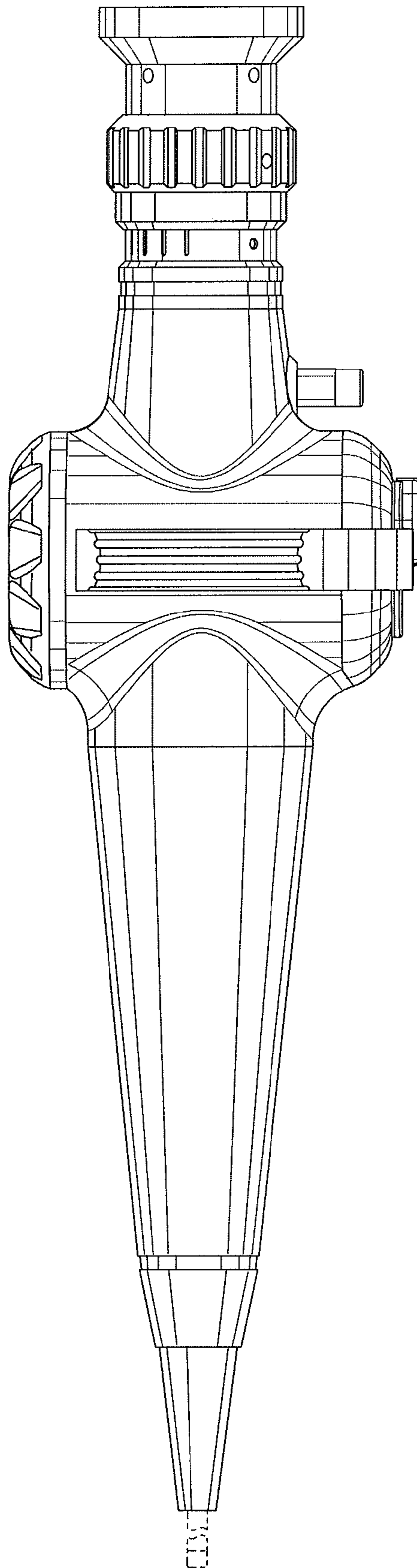


FIG. 6

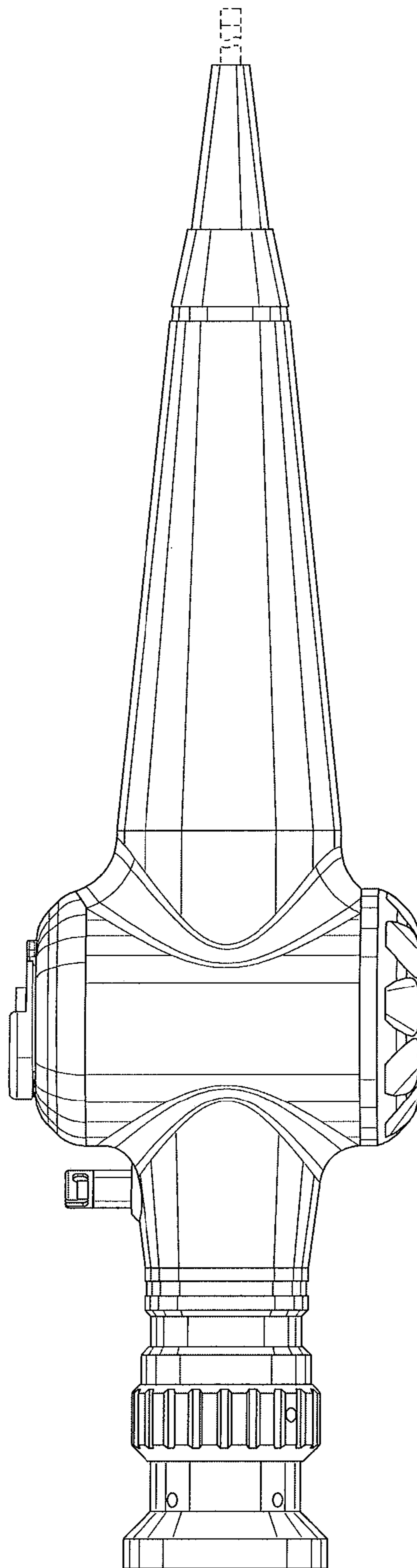


FIG. 7