



US00D581042S

(12) **United States Design Patent**
Randolph et al.

(10) **Patent No.:** **US D581,042 S**

(45) **Date of Patent:** **** Nov. 18, 2008**

(54) **REDUCED PRESSURE TREATMENT SYSTEM**

(75) Inventors: **Larry Tab Randolph**, San Antonio, TX (US); **Shannon C. Ingram**, Bulverde, TX (US); **Carl Joseph Santora**, Helotes, TX (US)

(73) Assignee: **KCI Licensing, Inc.**, San Antonio, TX (US)

(**) Term: **14 Years**

(21) Appl. No.: **29/286,576**

(22) Filed: **May 11, 2007**

(51) **LOC (8) Cl.** **24-02**

(52) **U.S. Cl.** **D24/111**

(58) **Field of Classification Search** D24/108,
D24/133, 169, 145-147, 186, 111, 121; 604/313,
604/317, 327, 543, 540, 151-155, 131, 74,
604/290

See application file for complete search history.

(56) **References Cited**

U.S. PATENT DOCUMENTS

D353,667 S * 12/1994 Tsubota et al. D24/111
D374,931 S * 10/1996 Cesaroni et al. D24/169
D469,176 S * 1/2003 Hall et al. D24/111

6,755,807 B2 * 6/2004 Risk et al. 604/319
D516,210 S * 2/2006 Studenec D24/108
D556,910 S * 12/2007 Reihanifam et al. D24/169
D565,177 S * 3/2008 Locke et al. D24/111
2004/0006319 A1 * 1/2004 Lina et al. 604/304
2008/0071216 A1 * 3/2008 Locke et al. 604/119

* cited by examiner

Primary Examiner—Ian Simmons
Assistant Examiner—Wan Laymon

(57) **CLAIM**

The ornamental design for a reduced pressure treatment system, as shown and described.

DESCRIPTION

FIG. 1 is a front perspective view of a reduced pressure treatment system showing our new design;

FIG. 2 is a front view thereof;

FIG. 3 is a right side view thereof;

FIG. 4 is a left side view thereof;

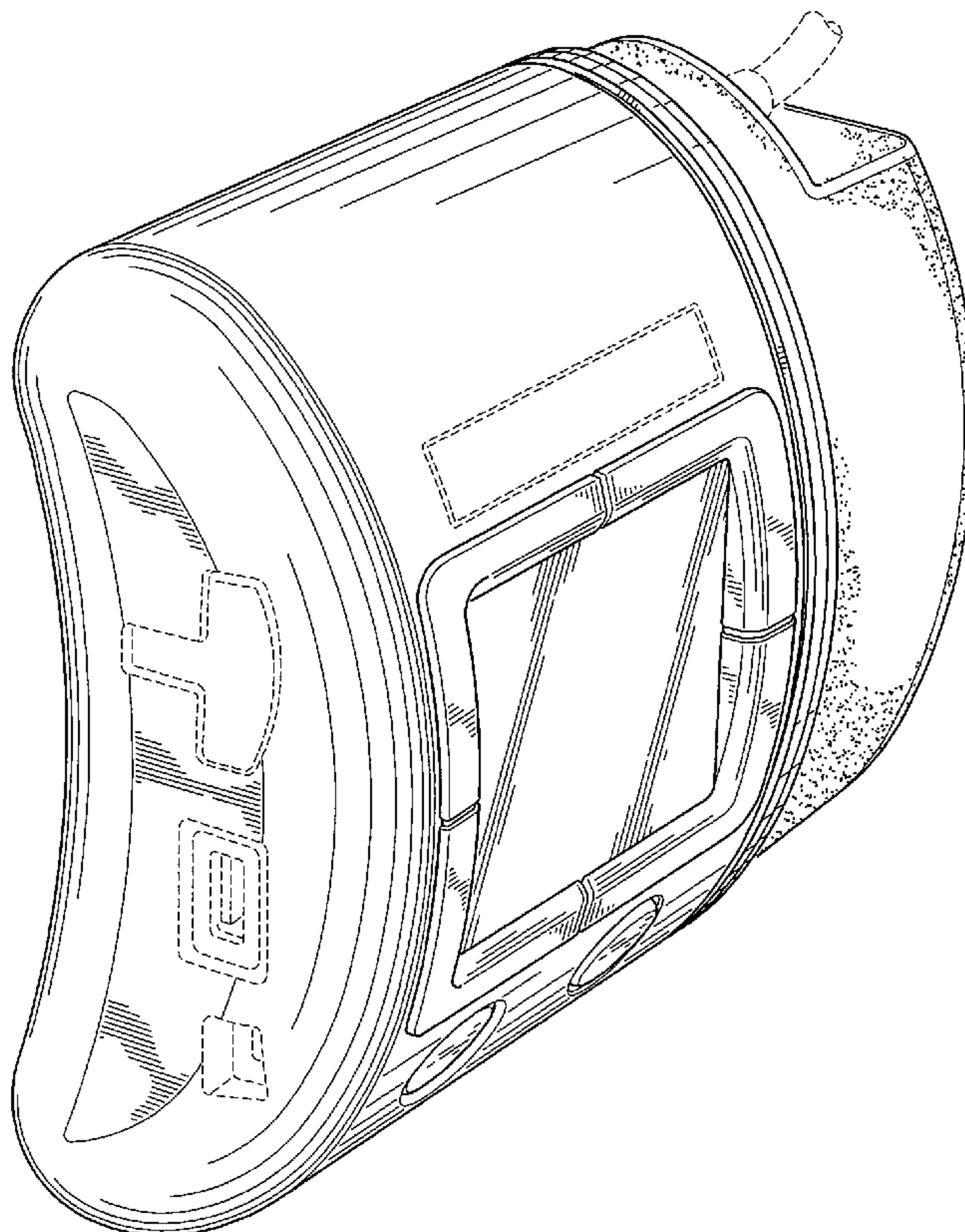
FIG. 5 is a rear view thereof;

FIG. 6 is a top view thereof; and,

FIG. 7 is a bottom view thereof.

The broken lines illustrated in the drawings are for illustrative purposes only and form no part of the claimed design.

1 Claim, 5 Drawing Sheets



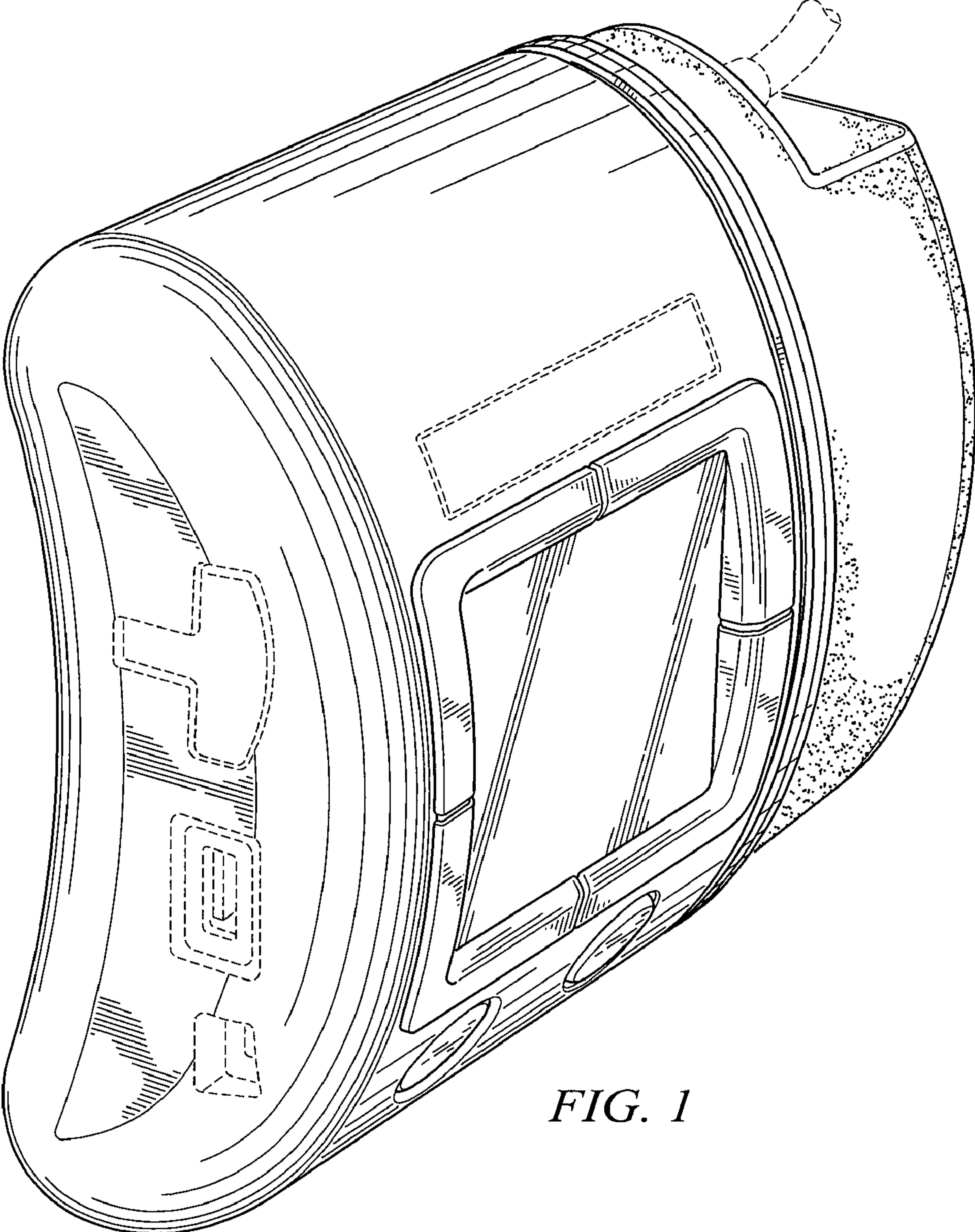


FIG. 1

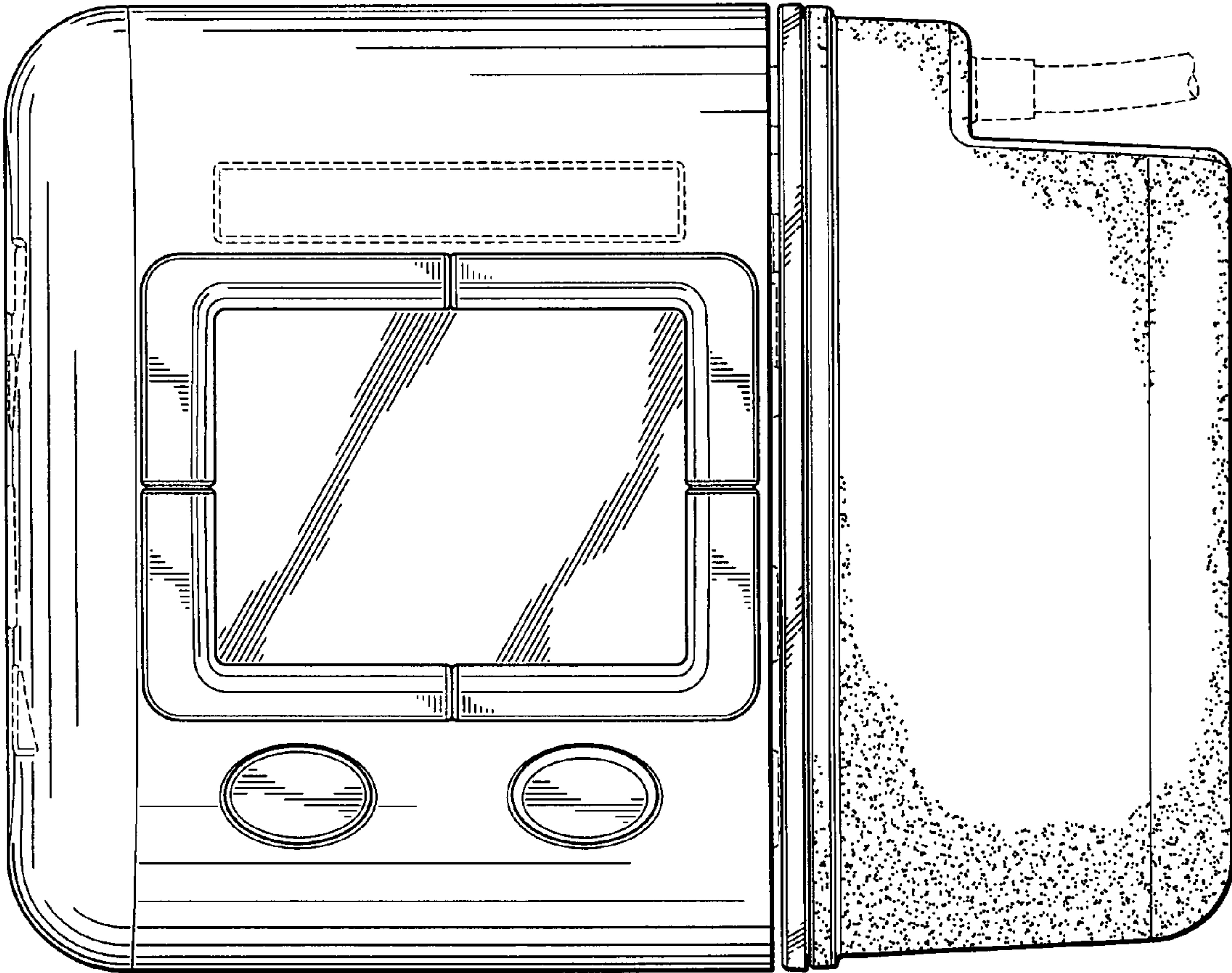


FIG. 2

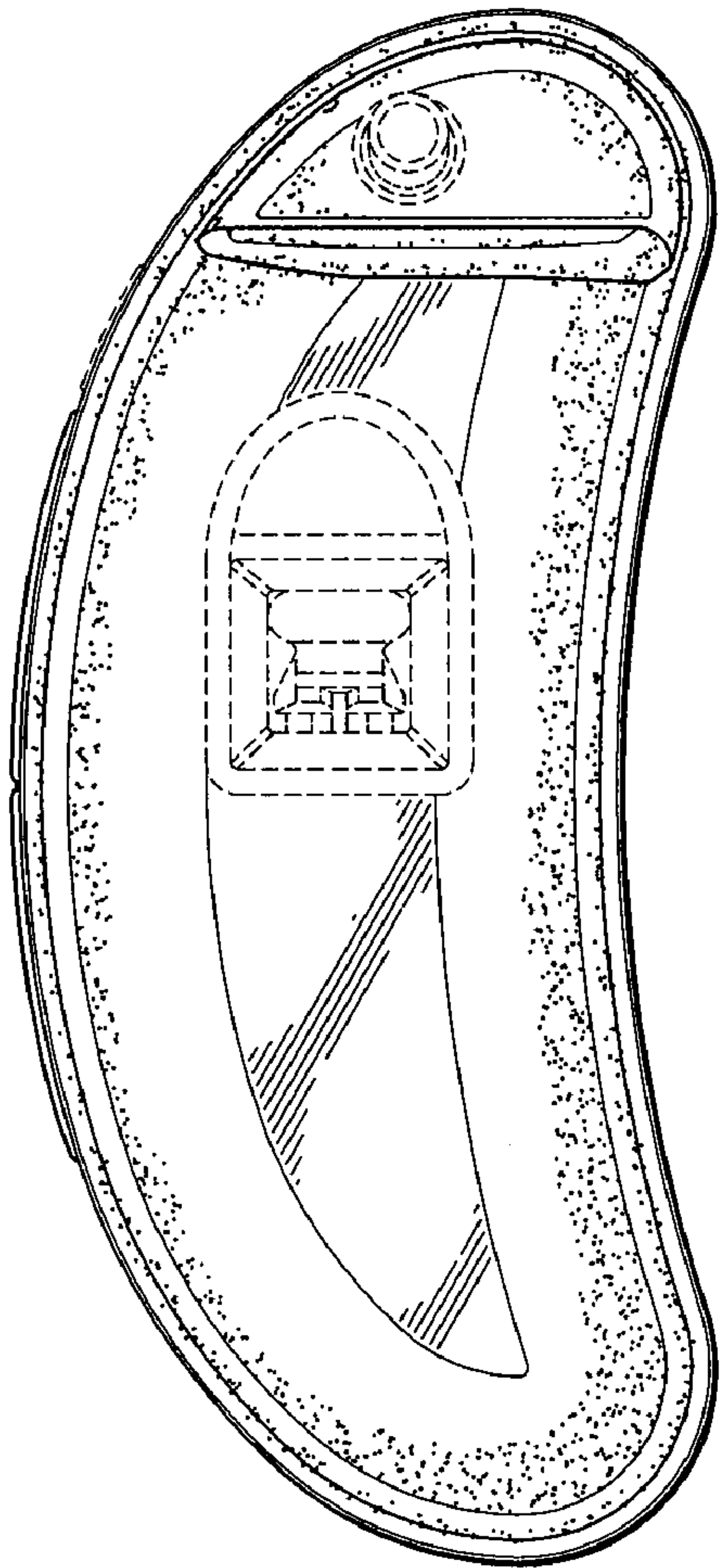


FIG. 3

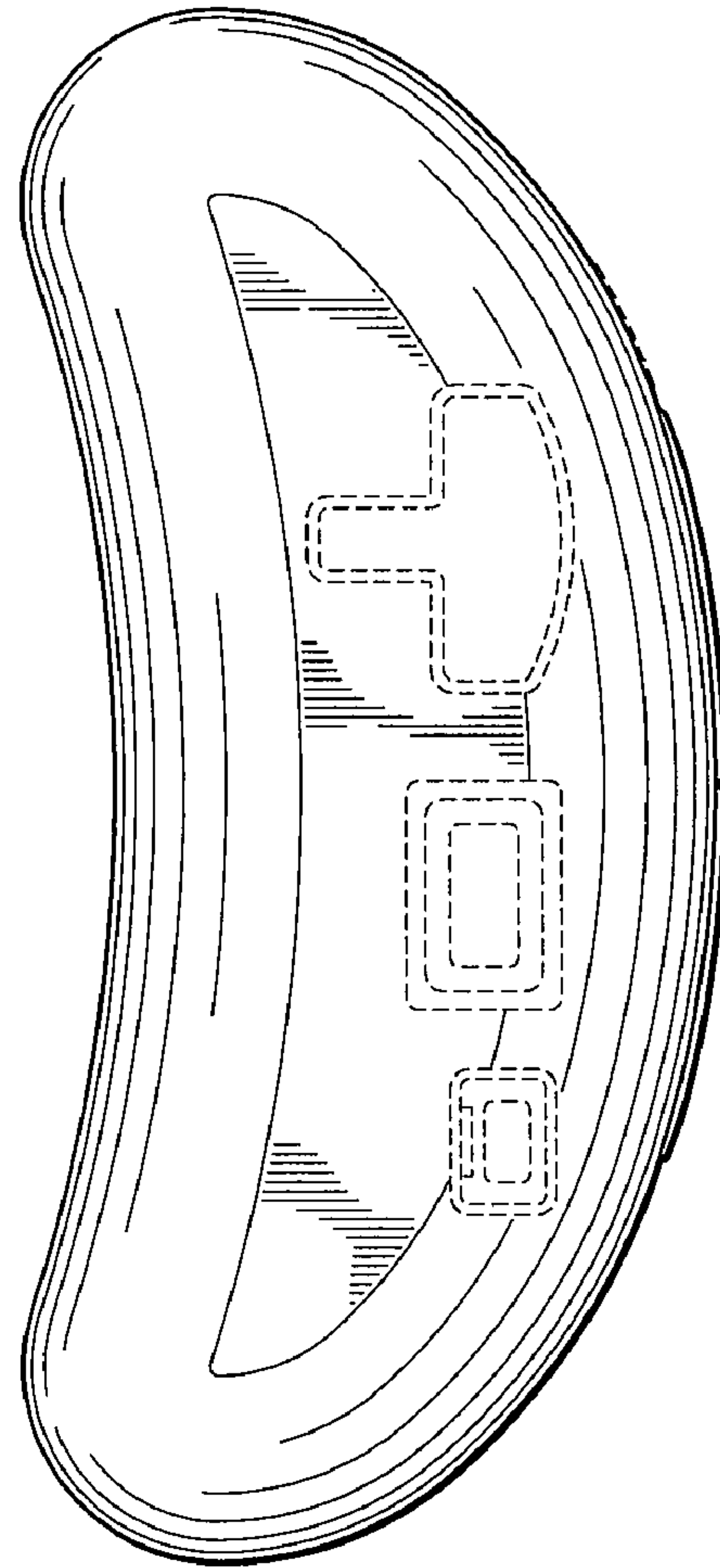


FIG. 4

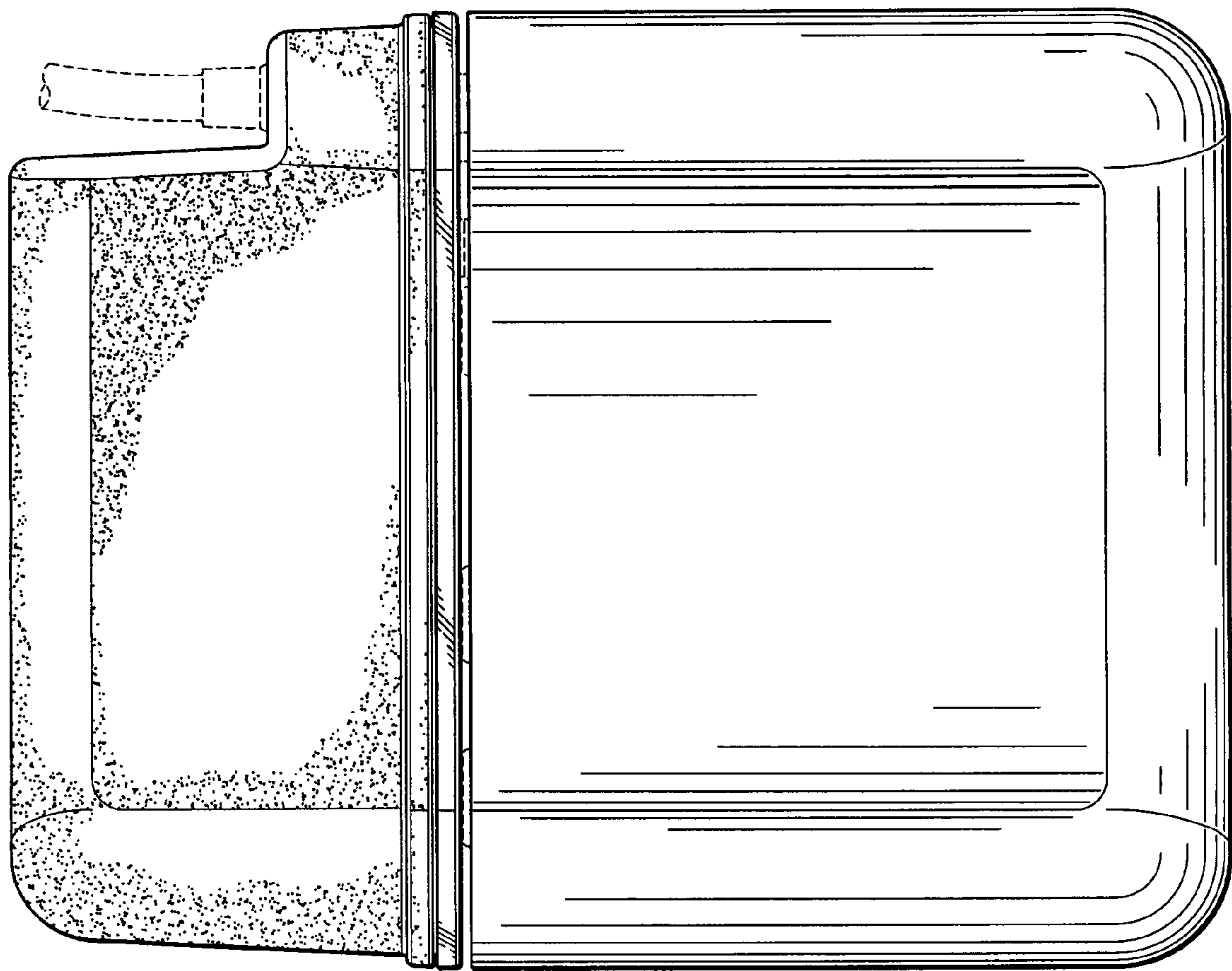


FIG. 5

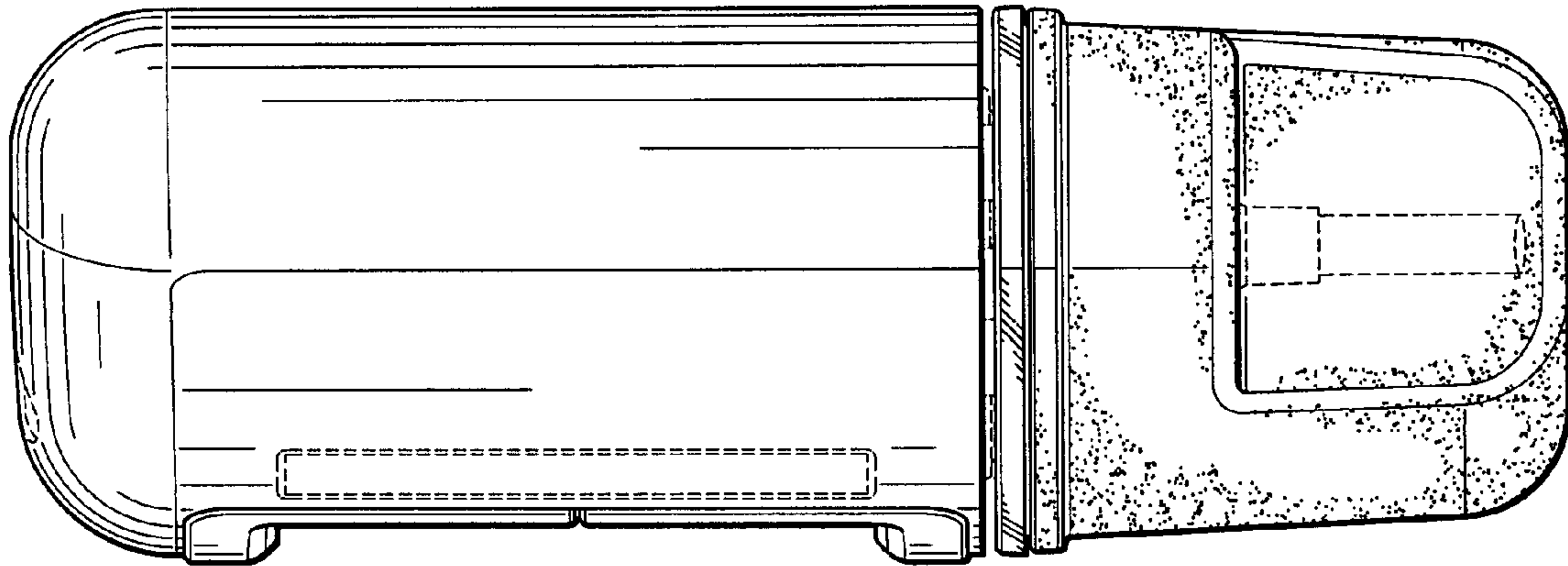


FIG. 6

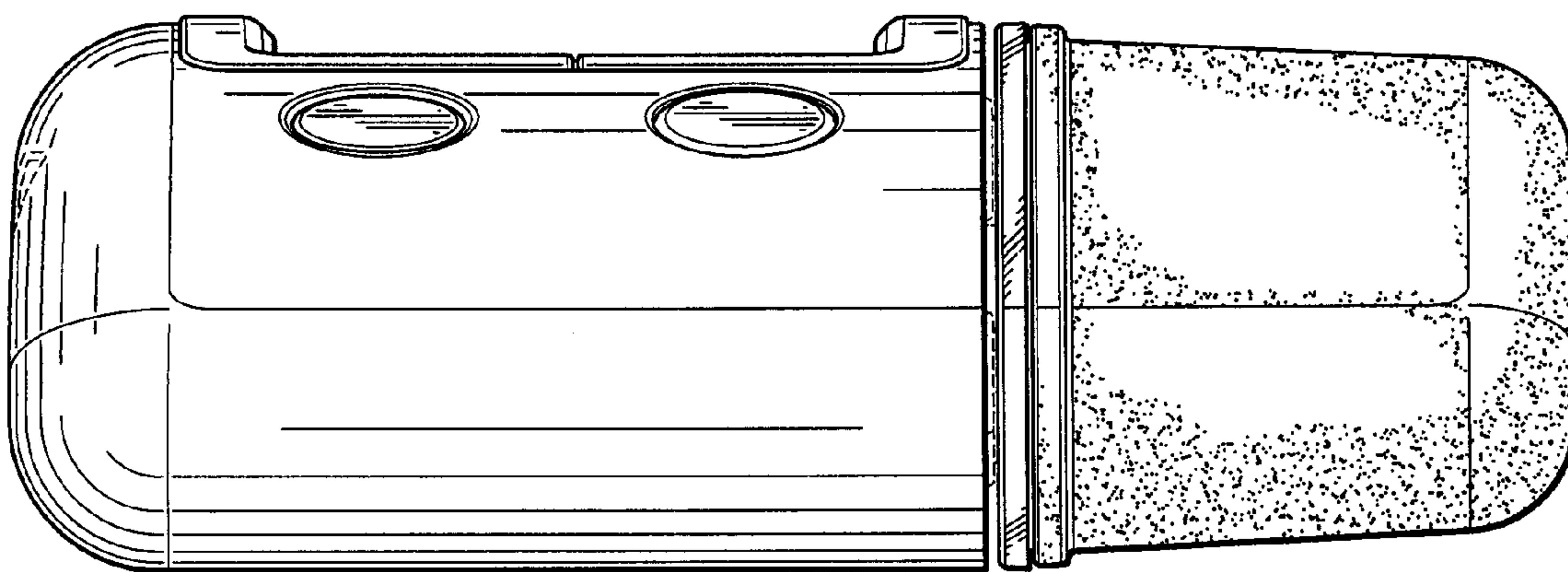


FIG. 7