



US00D581037S

(12) **United States Design Patent**
Dyson et al.

(10) **Patent No.:** **US D581,037 S**
(45) **Date of Patent:** **** Nov. 18, 2008**

(54) **FAN**

6,817,830 B1 11/2004 Chen
D508,120 S * 8/2005 Chen D23/377
D567,350 S * 4/2008 Hidalgo et al. D23/377

(75) Inventors: **James Dyson**, Gloucestershire (GB);
Alexander Stuart Knox, Malmesbury
(GB)

* cited by examiner

(73) Assignee: **Dyson Limited**, Wiltshire (GB)

Primary Examiner—Lisa P Lichtenstein
(74) *Attorney, Agent, or Firm*—Morrison & Foerster LLP

(**) Term: **14 Years**

(57) **CLAIM**

(21) Appl. No.: **29/304,922**

We claim the ornamental design for a fan, as shown and described.

(22) Filed: **Mar. 10, 2008**

(30) **Foreign Application Priority Data**

DESCRIPTION

Nov. 6, 2007 (GB) 4005179

FIG. 1 is a perspective view of a fan showing our new design;

(51) **LOC (8) Cl.** **23-04**

FIG. 2 is a top view thereof;

(52) **U.S. Cl.** **D23/377**

FIG. 3 is a bottom view thereof;

(58) **Field of Classification Search** D23/377,
D23/379, 385, 411, 413; 416/5

FIG. 4 is a side view thereof;

See application file for complete search history.

FIG. 5 is a side view of a portion of the design of FIG. 1;

FIG. 6 is an alternate perspective view of a fan showing our new design; and,

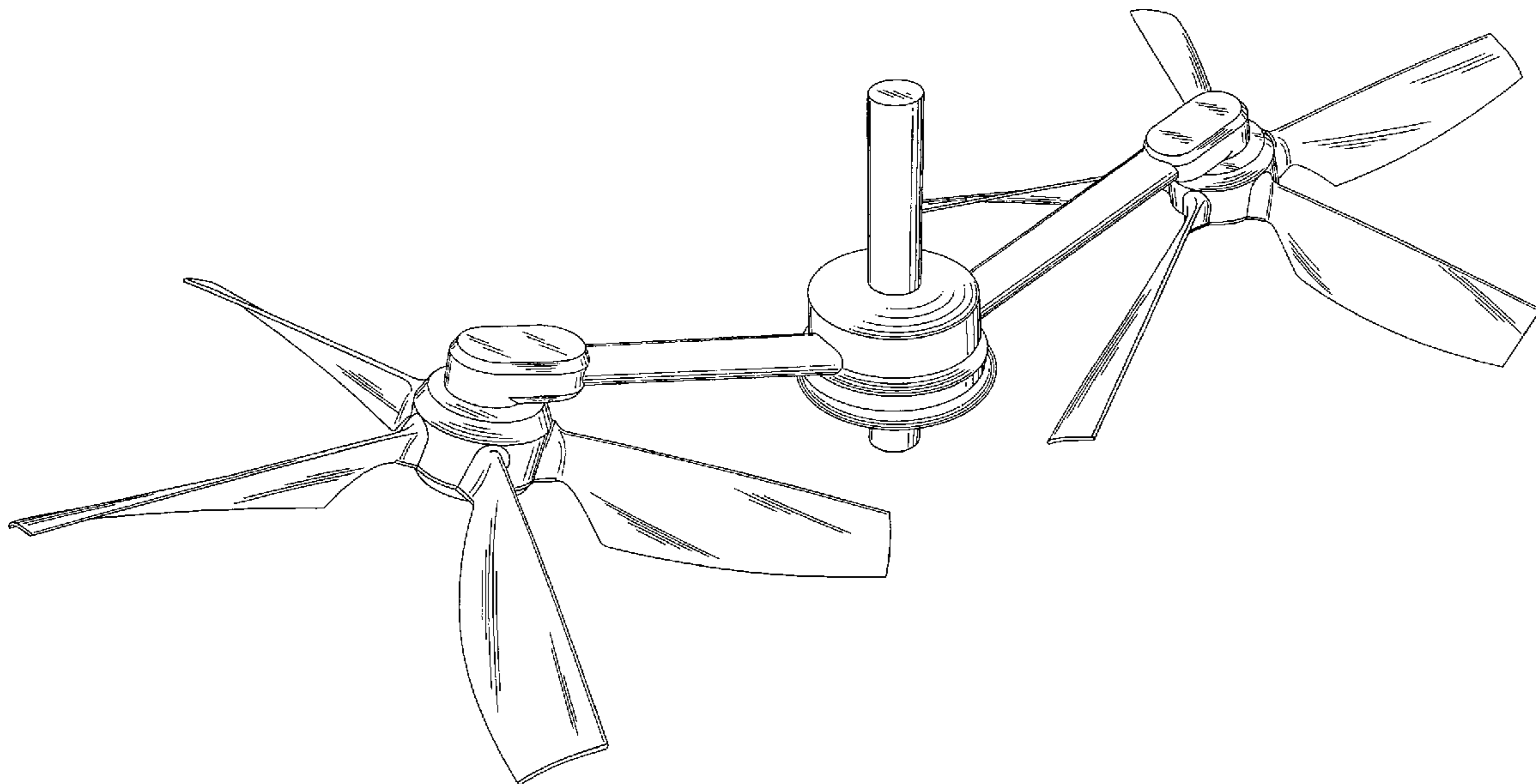
(56) **References Cited**

FIG. 7 is a top view of the design of FIG. 6.

U.S. PATENT DOCUMENTS

6,722,859 B1 4/2004 Chen

1 Claim, 7 Drawing Sheets



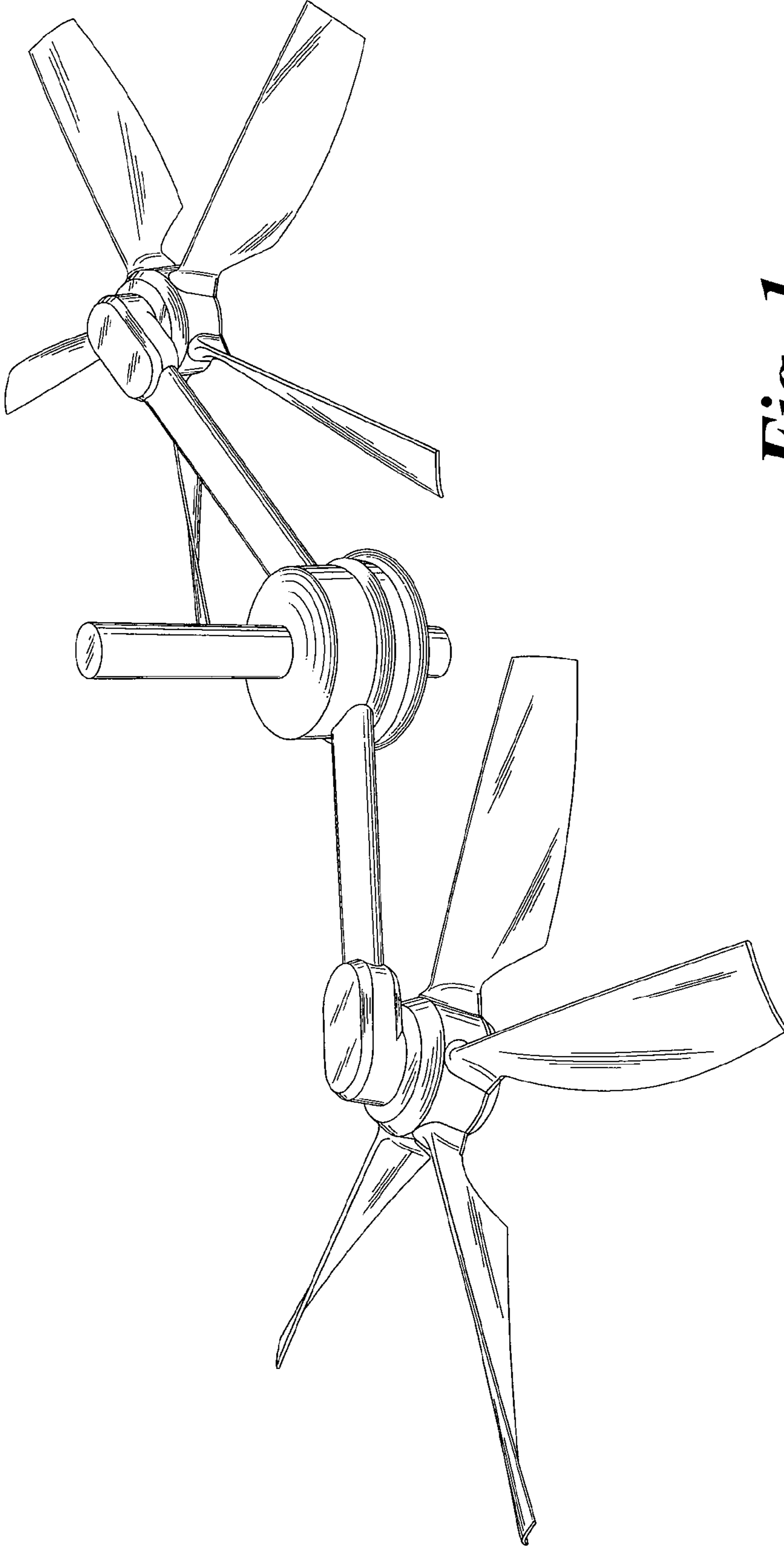


Fig. 1

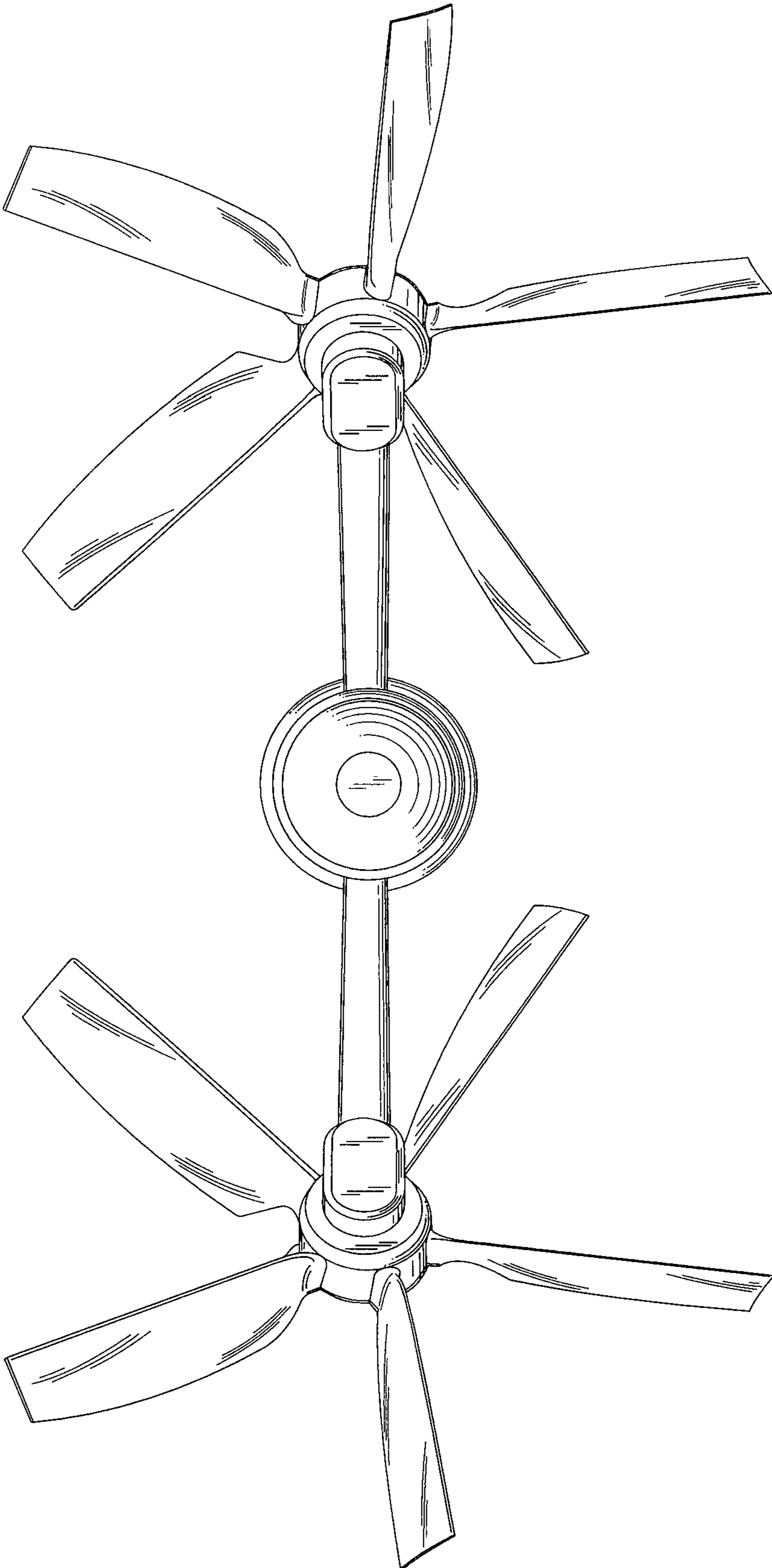


Fig. 2

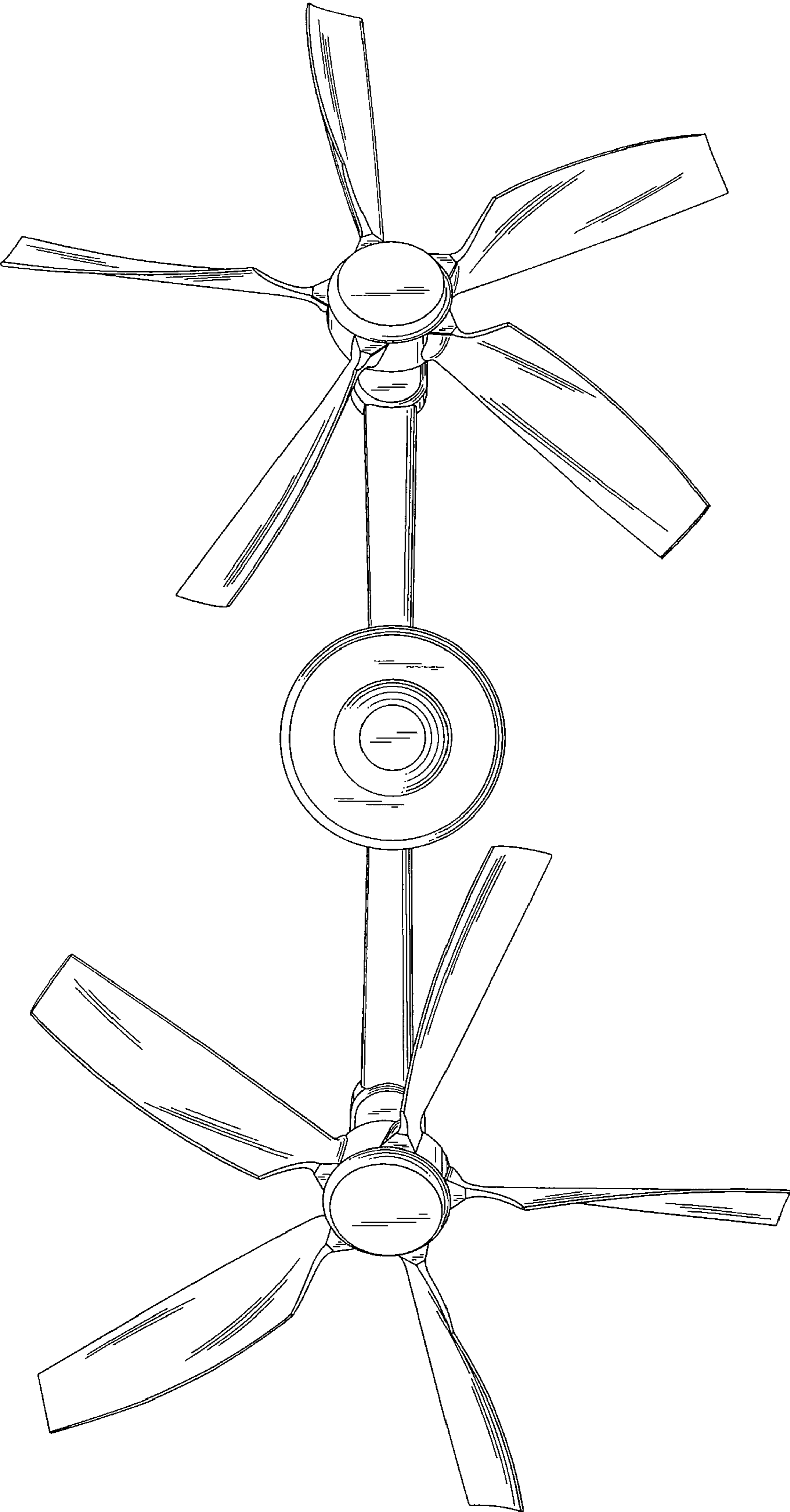


Fig. 3

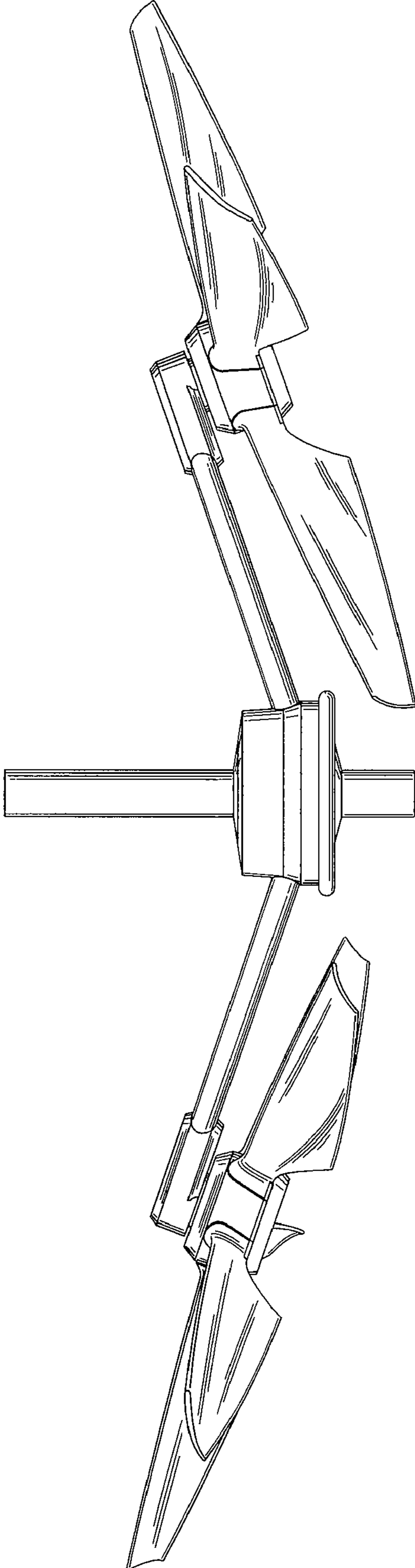


Fig. 4

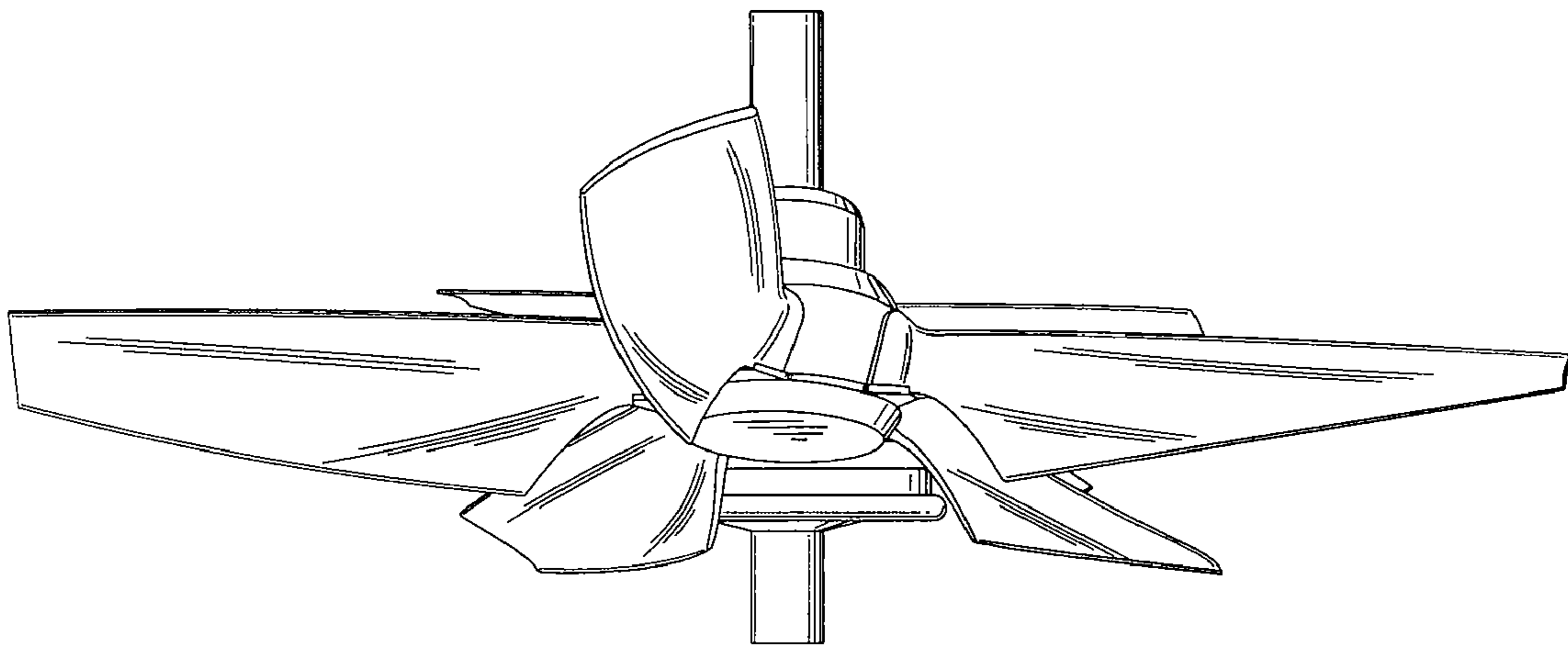


Fig. 5

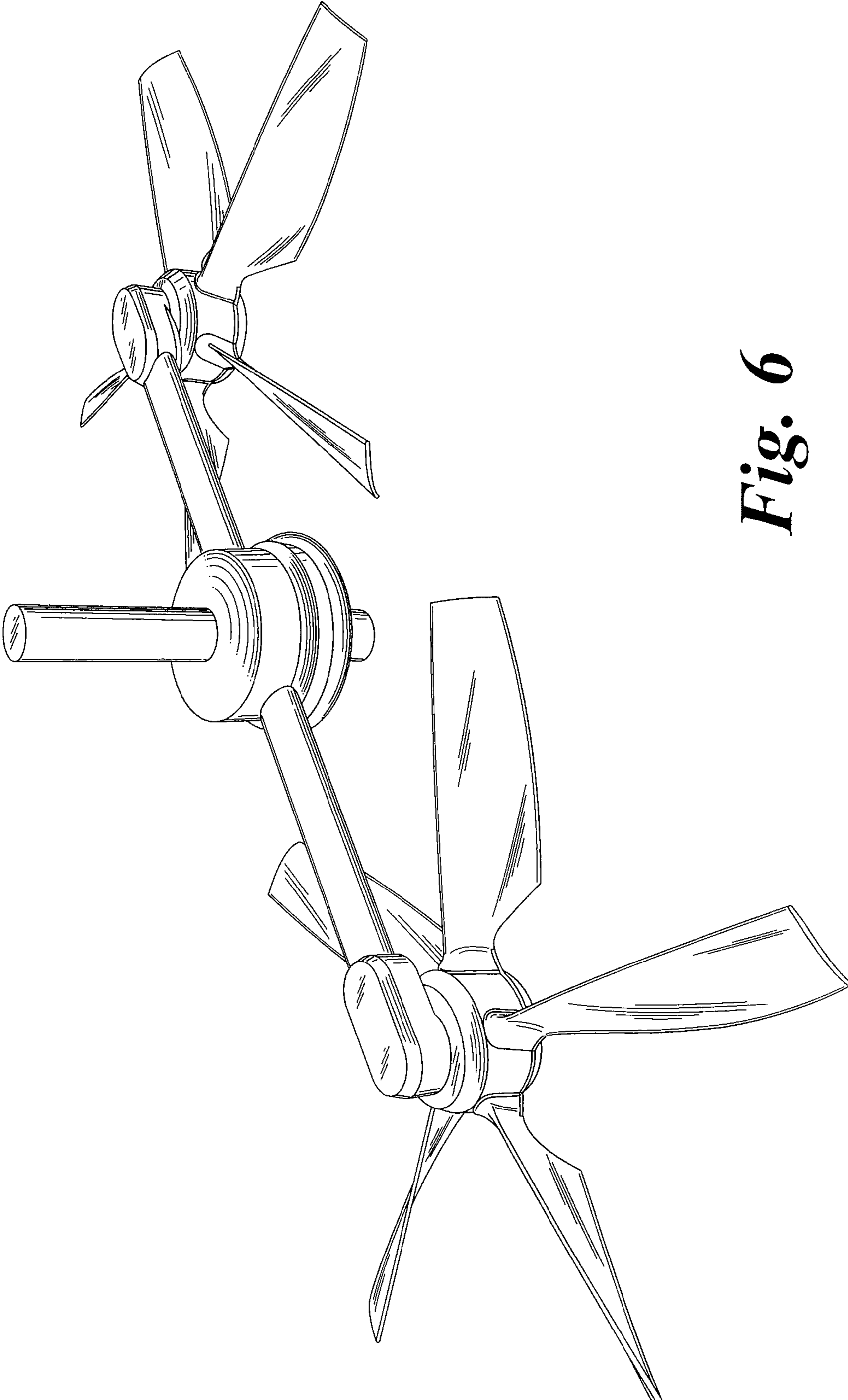


Fig. 6

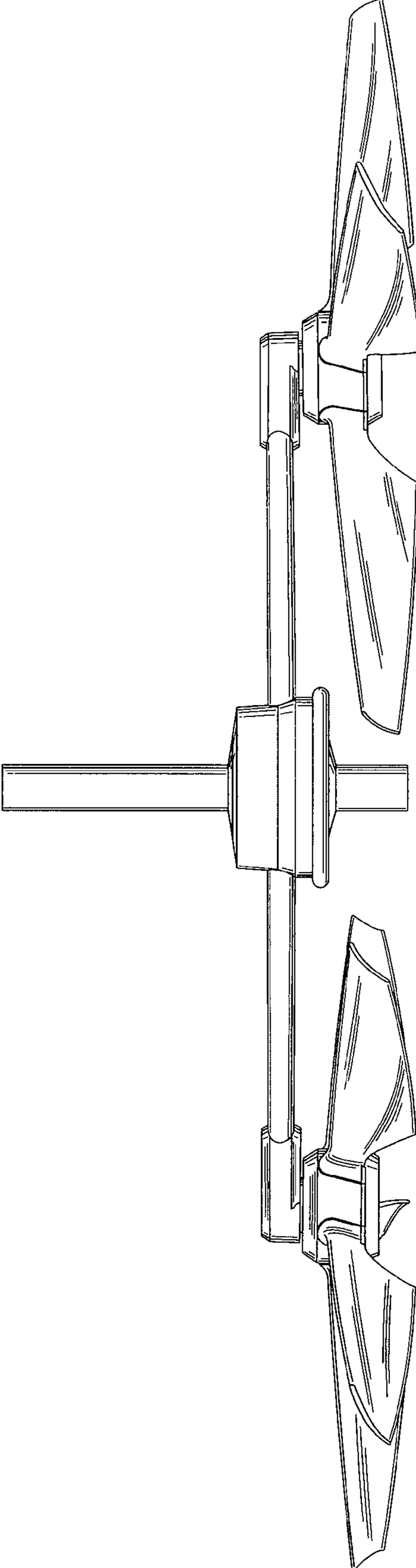


Fig. 7