



US00D581036S

(12) **United States Design Patent**  
**Frazier**

(10) **Patent No.:** **US D581,036 S**

(45) **Date of Patent:** **\*\* Nov. 18, 2008**

(54) **CAR FRESHENER**

2008/0099576 A1\* 5/2008 Hart ..... 239/53

(76) Inventor: **Rosetta G. Frazier**, 2249 NW. 82nd Ave., Sunrise, FL (US) 33322

\* cited by examiner

*Primary Examiner*—Sandra Snapp

(\*\*) Term: **14 Years**

(57) **CLAIM**

(21) Appl. No.: **29/307,069**

The ornamental design for a car freshener, as shown and described.

(22) Filed: **Mar. 31, 2008**

**DESCRIPTION**

(51) **LOC (8) Cl.** ..... **28-99**

(52) **U.S. Cl.** ..... **D23/366**

(58) **Field of Classification Search** ..... D23/355-396;  
261/DIG. 17, DIG. 43, DIG. 65, DIG. 88,  
261/DIG. 89; 239/34, 35, 53, 56, 57, 60,  
239/136, 326; 392/386, 394, 395; D28/5,  
D28/6

FIG. 1 is a perspective view of a car freshener showing my new design;

FIG. 2 is a front elevational view thereof;

FIG. 3 is a rear elevational view thereof;

FIG. 4 is a left side elevational thereof;

FIG. 5 is a life side elevational view thereof;

FIG. 6 is a perspective view of front side thereof; and,

FIG. 7 is a perspective view of the rear side.

See application file for complete search history.

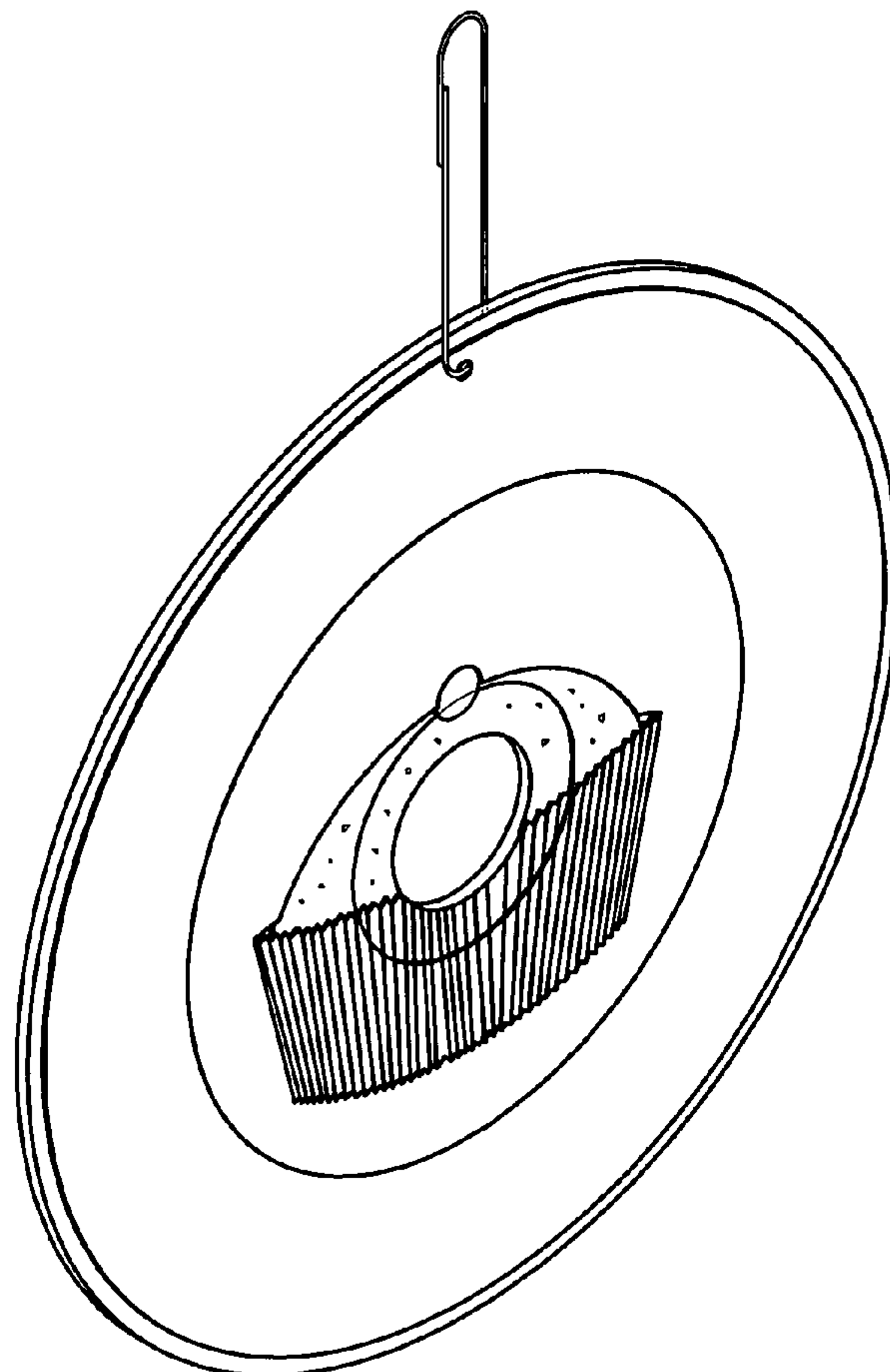
The indicia or broken lines shown on the figures are for illustrative purposes only and are hereby disclaimed as forming no part of Applicant's claimed invention.

(56) **References Cited**

**U.S. PATENT DOCUMENTS**

D492,067 S \* 6/2004 Garcia et al. .... D28/91.1  
2003/0015605 A1\* 1/2003 Garcia et al. .... 239/327

**1 Claim, 3 Drawing Sheets**



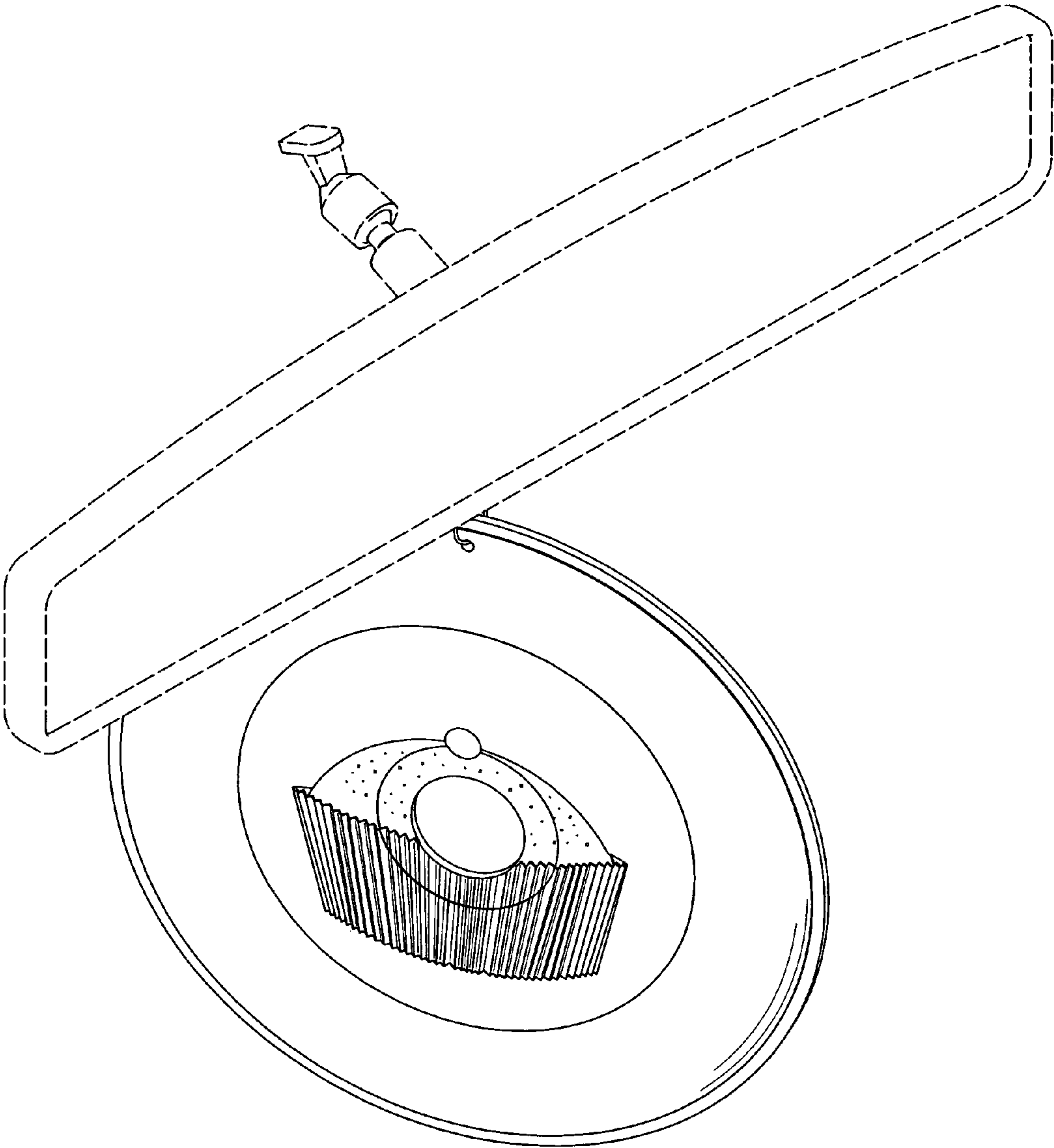


FIG. 1

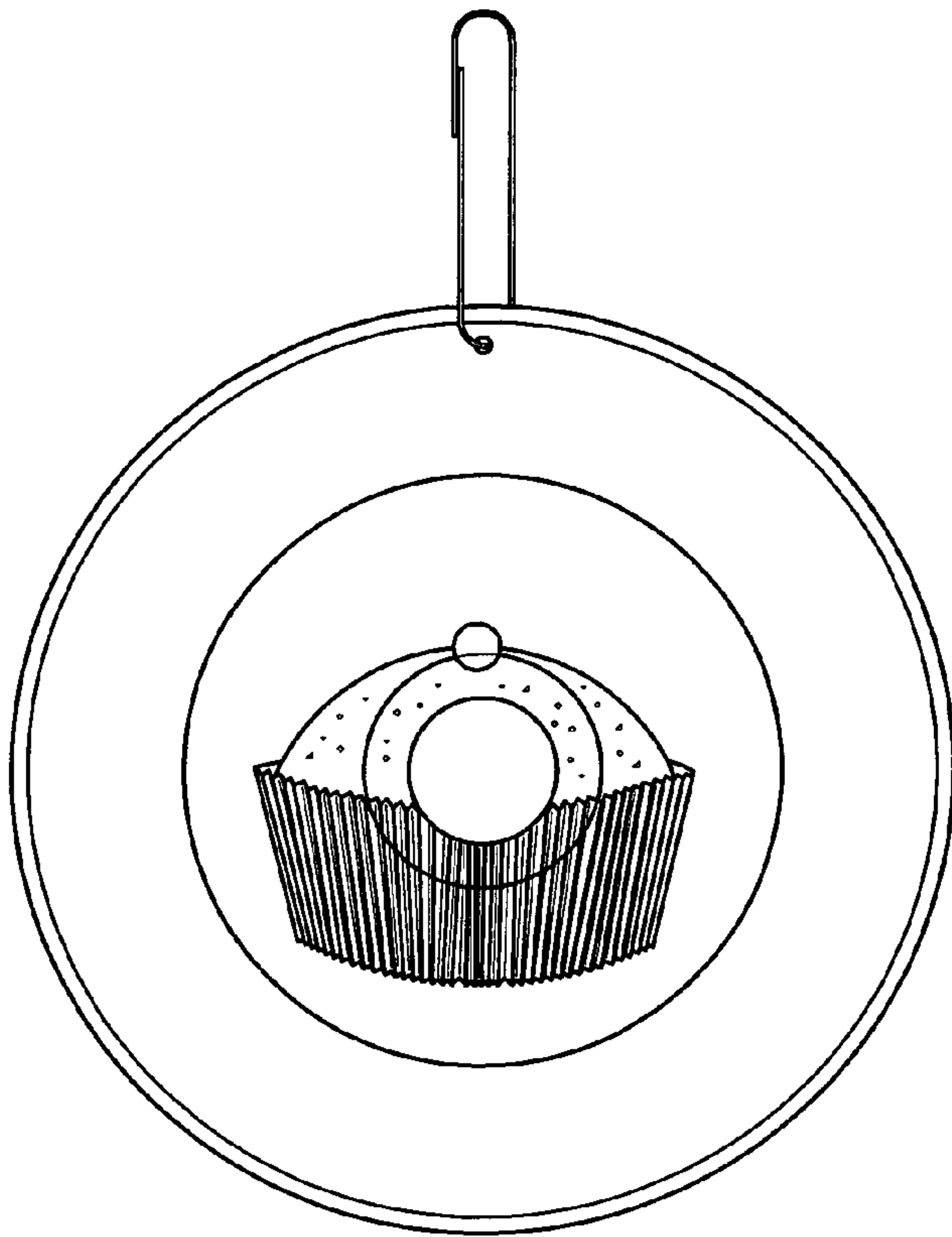


FIG. 2



FIG. 3

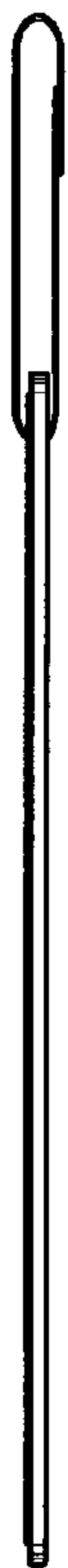


FIG. 4

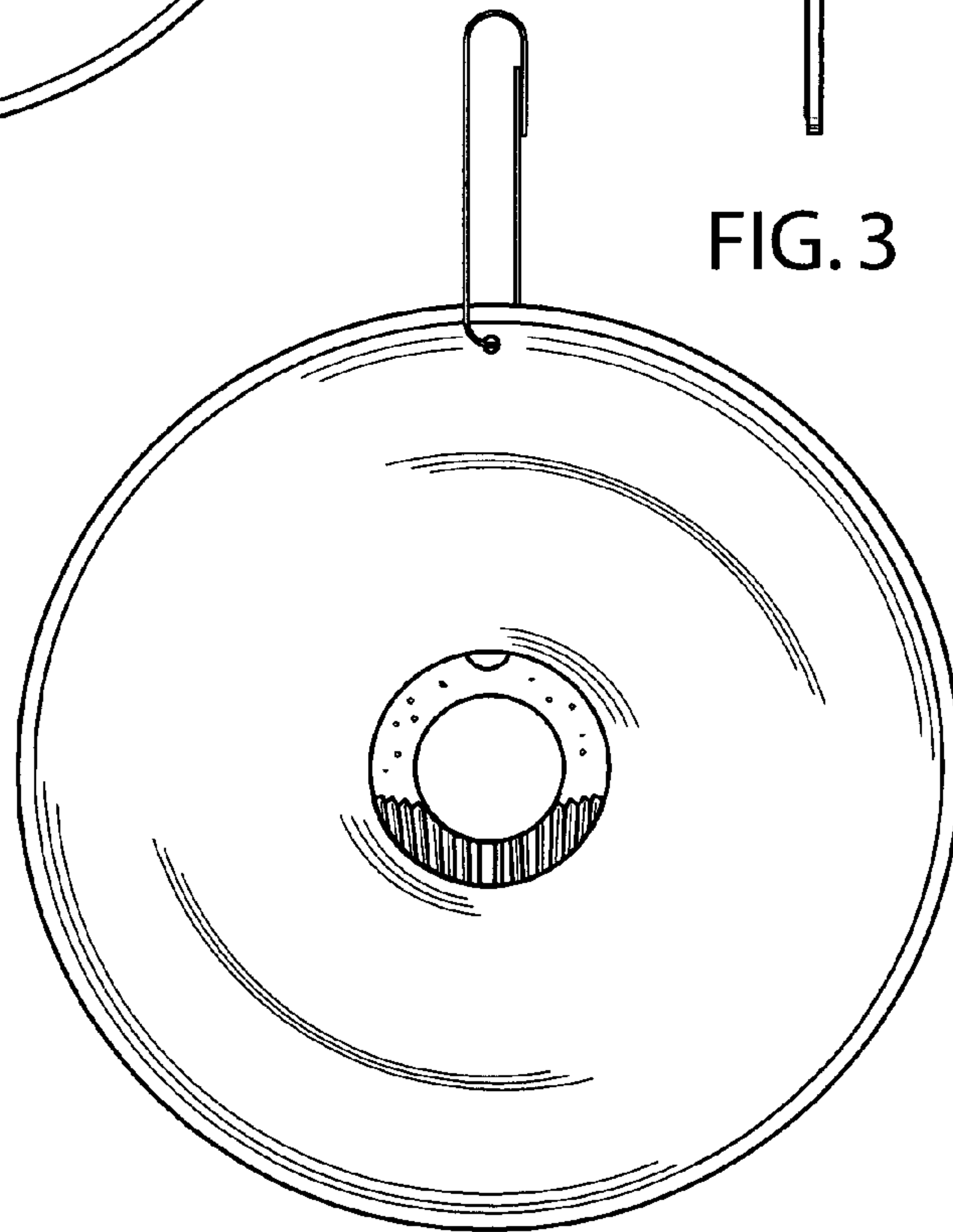


FIG. 5

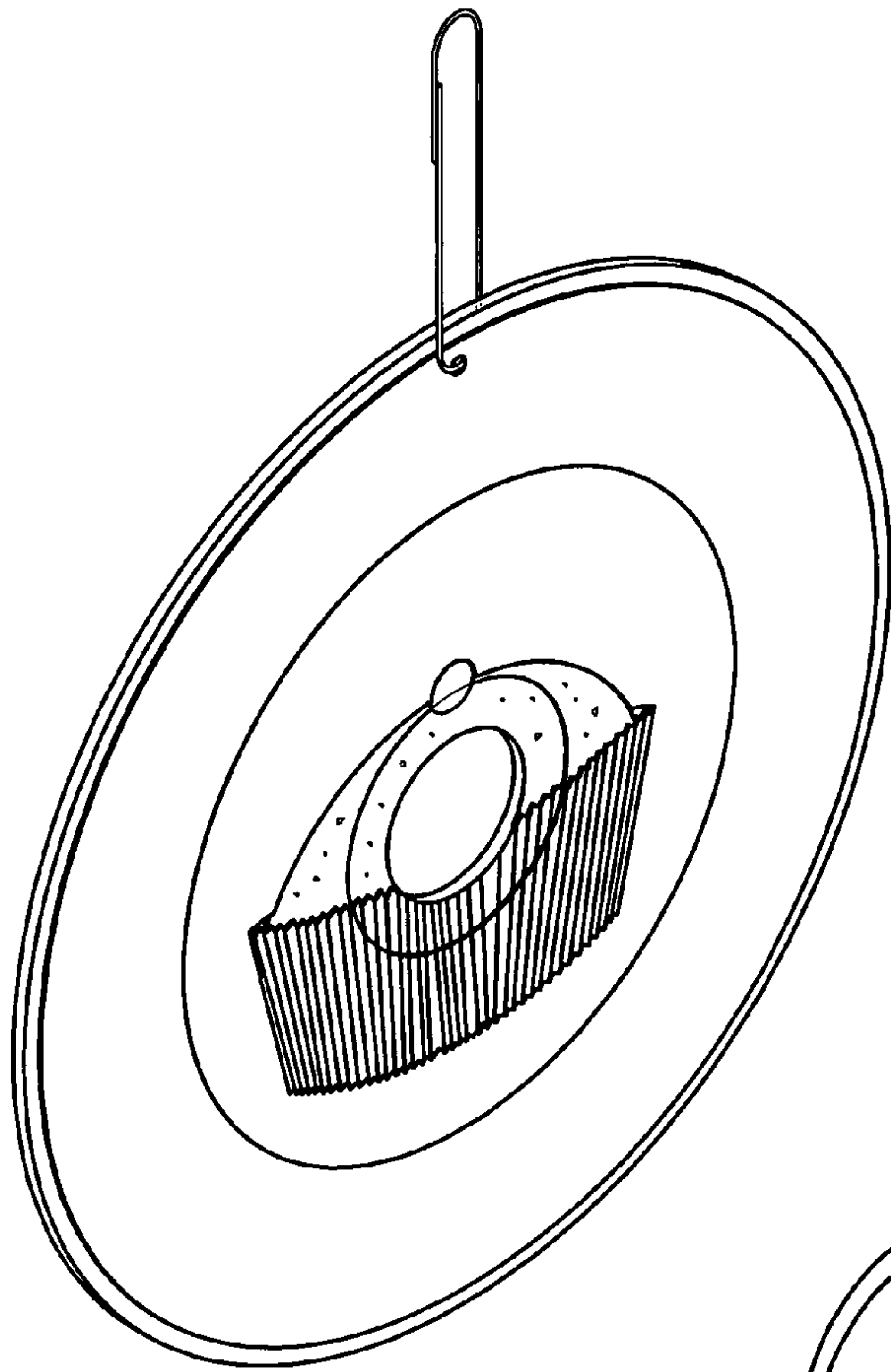


FIG. 6

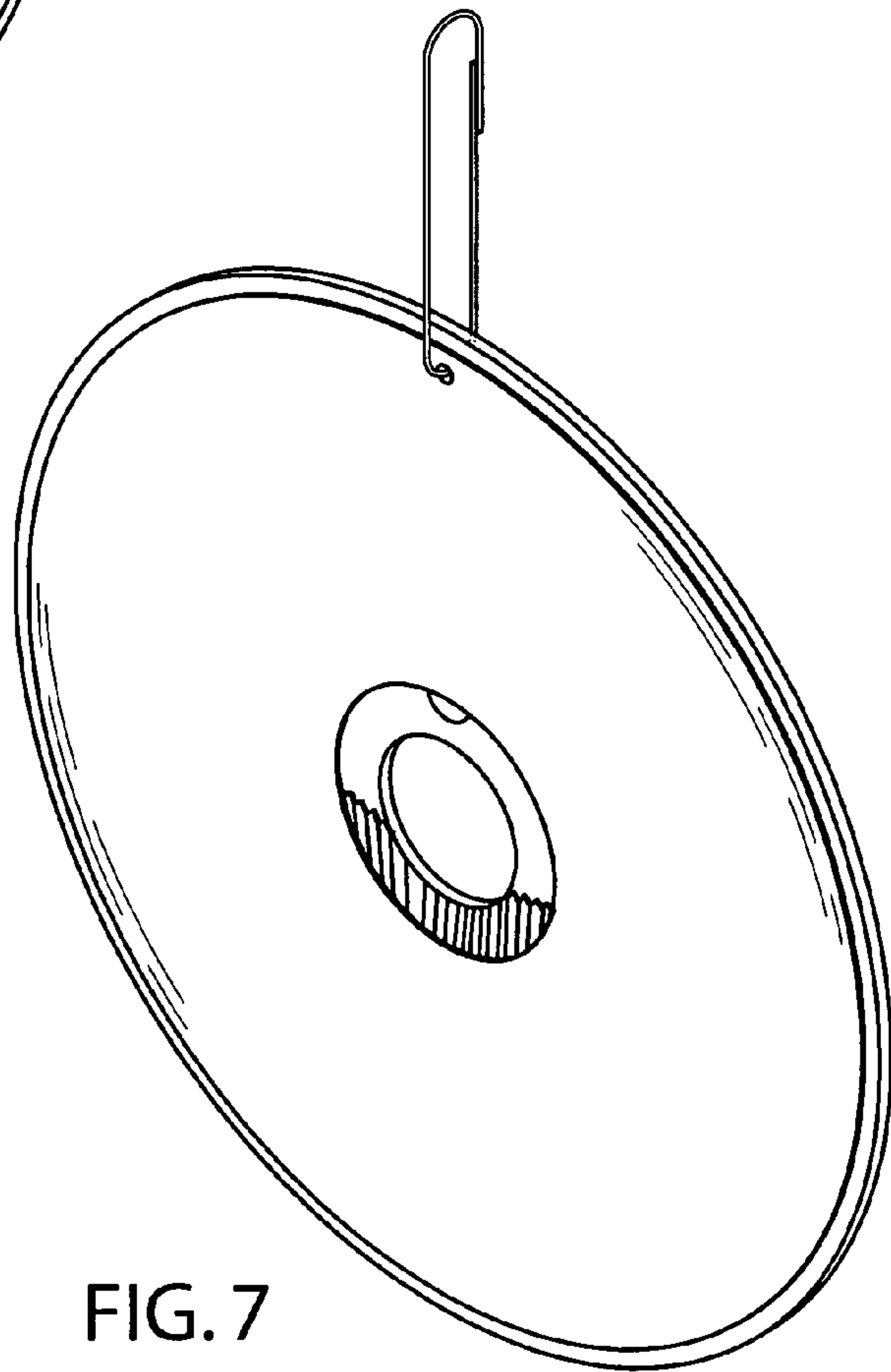


FIG. 7