



US00D581034S

(12) **United States Design Patent**  
**Cho**

(10) **Patent No.:** **US D581,034 S**

(45) **Date of Patent:** **\*\* Nov. 18, 2008**

(54) **TOILET BOWL INCORPORATING BIDEETS**

(75) Inventor: **Geum Hwan Cho**, Seoul (KR)

(73) Assignee: **VovoCorporation Co., Ltd.**, Seoul (KR)

(\*\*) Term: **14 Years**

(21) Appl. No.: **29/302,716**

(22) Filed: **Jan. 23, 2008**

(30) **Foreign Application Priority Data**

Jul. 26, 2007 (KR) ..... 30-2007-0032345

(51) **LOC (8) Cl.** ..... **23-02**

(52) **U.S. Cl.** ..... **D23/295**

(58) **Field of Classification Search** ..... D23/273-274,  
D23/295-299, 303, 309; 4/663-664, 300,  
4/329, 315, 348, 352-353, 420, 443-444  
See application file for complete search history.

(56) **References Cited**

**U.S. PATENT DOCUMENTS**

4,712,256 A \* 12/1987 Stairs, Jr. .... 4/661

D382,946 S \* 8/1997 Kawamura et al. .... D23/295

D494,667 S \* 8/2004 Kergoet ..... D23/295  
6,964,068 B2 \* 11/2005 Shiraki et al. .... 4/420.4

\* cited by examiner

*Primary Examiner*—Robert A Delehanty

(74) *Attorney, Agent, or Firm*—Lowe Hauptman Ham & Berner, LLP

(57) **CLAIM**

The ornamental design for the toilet bowl incorporating bidets, as shown.

**DESCRIPTION**

FIG. 1 is a perspective view of the toilet bowl incorporating bidets according to the invention;

FIG. 2 is a front elevational view thereof;

FIG. 3 is a rear elevational view thereof;

FIG. 4 is a left side elevational view thereof;

FIG. 5 is a right side elevational view thereof;

FIG. 6 is a top plan view thereof;

FIG. 7 is a bottom plan view thereof; and,

FIG. 8 is a reference view with thereof.

**1 Claim, 8 Drawing Sheets**

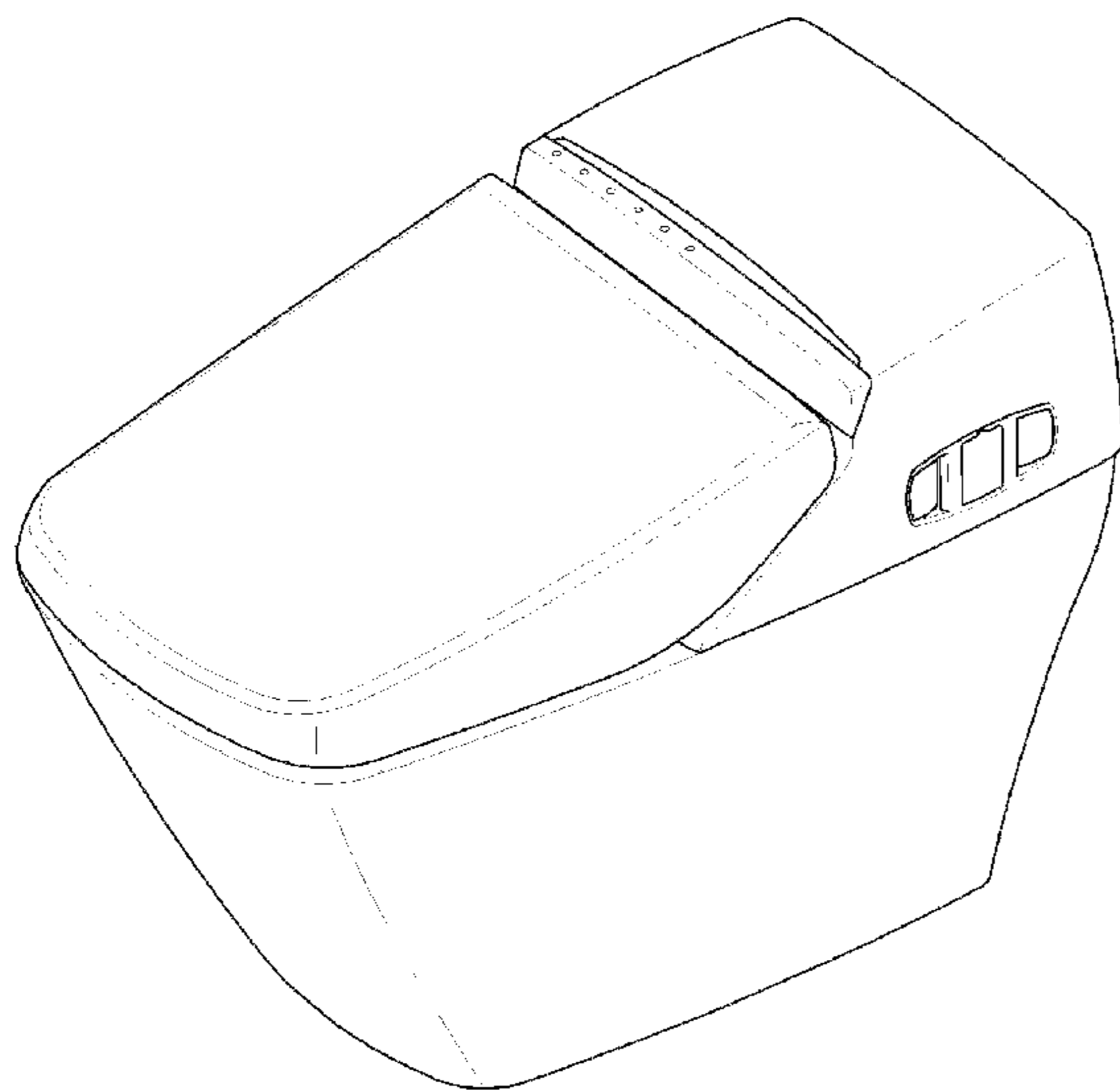
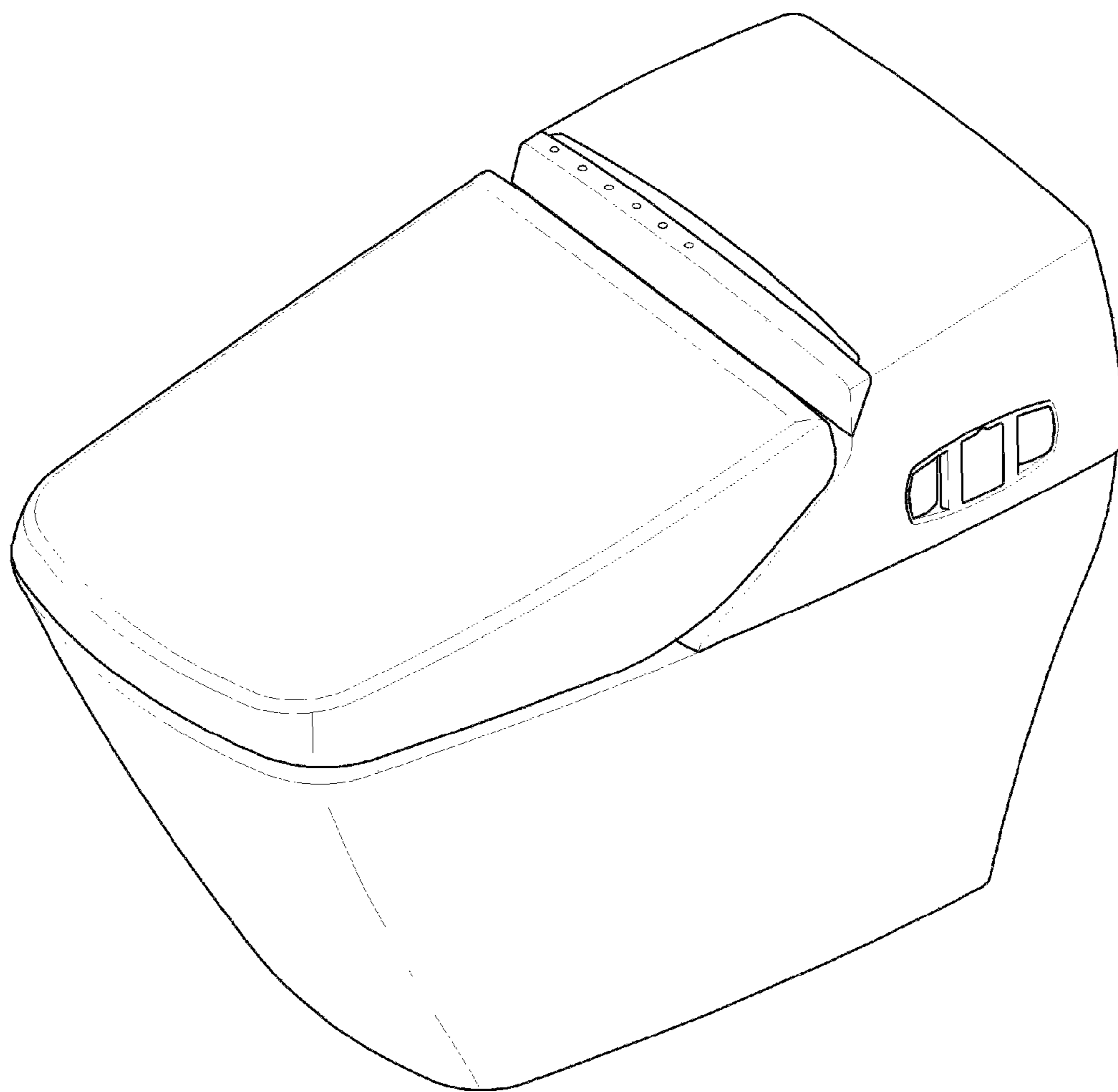
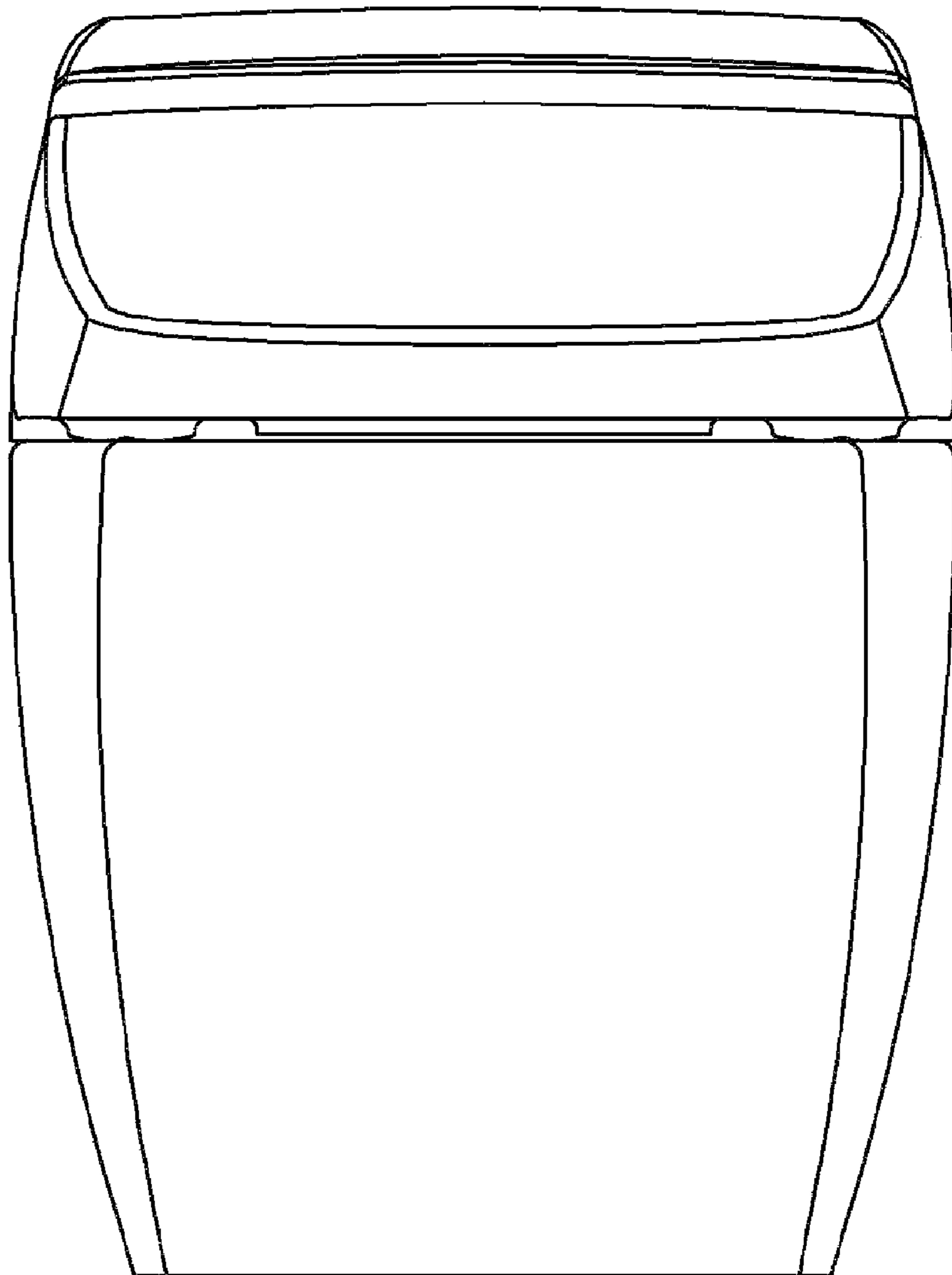


FIG. 1



**FIG. 2**



**FIG. 3**

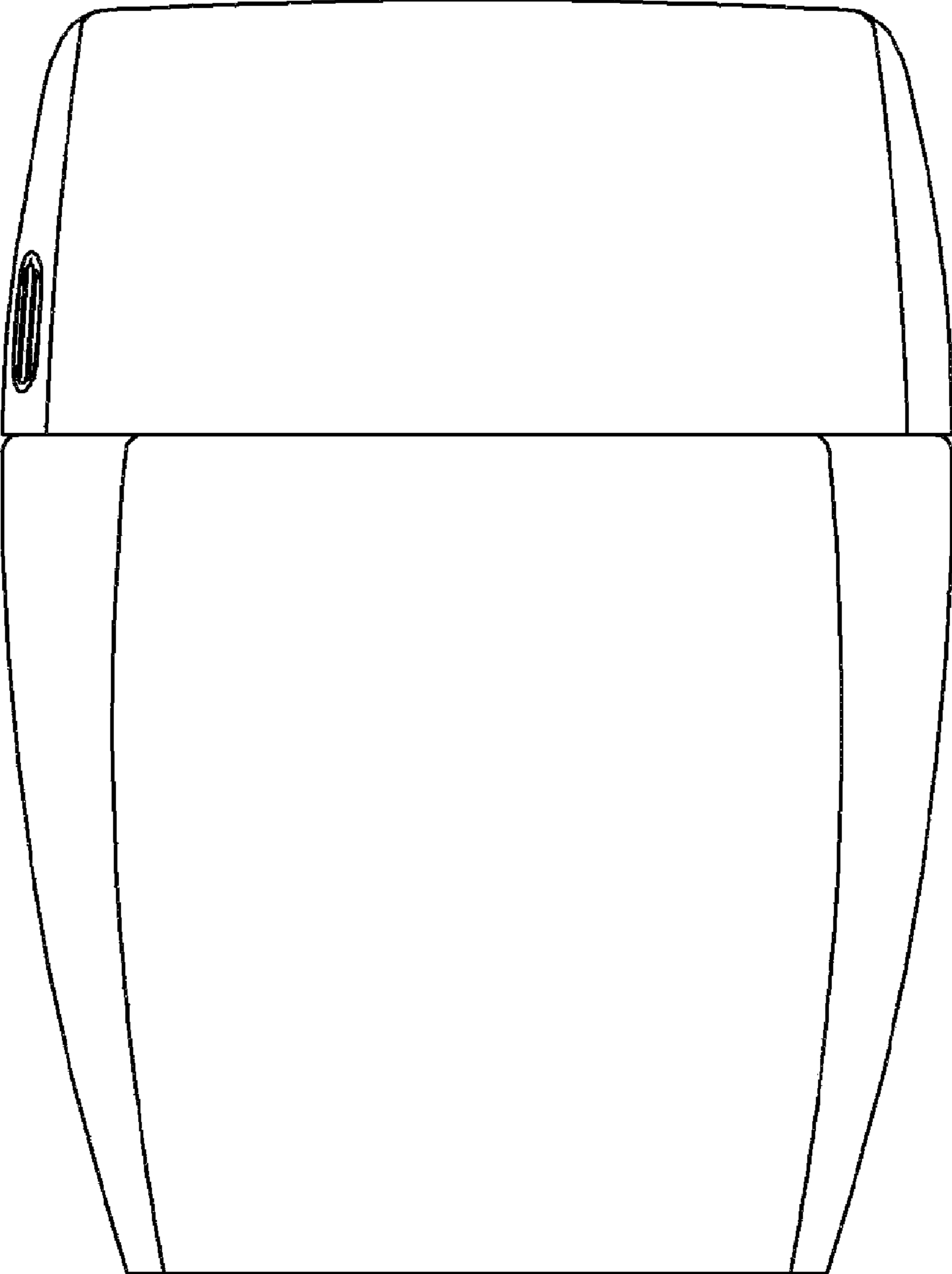


FIG. 4

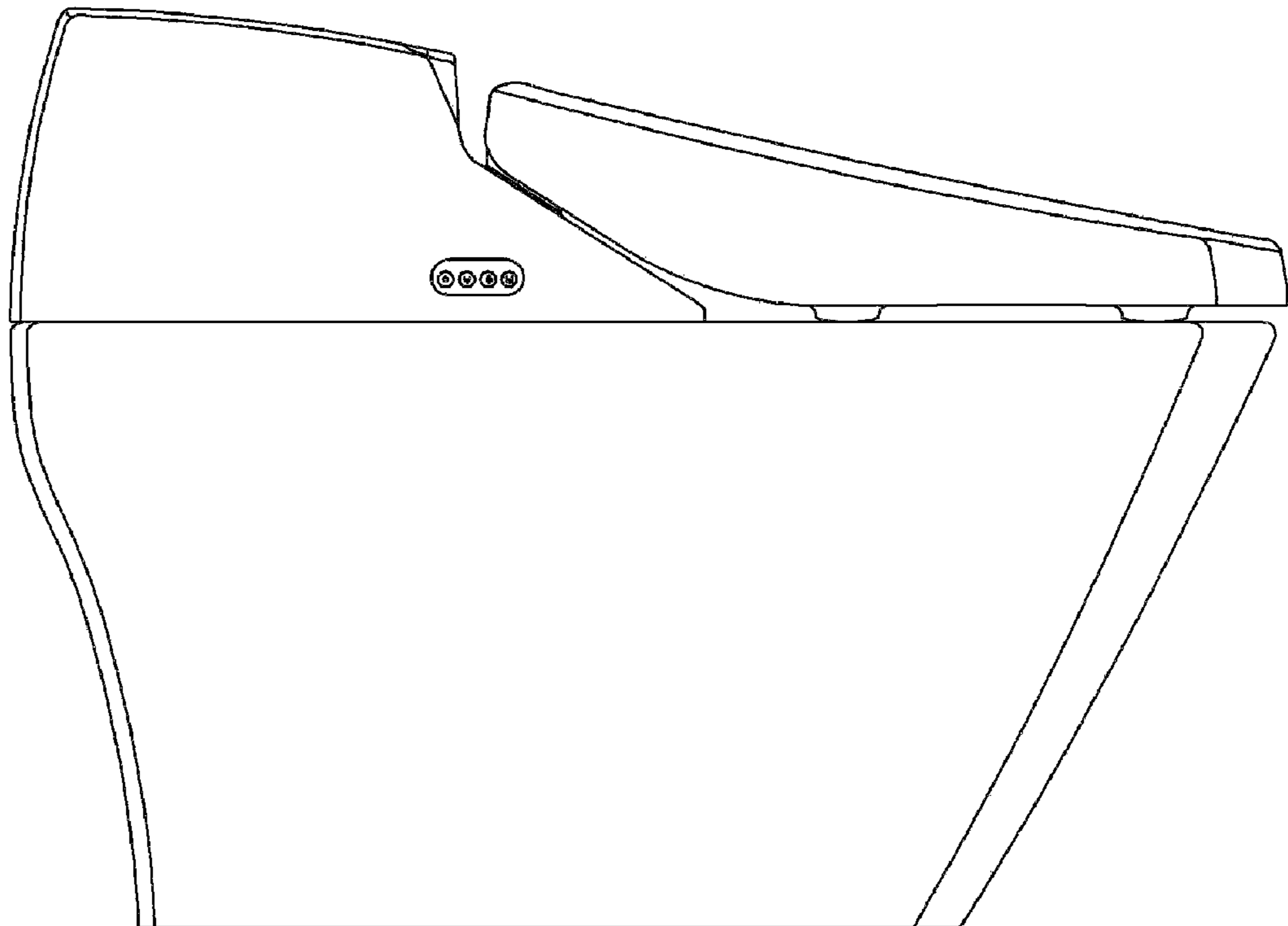
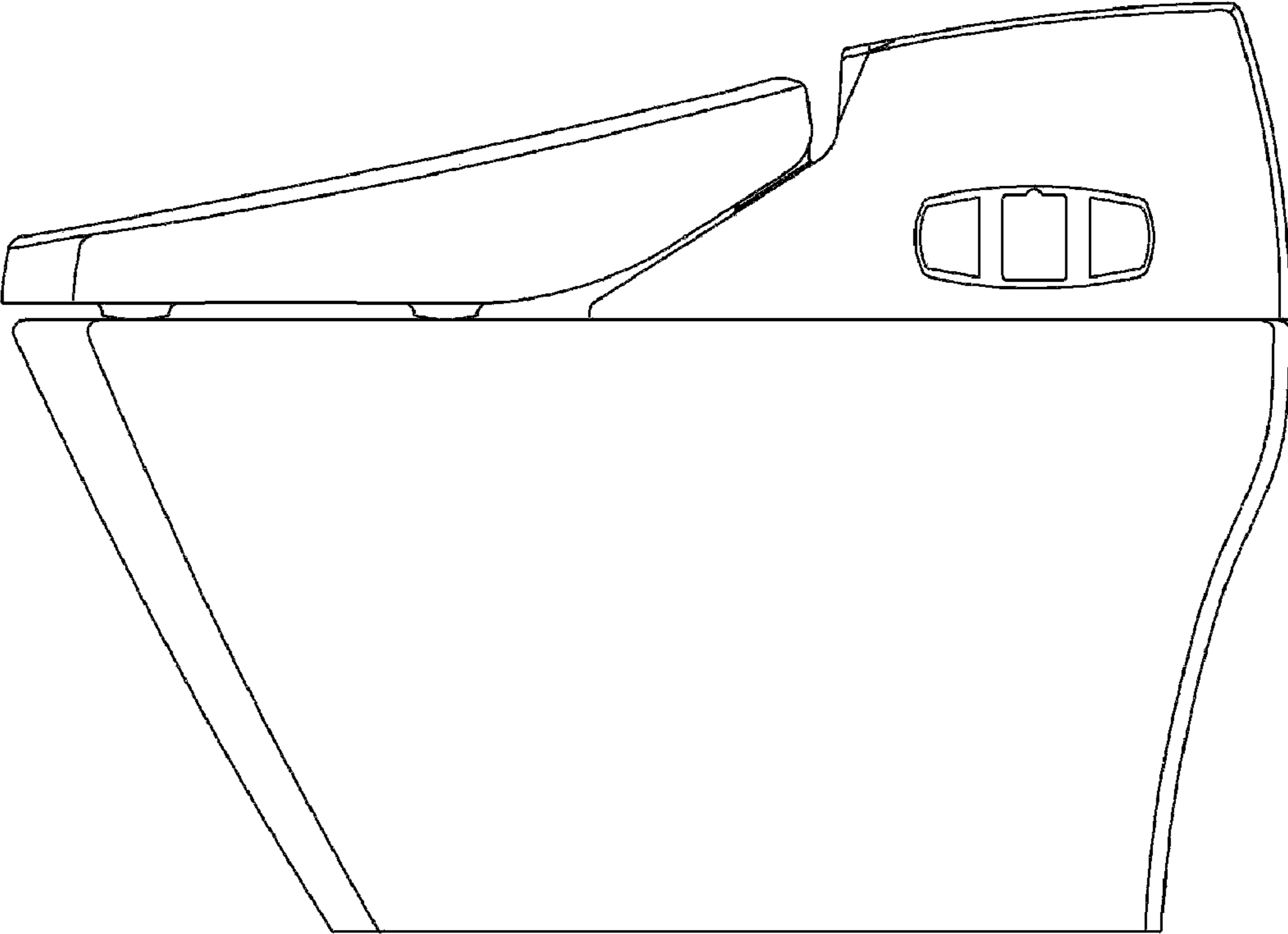
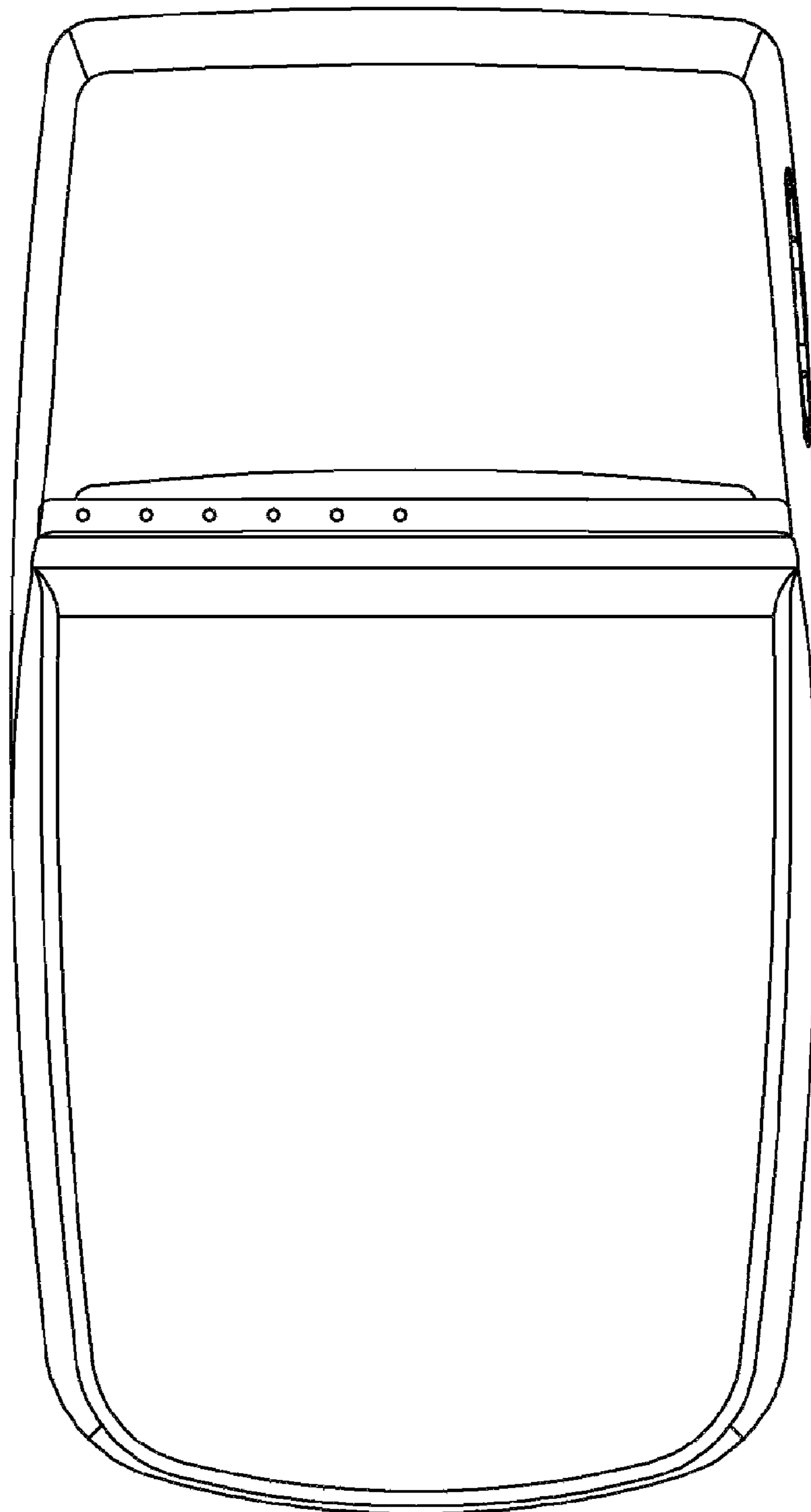


FIG. 5



**FIG. 6**



**FIG. 7**

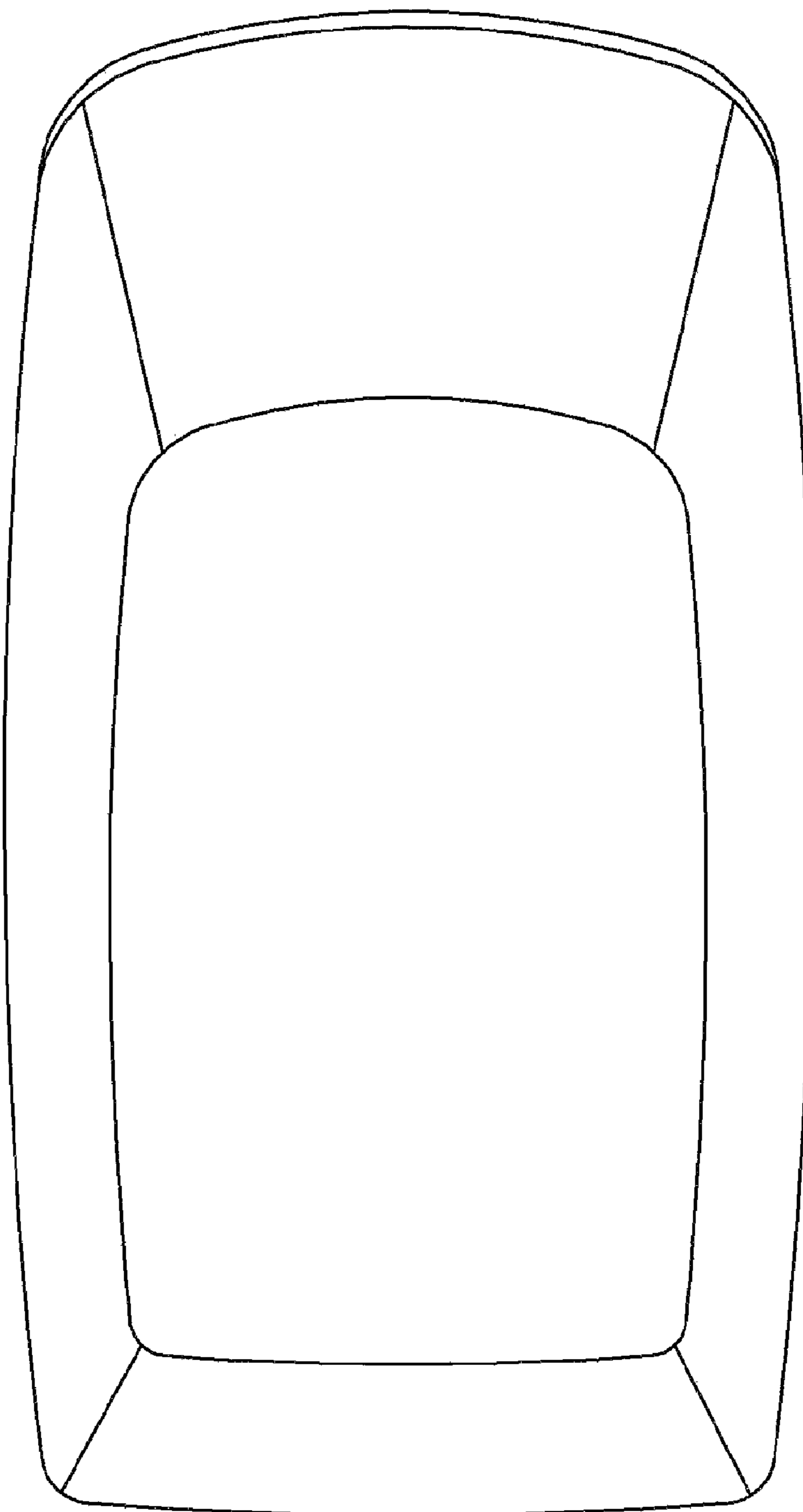




FIG. 8

