



US00D581033S

(12) **United States Design Patent**  
**Christopher et al.**

(10) **Patent No.:** **US D581,033 S**

(45) **Date of Patent:** **\*\* Nov. 18, 2008**

(54) **MID-SECTION HOSE**

(75) Inventors: **Kent L. Christopher**, Denver, CO (US);  
**Stephanie S. Diehl**, Littleton, CO (US)

(73) Assignee: **CS Medical, Inc.**, Boulder, CO (US)

(\*\*) Term: **14 Years**

(21) Appl. No.: **29/265,777**

(22) Filed: **Sep. 9, 2006**

(51) **LOC (8) Cl.** ..... **23-01**

(52) **U.S. Cl.** ..... **D23/263**

(58) **Field of Classification Search** ..... D23/213,  
D23/249, 257, 259, 260, 261, 262, 263, 264,  
D23/265, 266, 267, 268; D15/7; D8/396;  
4/675-678; 403/291, 300; 285/1, 53, 112,  
285/340, 367, 373, 404, 915; 261/DIG. 22;  
239/428.5; 604/264, 508, 96.01, 523, 528,  
604/921, 544, 433, 434, 435, 466, 585  
See application file for complete search history.

(56) **References Cited**

**U.S. PATENT DOCUMENTS**

D248,774 S \* 8/1978 Vallfors ..... D24/112  
D310,406 S \* 9/1990 Cifaldi ..... D23/263  
5,308,318 A \* 5/1994 Plassche, Jr. .... 604/540  
D367,324 S \* 2/1996 McCarthy et al. .... D24/112

6,468,262 B1 \* 10/2002 Murphy ..... 604/540  
6,619,570 B1 \* 9/2003 Ericksen et al. .... 239/532  
D533,270 S \* 12/2006 Kierce et al. .... D24/112  
D571,007 S \* 6/2008 Rehbein et al. .... D24/133

\* cited by examiner

*Primary Examiner*—Cathron Brooks

*Assistant Examiner*—Michael A Pratt

(74) *Attorney, Agent, or Firm*—Dorr, Carson & Birney, P.C.

(57) **CLAIM**

The ornamental design for a mid-section hose, as shown and described.

**DESCRIPTION**

FIG. 1 is a perspective view of a mid-section hose showing our new design.

FIG. 2 is a top plan view thereof.

FIG. 3 is a left side elevational view thereof.

FIG. 4 is a bottom plan view thereof.

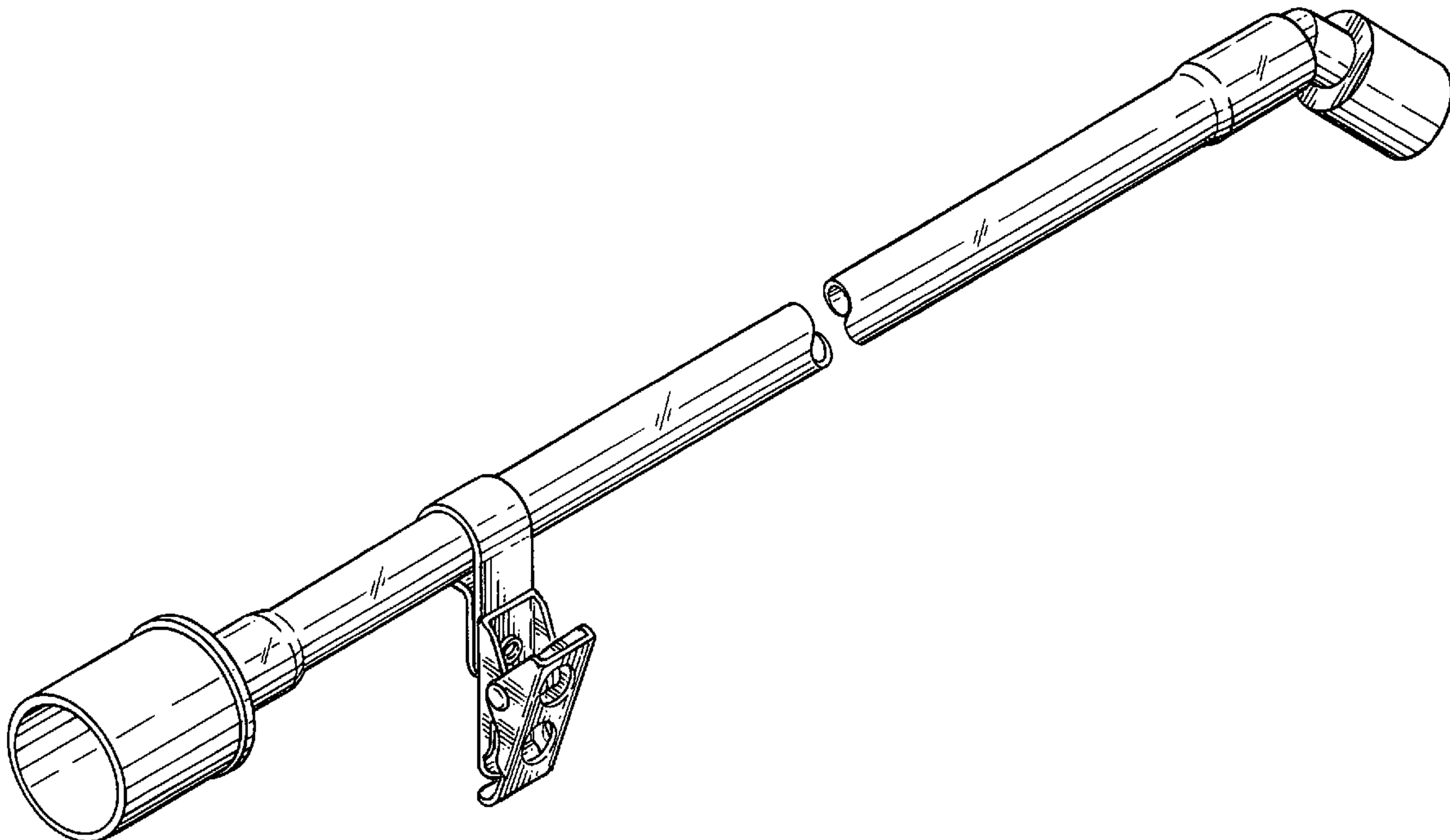
FIG. 5 is a right side elevational view thereof.

FIG. 6 is a front elevational view thereof; and,

FIG. 7 is a rear elevational view thereof.

The design is shown broken apart along its length to indicate that no specific length is claimed.

**1 Claim, 4 Drawing Sheets**



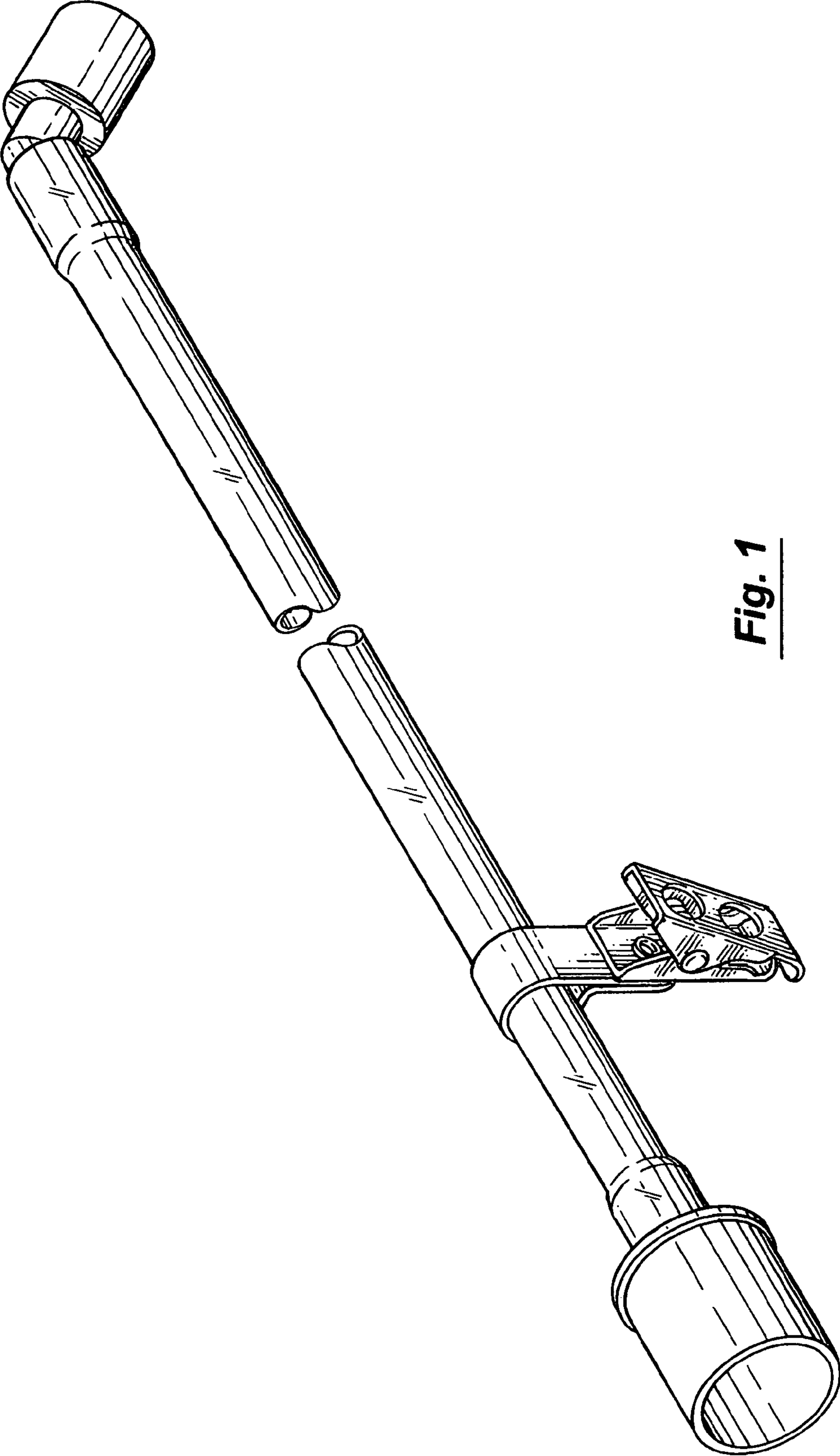


Fig. 1

Fig. 2

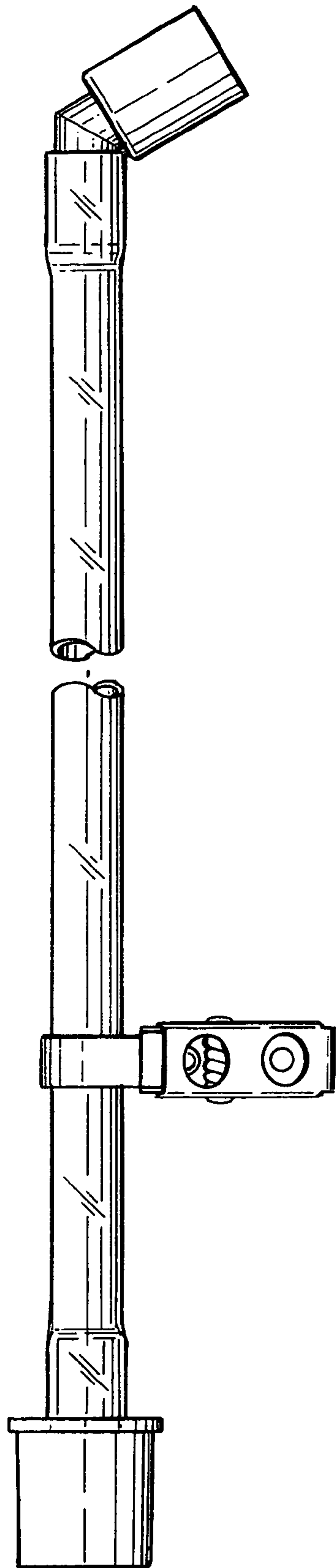
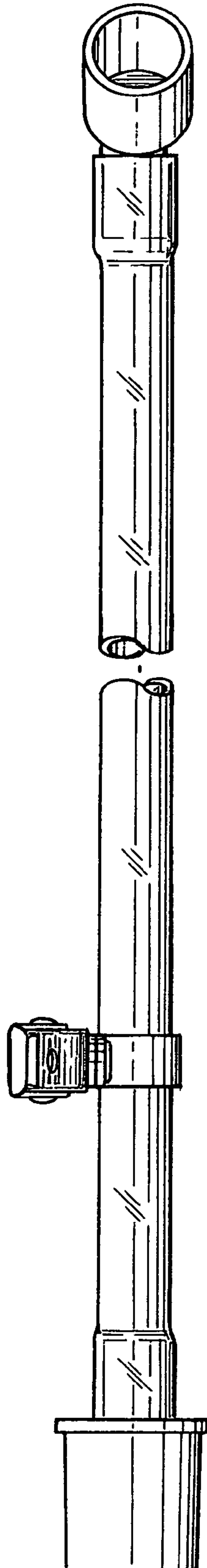


Fig. 3



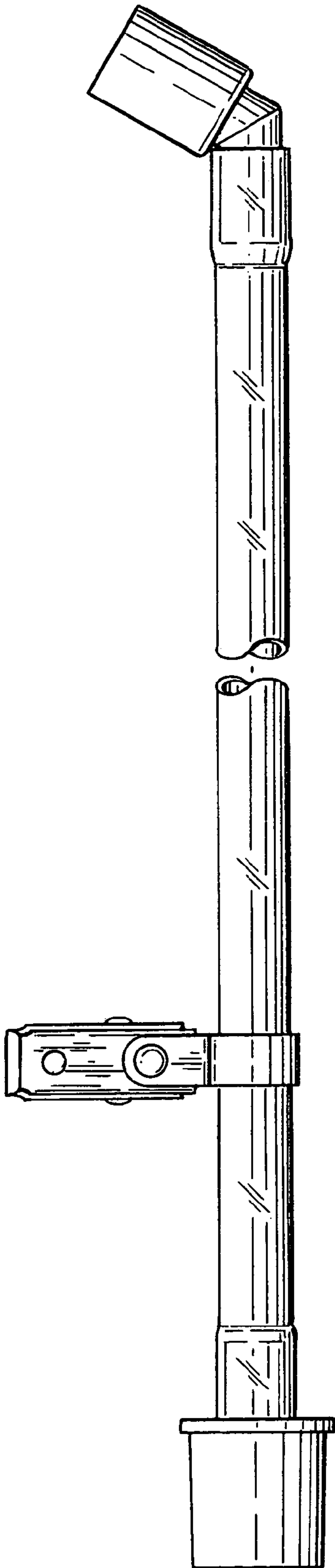


Fig. 4

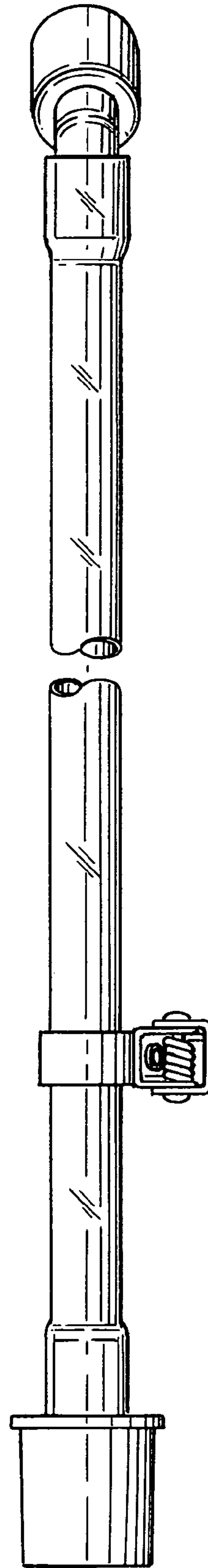


Fig. 5

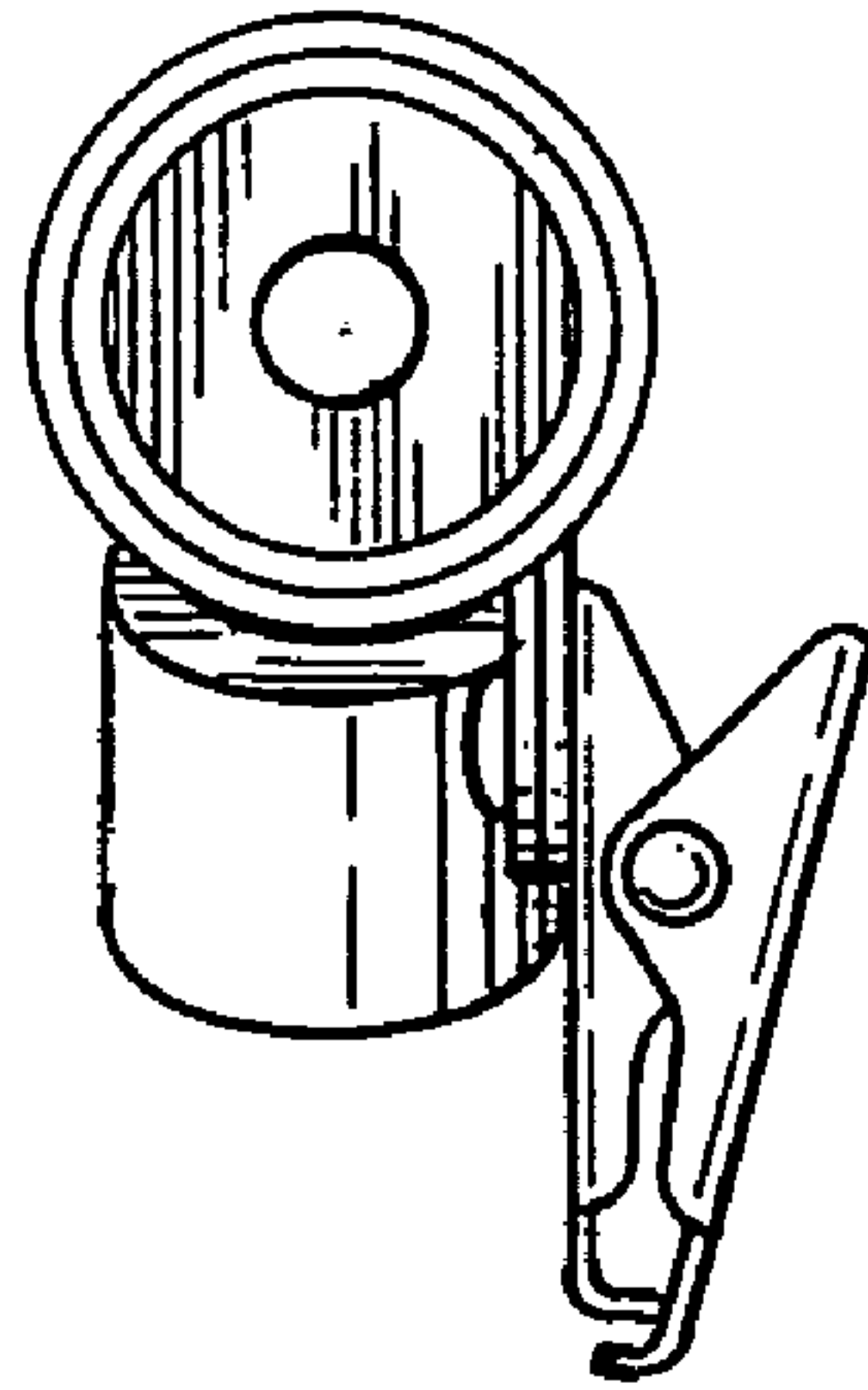


Fig. 6

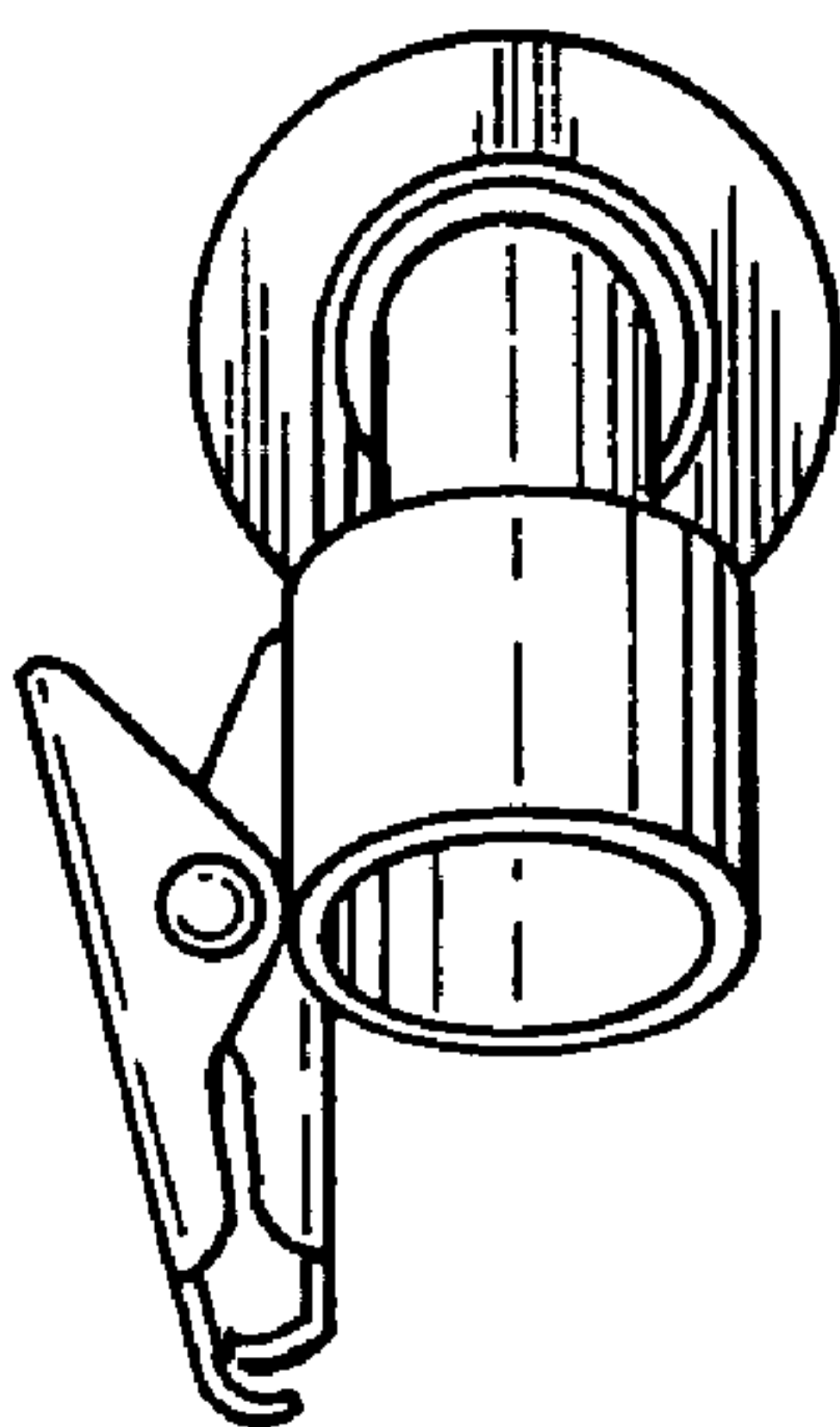


Fig. 7