



US00D581032S

(12) **United States Design Patent**
Parry

(10) **Patent No.:** **US D581,032 S**

(45) **Date of Patent:** **** Nov. 18, 2008**

(54) **VENT CAP**

(76) **Inventor:** **Ronald C. Parry**, 936 Kennedy Avenue,
North Vancouver, BC (CA) V7R 1L3

(**) **Term:** **14 Years**

(21) **Appl. No.:** **29/248,111**

(22) **Filed:** **Jul. 28, 2006**

(51) **LOC (8) Cl.** **23-01**

(52) **U.S. Cl.** **D23/260**

(58) **Field of Classification Search** D23/213,
D23/249, 257, 259, 260-269, 370-376; 239/428.5;
261/DIG. 22; D8/396; 285/1, 112, 179,
285/340, 367, 373, 404, 53, 915; 4/675-678;
403/291, 300; 411/5, 10; 137/801
See application file for complete search history.

(56) **References Cited**

U.S. PATENT DOCUMENTS

D135,039 S *	2/1943	Rowland	D23/376
D135,040 S *	2/1943	Rowland	D23/376
D135,628 S *	5/1943	Heiman	D23/374
D167,736 S *	9/1952	Bowman	D23/374
D180,809 S *	8/1957	Alhambra	D23/376
D188,962 S *	10/1960	Zeller	D23/376
3,082,677 A *	3/1963	Pease	454/47
D256,948 S *	9/1980	Boersma	D23/261

D284,094 S *	6/1986	Liniger	D23/376
D348,924 S *	7/1994	Merrett	D23/261
2008/0096480 A1 *	4/2008	Parry	454/4

* cited by examiner

Primary Examiner—Louis S Zarfaz

Assistant Examiner—Michael A Pratt

(74) *Attorney, Agent, or Firm*—Oyen Wiggs Green & Mutala
LLP; Bruce M. Green

(57) **CLAIM**

The ornamental design for a vent cap, as shown and described.

DESCRIPTION

FIG. 1 is a top perspective view of the design;

FIG. 2 is a front elevation of the design;

FIG. 3 is rear elevation of the design;

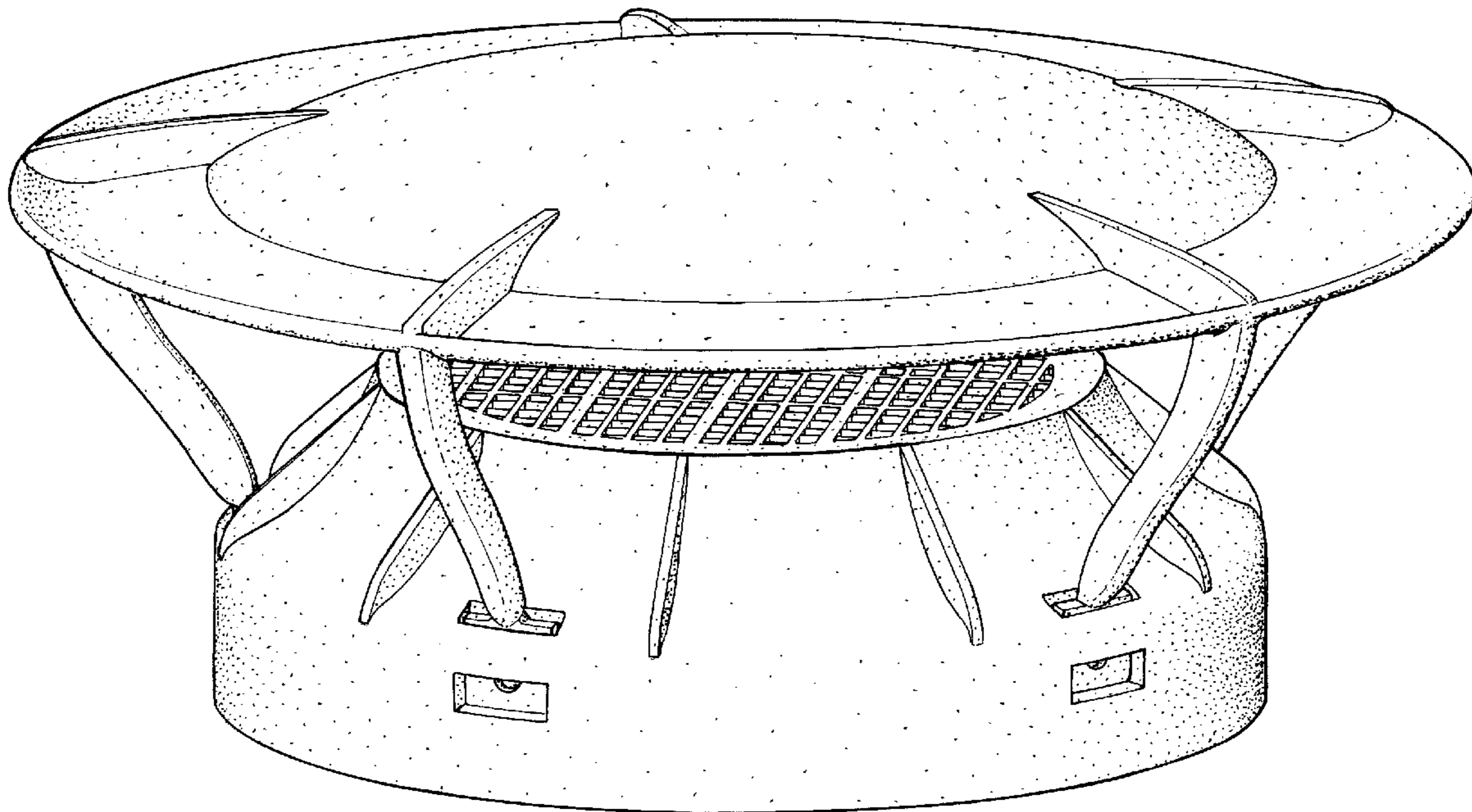
FIG. 4 is right side view of the design as shown in FIG. 2, the left side view being a mirror image thereof;

FIG. 5 is a top plan view of the design;

FIG. 6 is a bottom plan view of the design; and,

FIG. 7 is a perspective view of the lid and support legs of the design separated from the base.

1 Claim, 6 Drawing Sheets



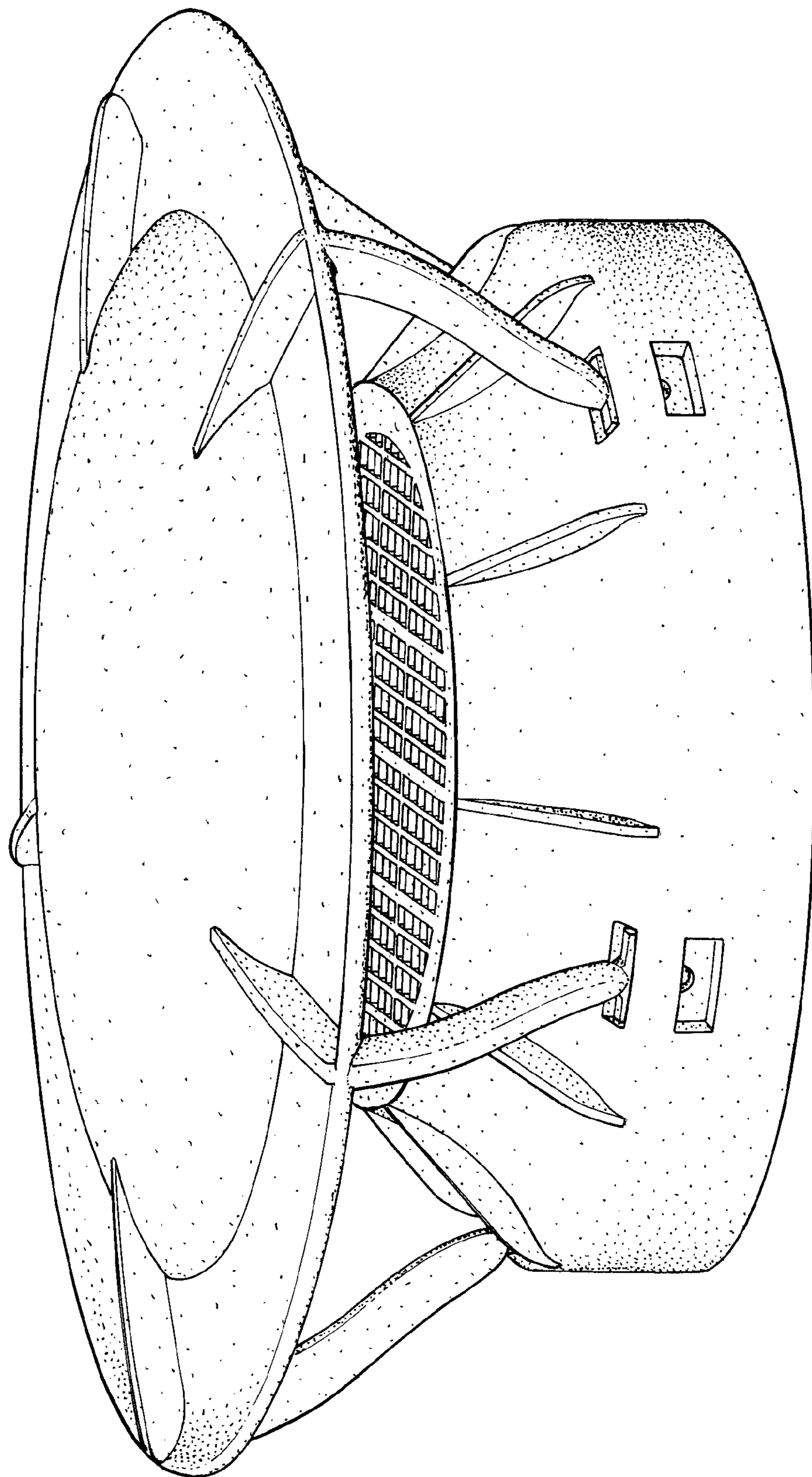


FIG. 1

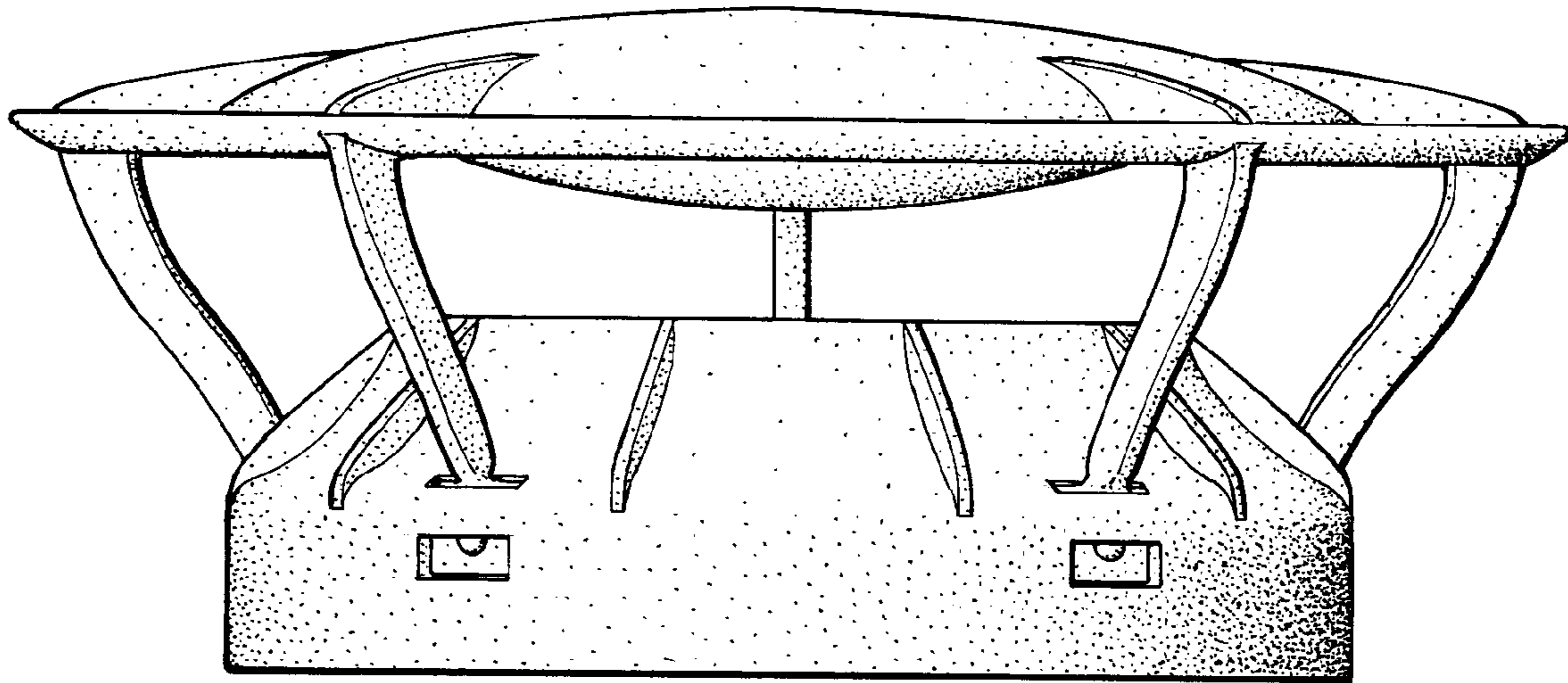


FIG. 2

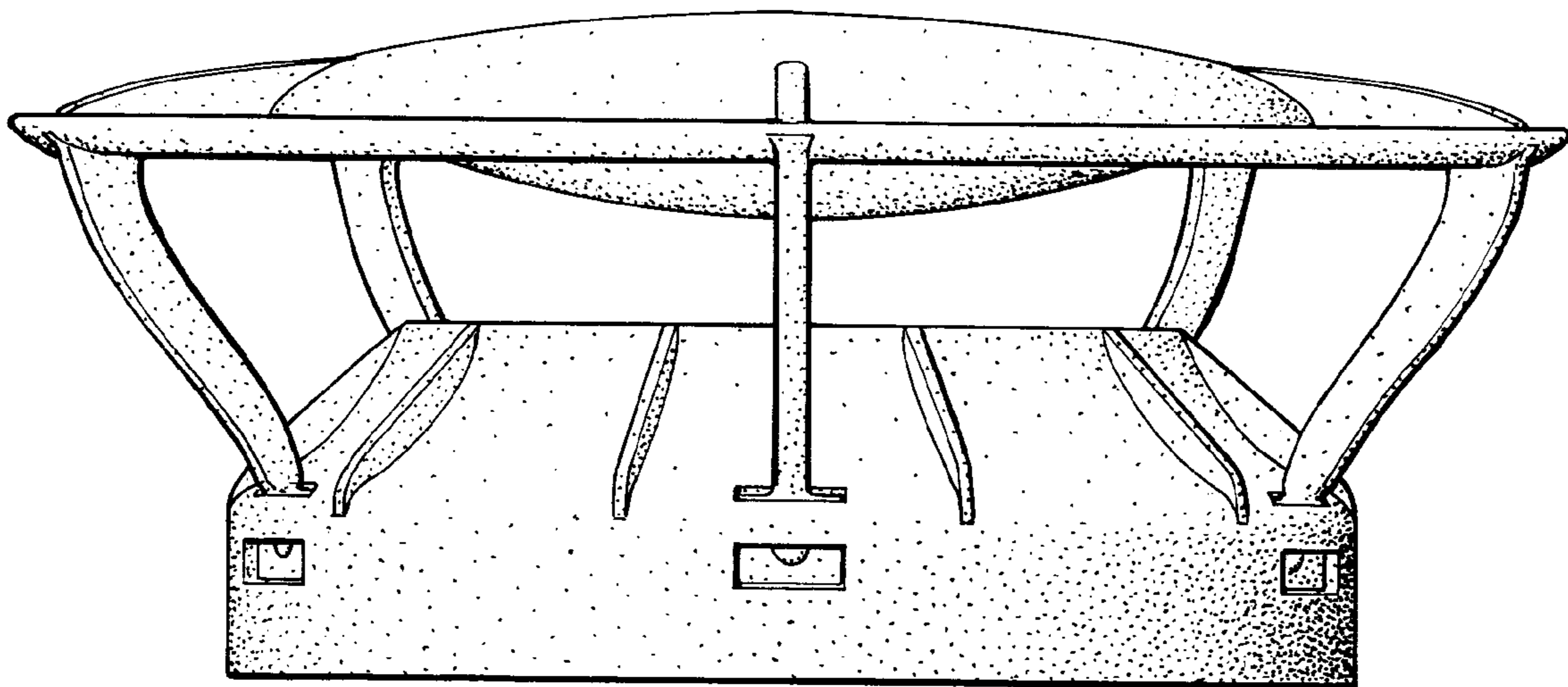


FIG. 3

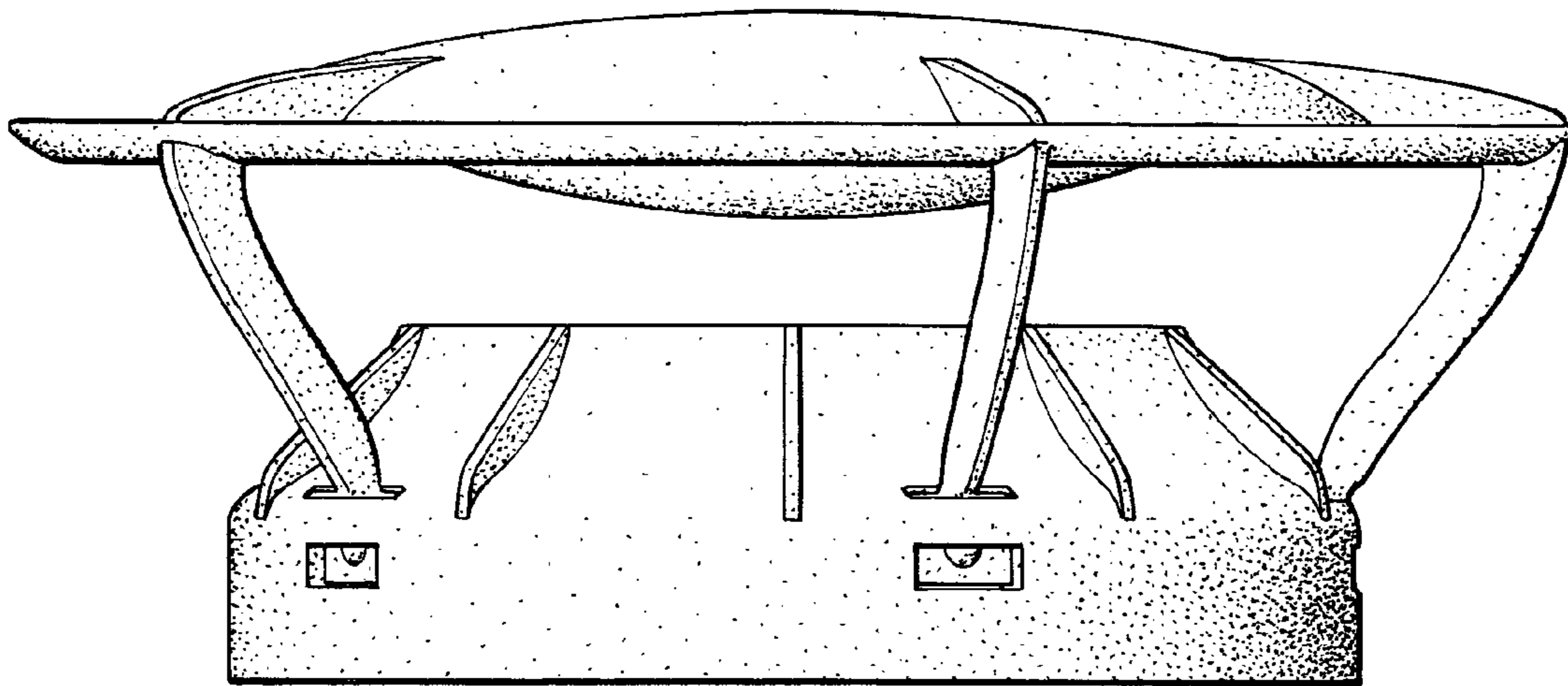


FIG. 4

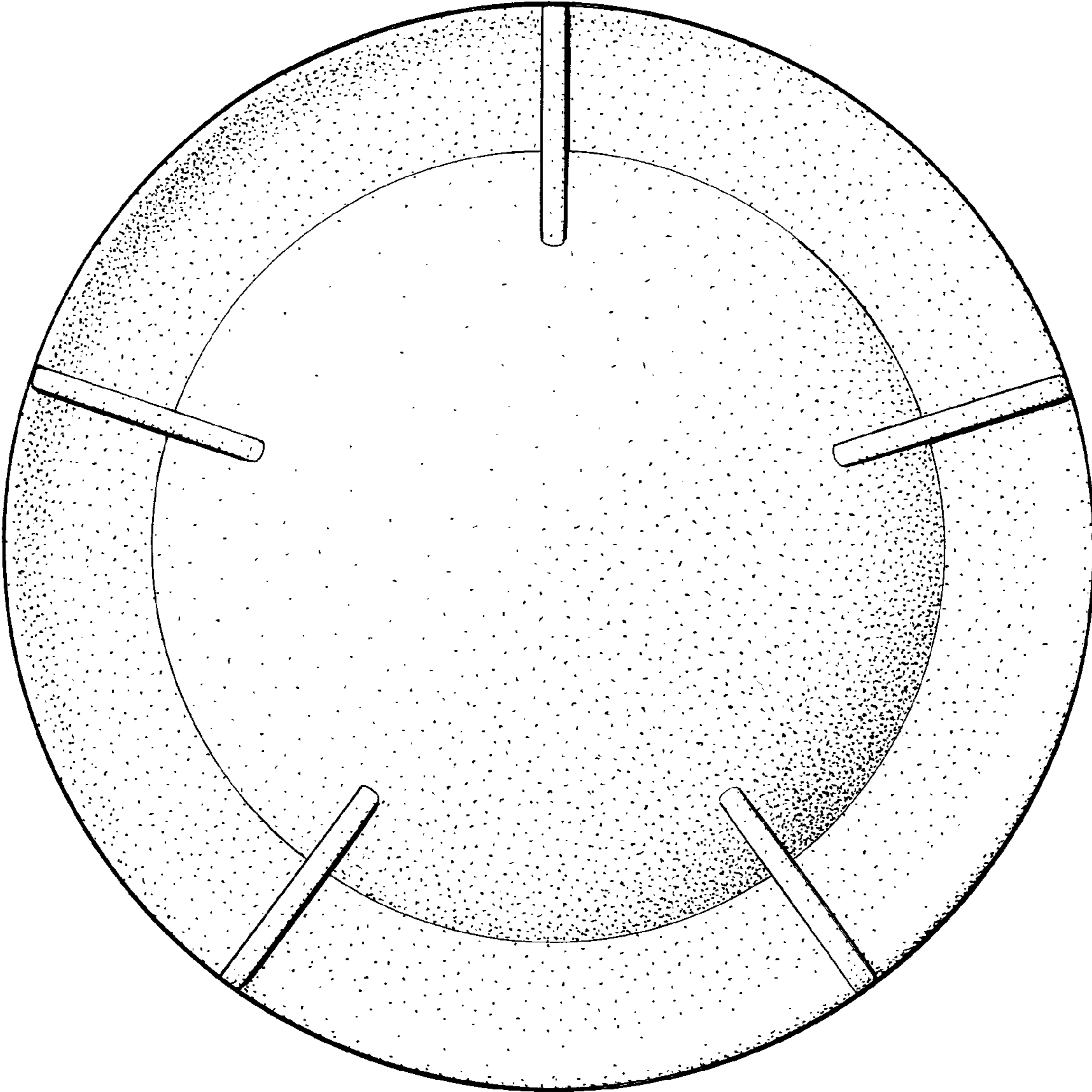


FIG. 5

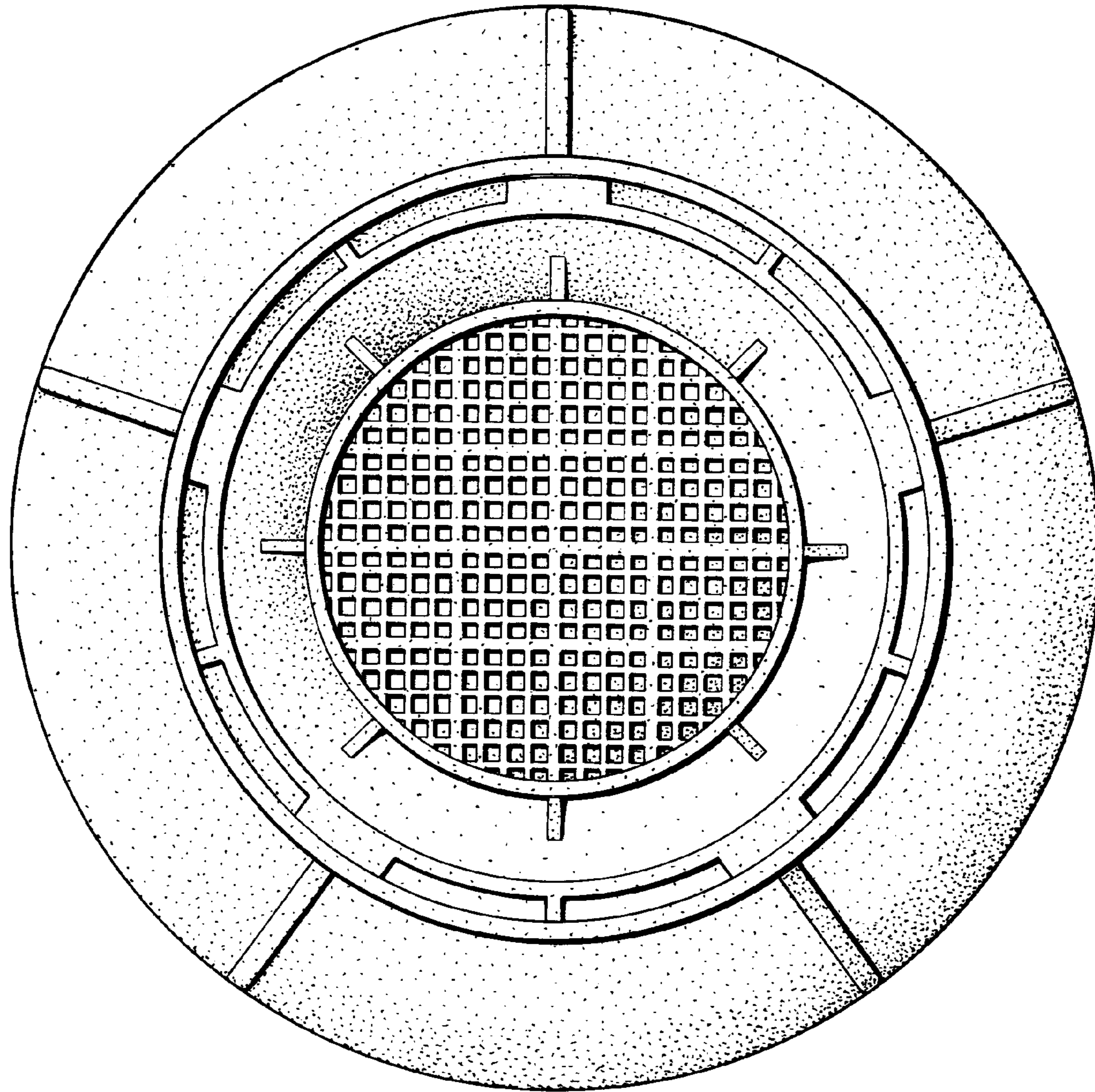


FIG. 6

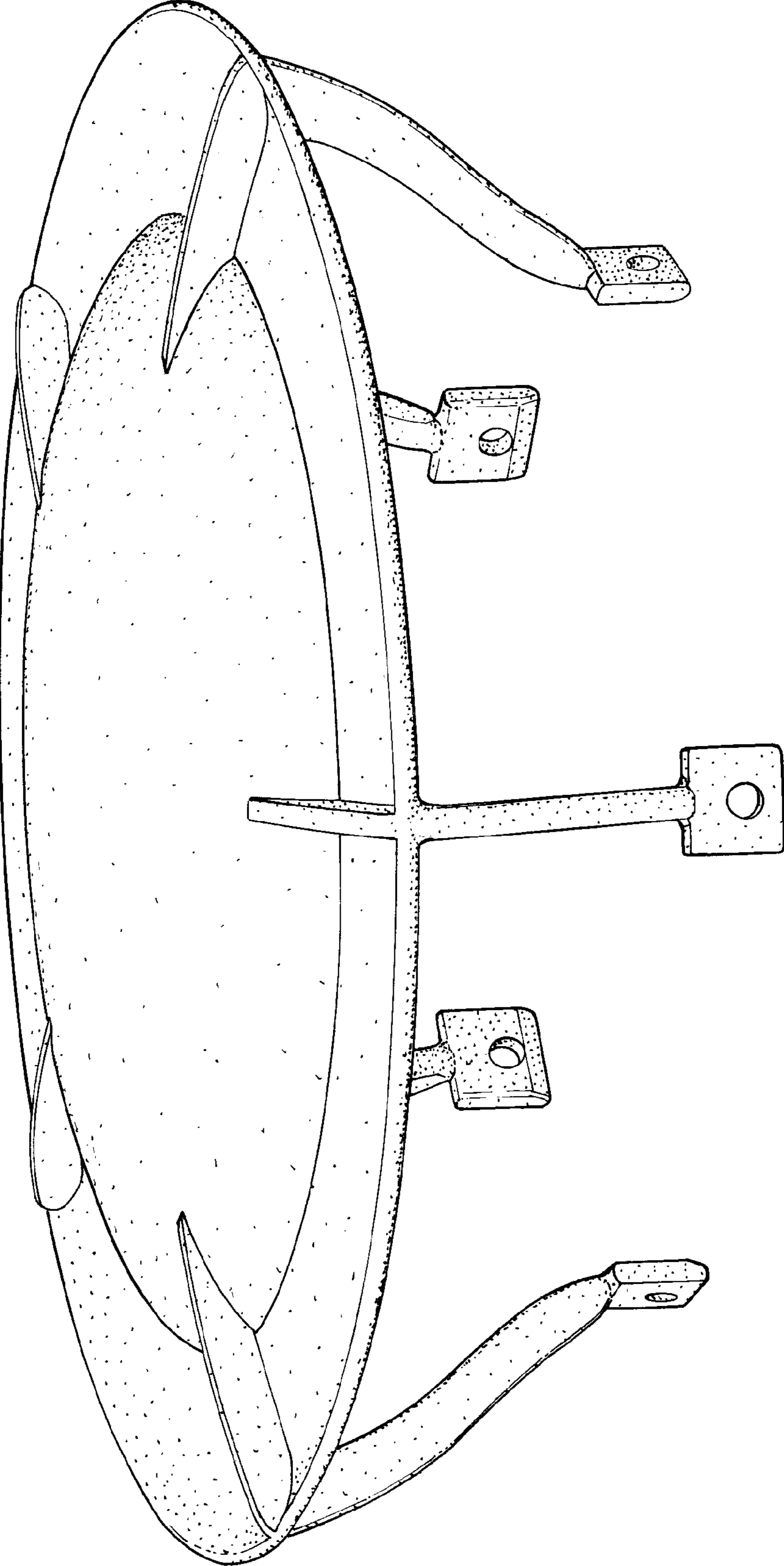


FIG. 7