



US00D581030S

(12) **United States Design Patent**  
**Fritz**

(10) **Patent No.:** **US D581,030 S**

(45) **Date of Patent:** **\*\* Nov. 18, 2008**

(54) **FAUCET SPOUT**

(75) Inventor: **Seth A. Fritz**, Indianapolis, IN (US)

(73) Assignee: **Masco Corporation of Indiana**,  
Indianapolis, IN (US)

(\*\*) Term: **14 Years**

(21) Appl. No.: **29/305,082**

(22) Filed: **Mar. 13, 2008**

(51) **LOC (8) Cl.** ..... **23-01**

(52) **U.S. Cl.** ..... **D23/255**

(58) **Field of Classification Search** ..... D23/255-257,  
D23/238-243; 4/675-678; 137/801  
See application file for complete search history.

(56) **References Cited**

**U.S. PATENT DOCUMENTS**

D326,504 S \* 5/1992 Robbins ..... D23/255  
D511,811 S \* 11/2005 Lord ..... D23/238

\* cited by examiner

*Primary Examiner*—Robert A Delehanty  
(74) *Attorney, Agent, or Firm*—Leon E. Redman; Lloyd D. Doigan

(57) **CLAIM**

The ornamental design for a faucet spout, as shown and described.

**DESCRIPTION**

FIG. 1 is a front perspective view of a faucet spout showing my design;

FIG. 2 is a rear perspective view showing my design;

FIG. 3 is a right side elevational view thereof; the left side elevational view being a mirror image thereof;

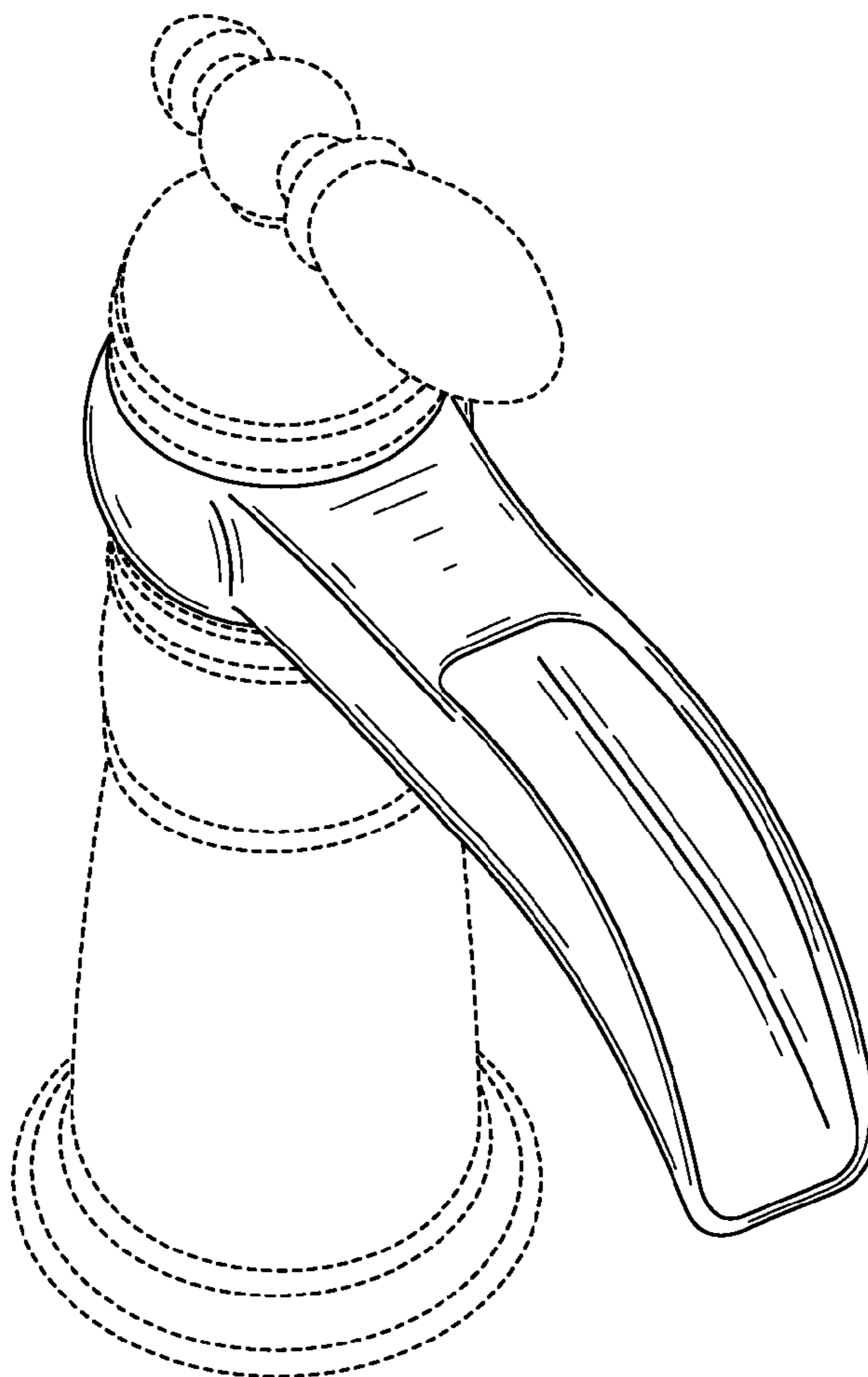
FIG. 4 is a top plan view thereof;

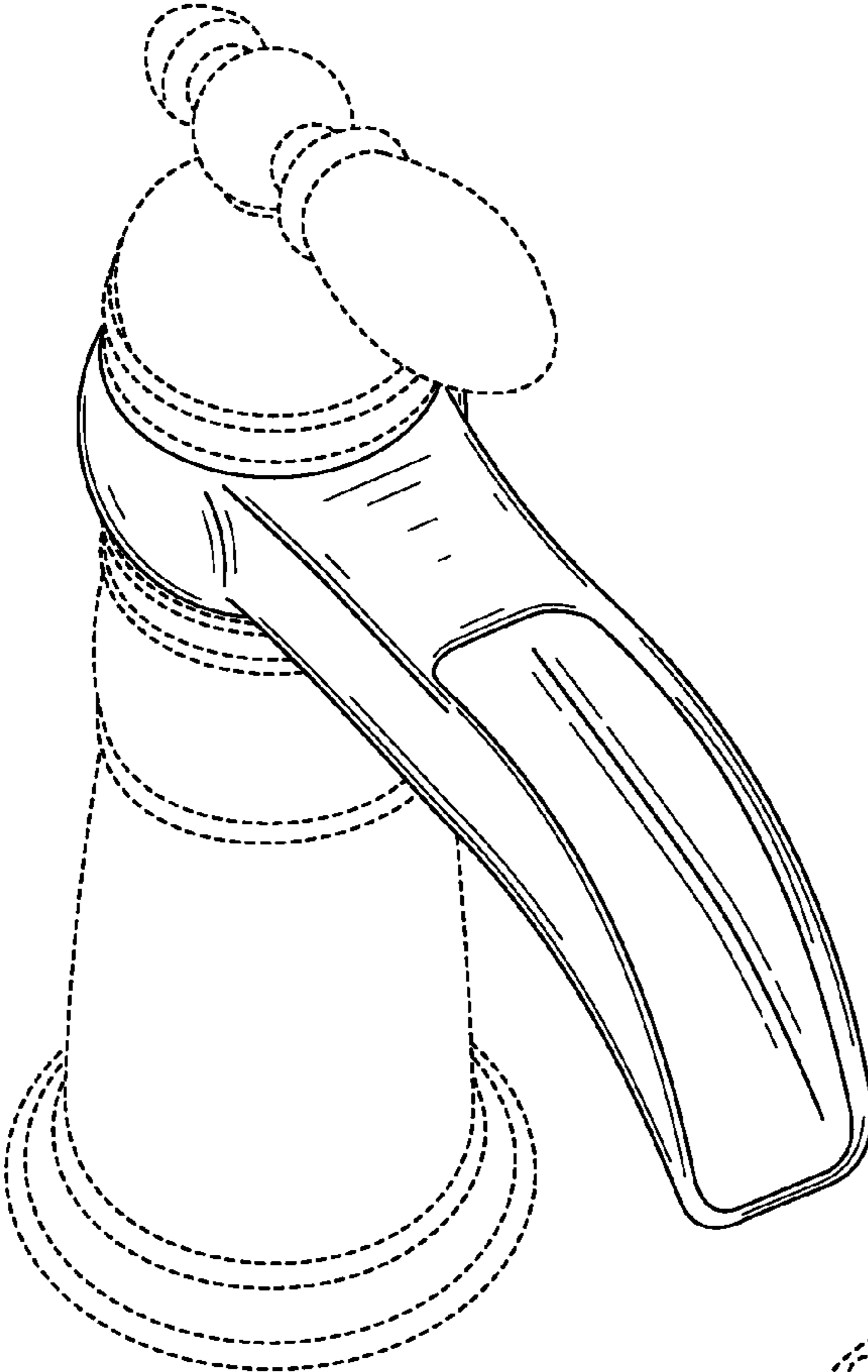
FIG. 5 is a front elevational view thereof; and,

FIG. 6 is a rear elevational view thereof.

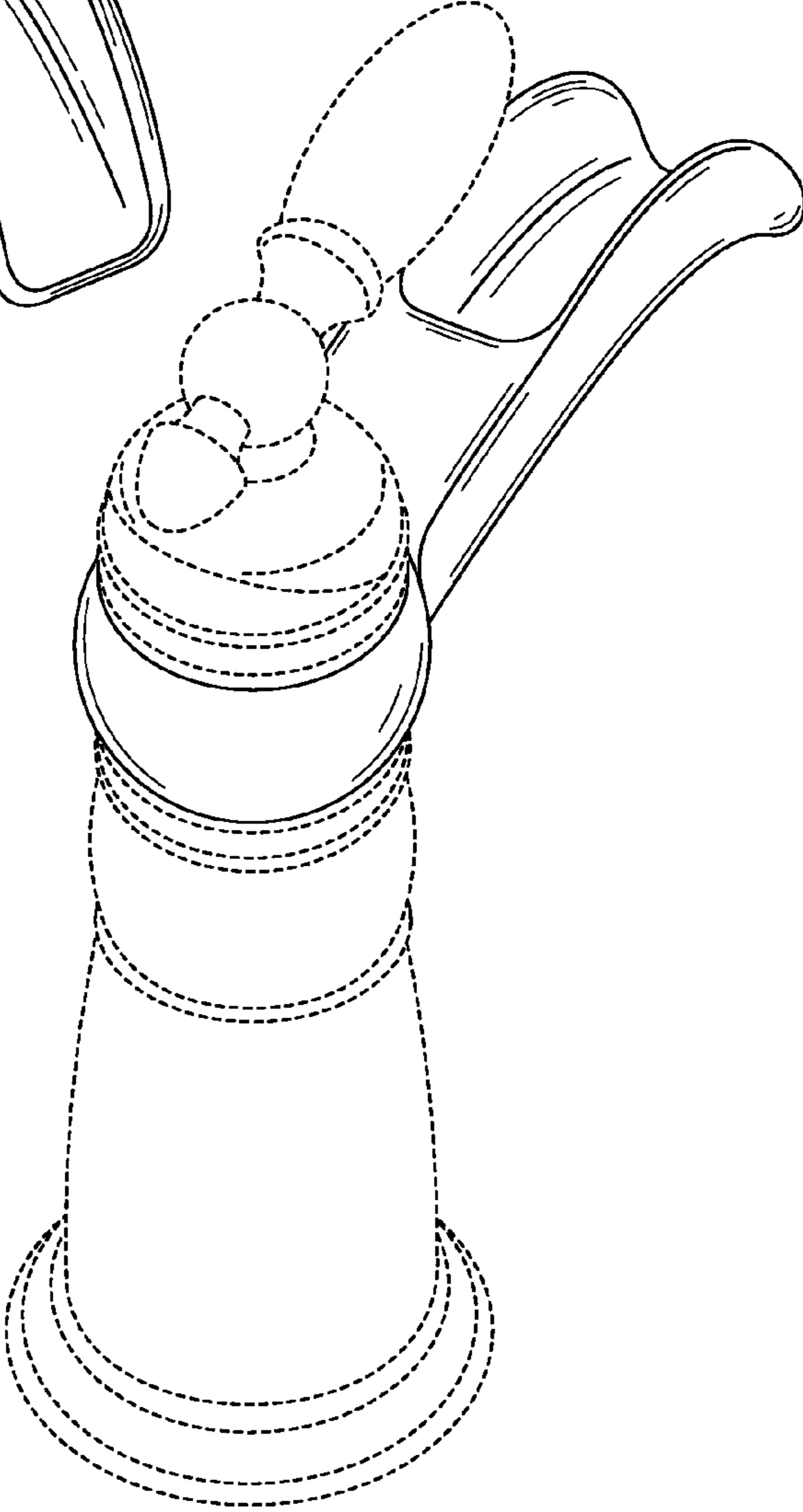
The broken lines in the Figures are for illustrative purposes only and form no part of the claimed design.

**1 Claim, 4 Drawing Sheets**

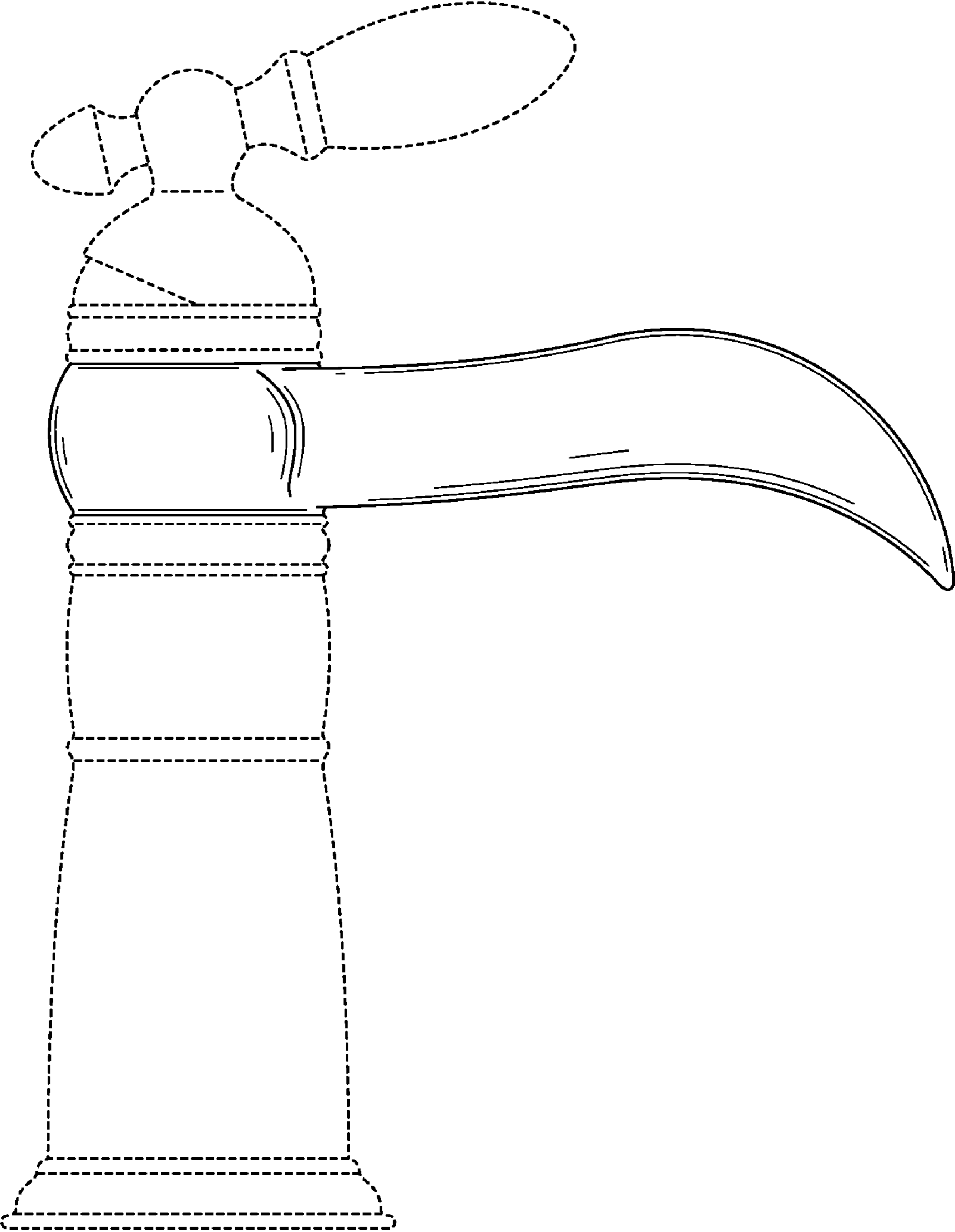




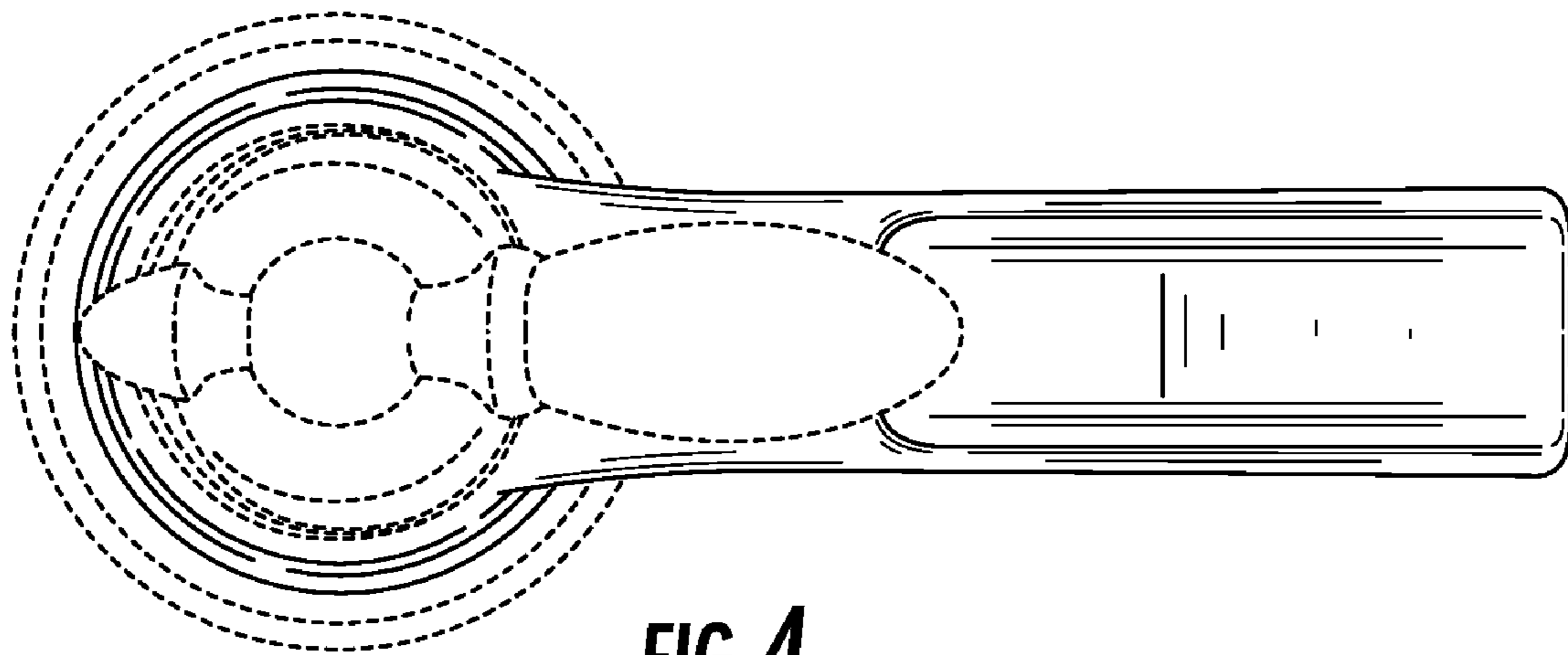
**FIG. 1**



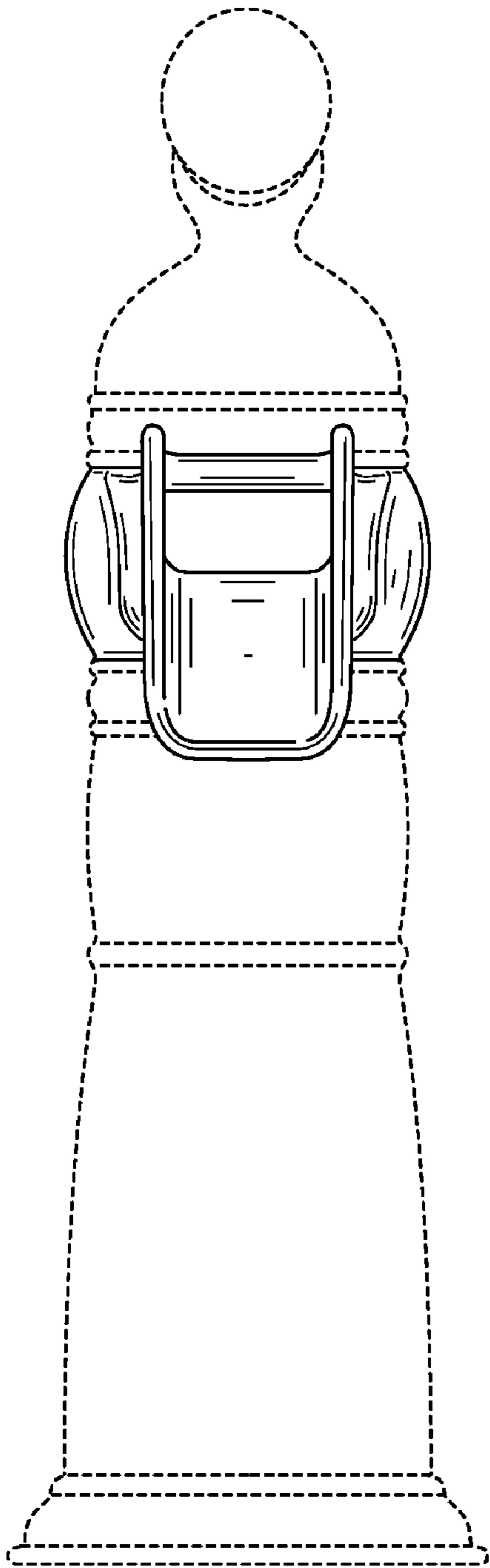
**FIG. 2**



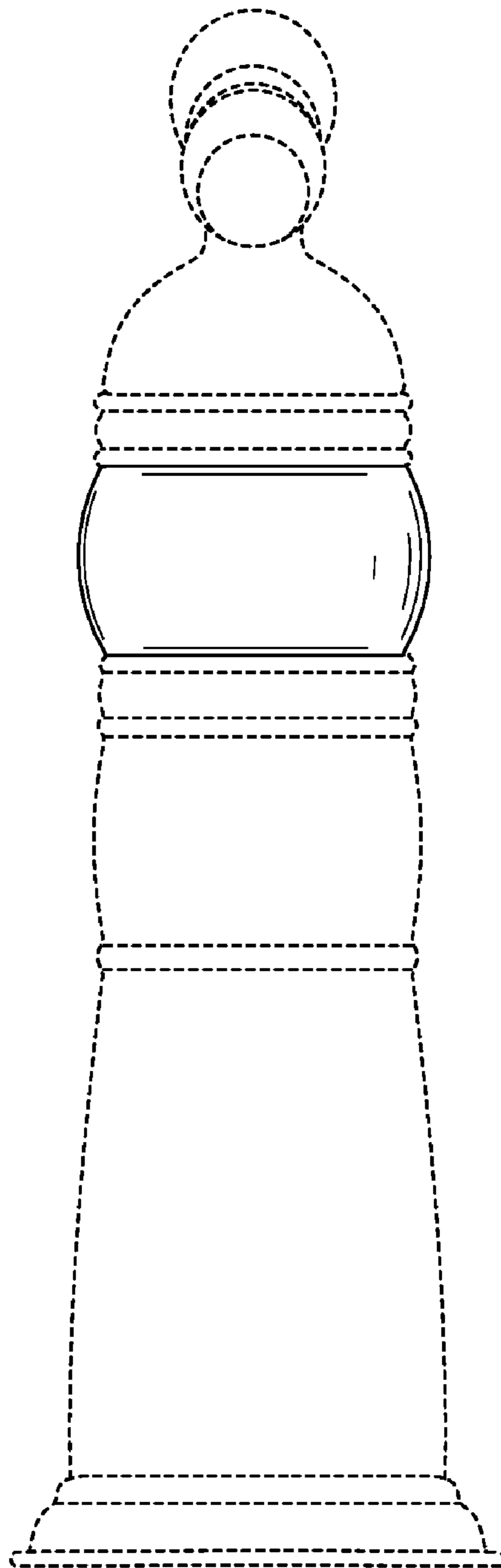
**FIG. 3**



**FIG. 4**



**FIG. 5**



**FIG. 6**