



US00D581029S

(12) **United States Design Patent**
Gilbert

(10) **Patent No.:** **US D581,029 S**

(45) **Date of Patent:** **** Nov. 18, 2008**

(54) **SPOUT**

(75) Inventor: **Christopher Jon Gilbert**, Moreland Hills, OH (US)

(73) Assignee: **Moen Incorporated**, North Olmsted, OH (US)

(**) Term: **14 Years**

(21) Appl. No.: **29/291,956**

(22) Filed: **Sep. 21, 2007**

(51) **LOC (8) Cl.** **23-01**

(52) **U.S. Cl.** **D23/255**

(58) **Field of Classification Search** D23/255-257, D23/238-243; 4/675-678; 137/801
See application file for complete search history.

(56) **References Cited**

U.S. PATENT DOCUMENTS

D117,171 S	10/1939	Fraser
D140,557 S	3/1945	Stanitz
D149,196 S	4/1948	Little et al.
D231,227 S	4/1974	Hill
D235,099 S	5/1975	Doman
D375,142 S	10/1996	Doughty et al.
D417,262 S	11/1999	Caplow
D429,316 S	8/2000	McKeone
D461,000 S	7/2002	Mullenmeister
D461,230 S	8/2002	Ko
D461,231 S	8/2002	Mullenmeister
D468,810 S	1/2003	Smith
D472,615 S	4/2003	Smith
D488,539 S	4/2004	McKeone
D492,009 S	6/2004	Egee
D508,975 S	8/2005	Painter et al.
D508,977 S	8/2005	Otero

D508,979 S	8/2005	Otero	
D517,651 S	3/2006	Theberge	
D517,653 S	3/2006	Ito	
D518,153 S	3/2006	Theberge	
D518,878 S	4/2006	Thun	
D520,121 S	5/2006	Hoernig	
D524,425 S	7/2006	Singtoroj	
D524,922 S	7/2006	Gilbert	
D529,589 S	10/2006	Veltz et al.	
D530,792 S	10/2006	Kohler, Jr. et al.	
D530,793 S	10/2006	Sutopo	
D531,280 S	10/2006	Kohler, Jr. et al.	
D532,484 S	11/2006	Blomstrom	
D534,251 S *	12/2006	Barry D23/255
D540,910 S *	4/2007	Blomstrom D23/238
2006/0042006 A1	3/2006	Thomas	

* cited by examiner

Primary Examiner—Robert A Delehanty

(74) *Attorney, Agent, or Firm*—Calfee, Halter & Griswold LLP

(57) **CLAIM**

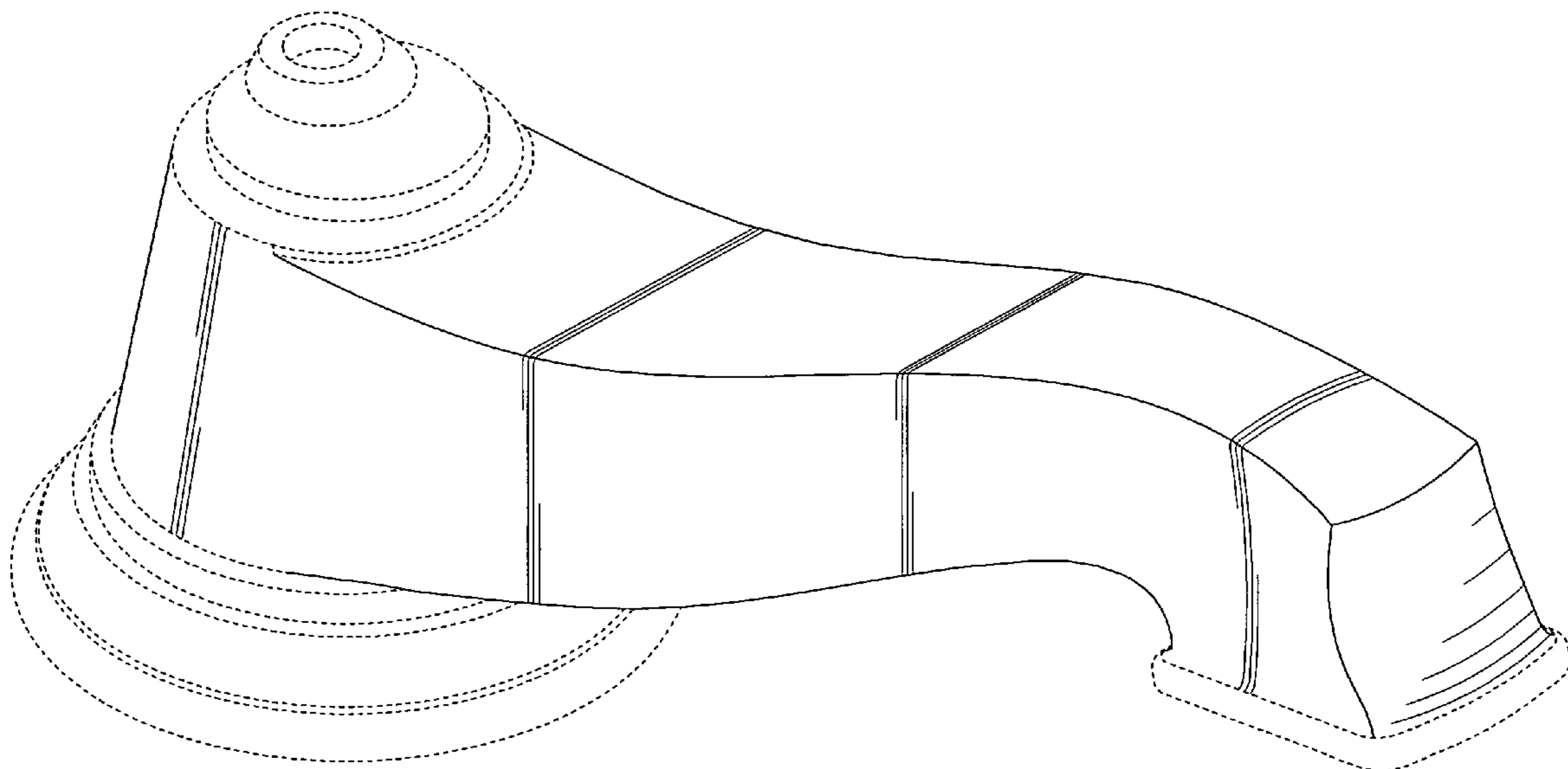
The ornamental design for a spout, as shown and described.

DESCRIPTION

FIG. 1 is a perspective view of a spout of the new design; FIG. 2 is a front elevational view of the spout of FIG. 1; FIG. 3 is a rear elevational view of the spout of FIG. 1; FIG. 4 is a left side elevational view of the spout of FIG. 1, the right side elevational view being a mirror image; FIG. 5 is a top plan view of the spout of FIG. 1; and, FIG. 6 is a bottom plan view of the spout of FIG. 1.

The portions of the Figures shown in broken lines are not part of the claimed design and are for illustration only.

1 Claim, 4 Drawing Sheets



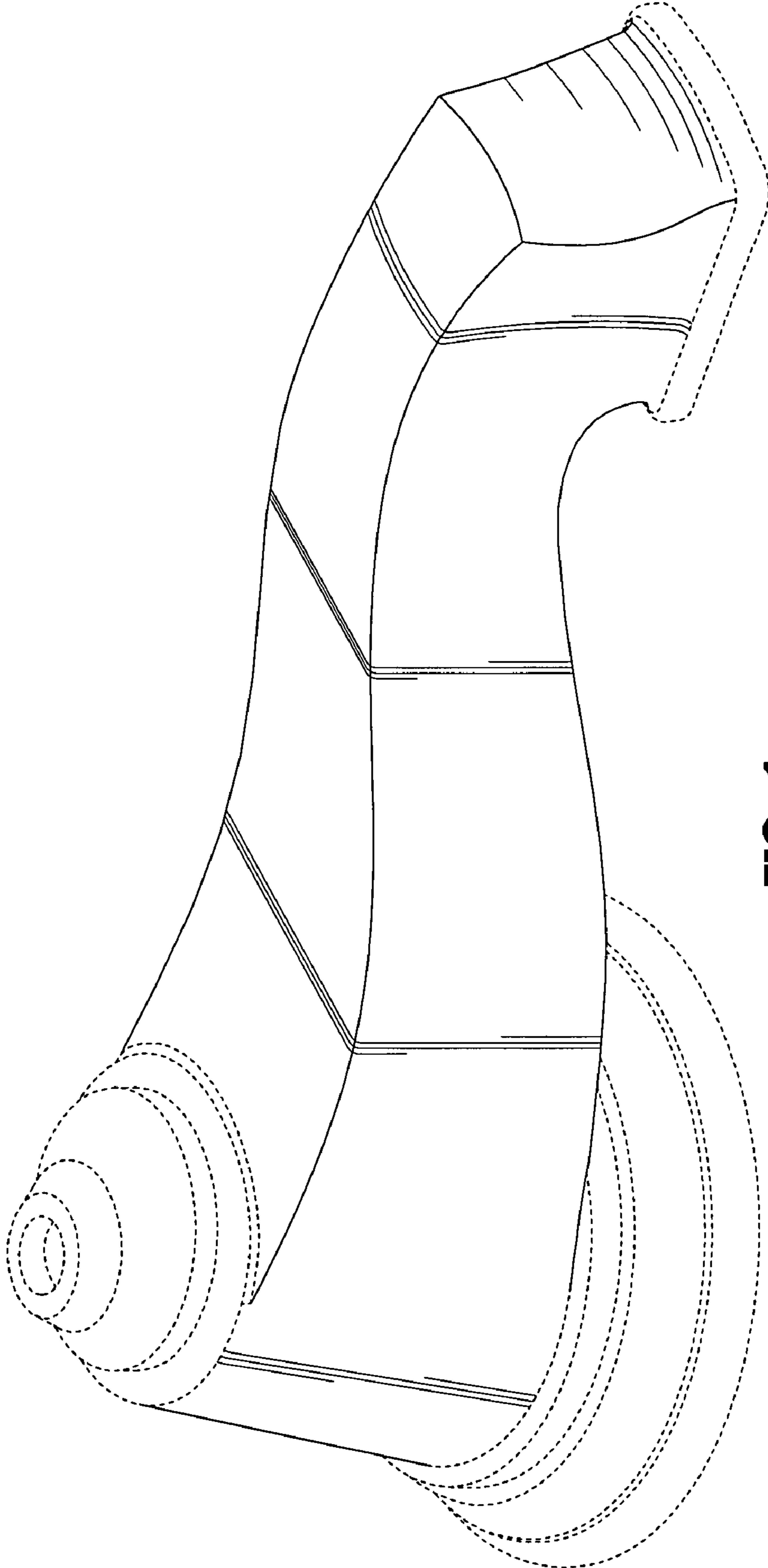


FIG. 1

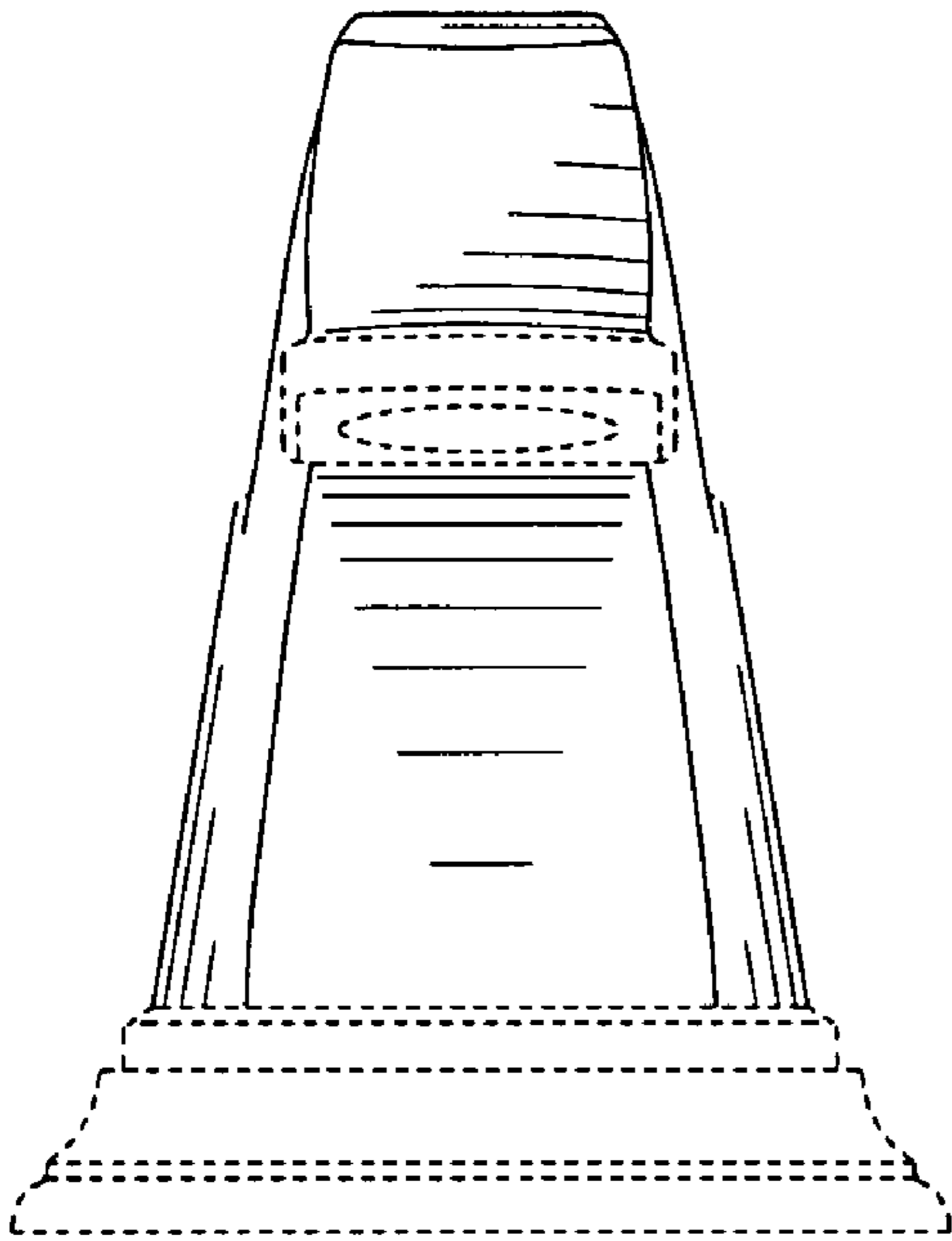


FIG. 2

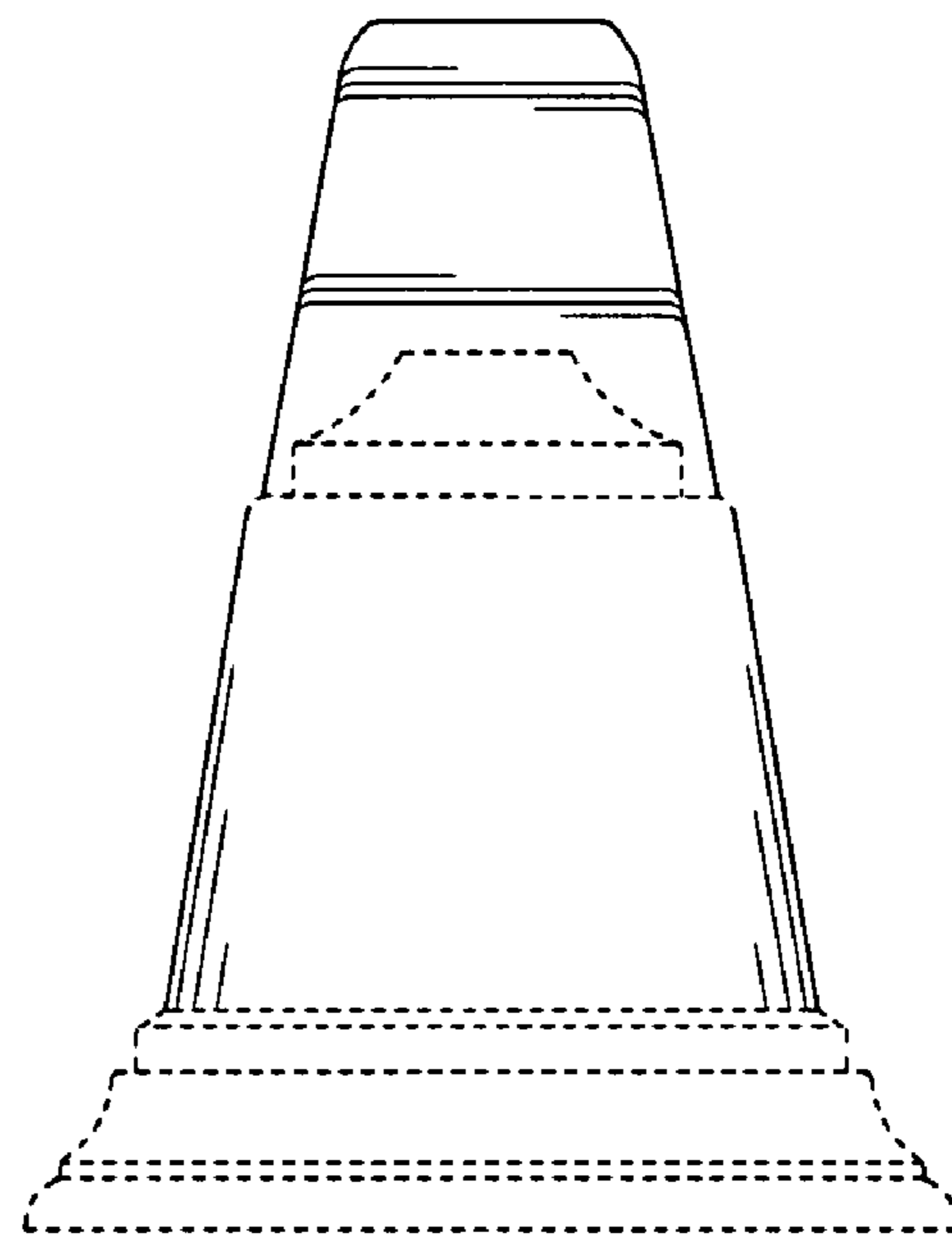


FIG. 3

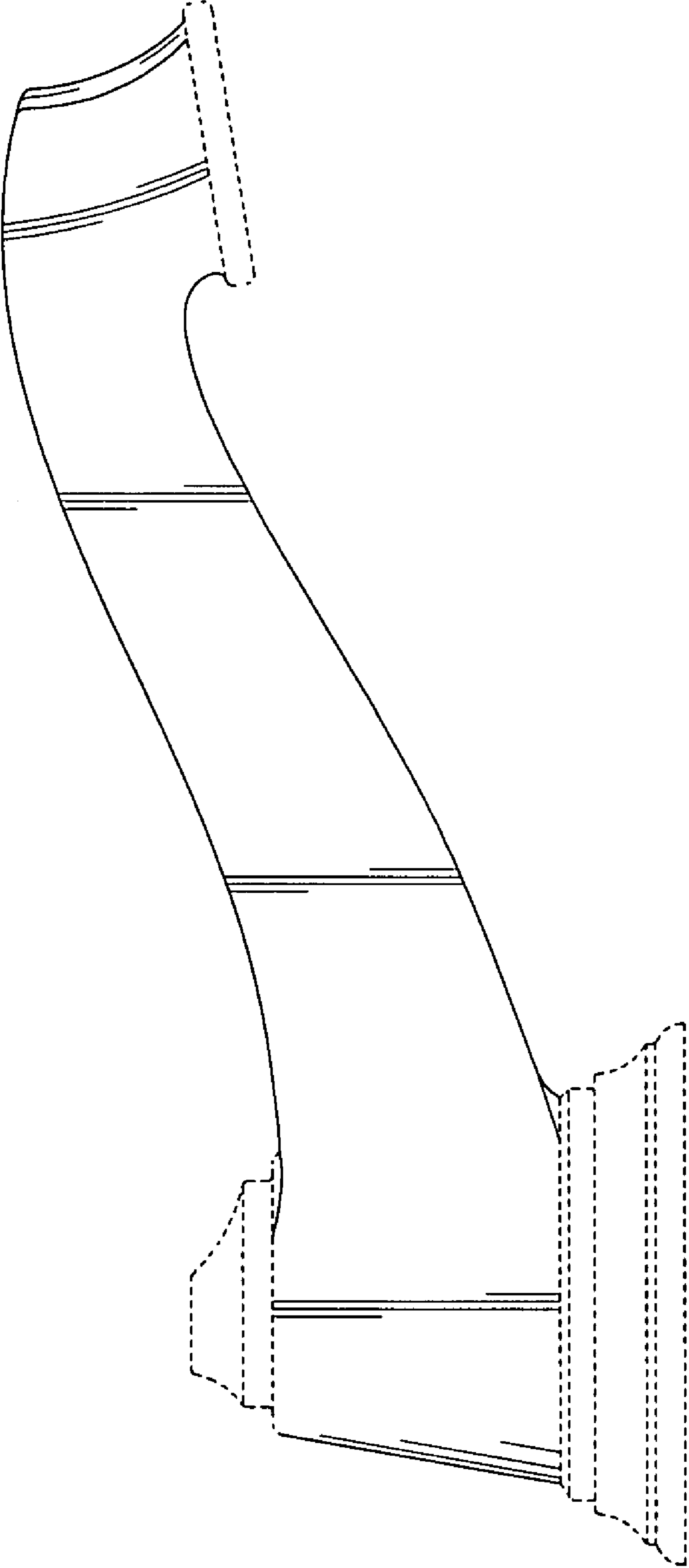


FIG. 4

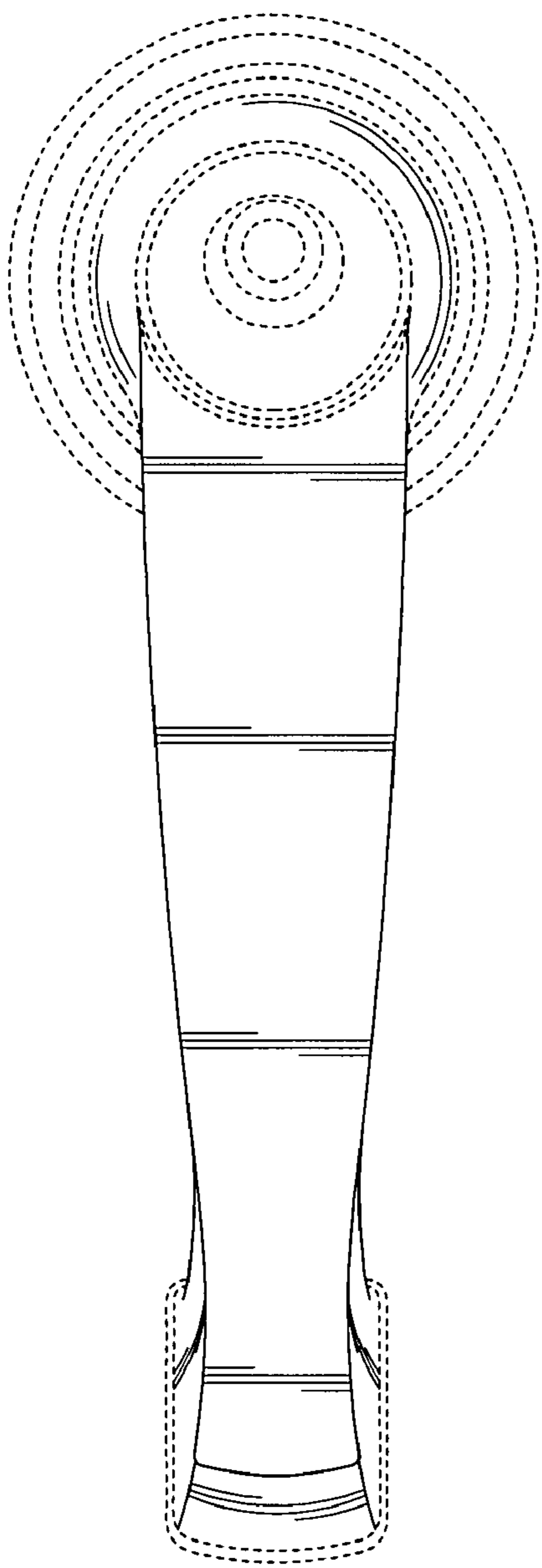


FIG. 5

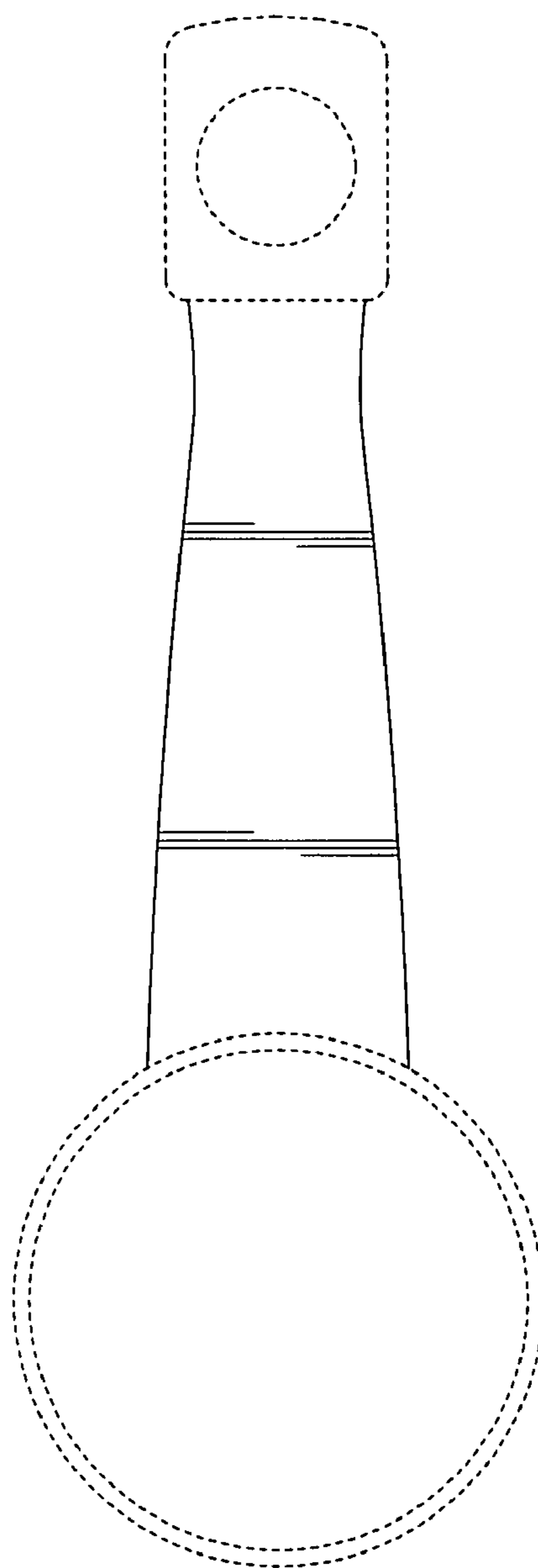


FIG. 6