



US00D581027S

(12) **United States Design Patent**
Dolan

(10) **Patent No.:** **US D581,027 S**
(45) **Date of Patent:** **** Nov. 18, 2008**

(54) **FAUCET SPOUT**

D554,236 S * 10/2007 Dolan D23/255

(76) **Inventor:** **Patrick S. Dolan**, 2700 NW. Front Ave.,
Portland, OR (US) 97210

(**) **Term:** **14 Years**

(21) **Appl. No.:** **29/289,701**

(22) **Filed:** **Jul. 26, 2007**

(51) **LOC (8) Cl.** **23-01**

(52) **U.S. Cl.** **D23/255**

(58) **Field of Classification Search** D23/255-257,
D23/238-243; 4/675-678; 137/801
See application file for complete search history.

(56) **References Cited**

U.S. PATENT DOCUMENTS

D285,597 S	9/1986	Miller et al.
D461,879 S	8/2002	Müllenmeister
D488,540 S	4/2004	Ouyoung
D490,880 S	6/2004	Lin
D541,388 S	4/2007	Dolan
D543,609 S	5/2007	Dolan

OTHER PUBLICATIONS

U.S. Appl. No. 29/270,969, filed Jan. 5, 2007, Patrick S. Dolan.

* cited by examiner

Primary Examiner—Robert A Delehanty

(57) **CLAIM**

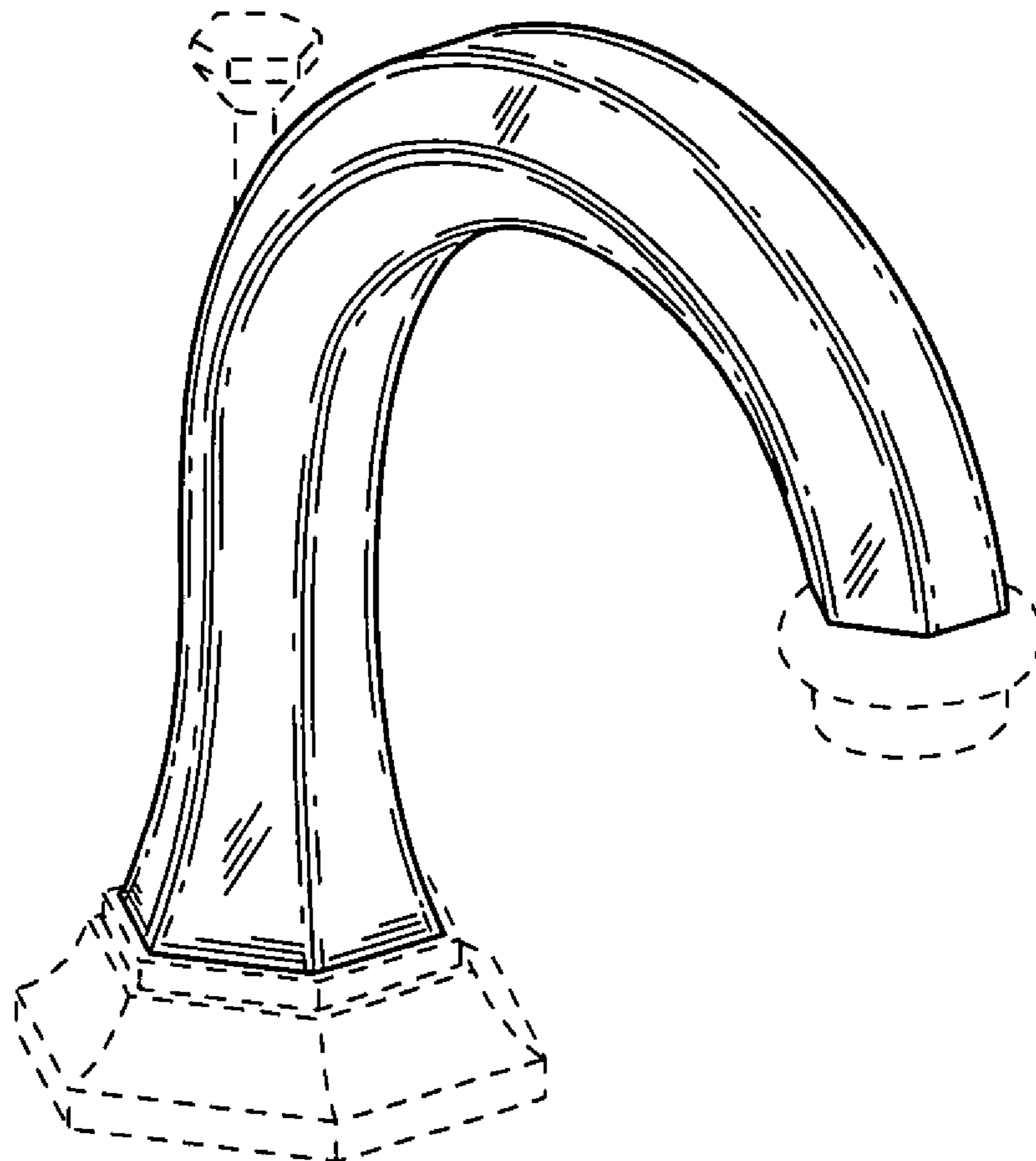
The ornamental design for a faucet spout, as shown and described.

DESCRIPTION

FIG. 1 is a perspective view thereof;
FIG. 2 is a front elevational view thereof;
FIG. 3 is a right side view, the left being a mirror image;
FIG. 4 is a back view thereof; and,
FIG. 5 is a top view.

The broken lines showing of environmental structure are for illustrative purposes only and form no part of the claimed design.

1 Claim, 5 Drawing Sheets



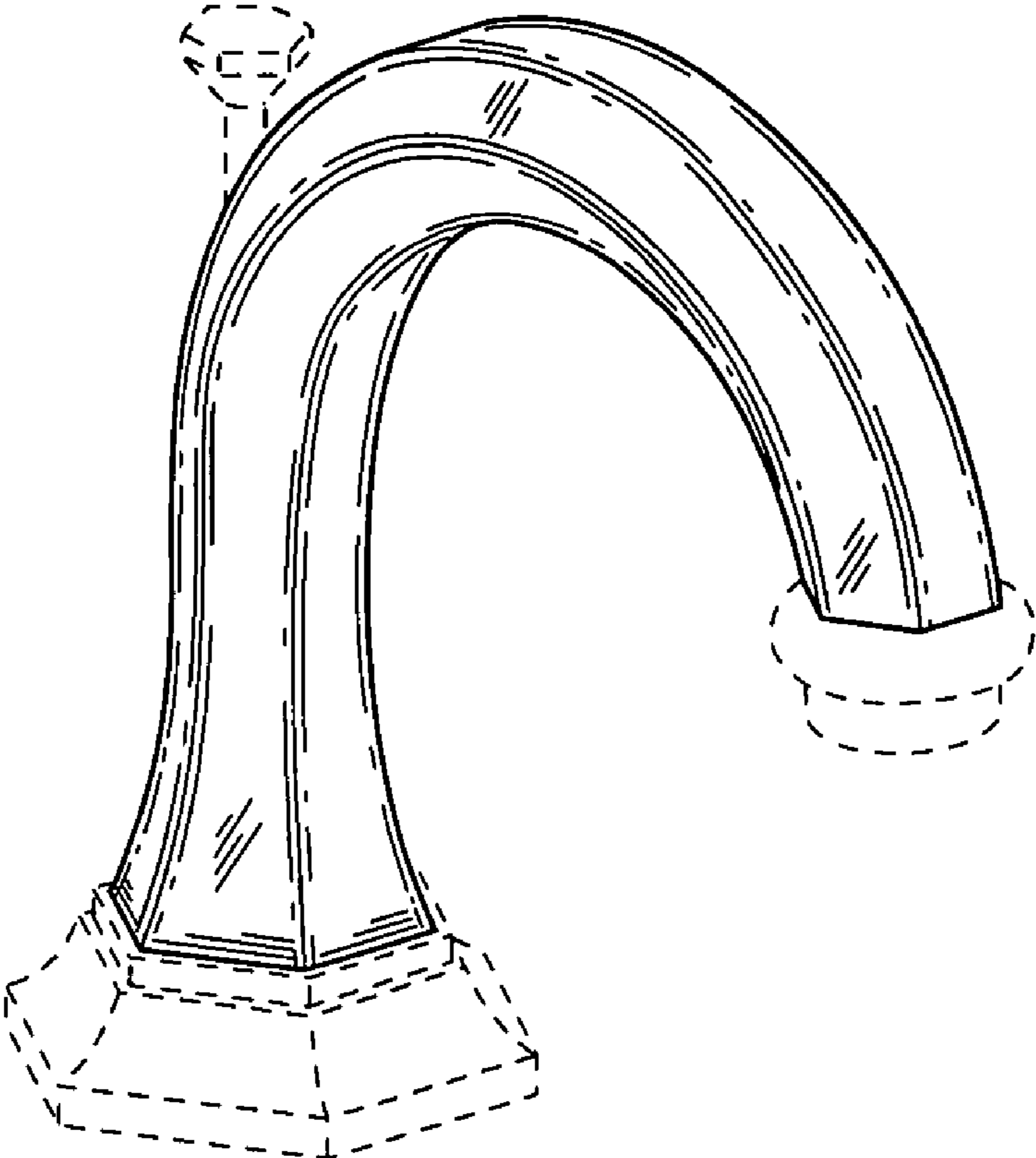


FIG. 1

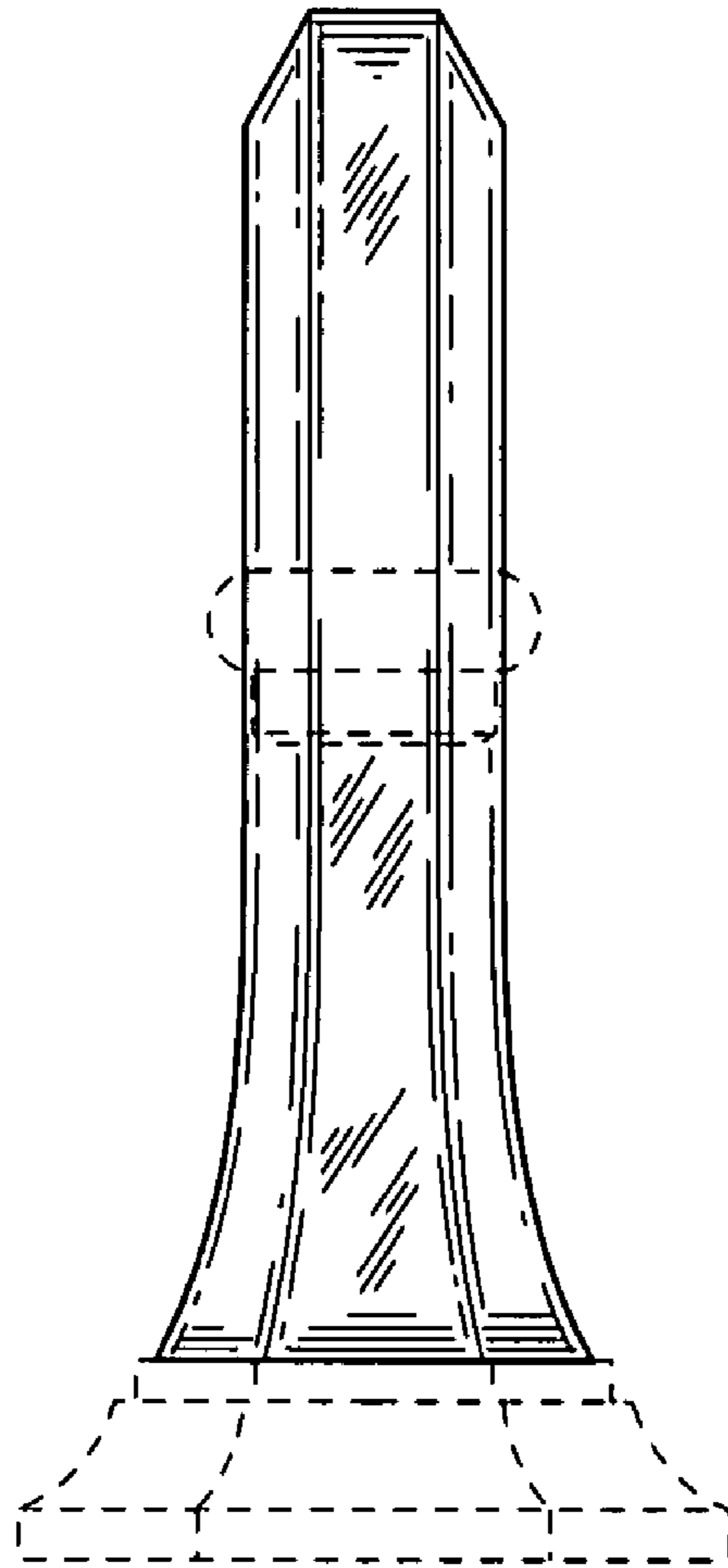


FIG. 2

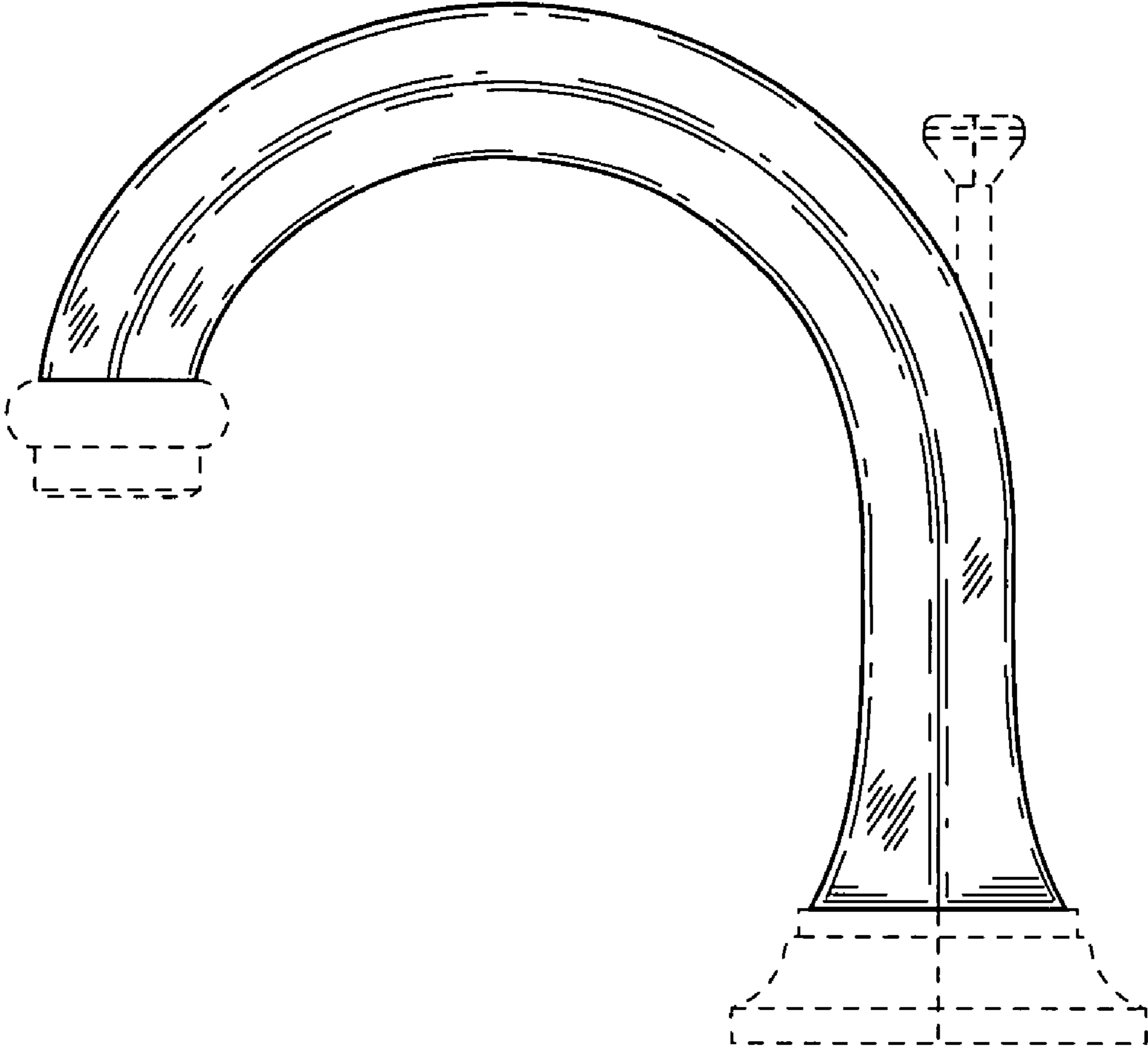


FIG. 3

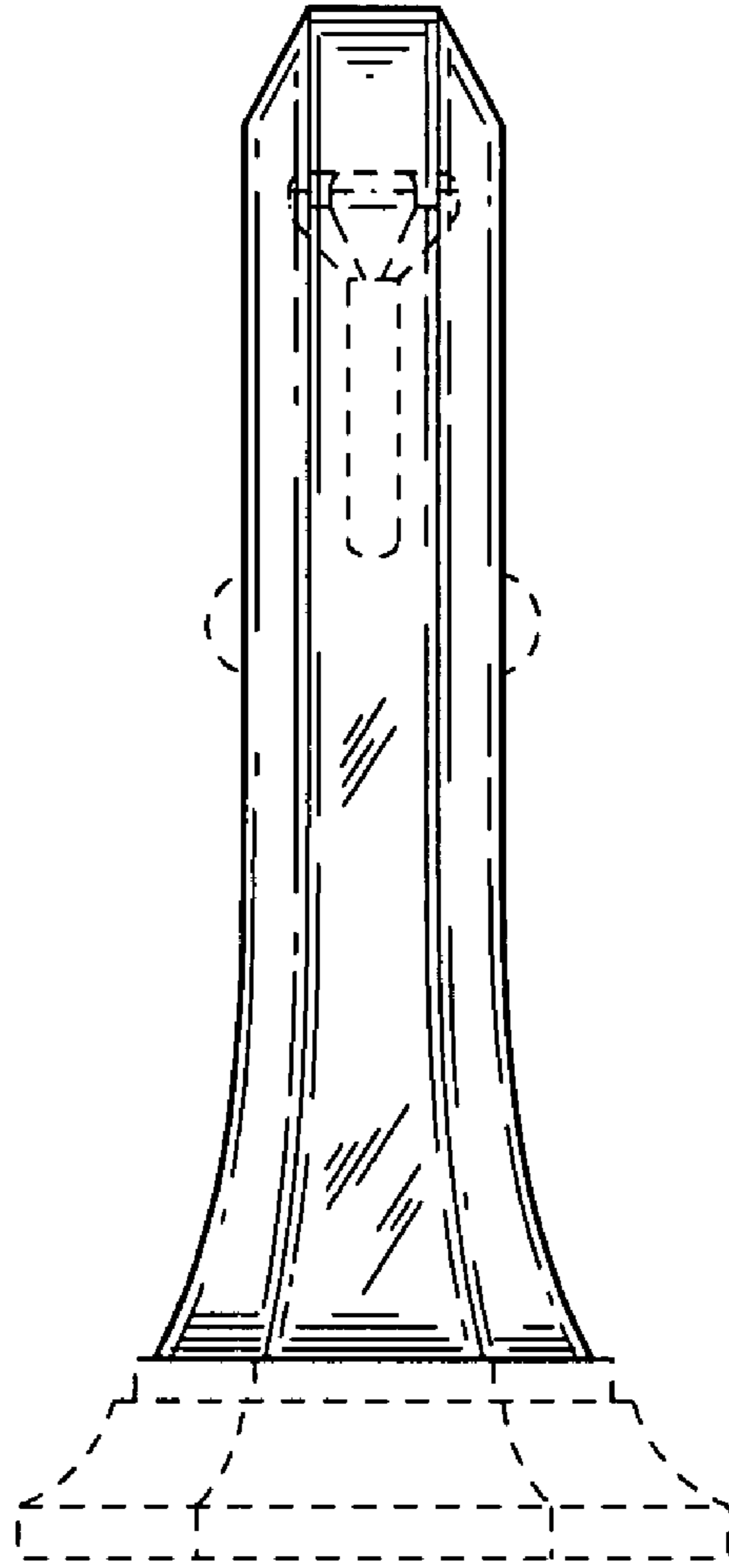


FIG. 4

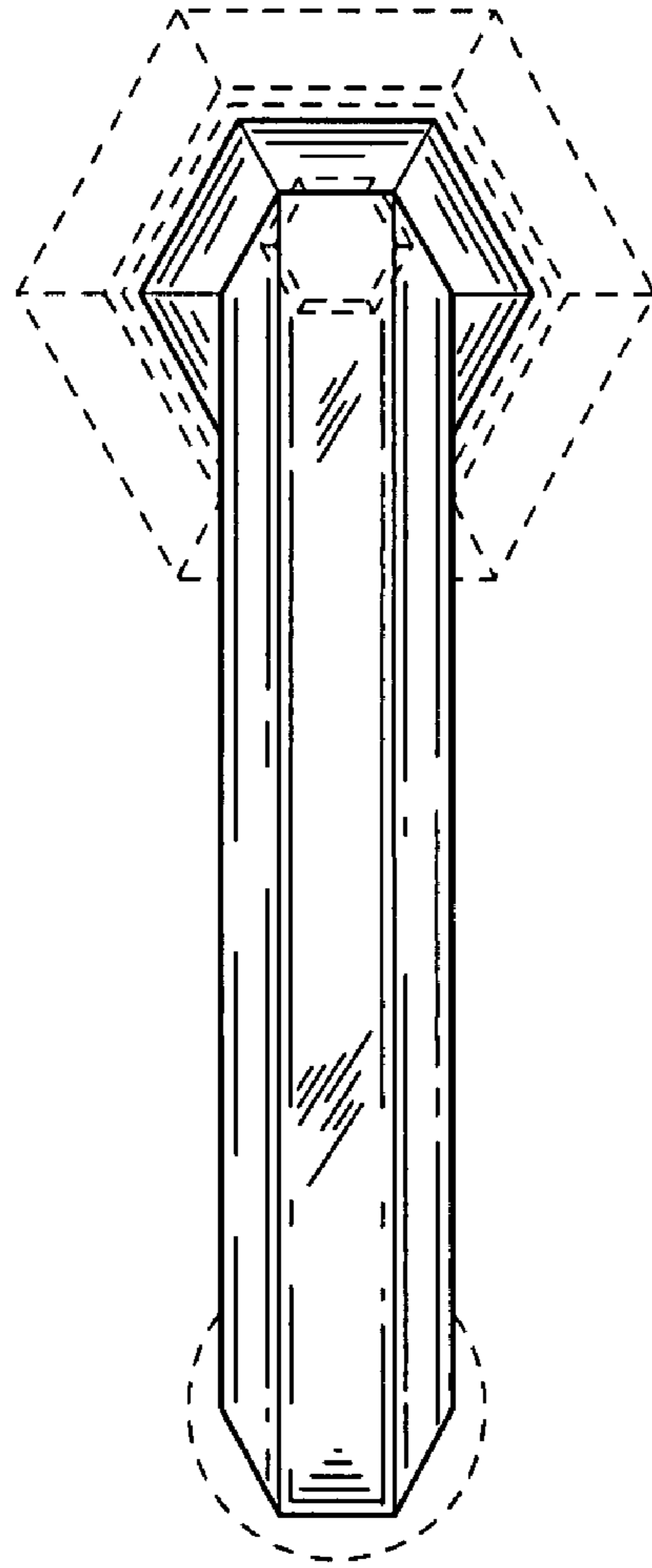


FIG. 5