



US00D581024S

(12) **United States Design Patent**  
**Dolan**

(10) **Patent No.:** **US D581,024 S**

(45) **Date of Patent:** **\*\* Nov. 18, 2008**

(54) **PART OF A FAUCET**

D569,953 S \* 5/2008 Dolan ..... D23/250  
D570,454 S \* 6/2008 Dolan ..... D23/250

(76) **Inventor:** **Patrick S. Dolan**, 2700 NW. Front Ave.,  
Portland, OR (US) 97210

**OTHER PUBLICATIONS**

(\*\*) **Term:** **14 Years**

Co-Pending U.S. Appl. No. 29/270,952, filed Jan. 5, 2007, Aihui Yuan.

(21) **Appl. No.:** **29/291,331**

Co-Pending U.S. Appl. No. 29/270,976, filed Jan. 5, 2007, Aihui Yuan.

(22) **Filed:** **Aug. 23, 2007**

Co-Pending U.S. Appl. No. 29/289,700, filed Jul. 26, 2007, Patrick S. Dolan and Aihui Yuan.

(51) **LOC (8) Cl.** ..... **23-01**

Co-Pending U.S. Appl. No. 29/289,699, filed Jul. 26, 2007, Aihui Yuan.

(52) **U.S. Cl.** ..... **D23/254**

\* cited by examiner

(58) **Field of Classification Search** ..... D23/250,  
D23/249, 252, 254, 238, 242; D8/300, 307,  
D8/308; 4/675-677; 16/110.1

*Primary Examiner*—Robin V Webster

See application file for complete search history.

(57) **CLAIM**

(56) **References Cited**

The ornamental design for a part of a faucet, shown and described.

**U.S. PATENT DOCUMENTS**

**DESCRIPTION**

D83,924 S	4/1931	Sakier	
D455,196 S	4/2002	Caplow	
D456,063 S	4/2002	McKeone	
D466,985 S	12/2002	McKeone	
D493,213 S	7/2004	Svendsen	
D496,717 S	9/2004	Svendsen	
D503,967 S *	4/2005	Otero	..... D23/252
D520,607 S	5/2006	Koury	
D522,103 S	5/2006	Hoernig	
D522,624 S	6/2006	Koury	
D533,643 S	12/2006	Veltz	
D563,525 S *	3/2008	Zhu	..... D23/242

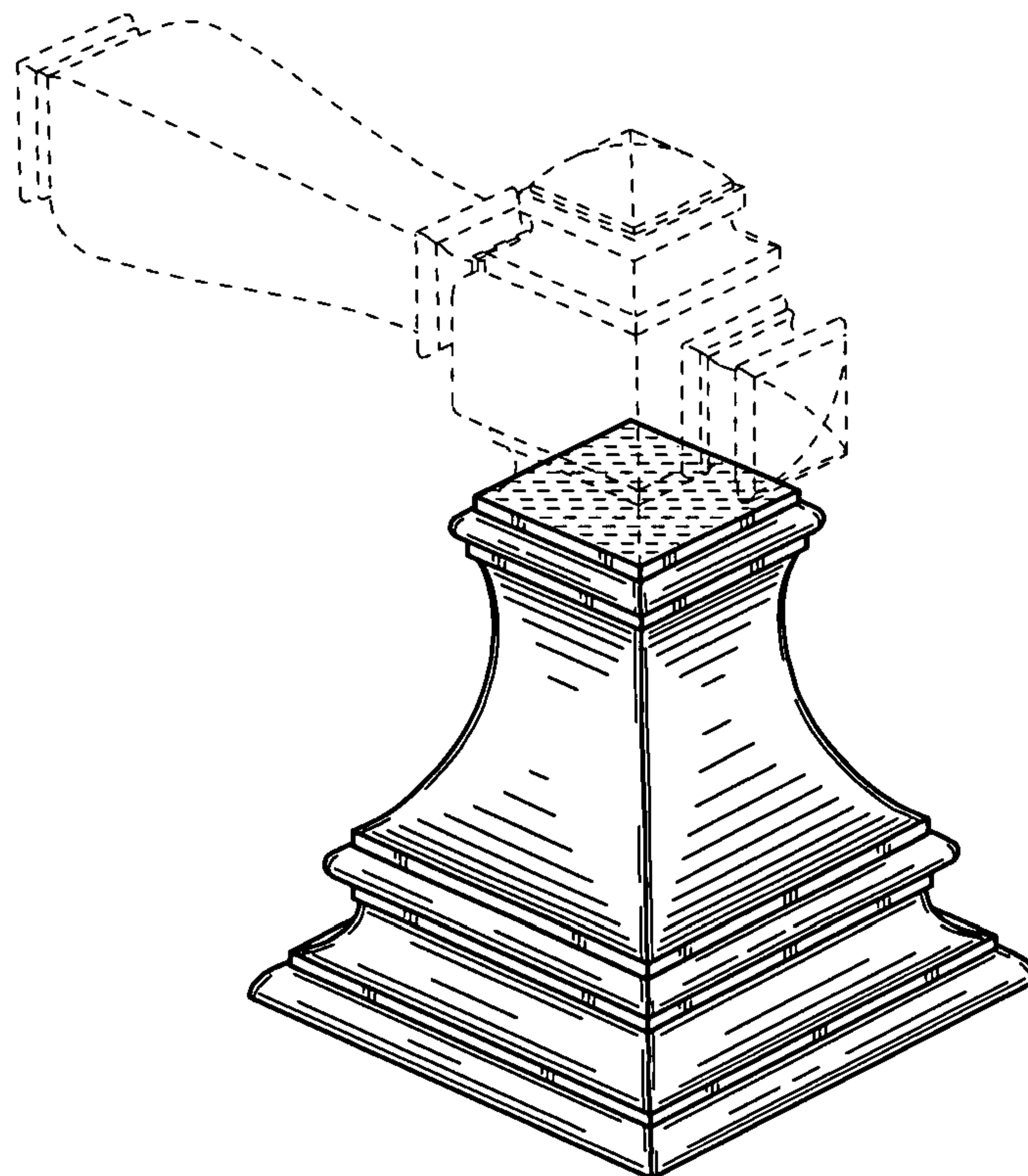
FIG. 1 is a perspective view thereof;

FIG. 2 is an front elevational view, all sides being identical; and,

FIG. 3 is a top view thereof.

The broken lines showing of environmental structure are for illustrative purposes only and form no part of the claimed design.

**1 Claim, 3 Drawing Sheets**



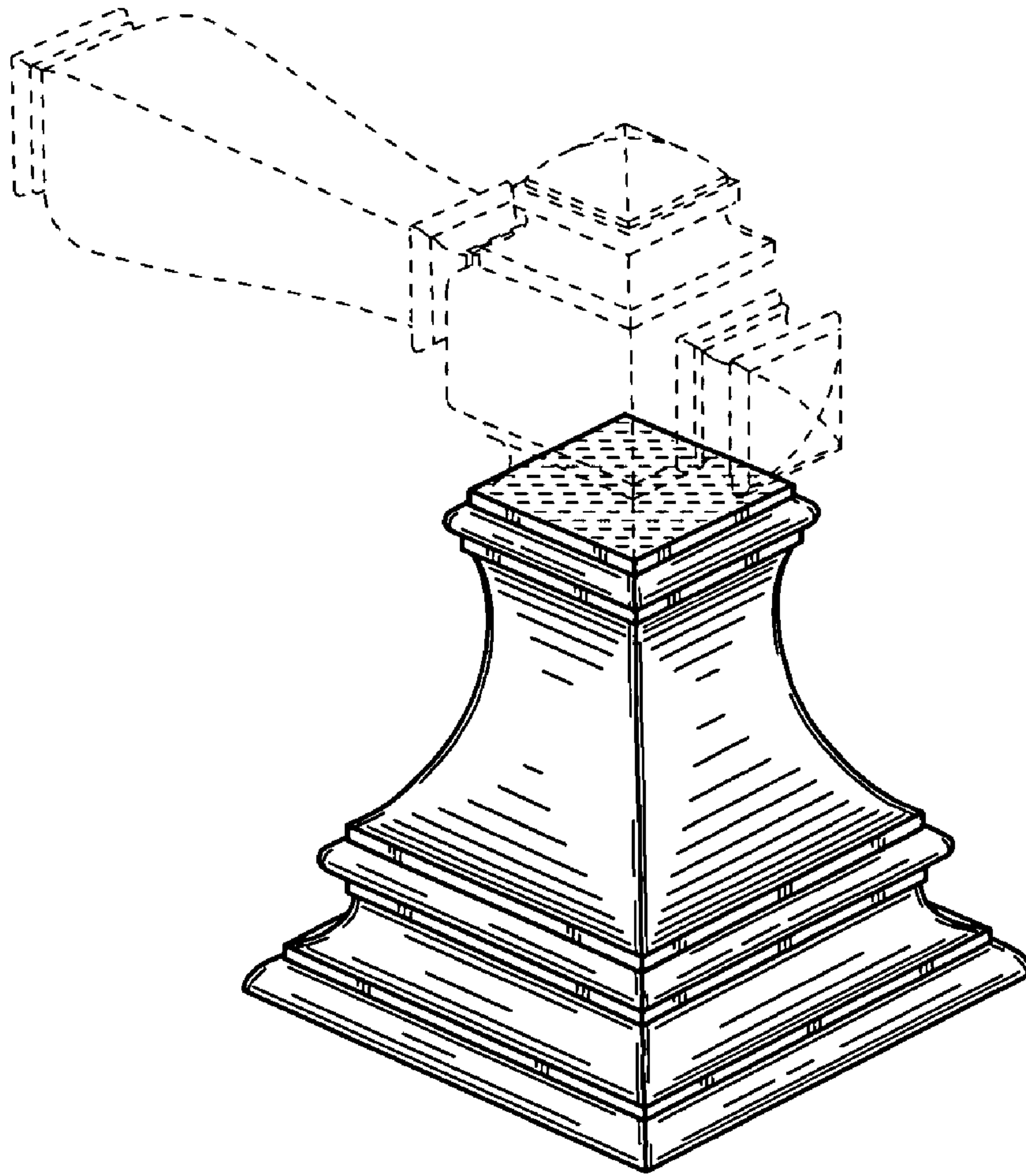


FIG. 1

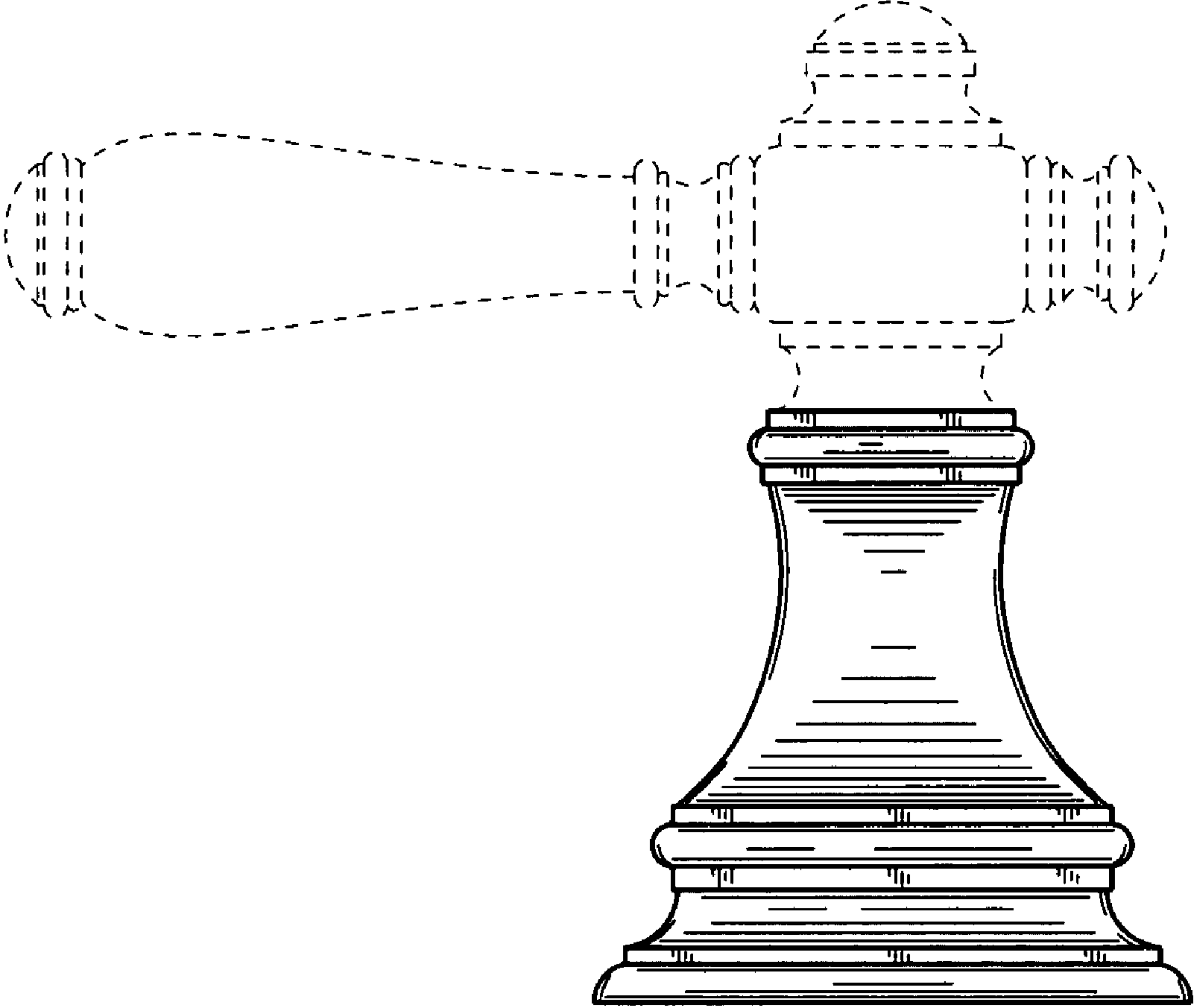


FIG. 2

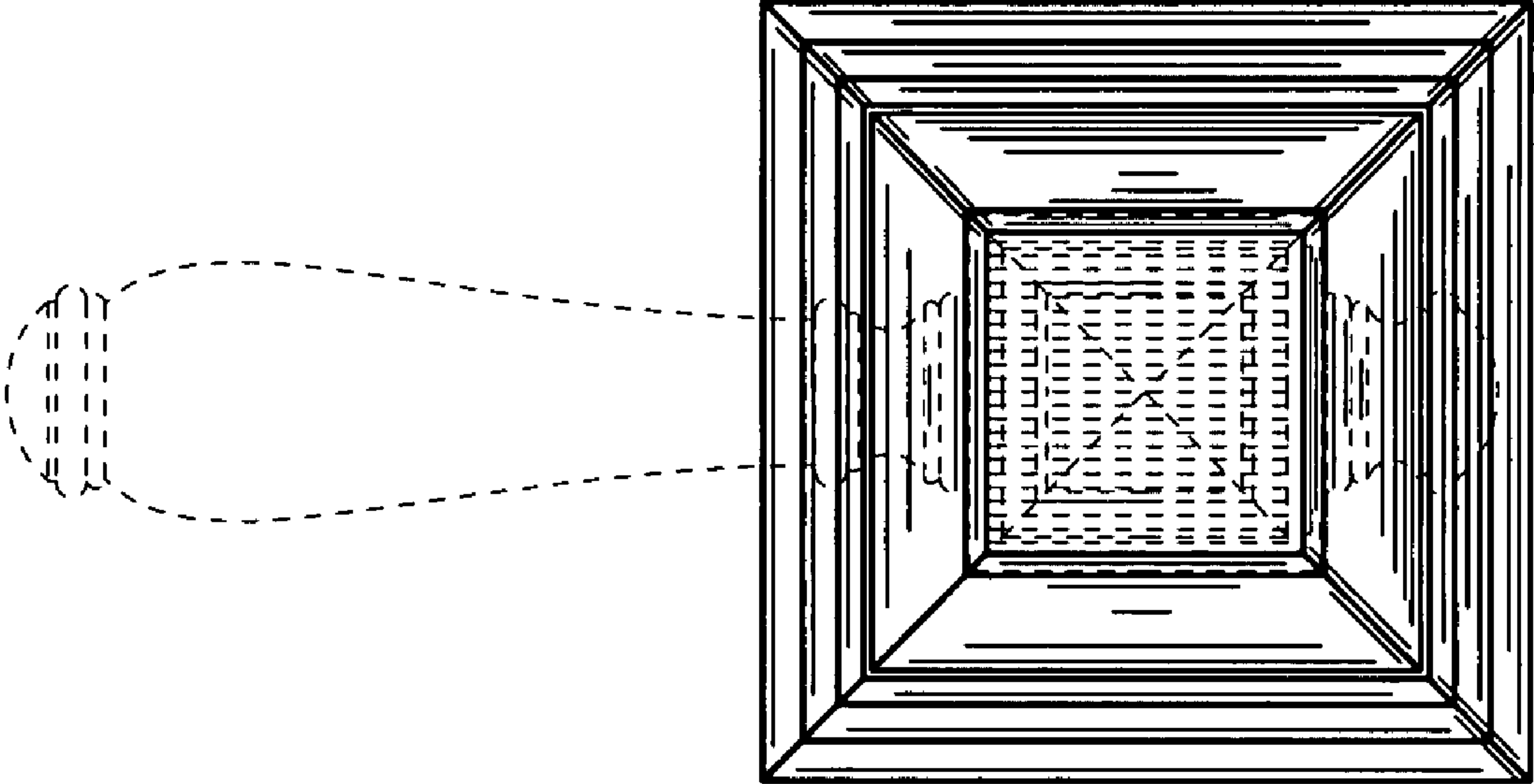


FIG. 3