



US00D581022S

(12) **United States Design Patent**  
**Gilbert**

(10) **Patent No.:** **US D581,022 S**

(45) **Date of Patent:** **\*\* Nov. 18, 2008**

(54) **HANDLE**

(75) Inventor: **Christopher Jon Gilbert**, Moreland Hills, OH (US)

(73) Assignee: **Moen Incorporated**, North Olmsted, OH (US)

(\*\*) Term: **14 Years**

(21) Appl. No.: **29/291,957**

(22) Filed: **Sep. 21, 2007**

(51) **LOC (8) Cl.** ..... **23-01**

(52) **U.S. Cl.** ..... **D23/250**

(58) **Field of Classification Search** ..... D23/250,  
D23/249, 252, 254, 238, 242; D8/300, 307,  
D8/308; 4/675-677; 16/110.1  
See application file for complete search history.

(56) **References Cited**

**U.S. PATENT DOCUMENTS**

D219,781 S	1/1971	Niemann	
D265,229 S	6/1982	Paul	
D279,213 S	6/1985	Paul	
D290,871 S	7/1987	Paul	
D323,021 S *	1/1992	Kohler et al. ....	D23/252
D324,416 S	3/1992	Stairs, Jr. et al.	
D347,268 S *	5/1994	Paul .....	D23/252
D351,455 S	10/1994	Paul	

D512,488 S	12/2005	Kulig	
D515,671 S	2/2006	Toyohara	
D523,532 S	6/2006	Schaffeld et al.	
D523,932 S	6/2006	Schaffeld et al.	
D529,141 S *	9/2006	Green .....	D23/252
D531,483 S *	11/2006	Kosasih .....	D8/308
D560,464 S *	1/2008	Rexach .....	D8/308
D562,437 S *	2/2008	Jaeb .....	D23/252

\* cited by examiner

*Primary Examiner*—Robin V Webster

(74) *Attorney, Agent, or Firm*—Calfee, Halter & Griswold LLP

(57) **CLAIM**

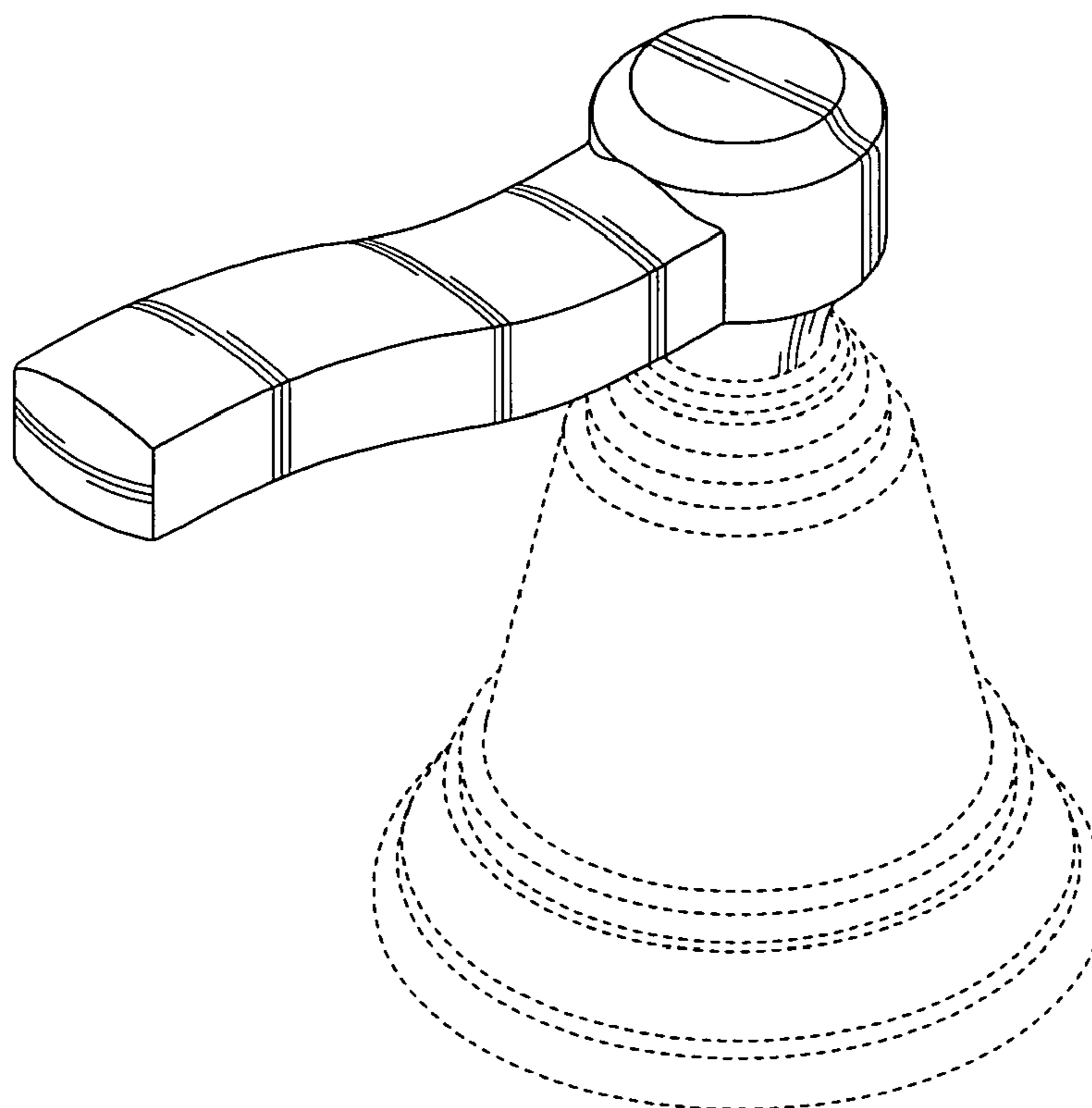
The ornamental design for a handle, as shown and described.

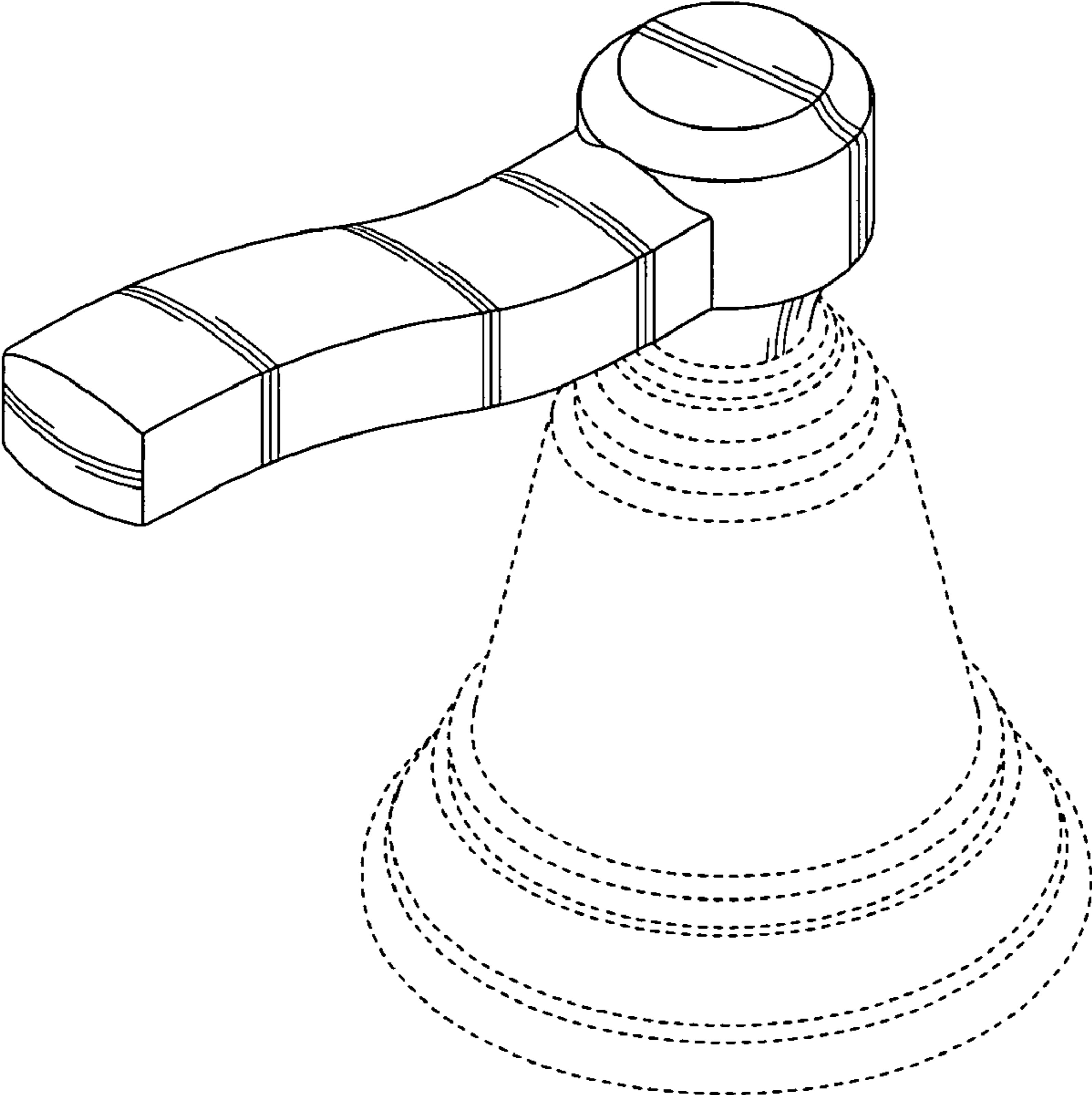
**DESCRIPTION**

FIG. 1 is a perspective view of a handle of the new design; FIG. 2 is a front elevational view of the handle of FIG. 1, the rear elevational view being a mirror image; FIG. 3 is a left side elevational view of the handle of FIG. 1; FIG. 4 is a right side elevational view of the handle of FIG. 1; FIG. 5 is a top plan view of the handle of FIG. 1; and, FIG. 6 is a bottom plan view of the handle of FIG. 1.

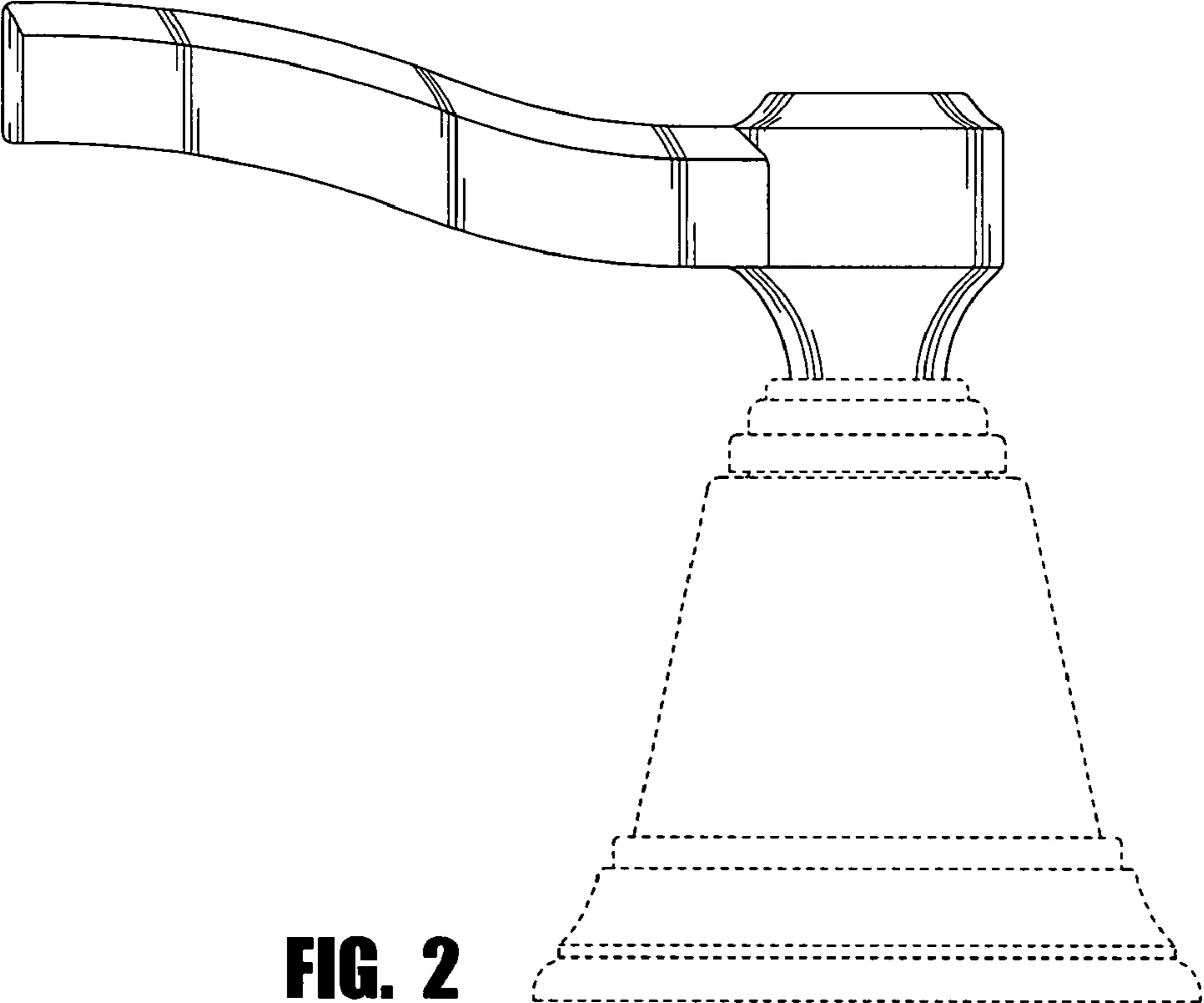
The portions of the Figures shown in broken lines are not part of the claimed design and are for illustration only.

**1 Claim, 3 Drawing Sheets**

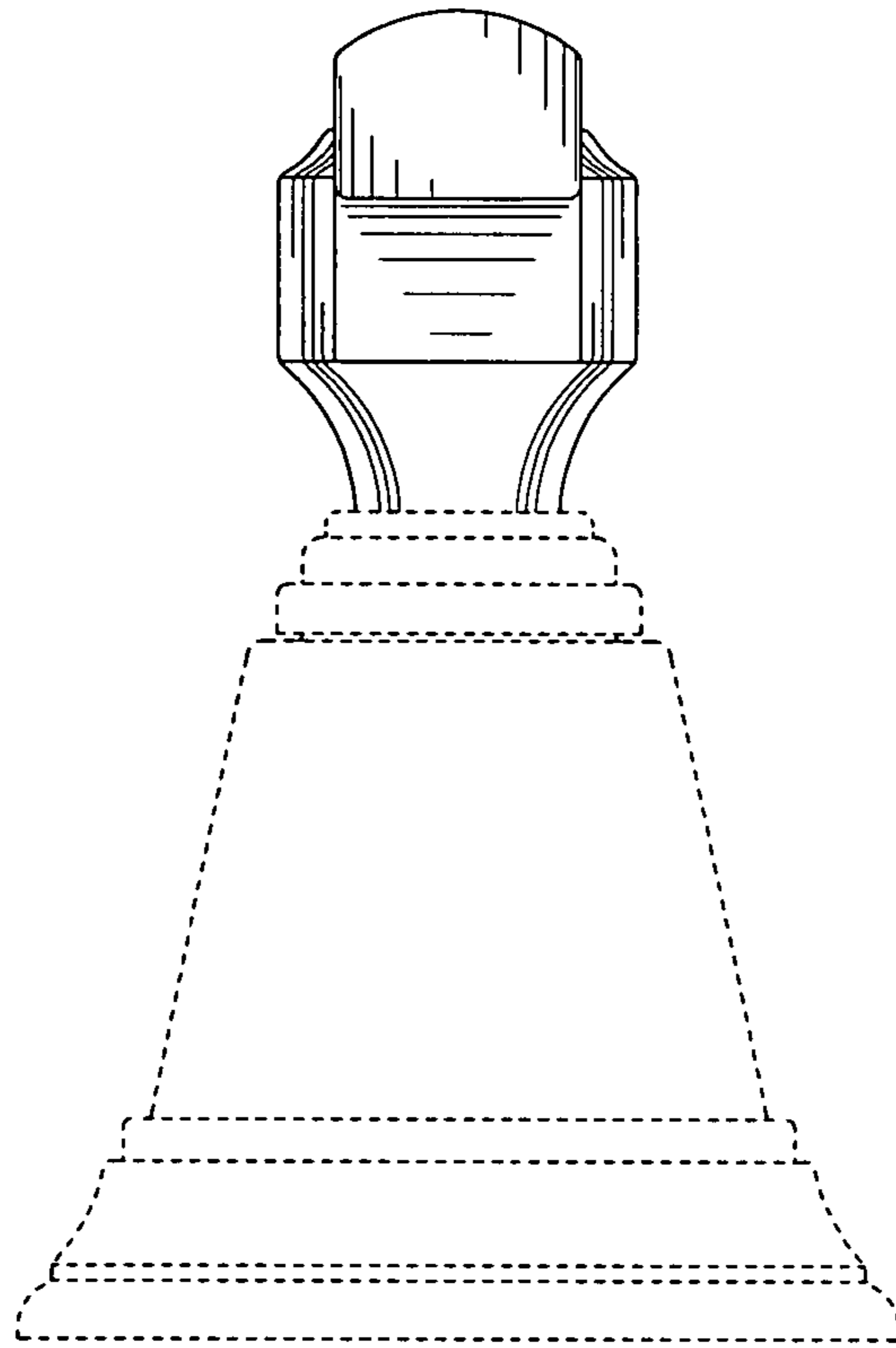




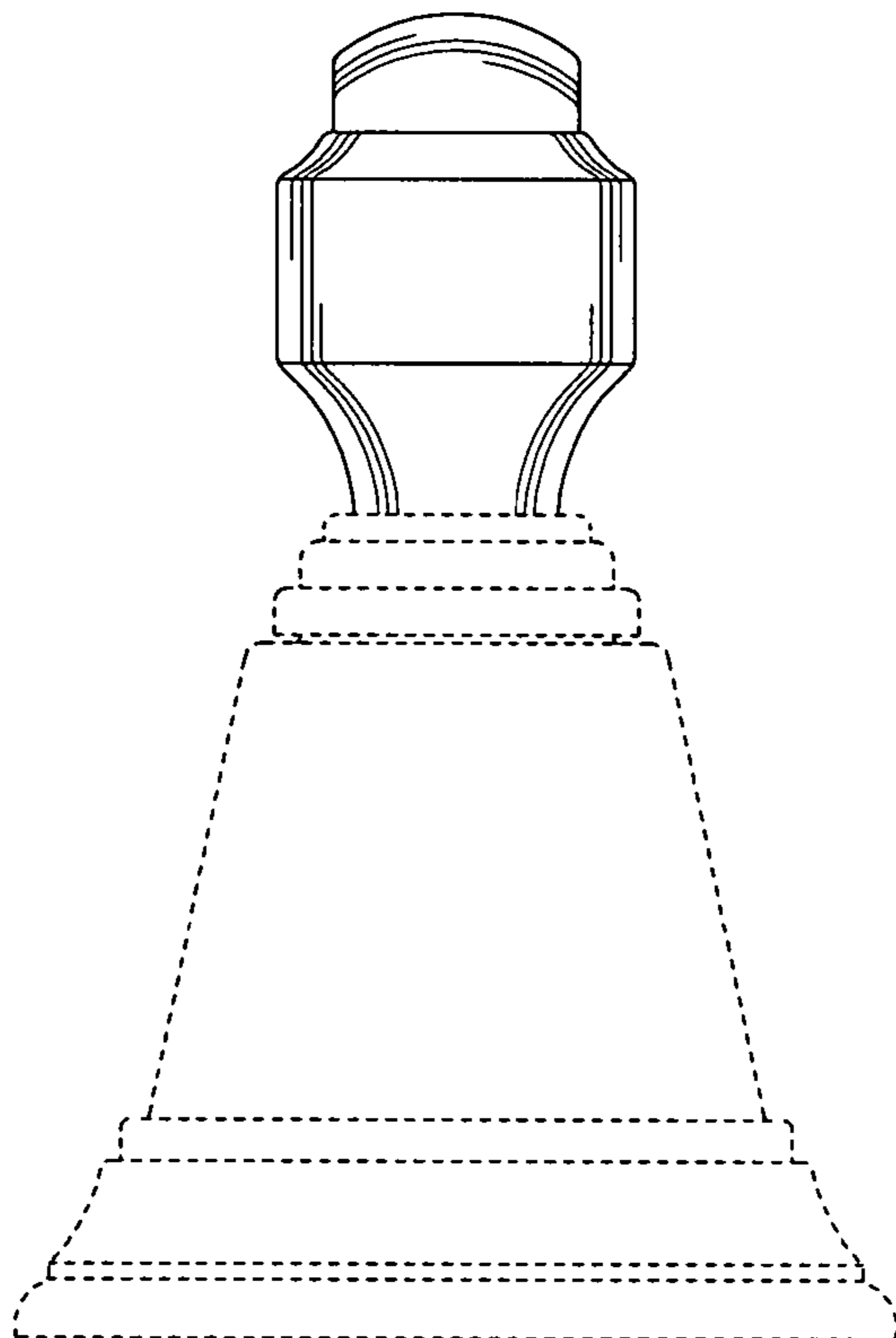
**FIG. 1**



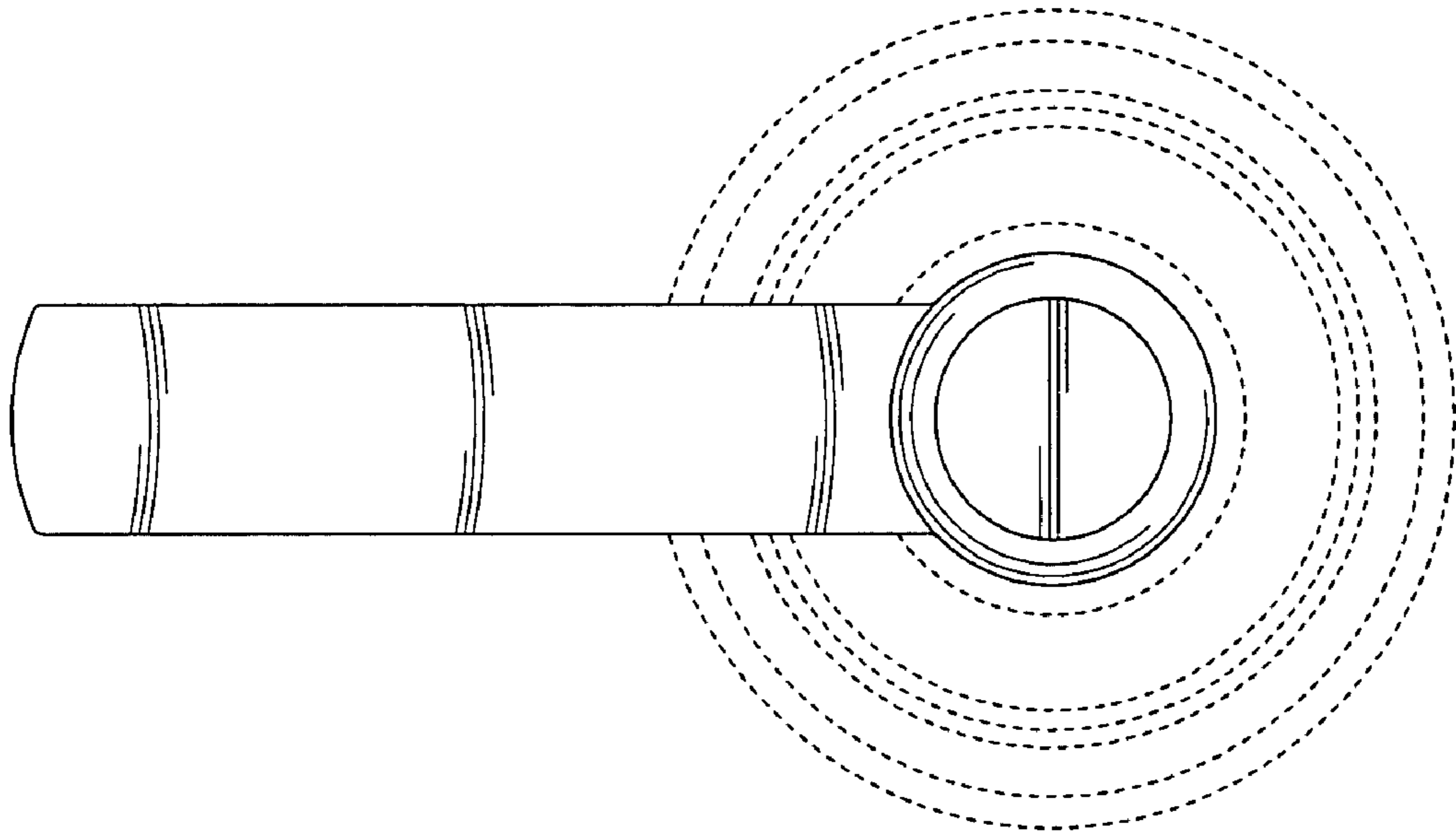
**FIG. 2**



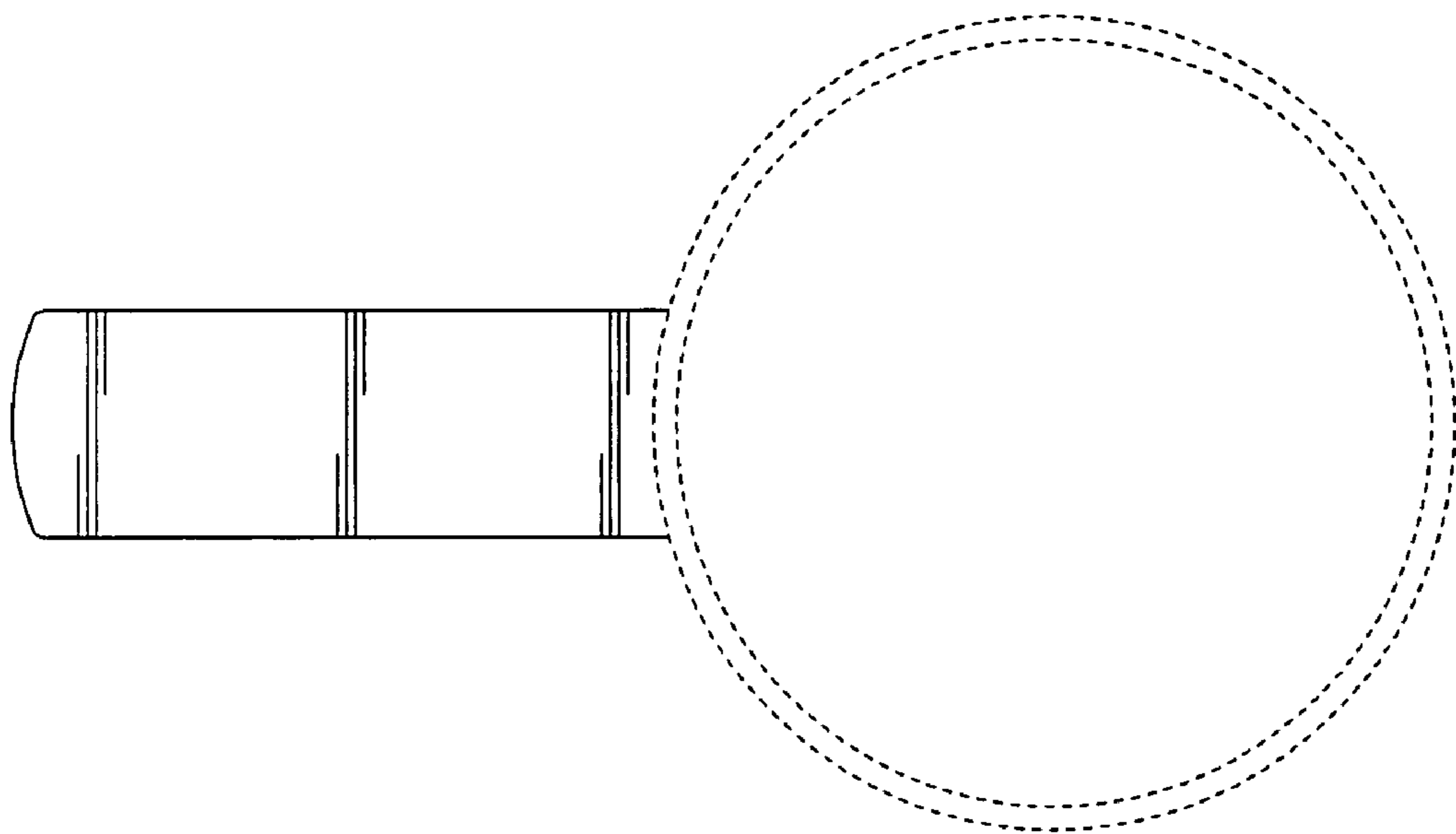
**FIG. 3**



**FIG. 4**



**FIG. 5**



**FIG. 6**